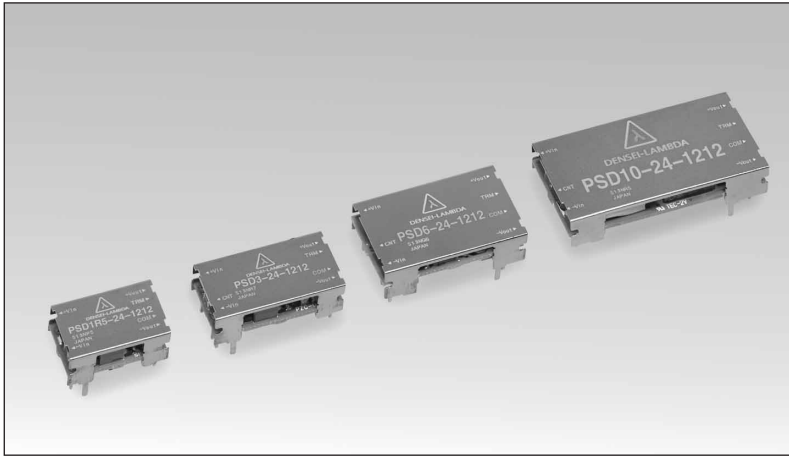


PSD-SERIES

Dual output DC-DC converter 1.5W ~ 10W

LAMBDA
DENSEI-LAMBDA



Model name

PSD 3 - 5 - 1212

Series name Output power Input voltage Output voltage

Features

- RoHS Compatible Design (5th Generation Concept)
- Suitable for computer, telecommunication, FA control, Amusement application
- Wide operating temperature (-40 to 85degC with derating)
- Long Life design: Employ only ceramic capacitor.
- SMT type is coming soon.

Safety standard

UL60950-1, CSA60950-1 EN60950-1

PSD1R5 (1.5W type) Specifications

Model		PSD1R5-5-1212		PSD1R5-12-1212		PSD1R5-24-1212		PSD1R5-48-1212	
Input Voltage	VDC	5VDC(4.5-9.0V)		12VDC(9-18V)		24VDC(18-36V)		48VDC(36-76V)	
Output Voltage	VDC	± 12V	± 15V	± 12V	± 15V	± 12V	± 15V	± 12V	± 15V
Output Current	mA	± 65	± 52	± 65	± 52	± 65	± 52	± 65	± 52
Output Power	W	1.56	1.56	1.56	1.56	1.56	1.56	1.56	1.56

PSD3 (3W type) Specifications

Model		PSD3-5-1212		PSD3-12-1212		PSD3-24-1212		PSD3-48-1212	
Input Voltage	VDC	5VDC(4.5-9.0V)		12VDC(9-18V)		24VDC(18-36V)		48VDC(36-76V)	
Output Voltage	VDC	± 12V	± 15V	± 12V	± 15V	± 12V	± 15V	± 12V	± 15V
Output Current	mA	± 130	± 104	± 130	± 104	± 130	± 104	± 130	± 104
Output Power	W	3.12	3.12	3.12	3.12	3.12	3.12	3.12	3.12

PSD6 (6W type) Specifications

Model		PSD6-5-1212		PSD6-12-1212		PSD6-24-1212		PSD6-48-1212	
Input Voltage	VDC	5VDC(4.5-9.0V)		12VDC(9-18V)		24VDC(18-36V)		48VDC(36-76V)	
Output Voltage	VDC	± 12V	± 15V	± 12V	± 15V	± 12V	± 15V	± 12V	± 15V
Output Current	mA	± 250	± 200	± 250	± 200	± 250	± 200	± 250	± 200
Output Power	W	6.0	6.0	6.0	6.0	6.0	6.0	6.0	6.0

PSD10 (10W type) Specifications

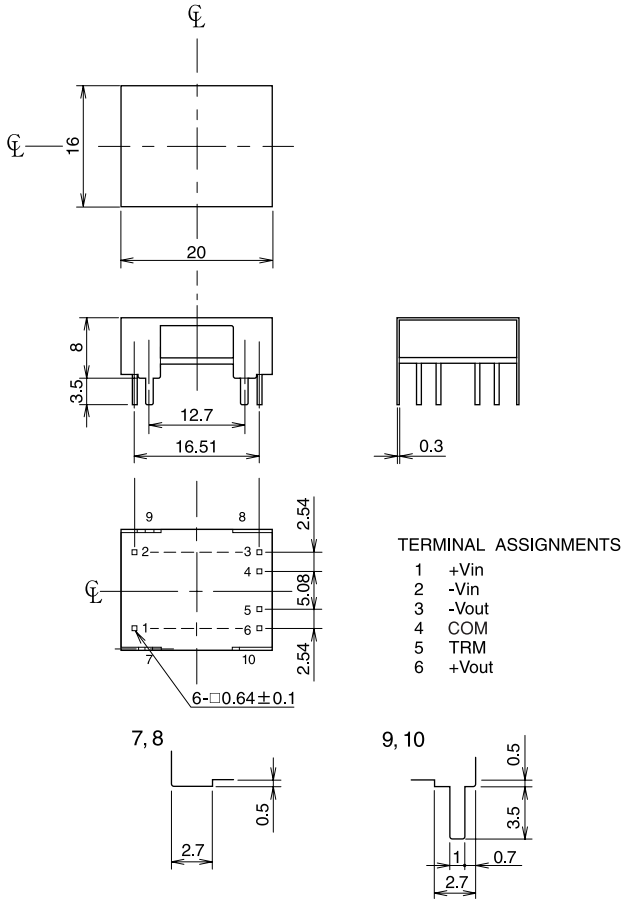
Model		PSD10-5-1212		PSD10-12-1212		PSD10-24-1212		PSD10-48-1212	
Input Voltage	VDC	5VDC(4.5-9.0V)		12VDC(9-18V)		24VDC(18-36V)		48VDC(36-76V)	
Output Voltage	VDC	± 12V	± 15V	± 12V	± 15V	± 12V	± 15V	± 12V	± 15V
Output Current	mA	± 350	± 280	± 500	± 400	± 500	± 400	± 500	± 400
Output Power	W	8.4	8.4	12.0	12.0	12.0	12.0	12.0	12.0

Common specifications

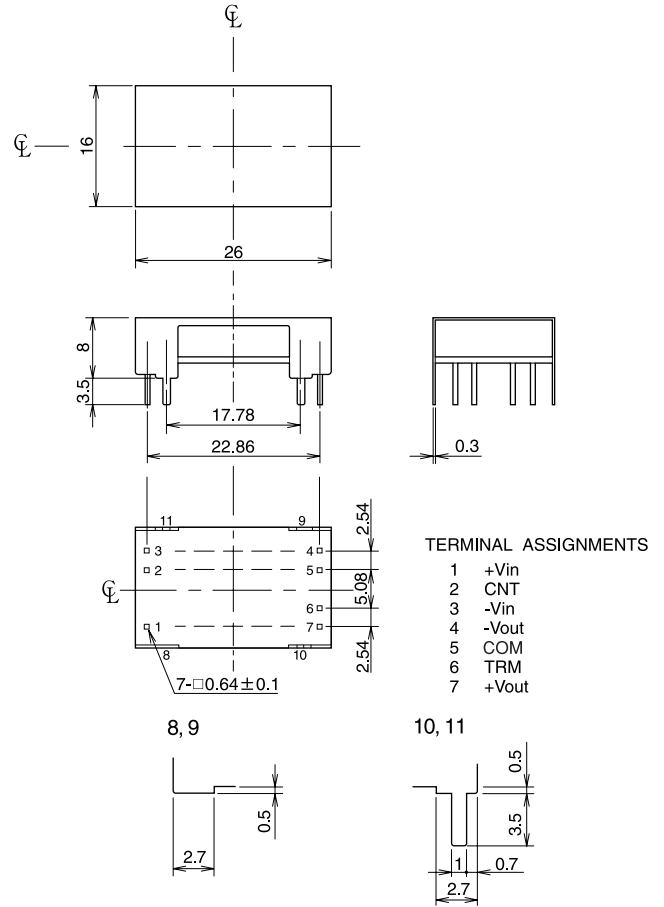
Withstand Voltage	Input-Output, Input-case : 500VAC for 1 min (20mA)
Cooling	Convection Cooling / Forced air cooling
Operating Temperature	-40°C ~ +85°C with derating
Over Current Protection	Yes. Constant current limiting with automatic recovery.

Outline drawing

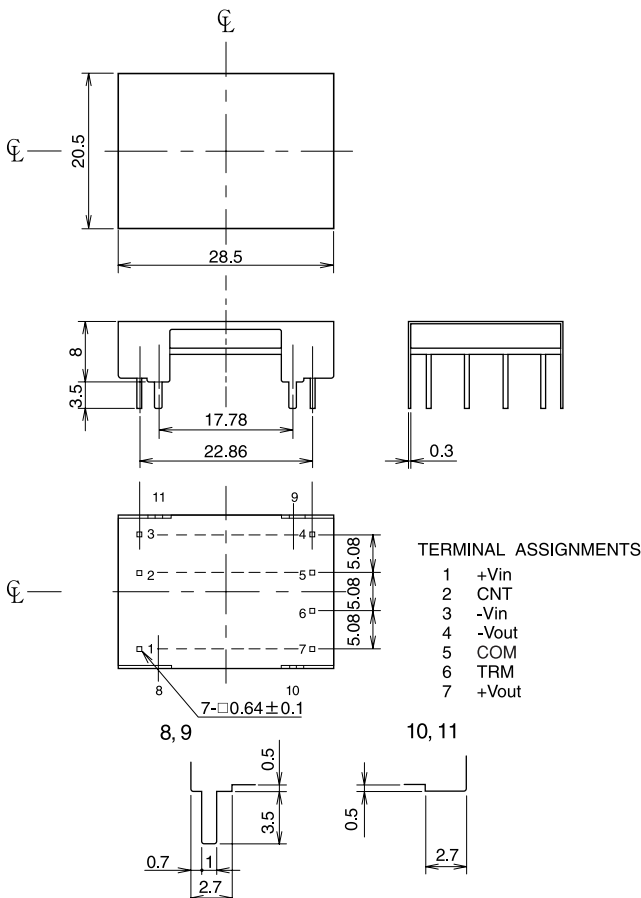
• PSD1R5 (1.5W type)



• PSD3 (3W type)



• PSD6 (6W type)



• PSD10 (10W type)

