

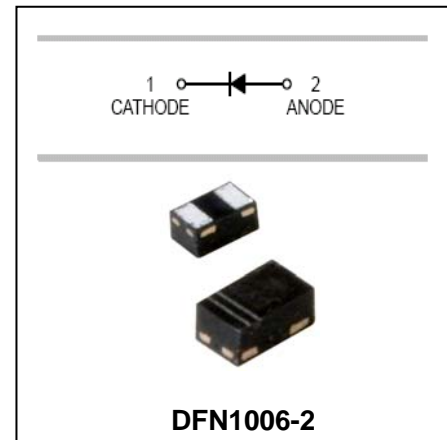
Surface mount switching diode **BAV19L/ BAV20L/ BAV21L**

FEATURES

- Fast Switching Speed.
- Surface Mount Package Ideally Suited For Automatic Insertion
- For General Purpose Switching Applications.



Lead-free



APPLICATIONS

- Surface mount fast switching diode

ORDERING INFORMATION

Type No.	Marking	Package Code
BAV19L	A8	DFN1006-2
BAV20L	T2	DFN1006-2
BAV21L	T3	DFN1006-2

MAXIMUM RATING @ Ta=25°C unless otherwise specified

Characteristic	Symbol	BAV19L	BAV20L	BAV21L	Unit
Non-Repetitive Peak Reverse Voltage	V_{RM}	120	200	250	V
Peak Repetitive Reverse Voltage	V_{RRM}				
Working Peak Reverse Voltage	V_{RWM}	100	150	200	V
DC Reverse Voltage	V_R				
RMS Reverse Voltage	$V_{R(RMS)}$	71	106	141	V
Forward Continuous Current	I_{FM}	400			mA
Average Rectified Output Current	I_o	200			mA
Non-Repetitive Peak Forward Surge Current @t=1.0 μs	I_{FSM}	2.5			A
@t=1.0 s		0.5			
Repetitive Peak Forward Surge Current	I_{FRM}	625			mA
Power Dissipation	P_d	200			mW
Thermal Resistance Junction to Ambient Air	$R_{\theta JA}$	500			°C/W
Operating and Storage Temperature Range	T_J, T_{STG}	-65 to +150			°C

Surface mount switching diode **BAV19L/ BAV20L/ BAV21L**

ELECTRICAL CHARACTERISTICS @ Ta=25°C unless otherwise specified

Characteristic	Symbol	Min	Max	Unit	Test Condition
Reverse Breakdown Voltage BAV19L BAV20L BAV21L	$V_{(BR)R}$	120 200 250		V	$I_R=100\mu A$
Maximum Forward Voltage	V_{F1} V_{F2}	-	1.0 1.25	V	$I_F=100mA$ $I_F=200mA$
Reverse Current BAV19L BAV20L BAV21L	I_R	-	0.1	μA	$V_R=100V$ $V_R=150V$ $V_R=200V$
Junction Capacitance	C_j	-	5.0	pF	$V_R=0, f=1.0MHz$
Reverse Recovery Time	t_{rr}	-	50	ns	$I_F=I_R=30mA,$ $t_{rr}=0.1 \times I_R, R_L=100\Omega$

TYPICAL CHARACTERISTICS @ Ta=25°C unless otherwise specified

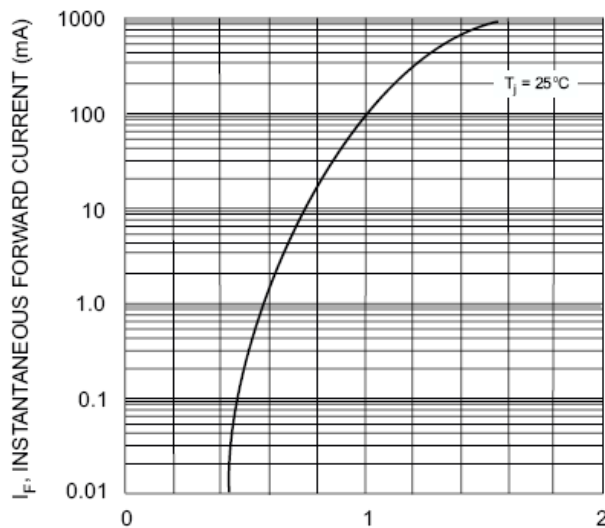


Fig. 1 Forward Characteristics

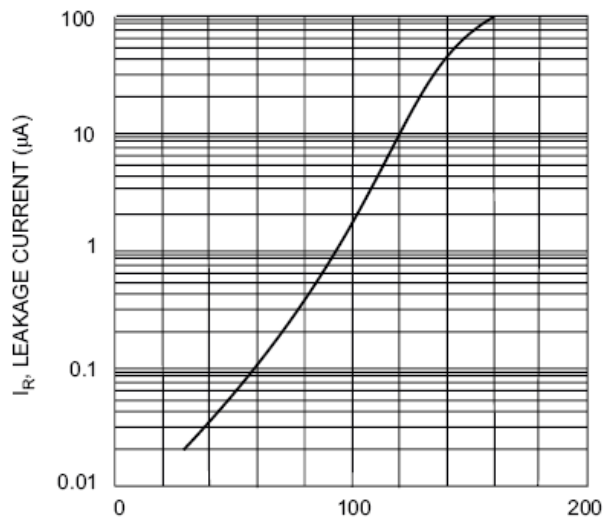


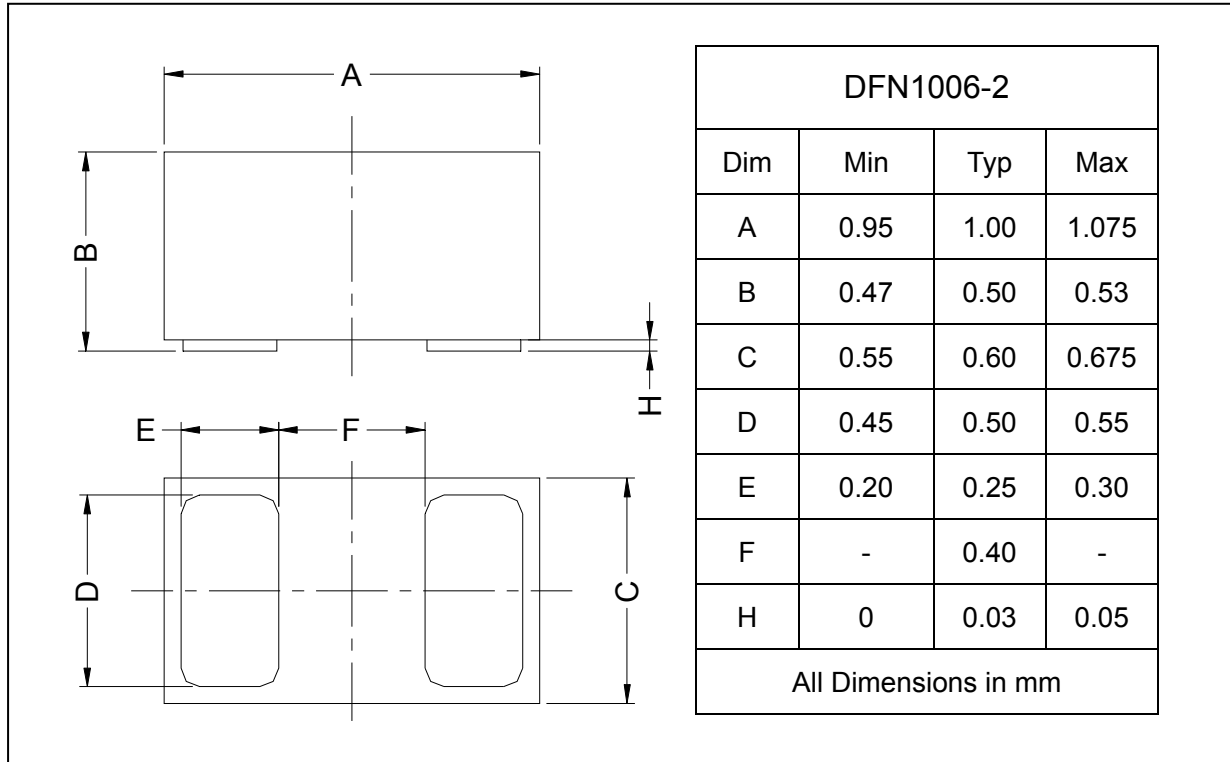
Fig. 2 Leakage Current vs Junction Temperature

Surface mount switching diode **BAV19L/ BAV20L/ BAV21L**

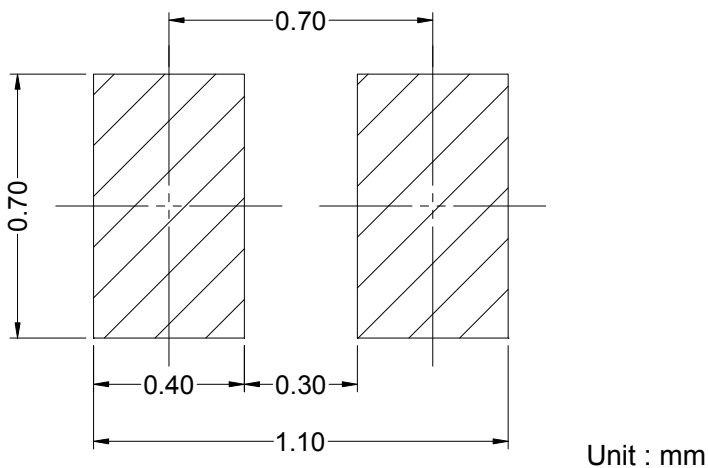
PACKAGE OUTLINE

Plastic surface mounted package

DFN1006-2



SOLDERING FOOTPRINT



PACKAGE INFORMATION

Device	Package	Shipping
BAV19L-21L	DFN1006-2	10000/Tape&Reel