



## 8 KEYS TOUCH PAD DETECTOR IC

### GENERAL DESCRIPTION

The TTP229-JQB TonTouch™ IC is capacitive sensing design specifically for touch pad controls. The device built in regulator for touch sensor. Stable sensing method can cover diversity conditions. Human interfaces control panel links through non-conductive dielectric material. The main application is focused at replacing of the mechanical switch or button. The ASSP can independently handle the 8 touch pads.

### FEATURES

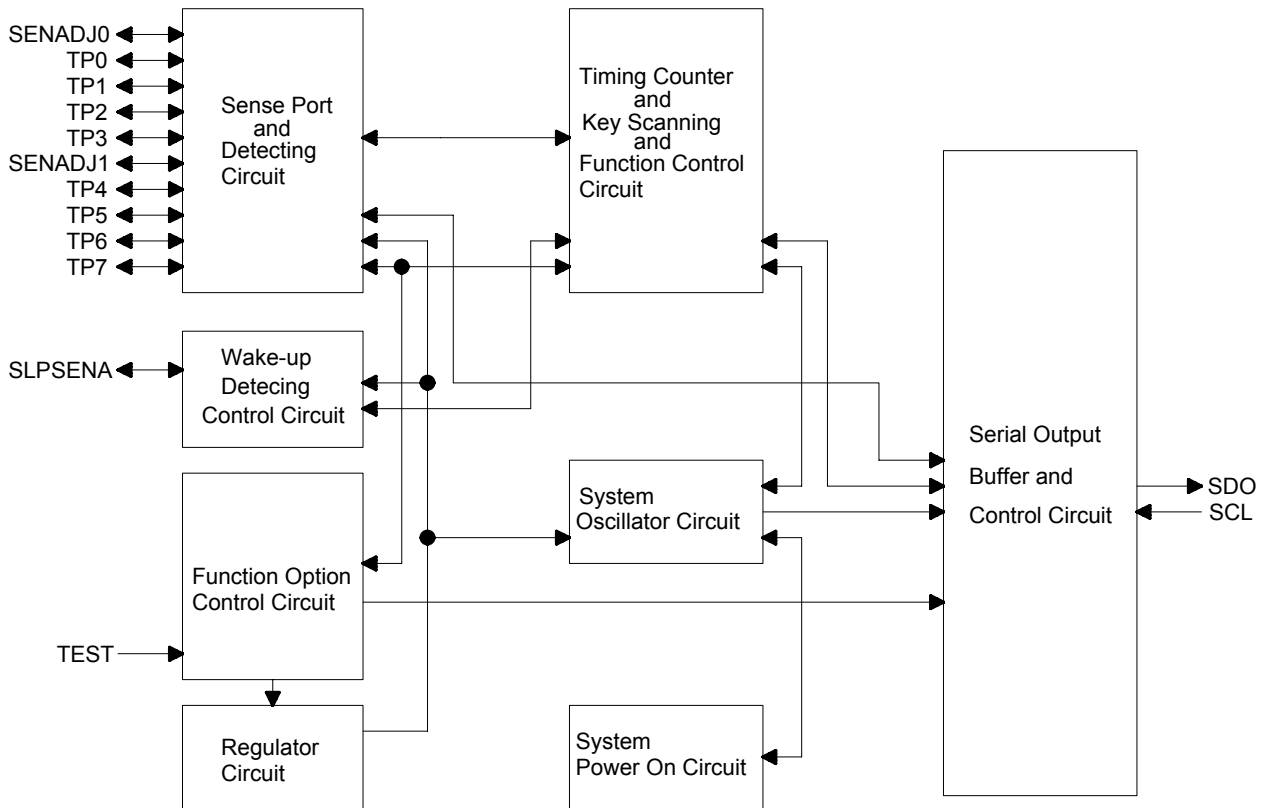
- Operating voltage : 2.4V~5.5V
- Built-in regulator
- Stand-by current  
At 3V, and sleep mode slow sampling rate 8Hz : => Typical 2.0uA
- Provides a 2-wires serial output interface
- 2-wires serial interface can select active high or low by option
- Offer multi-key or single-key feature by option
- Provides two kinds of sampling rate that slow sampling rate 8Hz and fast sampling rate 64Hz at sleep mode
- Have the maximum key-on time about 80sec by pin option
- Sensitivity can adjust by the capacitance(1~50pF) outside
- After power-on have about 0.5sec stable-time,  
During the time do not touch the key pad, and all functions are disabled
- Auto calibration for environment changing  
And the re-calibration period is about 4.0sec, when all keys are not activated for fixed time

### APPLICATION

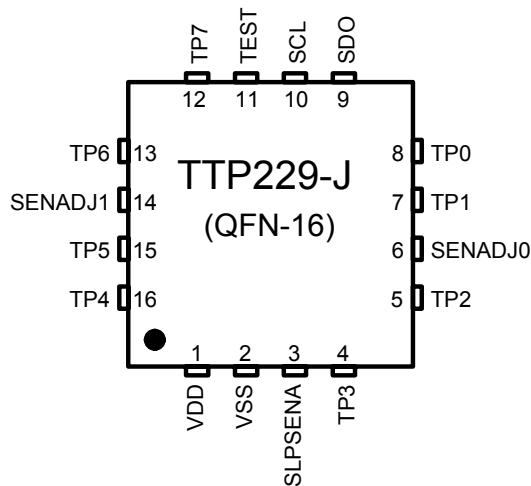
- Wide consumer products
- Button key replacement



### BLOCK DIAGRAM



### PACKAGE CONFIGURATION



**PIN DESCRIPTION**

Pin No.	Pin Name	Share Pin	I/O Type	Pin Description
1	VDD		P	Positive power supply
2	VSS		P	Negative power supply, ground
3	SLPSENA		I/O	Sleep mode sensitivity adjustment pin for group-A(TP0~7)
4	TP3	SKMS1	I/O	Touch pad input pin(KEY-3) Key action function option-1(Single-key/Multi-key) Default is all single-key
5	TP2		I/O	Touch pad input pin(KEY-2)
6	SENADJ0		I/O	Touch pad TP0~3 sensitivity adjust common pin
7	TP1	SAHL	I/O	Touch pad input pin(KEY-1) Output type function option(Active High/Low) Default is active-low for 2-wires serial type(SCL and SDO)
8	TP0		I/O	Touch pad input pin(KEY-0)
9	SDO		O	Data pin for the 2-wires serial output, option active Low/High by TP1
10	SCL		I	Serial clock input pin for serial type It can be set active Low/High by TP1
11	TEST		I-PL	Only for test
12	TP7	SKSRT	I/O	Touch pad input pin(KEY-7) Maximum key-on time function option(Infinite/80sec) Default is infinite
13	TP6	SLWPTM	I/O	Touch pad input pin(KEY-6) Sleep mode sampling length function option(4.0/2.0mS) Default is 4.0ms
14	SENADJ1		I/O	Touch pad TP4~7 sensitivity adjust common pin
15	TP5	WPSCT	I/O	Touch pad input pin(KEY-5) Sampling rate at sleep mode function option(8Hz/64Hz) Default is 8Hz
16	TP4	SKMS0	I/O	Touch pad input pin(KEY-4) Key action function option-0(Single-key/Multi-key) Default is all single-key

**Note : Pin Type**

- I => CMOS input only
- I-PH => CMOS input and pull-high resistor
- I-PL => CMOS input and pull-low resistor
- O => CMOS push-pull output
- I/O => CMOS I/O
- P => Power / Ground
- OD => CMOS open drain output

**ELECTRICAL CHARACTERISTICS****• Absolute Maximum Ratings**

Parameter	Symbol	Conditions	Value	Unit
Operating Temperature	T <sub>OP</sub>	—	-40 ~ +85	°C
Storage Temperature	T <sub>STG</sub>	—	-50 ~ +125	°C
Power Supply Voltage	VDD	T <sub>a</sub> =25°C	VSS-0.3 ~ VSS+6.0	V
Input Voltage	V <sub>IN</sub>	T <sub>a</sub> =25°C	VSS-0.3 to VDD+0.3	V
Human Body Mode	ESD	—	6	KV

Note : VSS symbolizes for system ground

**• DC/AC Characteristics** : (Test condition at room temperature=25°C)

Parameter	Symbol	Test Condition	Min.	Typ.	Max.	Unit
<b>Operating Voltage</b>	VDD		2.4	-	5.5	V
<b>Internal Regulator Output</b>	VREG		2.2	2.3	2.4	V
<b>Operating Current</b> (no load)	I <sub>OP</sub>	VDD=3.0V		20		uA
<b>Stand-by Current</b> (VDD=3.0V) (Sampling length 4.0mS)	I <sub>SD</sub>	Sampling rate 8Hz		2.0		uA
		Sampling rate 64Hz		5.5		
<b>Input Ports</b>	V <sub>IL</sub>	Input Low Voltage	0	-	0.2	VDD
<b>Input Ports</b>	V <sub>IH</sub>	Input High Voltage	0.8	-	1.0	VDD
<b>Output Port Sink Current</b>	I <sub>OL</sub>	VDD=3V, V <sub>OL</sub> =0.6V	-	8	-	mA
<b>Output Port Source Current</b>	I <sub>OH</sub>	VDD=3V, V <sub>OH</sub> =2.4V	-	-4	-	mA
<b>Wake-up Response Time</b> (at sleep mode)	T <sub>WU</sub>	VDD=3V, Sampling rate 8Hz		125		mS
		VDD=3V, Sampling rate 64Hz		15.6		mS
<b>Output Response Time</b> (at operation)	T <sub>R</sub>	VDD=3V		16		mS
<b>Maximum Key-on Time</b>	T <sub>MOT</sub>		50	80	110	Sec
<b>Input Pin Pull-low Resistor</b> (TEST)	R <sub>PL</sub>	VDD=3V		30K		ohm



### FUNCTION DESCRIPTION

#### 1. Sensitivity adjustment

The total loading of electrode size and capacitance of connecting line on PCB can affect the sensitivity. So the sensitivity adjustment must according to the practical application on PCB. The TTP229-JQB offers some methods for adjusting the sensitivity outside.

##### 1-1 by the electrode size

Under other conditions are fixed. Using a larger electrode size can increase sensitivity. Otherwise it can decrease sensitivity. But the electrode size must use in the effective scope.

##### 1-2 by the panel thickness

Under other conditions are fixed. Using a thinner panel can increase sensitivity. Otherwise it can decrease sensitivity. But the panel thickness must be below the maximum value.

##### 1-3 by the value of external capacitor (please see the down Figure 1-3-1)

Under other conditions are fixed. When adding the values of CJ0~CJ1 and CJWA will reduce sensitivity in the useful range ( $1pF \leq CJ0 \sim CJ1 \leq 50pF$ ,  $1pF \leq CJWA \leq 50pF$ ). When do not use any capacitor that means open on the position of capacitor, the sensitivity is most sensitive. The capacitors CJ0~CJ1 are used to adjust the sensitivity of keys at operation mode. The capacitors CJWA is used to adjust the Wake-up sensitivity at sleep mode.

About the relation of capacitor and controlled keys please to see below table.

The capacitor	The keys-group controlled and adjusted
CJ0	K0~K3 group
CJ1	K4~K7 group
CJWA	K0~K7 group

Note : When using the value of capacitor to adjust the sensitivity, recommending to adjust the CJ0~CJ1 capacitor for K0~K7 first, then adjusting the CJWA capacitor for Wake-up sensitivity.

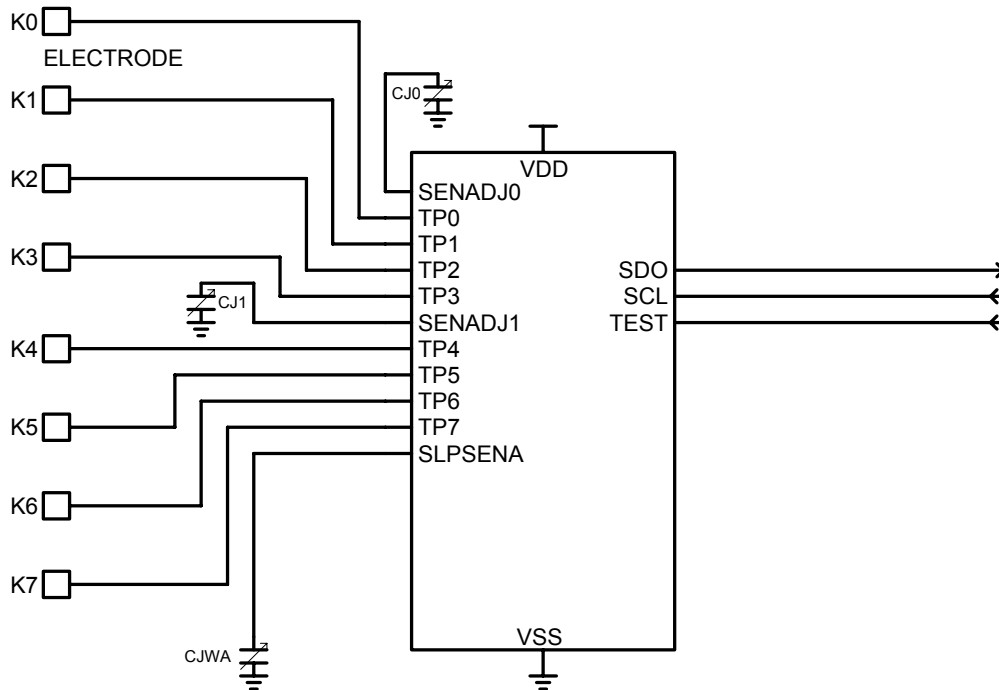


Figure 1-3-1



### 2. Input keys number

The TTP229-JQB has only 8 keys input mode.

### 3. Output mode

The TTP229-JQB only has a 2-wires serial output interface mode.

At the serial output interface mode the SDO pin is data output pin, the SCL is clock input pin, both can be set active-high and active-low by TP1(SAHL) pin. The default is active-low that TP1(SAHL) pin is not used resistor connected to VSS. Another it is active-high that is used a high-value resistor connected to VSS.

The 2-wires serial mode supports always polling data for other device on the system. Or other device can wait that TTP229-JQB outputs the data valid (DV) signal by the SDO pin, and it can give the clock signal to TTP229-JQB SCL pin and get the key data from SDO pin.

The TTP229-JQB 2-wires serial interface supports a timeout mechanism for SCL pin. If the SCL pin has no signal edge change over 2ms, the 2-wires serial interface will reset itself and return to stand-by state.

2-wires serial interface mode timing please see below :

The D0~D7 correspond to data of the TP0~TP7.

3-4-1. When TP1=0 : Set 8-keys active-high

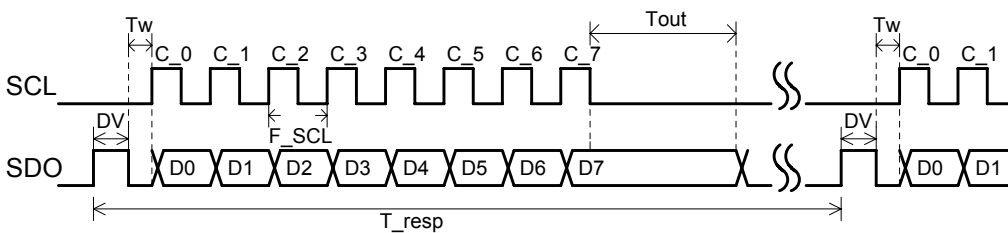


Figure 3-4-1: The timing for active-high

3-4-2. When TP1=1 : Set 8-keys active-low

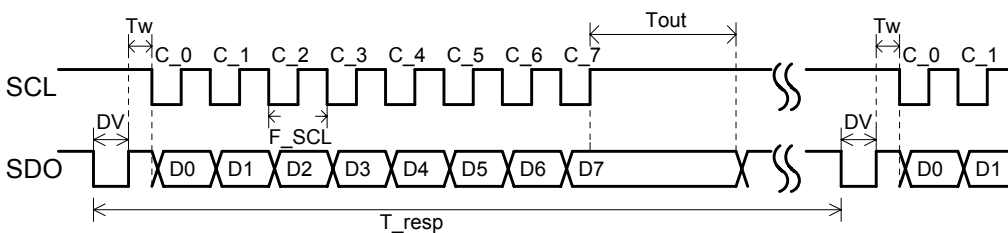


Figure 3-4-2: The timing for active-low

The parameters for figure 3-4-1~2:

Parameter	Min.	Typ.	Max.	Unit
DV	-	93	-	us
Tw	10	-	-	us
Tout	-	2	-	ms
T_resp	-	16	-	ms
F_SCL	1K	-	512K	Hz



#### 4. Key operating mode

The TTP229-JQB has the Single-key and Multi-key functions. These functions are set by TP3(SKMS1) and TP4(SKMS0) pins. The all 8 keys can use one group, or the 8 keys can distributed into two groups. The group-1 includes TP0, TP1, TP2, TP3 keys. The group-2 includes TP4, TP5, TP6, TP7 keys. How to set the function? Please see below table 4-1 :

Table 4-1. The functions of TP3(SKMS1) and TP4(SKMS0) option

TP3 (SKMS1)	TP4 (SKMS0)	Operating function
1	1	All Single-keys : one group(8keys)
1	0	Two groups operate : group-1=>Single key ; group-2=>Single key
0	1	Two groups operate : group-1=>Single key ; group-2=>Multi key
0	0	All Multi-keys : one group(8 keys)

Note : 1. One group : TP0~TP7.

Two groups : Group-1=>TP0,TP1,TP2,TP3.

Group-2=>TP4,TP5,TP6,TP7.

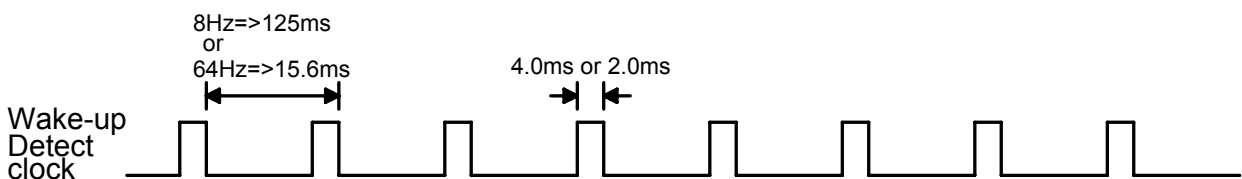
- The option states of TP3 and TP4, the "0" state is used a high-value resistor connected to VSS, the "1" state is not used resistor connected to VSS.
- The key detection acknowledges in Single-key function, the priority is by the key scanning order (from TP0 to TP7) when many keys are touched effectively. It is not by the key touching strength.

#### 5. Wake-up sampling rate and sampling length at sleep mode

The TTP229-JQB has two kinds of sampling rate at sleep mode. These are 8Hz and 64Hz. The two functions are selected by TP5(SLWPTM) pin. The TP5(SLWPTM) pin has used a high-value resistor connected to VSS, it selected the 64Hz sampling rate. Another it is 8Hz that is not used resistor connected to VSS. The 8Hz sampling is the default.

And TTP229-JQB has two kinds of sampling length at sleep mode. They are 4ms and 2ms that are selected by TP6(WPSCT) pin. The default is 4ms that TP6(WPSCT) pin is not used resistor connected to VSS. Another it is 2ms that TP6 pin has used a high-value resistor connected to VSS.

Wake-up sampling timing and length in the sleep mode :



#### 6. Maximum key-on time

If some objects cover in the sense pad, and causing the change quantity enough to be detected. To prevent this, the TTP229-JQB sets a timer to monitor the detection. The timer is the maximum key-on time. It is set about 80sec at 3V. When the detection is over the timer, the system will return to the power-on initial state, and the output becomes inactive until the next detection. The function is set via a high-value resistor connected to the TP7(SKSRT) pin to VSS. The TP7(SKSRT) pin does not has the resistor, it is set disable the maximum key-on time, then the key acts infinitely, this is the default. Another it is set enable the maximum key-on time that has a resistor.

If the system needs to use the maximum key-on time enable, so that 2-wires serial output interface only uses always polling data.



### 7. Built-in regulator

The capacitive sensing touch pad IC needs stable power. So the TTP229-JQB built in regulator in the chip. It can make the internal power to keep up steady. And the sensitivity detection is normal for chip. And the stable power can avoid sensitivity anomalies and false detections.

### 8. Auto calibration function

The TTP229-JQB includes a full auto-calibration function. After the device is powered-on, it will calibrate the initial condition of environment first. On the duration time all the functions are disabled, so do not operate. Then the system is into stand-by mode. And all keys are not detected touch more than about 4 seconds, then the system do re-calibration automatically. The procedure is fixed and repeated. By implementing this feature the system can catch the conditions of environment changing. And let operation of the system is normal.

### 9. The timing from sleep mode to operation mode

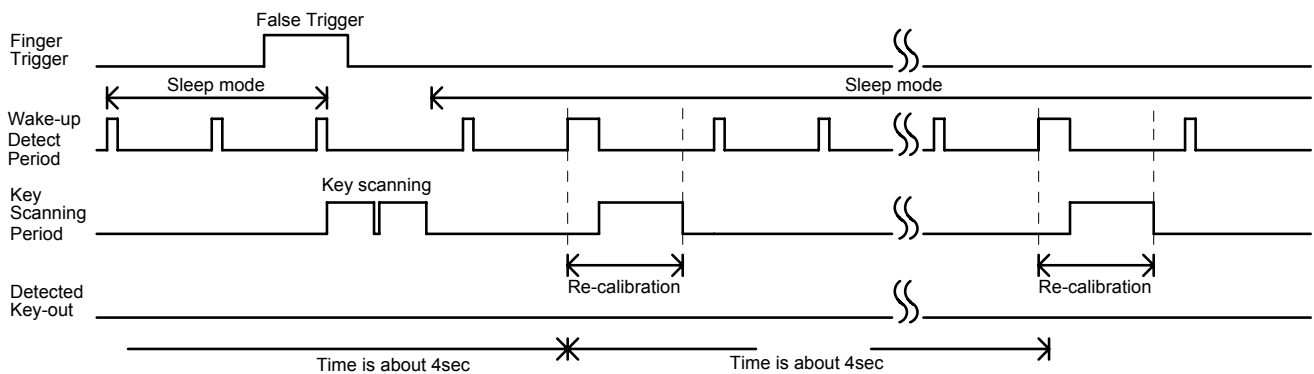


Figure 9-1. The timing for false trigger

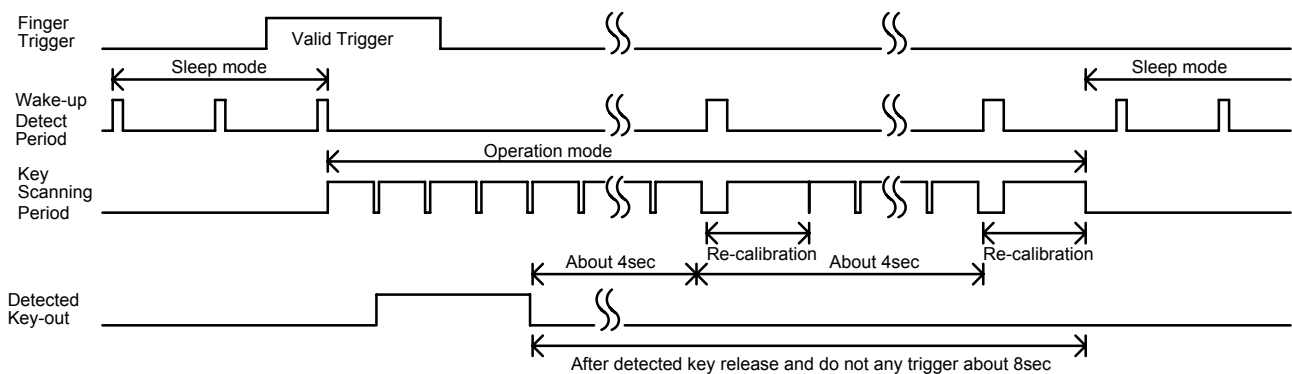


Figure 9-2. The timing for valid trigger

**10. Option table****Option table :**

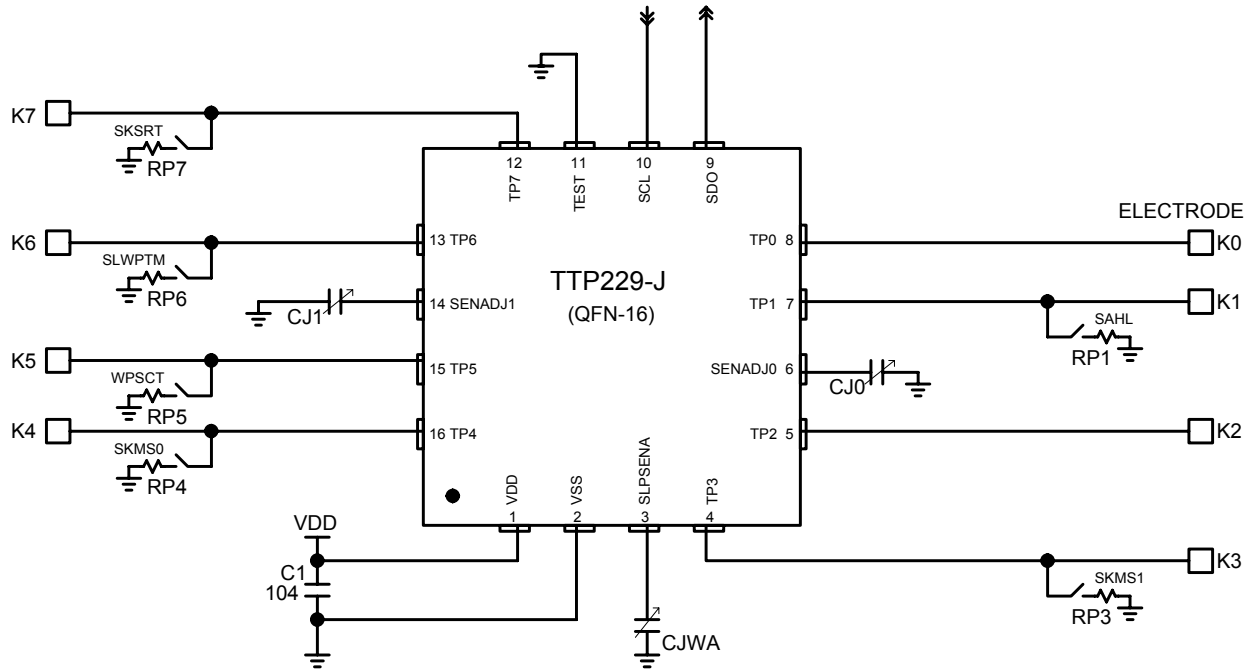
Option pin	Option states		Feature	Remark
TP1 (SAHL)	1		2-wires serial interface => CMOS output active-low	Default
	0		2-wires serial interface => CMOS output active-high	
TP3 (SKMS1)	TP3 (SKMS1)	TP4 (SKMS0)	All Single-keys : one group(8keys)	Default
	1	1		
TP4 (SKMS0)	1	0	Two groups operate : group-1=>Single key ; group-2=>Single key	
	0	1	Two groups operate : group-1=>Single key ; group-2=>Multi key	
	0	0	All Multi-keys : one group(8 keys)	
TP5 (WPSCT)	1		8Hz sampling rate for wake-up in sleep mode	Default
	0		64Hz sampling rate for wake-up in sleep mode	
TP6 (SLWPTM)	1		Wake-up sampling length=>about 4.0ms	Default
	0		Wake-up sampling length=>about 2.0ms	
TP7 (SKSRT)	1		Maximum key-on time disable=>infinite	Default
	0		Maximum key-on time enable=>about 80sec	

Note : 1. About the combinations of group-1 and group-2, please see above point-4.

2. Option states "1" mean internal pull-up (default).

3. Option states "0" mean that option pins are via high-value resistors connected to VSS.

APPLICATION CIRCUIT



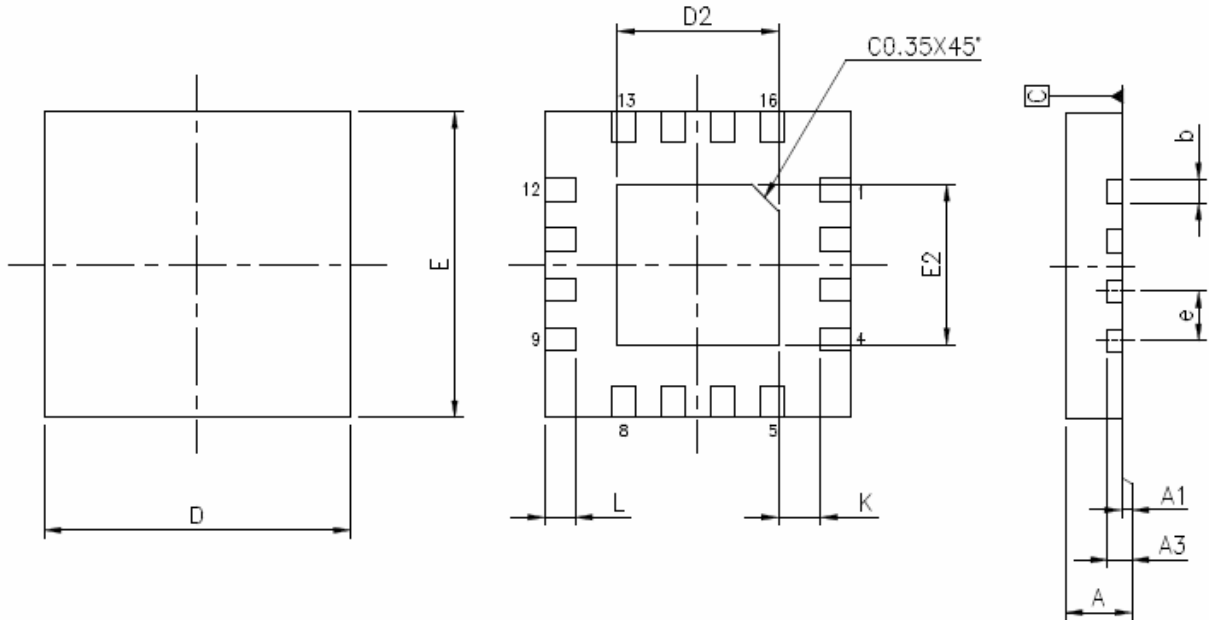
- PS : 1. On PCB, the length of lines from touch pad to IC pin shorter is better.  
And the lines do not parallel and cross with other lines.
2. The power supply must be stable. If the supply voltage drift or shift quickly, maybe causing sensitivity anomalies or false detections.
  3. The material of panel covering on the PCB can not include the metal or the electric element. The paints on the surfaces are the same.
  4. The C1 capacitor must be used between VDD and VSS; and should be routed with very short tracks to the device's VDD and VSS pins (TTP229-JQB).
  5. The capacitance CJ0~CJ1 and CJWA can be used to adjust the sensitivity. The value of capacitors use smaller, then the sensitivity will be better. The sensitivity adjustment must according to the practical application on PCB. The range value of capacitors are  $1\text{pF} \leq \text{CJ0} \sim \text{CJ1} \leq 50\text{pF}$ ,  $1\text{pF} \leq \text{CJWA} \leq 50\text{pF}$ . Recommend to adjust the CJ0~CJ1 capacitor for K0~K7 first, then adjusting the CJWA capacitor for Wake-up sensitivity.
  6. The sensitivity adjustment capacitors (CJ0~CJ1, CJWA) must use smaller temperature coefficient and more stable capacitors. Such are X7R, NPO for example. So for touch application, recommend to use NPO capacitor, for reducing that the temperature varies to affect sensitivity.
  7. Recommend to use 820K ohm resistor for RP1, RP3~RP7 resistors.



**PACKAGE OUTLINE (16 PIN QFN)**

Package Type: QFN-16

Package Outline Dimension



PAD SIZE	D2			E2			L		
	MIN.	NOM.	MAX.	MIN.	NOM.	MAX.	MIN.	NOM.	MAX.
98X98 MIL	2.00	2.10	2.15	2.00	2.10	2.15	0.35	0.40	0.45
102X102 MIL	2.00	2.10	2.15	2.00	2.10	2.15	0.50	0.55	0.60

UNIT : mm

SYMBOLS	MIN.	NOM.	MAX.
A	0.70	0.75	0.80
A1	0.00	0.02	0.05
A3	0.20 REF.		
b	0.25	0.30	0.35
e	0.65 BSC		
D	4.00 BSC		
E	4.00 BSC		
K	0.20	—	—

UNIT : mm

NOTES :

1. JEDEC OUTLINE : MO-220 REV.J (WGCC)
2. DIMENSION b APPLIES TO METALLIZED TERMINAL AND IS MEASURED BETWEEN 0.15mm AND 0.30mm FROM THE TERMINAL TIP. IF THE TERMINAL HAS THE OPTIONAL RADIUS ON THE OTHER END OF THE TERMINAL, THE DIMENSION b SHOULD NOT BE MEASURED IN THAT RADIUS AREA.
3. THE MINIMUM "K" VALUE OF 0.20mm APPLIES.
4. BILATERAL COPLANARITY ZONE APPLIES TO THE EXPOSED HEAT SINK SLUG AS WELL AS THE TERMINALS.



## ORDER INFORMATION

a. Package form: TTP229-JQB

## REVISE HISTORY

1. 2009/12/03

-Original version : V\_1.0

2. 2009/12/22 =>V\_1.1

-Adding some descriptions for function.

A. Adding the description of Stand-by current at the page-4.

B. Adding the description of Single-key function at the page-7 point 4 note 3 .....

C. Changing and adding the Maximum Key-on Time value at the page-1, 3, 4, 7, 9.

D. Changing the description of Table 4-1 at the page-7.

E. Changing the values for RP1, RP3~RP7 resistors from 1M to 820K at page-10 PS: 7.