

TRANSFORMER FOR DIGITAL AUDIO DATA

- F** **H**igh Isolation Voltage : 2000Vrms min.
- F** **A**verage Power Rating : 500mW.
- F** **O**perating Transmission Rate : 1 to 7Mbps.
- F** **C**ontrolled Rise Time : 25nsec max.
- F** **F**or RoHS Part Add Suffix G.



ELECTRICAL SPECIFICATIONS @ 25°C - (Operating Temperature -20°C to +85°C)

Part Number	Turns Ratio ± 5%	Primary Inductance (mH)	Leakage Inductance uH(max)	CWW PF(max)	DCR (Ω) ±15%	IMPEDANCE (Ω)	Insulation Resistance @ 500VDC M Ω (min)	Hi-Pot (Vrms)
D4101DB	1 : 1	220 min	-	50	(1-3)56 (7-4)56	600±15%	100	100
D4102DB	1 : 1	120±25%	-	-	15.5±1	-	100	125
D4103DB	1 : 1	450 min	6.0	20	(5-1)215 (10-6)170	-	-	500
D4104DB	1 : 1	350 min	-	-	51	-	-	500
D4105DB	1 : 1	210 min	-	-	56±15%	600±15%	10	1000
D4106DB	1 : 1	-	-	-	(1-3)145 (4-7)185	2000±10%	10	1000
D4107DB	1 : 1	18.0 min	-	-	(1-3)110 (6-4)120	-	-	1650
D4108DB	1 : 1	7.0 min	-	-	122±10%	PRI 600Ω SEC 360Ω	-	1650
D4109DB	1 : 1	50.0 min	-	-	-	-	-	-

Note:

ALL Inductance is measured @1KHz 0.25V,(D4105DB) @1KHz 1V,

D4101DB Insertion Loss :-2.5dB Max(300Hz&1000Hz&3000Hz),

D4107DB @ 200Hz 1V For Parallel. Insertion Loss :-2.1dB Typ (1KHz),Return Loss :-25dB Min (0.2~3.5KHz),

Longitudinal Balance :-60dB Min (0.2~3.5KHz),(Operating Temperature 0°C to 70°C).

D4108DB @ 200Hz 1V For Parallel. Insertion Loss :-2.3dB Max (1KHz),Return Loss :-20dB Min (0.2~3.5KHz),

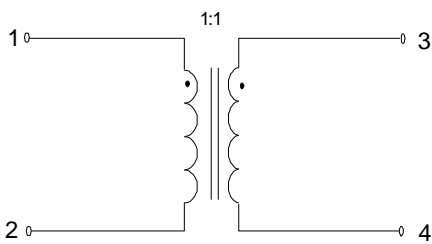
Frequency Response @ 300~4000Hz(1KHz ref) of ±1.0Db (Operating Temperature 0°C to 70°C).

D4109DB (Operating Temperature 0°C to 70°C).

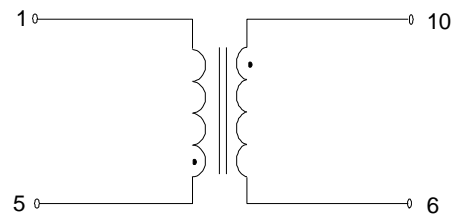
TRANSFORMER FOR DIGITAL AUDIO DATA

SCHEMATICS

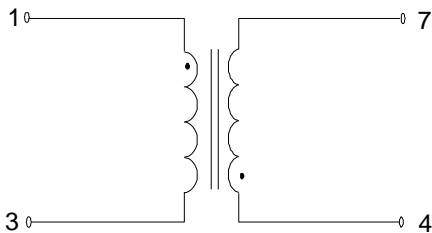
D4101DB, D4102DB, D4104DB



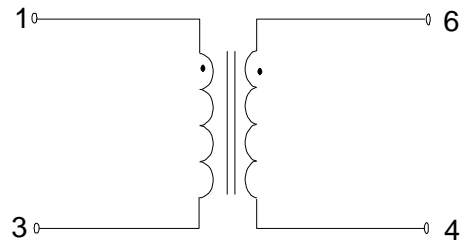
D4103DB



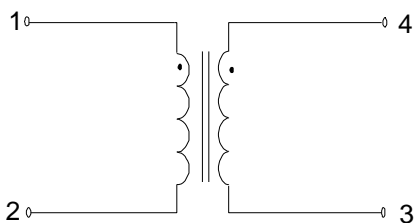
D4105DB, D4106DB



D4107DB, D4108DB



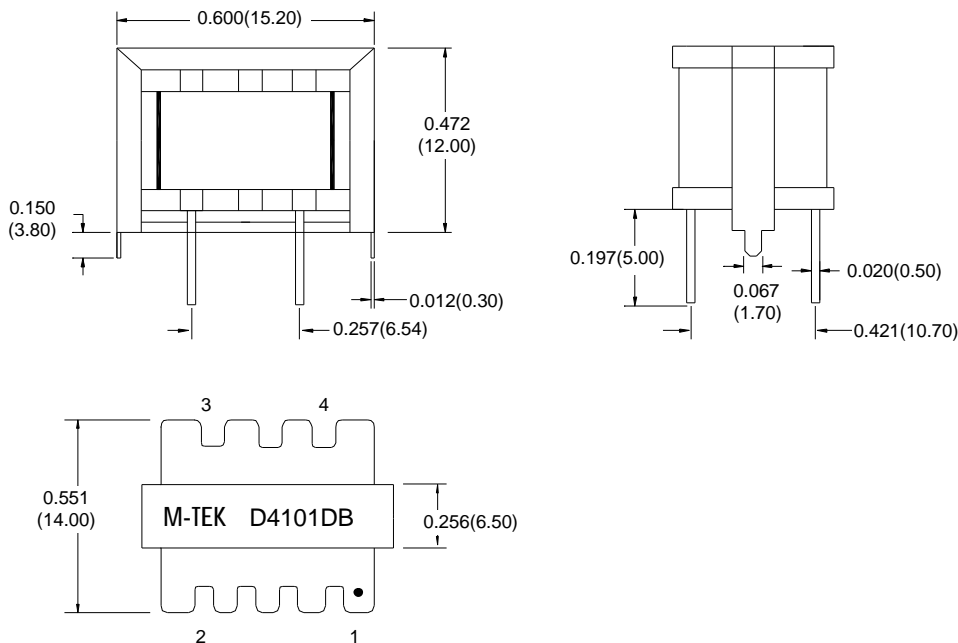
D4109DB



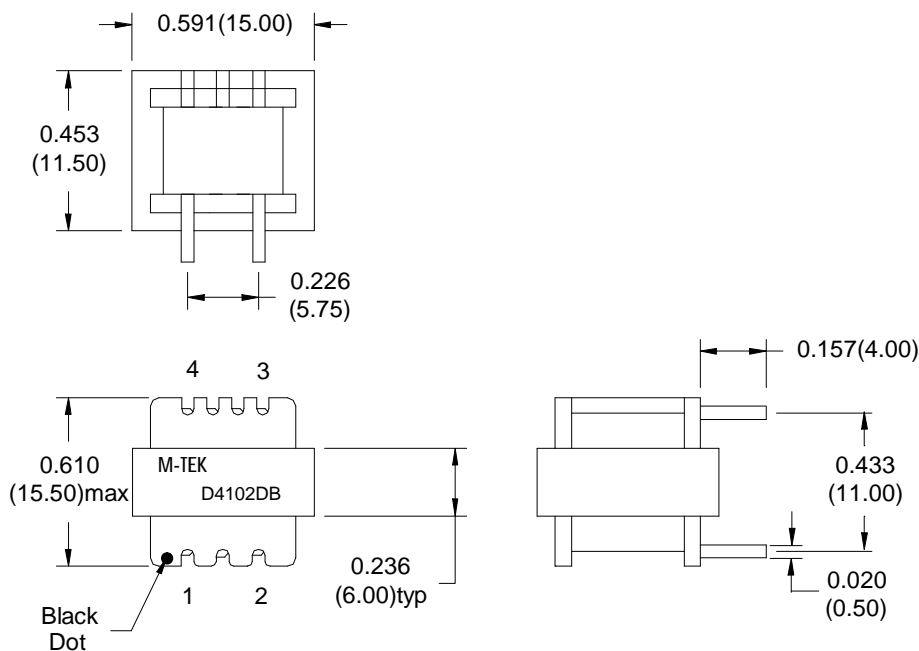
TRANSFORMER FOR DIGITAL AUDIO DATA

MECHANICAL SPECIFICATIONS

D4101DB



D4102DB



DIMENSIONS : INCHES/(mm) UNLESS OTHERWISE SPECIFIED ALL TOLERANCES ARE $\pm 0.010(0.25)$

Head Office
MAGTEK TECHNOLOGY INC.
Tel : 886-3-3694878
Fax: 886-3-3690778

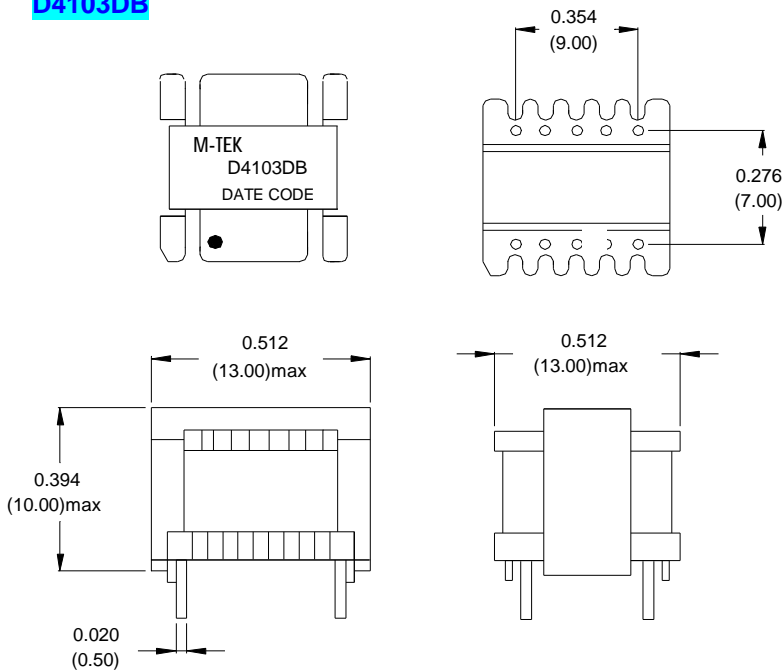
ShenZhen Office
MAGTEK TECHNOLOGY INC.
Tel : 286-755-83347151
Fax: 286-755-83363151

China Factory
MAGTEK INTERNATIONAL INC.
Tel : 286-769-86636536
Fax: 286-769-86326256

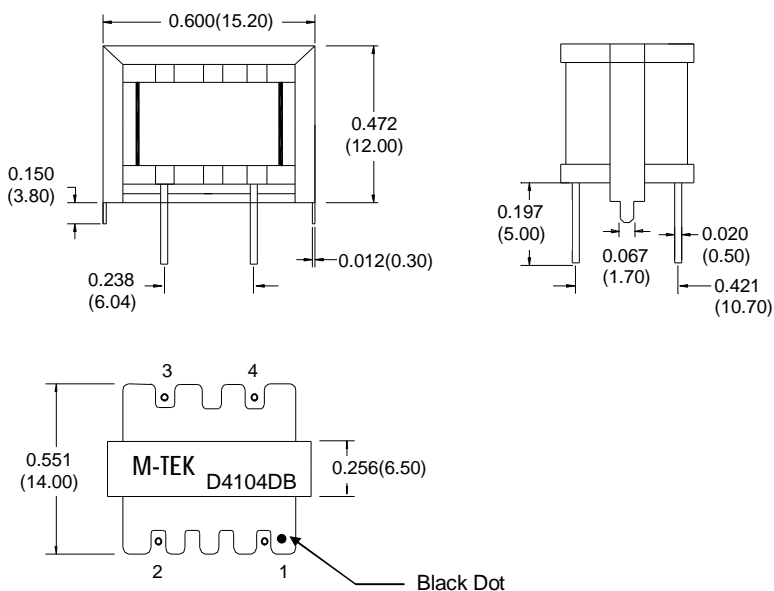
TRANSFORMER FOR DIGITAL AUDIO DATA

MECHANICAL SPECIFICATIONS

D4103DB



D4104DB



DIMENSIONS : INCHES/(mm) UNLESS OTHERWISE SPECIFIED ALL TOLERANCES ARE $\pm 0.010(0.25)$

Head Office
MAGTEK TECHNOLOGY INC.
Tel : 886-3-3694878
Fax: 886-3-3690778

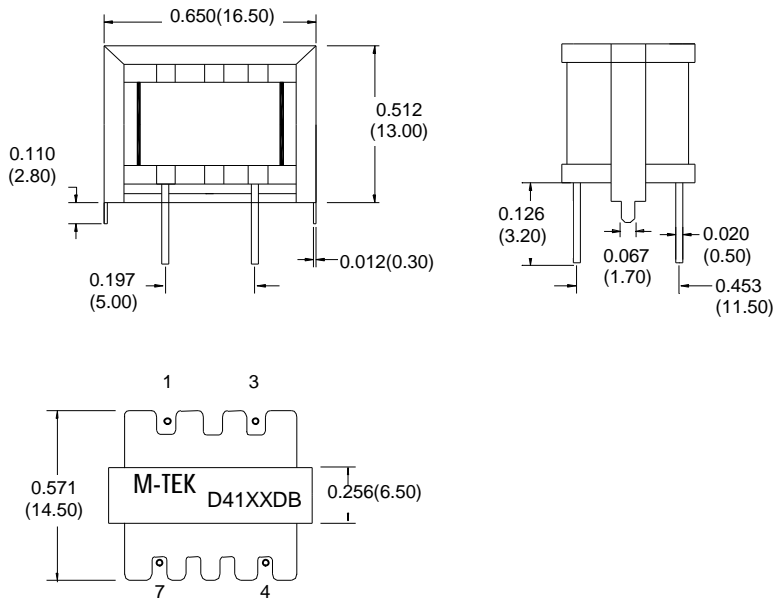
ShenZhen Office
MAGTEK TECHNOLOGY INC.
Tel : 286-755-83347151
Fax: 286-755-83363151

China Factory
MAGTEK INTERNATIONAL INC.
Tel : 286-769-86636536
Fax: 286-769-86326256

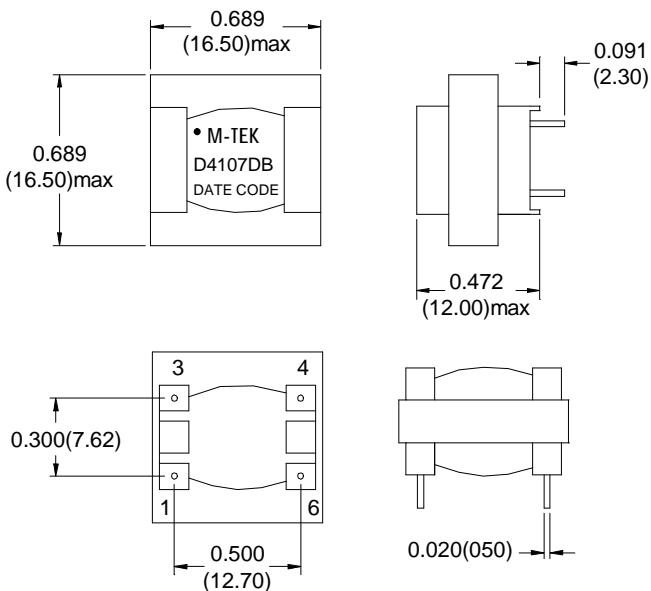
TRANSFORMER FOR DIGITAL AUDIO DATA

MECHANICAL SPECIFICATIONS

D4105DB, D4106DB



D4107DB



DIMENSIONS : INCHES/(mm) UNLESS OTHERWISE SPECIFIED ALL TOLERANCES ARE ± 0.010(0.25)

Head Office
MAGTEK TECHNOLOGY INC.
Tel : 886-3-3694878
Fax: 886-3-3690778

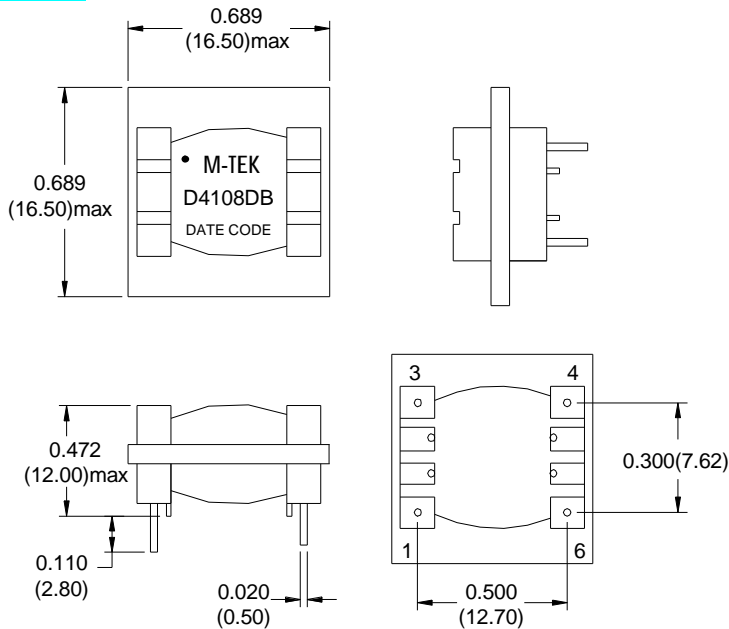
ShenZhen Office
MAGTEK TECHNOLOGY INC.
Tel : 286-755-83347151
Fax: 286-755-83363151

China Factory
MAGTEK INTERNATIONAL INC.
Tel : 286-769-86636536
Fax: 286-769-86326256

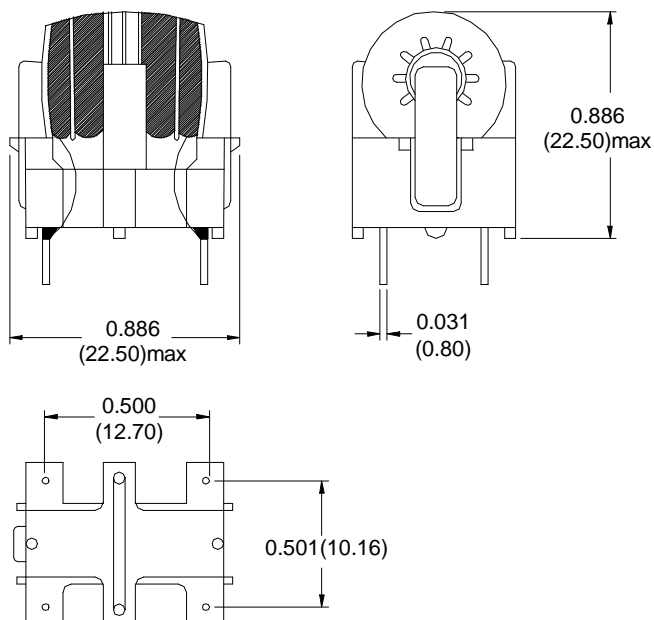
TRANSFORMER FOR DIGITAL AUDIO DATA

MECHANICAL SPECIFICATIONS

D4108DB



D4109DB



DIMENSIONS : INCHES/(mm) UNLESS OTHERWISE SPECIFIED ALL TOLERANCES ARE $\pm 0.010(0.25)$

Head Office
MAGTEK TECHNOLOGY INC.
Tel : 886-3-3694878
Fax: 886-3-3690778

ShenZhen Office
MAGTEK TECHNOLOGY INC.
Tel : 286-755-83347151
Fax: 286-755-83363151

China Factory
MAGTEK INTERNATIONAL INC.
Tel : 286-769-86636536
Fax: 286-769-86326256