

## Standard Rectifier-----PST-DRD4690H85

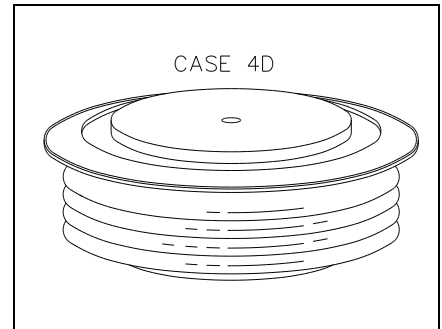
### GENERAL PURPOSE HIGH POWER STANDARD RECTIFIER

**Features:**

- . All Diffused Structure
- . High Surge rating
- . Soft Reverse Recovery
- . Rugged Ceramic Hermetic Package
- . Pressure Assembled Device

**Typical Applications:**

- . Rectifier for Drives Applications
- . Medium voltage converters
- . Pulsed power applications
- . Crowbar Applications



### ELECTRICAL CHARACTERISTICS AND RATINGS

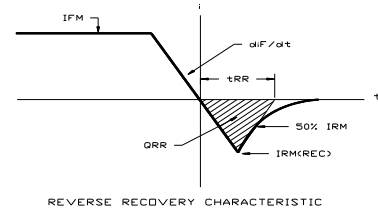
**Reverse Blocking**

$V_{RRM}$ (1)	$V_{RSM}$ (1)
8500	8600

$V_{RRM}$  = Repetitive peak reverse voltage  
 $V_{RSM}$  = Non repetitive peak reverse voltage (2)

Repetitive peak reverse leakage	$I_{RRM}$	50 mA 600 mA (3)
---------------------------------	-----------	---------------------

Notes:  
 All ratings are specified for  $T_j=25^\circ\text{C}$  unless otherwise stated.



**Conducting - on state**

Parameter	Symbol	Min	Max.	Typ	Units	Conditions
Average value of on-state current	$I_{F(AV)}$		4690		A	Sinewave, 180° conduction, $T_c=100^\circ\text{C}$
RMS value of on-state current	$I_{FRMS}$		7360		A	Nominal value
Peak one cycle surge (non repetitive) current	$I_{FSM}$		74.5		kA	$T_j=150^\circ\text{C}$ , $V_R=0$ , $t_p=10\text{ms}$
I square t	$I^2t$		27.75		$\text{MA}^2\text{s}$	10 msec
Peak on-state voltage	$V_{FM}$		1.81		V	$I_{FM} = 6000 \text{ A}$ ; $T_j = 150^\circ\text{C}$
Reverse Recovery Current (4)	$I_{RM(REC)}$		-		A	$I_{FM} = 1000 \text{ A}$ ; $dI_F/dt = 10 \text{ A}/\mu\text{s}$ , $T_j = 160^\circ\text{C}$
Reverse Recovery Charge (4)	$Q_{rr}$		-		$\mu\text{C}$	
Reverse Recovery Time (4)	$t_{RR}$		-		$\mu\text{s}$	

\* For guaranteed maximum values, contact factory

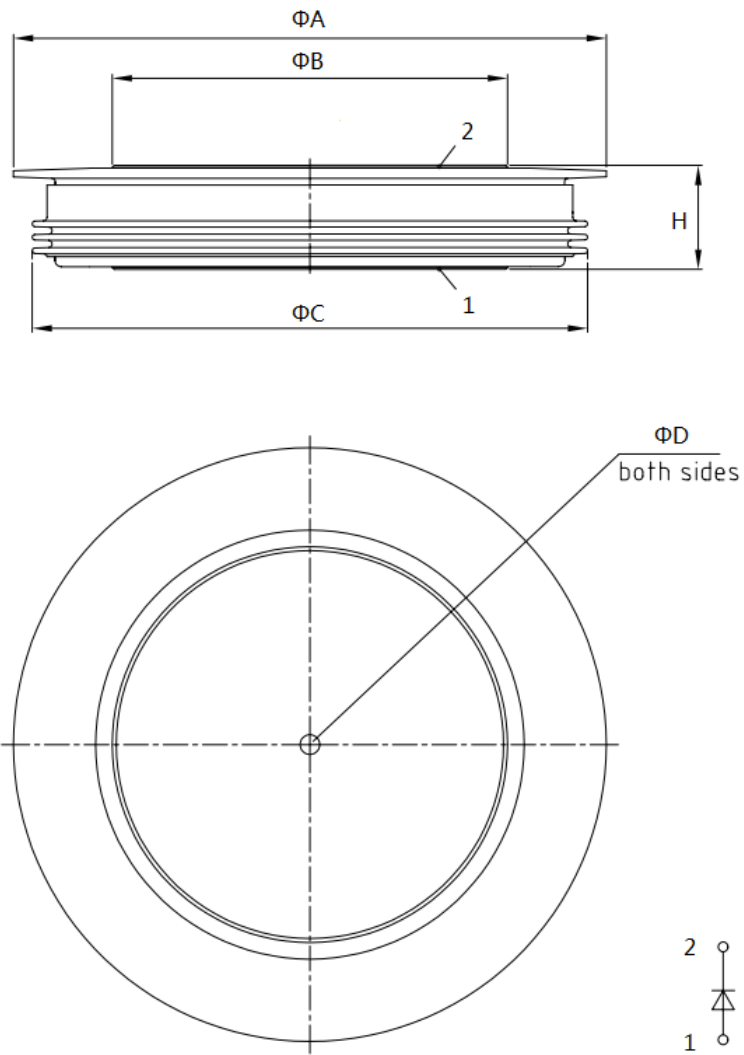
### THERMAL AND MECHANICAL CHARACTERISTICS

Parameter	Symbol	Min.	Max.	Typ.	Units	Conditions
Operating temperature	$T_j$	-40	+150		$^\circ\text{C}$	
Storage temperature	$T_{stg}$	-40	+160		$^\circ\text{C}$	
Thermal resistance - junction to case	$R_{\theta(j-c)}$		0.004		$^\circ\text{C}/\text{W}$	
Thermal resistance - case to sink	$R_{\theta(c-s)}$		0.0008		$^\circ\text{C}/\text{W}$	
Mounting force	P	110	130		kN	
Weight	W				g	

\* Mounting surfaces smooth, flat and greased

# Standard Rectifier-----PST-DRD4690H85

## CASE OUTLINE AND DIMENSIONS



Sym	A	B	C	D	H
mm	170	110	160	3.5×3	35±1