

## Ultra-small 14.6 mΩ 1.0 A GreenFET Load Switch with Discharge and Reverse Blocking

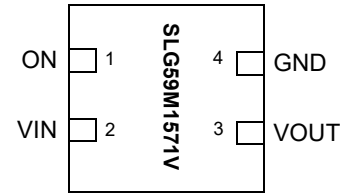
### General Description

The SLG59M1571V is designed for load switching applications. The part comes with one 14.6 mΩ 1.0 A rated MOSFET with Reverse Blocking and is controlled by a single ON control pin. The product is packaged in an ultra-small 1.0 x 1.0 mm package.

### Features

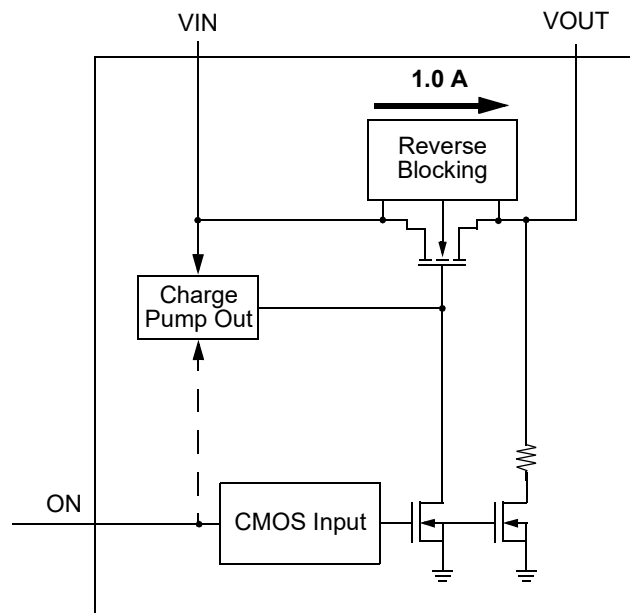
- One 14.6 mΩ 1.0 A MOSFET
- Reverse Blocking
- $V_{IN} = 0.85 \text{ V to } 1.9 \text{ V}$
- One integrated VGS Charge Pump
- Integrated Discharge Resistor
- Over Temperature Protection
- Pb-Free / Halogen-Free / RoHS compliant
- STDFN 4L, 1.0 x 1.0 x 0.55 mm

### Pin Configuration



**4-pin STDFN**  
(Top View)

### Block Diagram



## Pin Description

Pin #	Pin Name	Type	Pin Description
1	ON	Input	Turns on MOSFET.
2	VIN	MOSFET	Power Input MOSFET
3	VOUT	MOSFET	Power Output MOSFET
4	GND	GND	Ground

## Ordering Information

Part Number	Type	Production Flow
SLG59M1571V	STDFN 4L	Industrial, -40 °C to 85 °C
SLG59M1571VTR	STDFN 4L (Tape and Reel)	Industrial, -40 °C to 85 °C

## Absolute Maximum Ratings

Parameter	Description	Conditions	Min.	Typ.	Max.	Unit
$V_{IN}$	Power Supply		--	--	2.5	V
$T_S$	Storage Temperature		-65	--	150	°C
$ESD_{HBM}$	ESD Protection	Human Body Model	2000	--	--	V
$W_{DIS}$	Package Power Dissipation		--	--	0.5	W
MOSFET $IDS_{PK}$	Peak Current from Drain to Source	For no more than 1 ms with 1% duty cycle	--	--	1.5	A

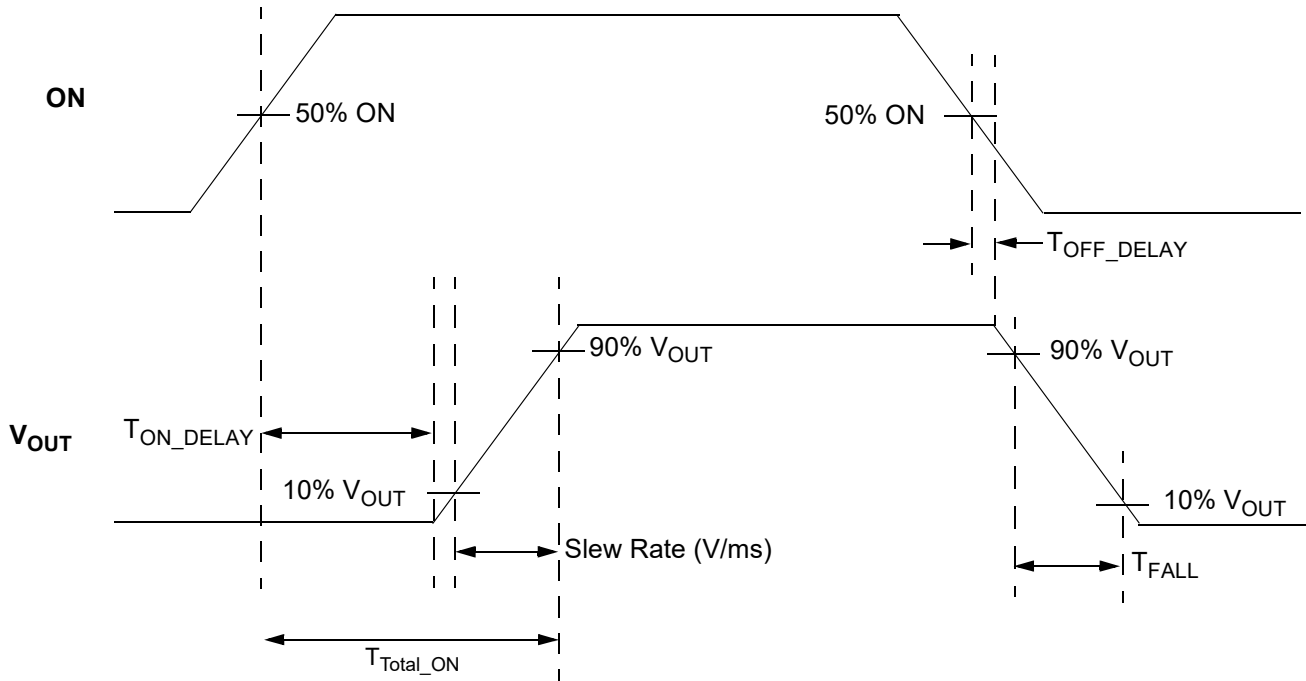
Note: Stresses greater than those listed under "Absolute Maximum Ratings" may cause permanent damage to the device. This is a stress rating only and functional operation of the device at these or any other conditions above those indicated in the operational sections of this specification is not implied. Exposure to absolute maximum rating conditions for extended periods may affect reliability.

## Electrical Characteristics

$T_A = -40\text{ °C to }85\text{ °C}$  (unless otherwise stated)

Parameter	Description	Conditions	Min.	Typ.	Max.	Unit
$V_{IN}$	Power Supply Voltage	-40 °C to 85 °C	0.85	--	1.9	V
$I_{DD}$	Power Supply Current (PIN 2)	when OFF, $V_{OUT} = 1.9\text{ V}$	--	0.4	3	μA
		when ON, No load	--	27	40	μA
$I_{REV\_LKG}$	Reverse Leakage Measured from Pin3 to Pin2	when OFF, $V_{OUT} = 1.9\text{ V}$ , $V_{IN} = 0\text{ V}$	--	1.1	4	μA
$R_{DS\_ON}$	Static Drain to Source ON Resistance	$T_A\ 25\text{ °C}$ MOSFET	--	14.6	17	mΩ
		$T_A\ 85\text{ °C}$ MOSFET	--	17.2	20	mΩ
$IDS$	Operating Current	$V_D = 0.85\text{ V to }1.9\text{ V}$	--	--	1.0	A
$T_{ON\_Delay}$	ON pin Delay Time	50% ON to Ramp Begin $V_{IN} = 1.2\text{ V}$ , Source_Cap = 10 μF, $R_L = 20\ \Omega$	--	90	200	μs
$T_{Total\_ON}$	Total Turn On Time	$V_{IN} = 1.2\text{ V}$ , Source_Cap = 10 μF, $R_L = 20\ \Omega$	--	310	500	μs
$T_{SLEWRATE}$	Slew Rate	$V_{IN} = 1.2\text{ V}$ , Source_Cap = 10 μF, $R_L = 20\ \Omega$	--	4.7	--	V/ms
$R_{DIS}$	Discharge Resistance	Full Operating Range	50	--	120	Ω
		$V_{IN} = 1.2\text{ V @ }-40\text{ °C to }85\text{ °C}$	54	67	80	Ω
$ON\_V_{IH}$	Initial Turn On Voltage	Internal Charge Pump ON	0.85	--	$V_D$	V
$ON\_V_{IL}$	Low Input Voltage on ON pin	Internal Charge Pump OFF	-0.3	0	0.3	V
$ON\_R$	Input Impedance on ON pin		100	--	--	MΩ
$THERM_{ON}$	Thermal shutoff turn-on temperature		--	120	--	°C
$THERM_{OFF}$	Thermal shutoff turn-off temperature		--	100	--	°C
$THERM_{TIME}$	Thermal shutoff time		--	--	1	ms
$T_{Delay\_OFF}$	OFF Delay Time	50% ON to $V_S$ Fall, $V_{IN} = 1.2\text{ V}$ , $R_L = 20\ \Omega$	--	12	16	μs

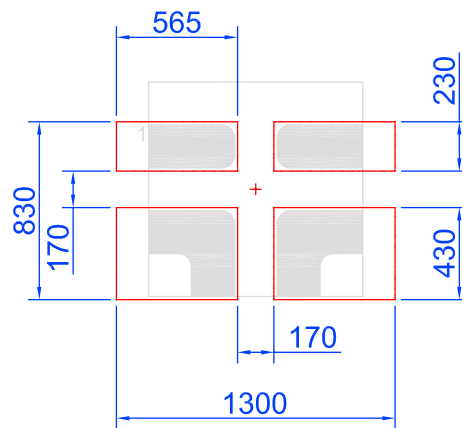
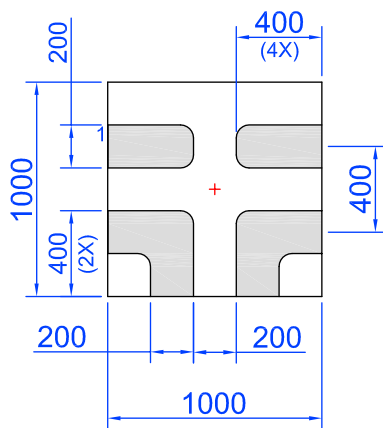
$T_{Total\_ON}$ ,  $T_{ON\_Delay}$  and Slew Rate Measurement



SLG59M1571V Layout Suggestion

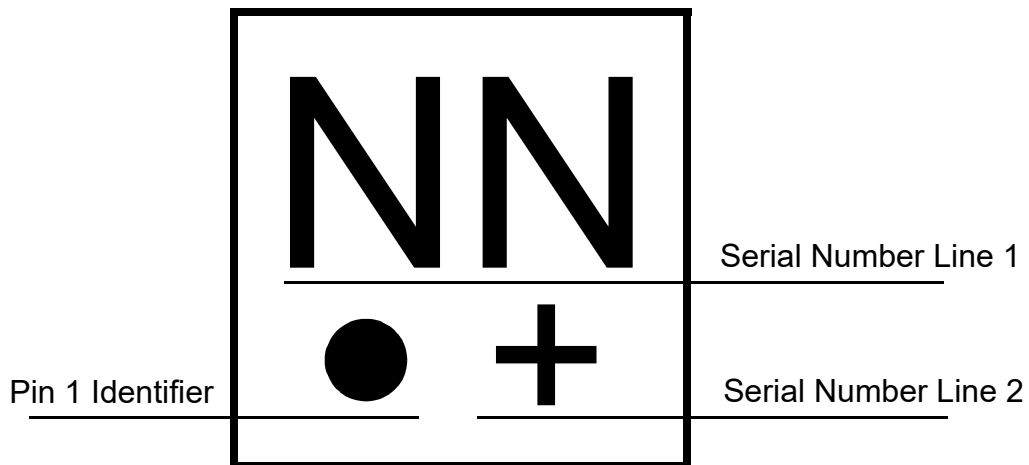
Exposed Pad (PKG face down)

Recommended Land Pattern (PKG face down)



Note: All dimensions shown in micrometers ( $\mu\text{m}$ )

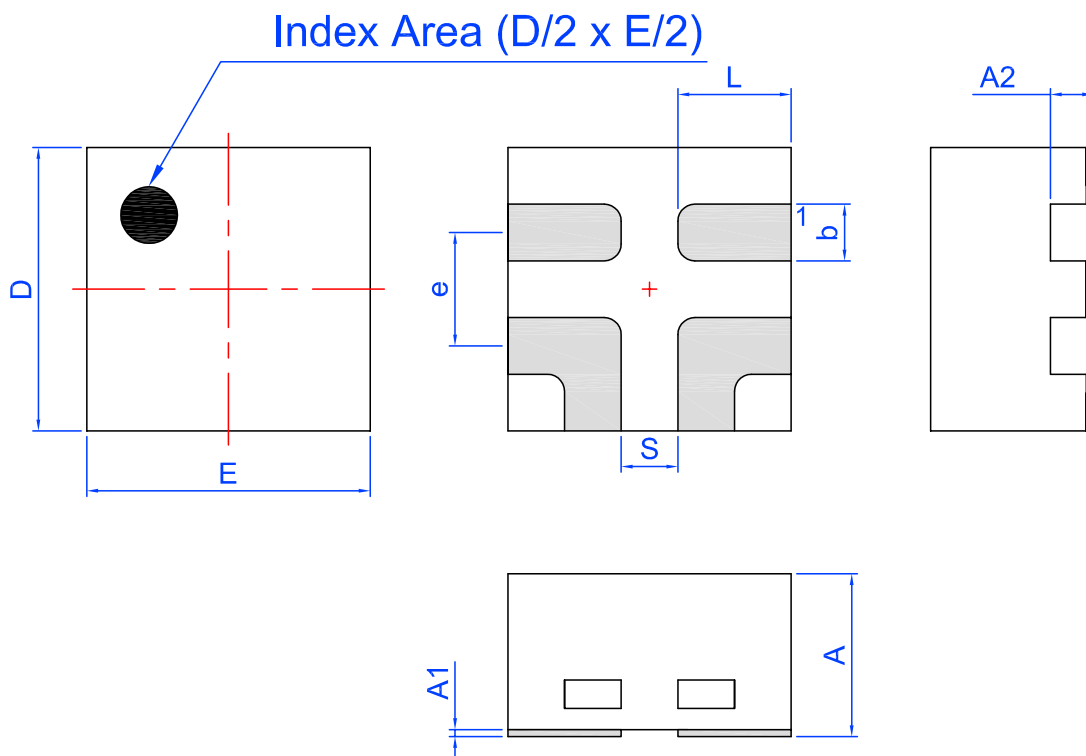
Package Top Marking System Definition



NN -Part Serial Number Field Line 1  
 where each "N" character can be A-Z and 0-9  
 + - Part Serial Number Field Line 2  
 where "+" character can be +, -, =, or blank

Package Drawing and Dimensions

4 Lead STDFN Package 1.0 x 1.0 mm  
IC Net Weight: 0.0016 g



Unit: mm

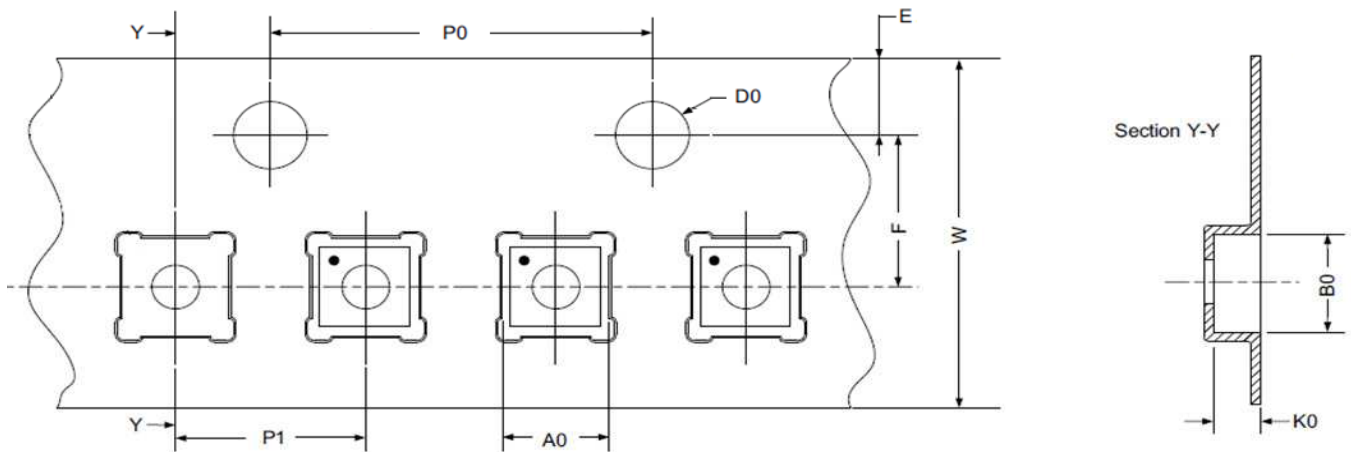
Symbol	Min	Nom.	Max	Symbol	Min	Nom.	Max
A	0.50	0.55	0.60	D	0.95	1.00	1.05
A1	0.005	-	0.060	E	0.95	1.00	1.05
A2	0.10	0.15	0.20	L	0.35	0.40	0.45
b	0.15	0.20	0.25	S	0.2 REF		
e	0.40 BSC						

## Tape and Reel Specifications

Package Type	# of Pins	Nominal Package Size [mm]	Max Units		Reel & Hub Size [mm]	Leader (min)		Trailer (min)		Tape Width [mm]	Part Pitch [mm]
			per Reel	per Box		Pockets	Length [mm]	Pockets	Length [mm]		
STDFN 4L Green	4	1.0 x 1.0 x 0.55	8000	8000	178 / 60	200	400	200	400	8	2

## Carrier Tape Drawing and Dimensions

Package Type	Pocket BTM Length	Pocket BTM Width	Pocket Depth	Index Hole Pitch	Pocket Pitch	Index Hole Diameter	Index Hole to Tape Edge	Index Hole to Pocket Center	Tape Width
	A0	B0	K0	P0	P1	D0	E	F	W
STDFN 4L Green	1.16	1.16	0.63	4	2	1.5	1.75	3.5	8



Refer to EIA-481 specification

## Recommended Reflow Soldering Profile

Please see IPC/JEDEC J-STD-020: latest revision for reflow profile based on package volume of 0.55 mm<sup>3</sup> (nominal). More information can be found at [www.jedec.org](http://www.jedec.org).

**Revision History**

Date	Version	Change
2/14/2022	1.02	Renesas rebranding Fixed typos
11/20/2017	1.01	Updated Package Marking Definition Updated Layout Suggestion



## IMPORTANT NOTICE AND DISCLAIMER

RENESAS ELECTRONICS CORPORATION AND ITS SUBSIDIARIES (“RENESAS”) PROVIDES TECHNICAL SPECIFICATIONS AND RELIABILITY DATA (INCLUDING DATASHEETS), DESIGN RESOURCES (INCLUDING REFERENCE DESIGNS), APPLICATION OR OTHER DESIGN ADVICE, WEB TOOLS, SAFETY INFORMATION, AND OTHER RESOURCES “AS IS” AND WITH ALL FAULTS, AND DISCLAIMS ALL WARRANTIES, EXPRESS OR IMPLIED, INCLUDING, WITHOUT LIMITATION, ANY IMPLIED WARRANTIES OF MERCHANTABILITY, FITNESS FOR A PARTICULAR PURPOSE, OR NON-INFRINGEMENT OF THIRD-PARTY INTELLECTUAL PROPERTY RIGHTS.

These resources are intended for developers who are designing with Renesas products. You are solely responsible for (1) selecting the appropriate products for your application, (2) designing, validating, and testing your application, and (3) ensuring your application meets applicable standards, and any other safety, security, or other requirements. These resources are subject to change without notice. Renesas grants you permission to use these resources only to develop an application that uses Renesas products. Other reproduction or use of these resources is strictly prohibited. No license is granted to any other Renesas intellectual property or to any third-party intellectual property. Renesas disclaims responsibility for, and you will fully indemnify Renesas and its representatives against, any claims, damages, costs, losses, or liabilities arising from your use of these resources. Renesas' products are provided only subject to Renesas' Terms and Conditions of Sale or other applicable terms agreed to in writing. No use of any Renesas resources expands or otherwise alters any applicable warranties or warranty disclaimers for these products.

(Disclaimer Rev.1.01 Jan 2024)

### Corporate Headquarters

TOYOSU FORESIA, 3-2-24 Toyosu,  
Koto-ku, Tokyo 135-0061, Japan  
[www.renesas.com](http://www.renesas.com)

### Trademarks

Renesas and the Renesas logo are trademarks of Renesas Electronics Corporation. All trademarks and registered trademarks are the property of their respective owners.

### Contact Information

For further information on a product, technology, the most up-to-date version of a document, or your nearest sales office, please visit [www.renesas.com/contact-us/](http://www.renesas.com/contact-us/).