

### Features

- Operation Voltage: 16V~60V
- Max. Output current capability up to 5A
- Max. Output power up to 35W
- Built in output over power protection
- Built in output short protection function
- Built in output overvoltage protection
- Built in current limit protection function
- Built in thermal shutdown function
- Low quiescent current: 30mA
- Low Distortion: 0.015%, 1KHz, 20W
- Open loop gain up to 90dB
- 94dB Ripple Rejection
- Available in TO220B-5L package

### Applications

- Car Audio Amplifiers
- Stage Sound
- Multimedia Speakers
- Open Mobile Sound System

### General Description

XL2050A is a mono Class AB audio power amplifier optimized for high voltage, high power and high efficiency. XL2050A has low quiescent current and minimizing system power consumption. XL2050A has excellent audio performance and achieved extremely low distortion levels even at 35W power levels.

The XL2050A built-in over power protection, current limit protection, output overvoltage protection, output short protection, and thermal shutdown protection, which greatly improves the reliability and stability of the chip. The XL2050A achieves 20W@THD=0.015% of output power at an input voltage of  $\pm 25V$  and a load impedance of 4 $\Omega$  or 8 $\Omega$ , and 35W@THD=1% at an input voltage of  $\pm 30V$  and a load impedance of 4 $\Omega$  or 8 $\Omega$ . The highly integrated solution can reduce the printed circuit board space while minimizing external components.

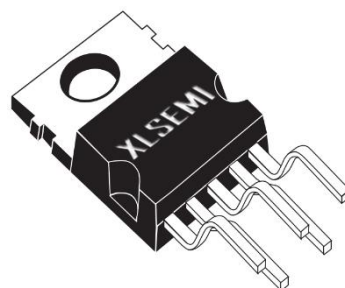


Figure1. Package Type of XL2050A

## Pin Configurations

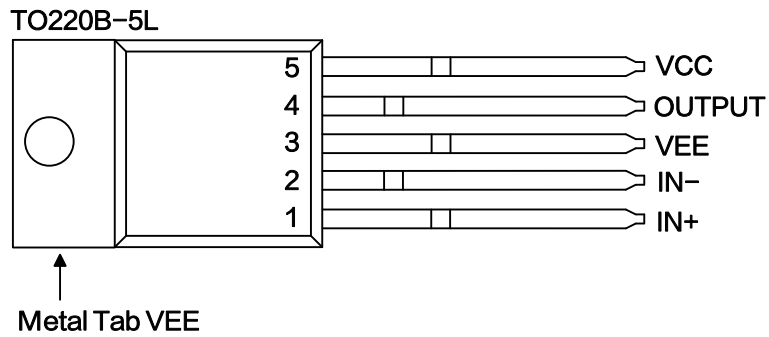


Figure2. Pin Configuration of XL2050A

Table 1 Pin Description

Pin Number	Pin Name	Description
1	IN+	Isotropic terminal, audio signal input.
2	IN-	Reverse terminal, negative feedback input.
3	VEE	Ground/negative power supply side.
4	OUTPUT	Power amplifier output.
5	VCC	Positive power supply side.

## Function Block

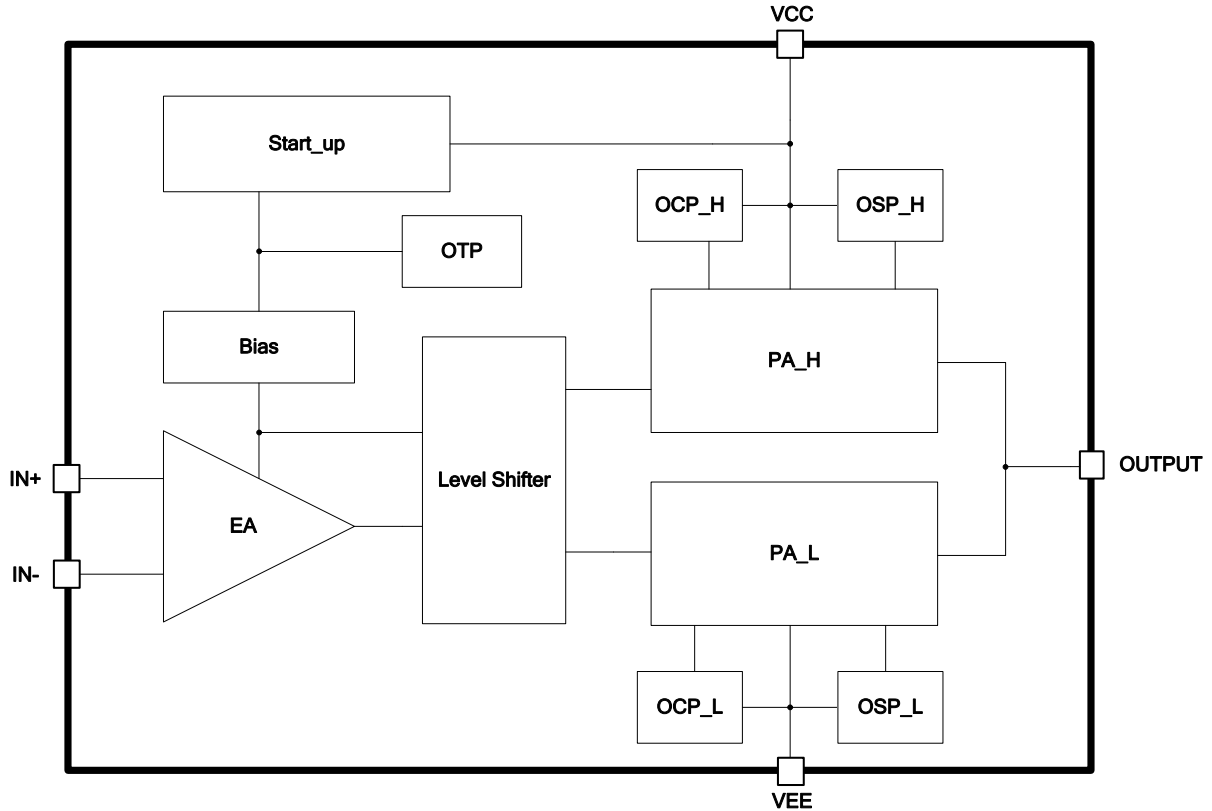


Figure3. Function Block Diagram of XL2050A

## Typical Application Circuit

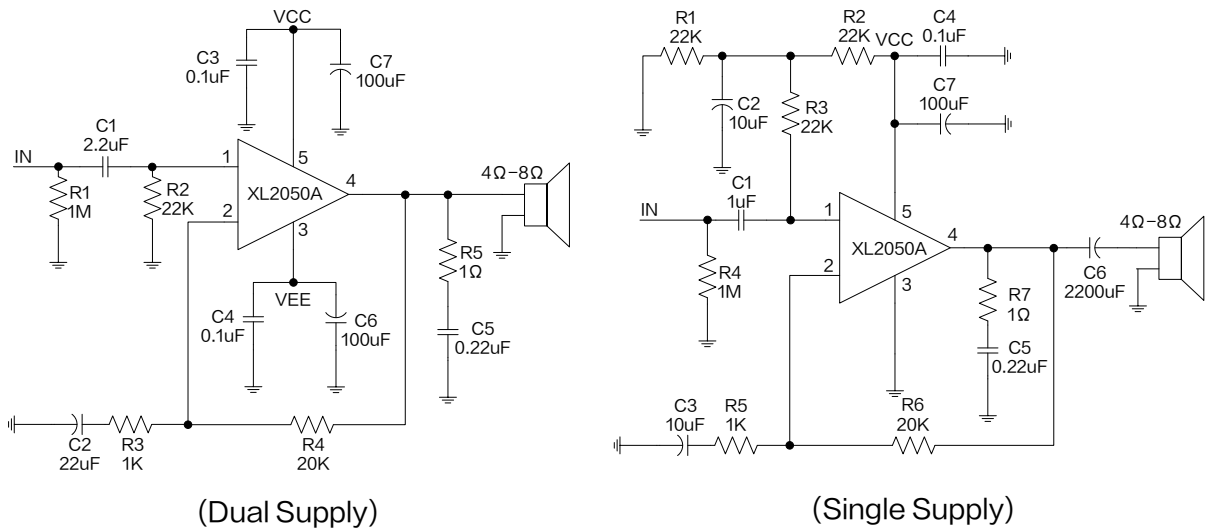


Figure 4. XL2050A Typical Application Circuit

35W 5A 60V High Voltage High Power Audio Power Amplifier

XL2050A

## Ordering Information

Order Information	Marking ID	Package Type	Eco Plan	Packing Type Supplied As
XL2050A	XL2050A	TO220B-5L	RoHS & HF	50 Units Per Tube/ 1000Units Per Box

## Absolute Maximum Ratings ( Note1 )

Parameter	Symbol	Value	Unit
Supply Voltage (Single Supply)	$V_{CC}$	80	V
Supply Voltage (Dual Supply)	$V_S$	$\pm 40$	V
Input Signal Voltage	$V_{IN}$	$V_{EE} \sim V_{CC}$	V
Thermal Resistance (TO220B-5L) (Junction to Ambient, No Heatsink, Free Air)	$R_{JA}$	73	$^{\circ}C/W$
Thermal Resistance (TO220B-5L) (Junction to Case)	$R_{JC}$	3	$^{\circ}C/W$
Power Dissipation ( $T_c=75^{\circ}C$ ) (Note 2)	$P_D$	22	W
Operating Junction Temperature	$T_J$	150	$^{\circ}C$
Storage Temperature	$T_{STG}$	-65~150	$^{\circ}C$
Lead Temperature (Soldering, 10 sec)	$T_{LEAD}$	260	$^{\circ}C$

**Note1:** Stresses greater than those listed under Maximum Ratings may cause permanent damage to the device. This is a stress rating only and functional operation of the device at these or any other conditions above those indicated in the operation is not implied. Exposure to absolute maximum rating conditions for extended periods may affect reliability.

**Note2:** For operation at case temperatures above  $25^{\circ}C$ , derating is performed based on a maximum junction temperature of  $75^{\circ}C$  and a thermal resistance of  $R_{JC}=3.0^{\circ}C/W$  (junction to case).

## 35W 5A 60V High Voltage High Power Audio Power Amplifier

XL2050A

### XL2050A Electrical Characteristics

$T_A = 25^\circ\text{C}$ ,  $V_{CC}=25\text{V}$ ,  $V_{EE}=-25\text{V}$ ,  $R_L=8\Omega$ ,  $A_v=21$  (26dB),  $f_0=1\text{KHz}$ ; system parameters test circuit figure4, unless otherwise specified.

Parameters	Symbol	Test Condition	Min.	Typ.	Max.	Unit
Supply Voltage (Single Supply)	$V_{CC}$	-	16	-	60	V
Supply Voltage (Dual Supply)	$V_S$	-	$\pm 8$	-	$\pm 30$	V
Quiescent Supply Current	$I_Q$	$P_o=0\text{W}$	-	30	-	mA
Output Power (Note3)	$P_o$	THD=1%	-	35	-	W
Total Harmonic Distortion	THD	$P_o=20\text{W}, f_0=1\text{KHz}$	-	0.015	0.4	%
		$P_o=20\text{W}, f_0=20\text{KHz}$	-	0.05	0.4	%
Offset Voltage	$V_{OS}$	-	-	$\pm 3$	$\pm 15$	mV
Input Bias Current	$I_B$	-	-	$\pm 0.2$	$\pm 2$	$\mu\text{A}$
Input Offset Current	$I_{OS}$	-	-	0	$\pm 0.5$	$\mu\text{A}$
Gain-Bandwidth Product	GBW	-	-	5.5	-	MHz
Open Loop Gain	$A_{VO}$	DC	-	90	-	dB
Power Supply Rejection Ratio	PSRR	$V_{CC}, 1\text{KHz}, 1\text{Vrms}$	52	95	-	dB
		$V_{EE}, 1\text{KHz}, 1\text{Vrms}$	52	83	-	dB
Max Slew Rate	SR	$P_o=20\text{W}$ 70KHz BW	-	8	-	V/us
Current Limit	$I_L$	$V_{OUT}=V_S-10\text{V}$	-	-	5	A
Equivalent Input Noise Voltage	$V_N$	$R_S=600\Omega, \text{CCIR}$	-	3	-	$\mu\text{V rms}$
Thermal Shutdown Temperature	$T_{SD}$	-	-	150	-	$^\circ\text{C}$
Thermal Shutdown Hysteresis	$T_D$	-	-	40	-	$^\circ\text{C}$

**Note3:** Assumes the use of a heat sink having a thermal resistance of  $1^\circ\text{C/W}$  and no insulator with an ambient temperature of  $25^\circ\text{C}$ . Because the output limiting circuitry has a negative temperature coefficient, the maximum output power delivered to a  $4\Omega$  load may be slightly reduced when the tab temperature exceeds  $55^\circ\text{C}$ .

### Typical Performance Characteristics

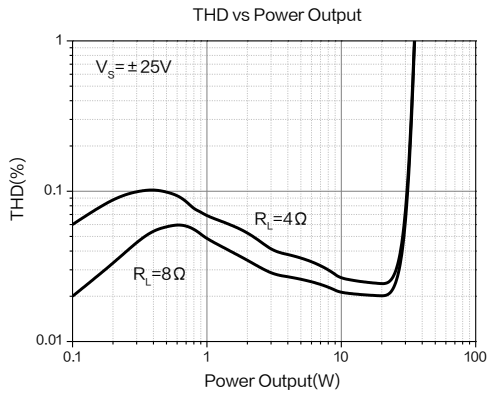


Figure 5. THD vs Power Output

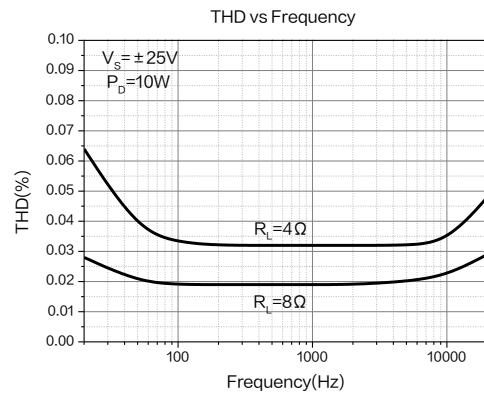


Figure 6. THD vs Frequency

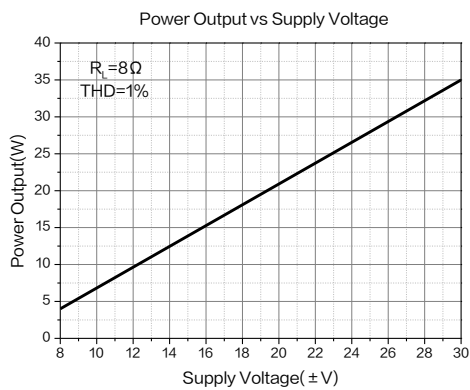


Figure 7. Power Output vs Supply Voltage

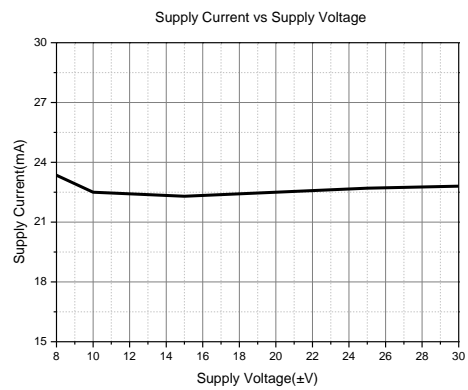


Figure 8. Quiescent Current

## 35W 5A 60V High Voltage High Power Audio Power Amplifier

XL2050A

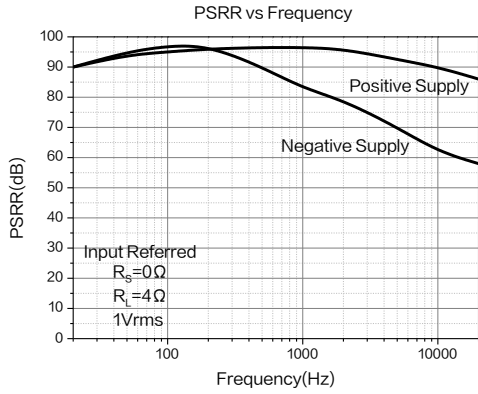


Figure 9. PSRR vs Frequency

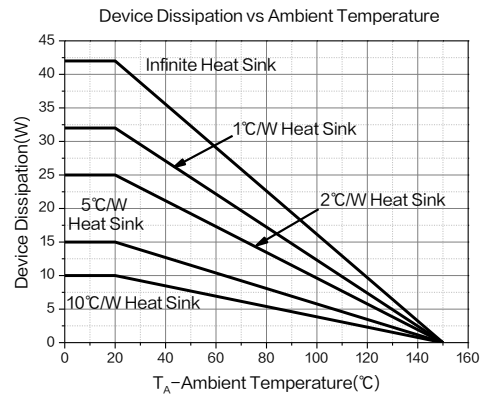


Figure 10. Device Dissipation vs Ambient Temperature

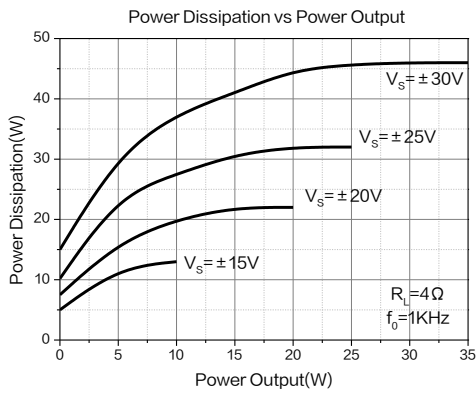


Figure 11. Power Dissipation vs Power Output (4Ω)

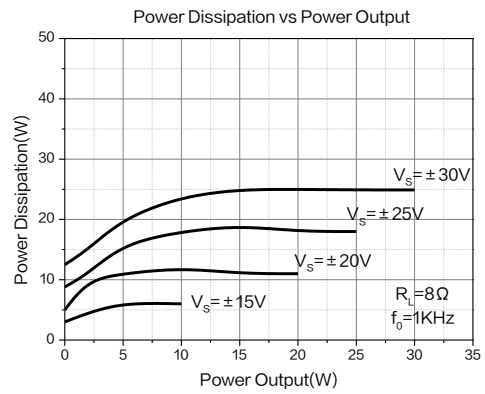
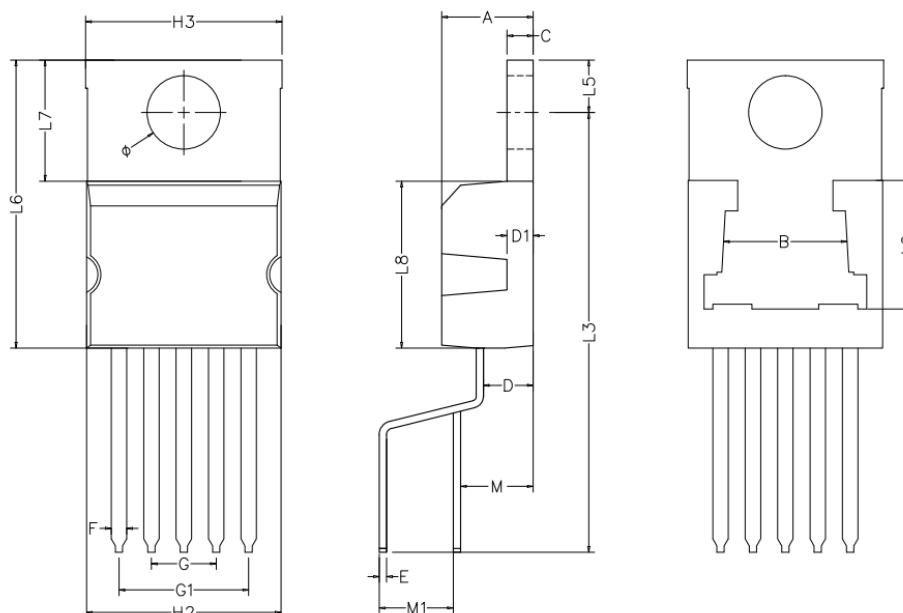


Figure 12. Power Dissipation vs Power Output (8Ω)

### Package Information

#### TO220B-5L



Symbol	Dimensions In Millimeters			Dimensions In Inches		
	Min.	Nom.	Max.	Min.	Nom.	Max.
A	4.20	-	4.80	0.165	-	0.189
B	6.50	-	-	0.255	-	-
C	1.20	-	1.37	0.047	-	0.054
D	2.40	-	2.80	0.094	-	0.110
D1	1.20	-	1.35	0.047	-	0.053
E	0.35	0.38	0.55	0.013	0.015	0.022
F	0.75	0.80	0.85	0.029	0.031	0.033
G	3.20	3.40	3.60	0.126	0.134	0.142
G1	6.60	6.80	7.00	0.260	0.268	0.276
H2	9.80	-	10.20	0.385	-	0.402
H3	10.05	-	10.40	0.395	-	0.409
L3	22.50	-	23.50	0.885	-	0.925
L5	2.60	-	3.00	0.102	-	0.118
L6	15.10	-	15.80	0.594	-	0.622
L7	5.60	-	6.20	0.220	-	0.244
L8	9.20	-	9.40	0.362	-	0.370
L9	6.50	-	-	0.256	-	-
M	3.05	3.30	3.55	0.120	0.130	0.140
M1	3.40	3.90	4.40	0.133	0.153	0.173
$\phi$	3.80	-	3.90	0.149	-	0.154

---

35W 5A 60V High Voltage High Power Audio Power Amplifier	XL2050A
--	---------

---

### Important Notice

XLSEMI reserve the right to make modifications, enhancements, improvements, corrections or other changes without notice at any time. XLSEMI does not assume any liability arising out of the application or use of any product described herein; neither does it convey any license under its patent rights, nor the rights of others. XLSEMI assumes no liability for applications assistance or the design of Buyers' products. Buyers are responsible for their products and applications using XLSEMI components. To minimize the risks associated with Buyers' products and applications, Buyers should provide adequate design and operating safeguards. XLSEMI warrants performance of its products to the specifications applicable at the time of sale, in accordance with the warranty in XLSEMI's terms and conditions of sale of semiconductor products. Testing and other quality control techniques are used to the extent XLSEMI deems necessary to support this warranty. Except where mandated by applicable law, testing of all parameters of each component is not necessarily performed.

For the latest product information, go to [www.xlsemi.com](http://www.xlsemi.com).