

Description

BP8521C is a highly integrated non-isolated buck constant voltage driver chip without VCC capacitor applied for 85Vac~265Vac universal voltage input non-isolated power supply.

BP8521C integrates a 550V power switch and current sampling, as well as a freewheeling diode. It adopts voltage and current control technology. It achieves excellent constant voltage characteristics without external VCC capacitors and loop compensation capacitors, which greatly saves system cost and volume.

BP8521C adopts multi-mode control technology to effectively reduce the standby power consumption of the system, improve the efficiency and dynamic performance, and reduce the noise of the system when working in light load.

BP8521C adopts SOP-8 package.

Features

- No VCC capacitor
- Low standby power consumption <50mW
- Fixed 3.3V output voltage
- Internal integrated 550V power MOSFET
- HV start-up and power supply circuit
- Reduced audible noise at light load
- Frequency jittering technology to improve EMI
- Internal soft start
- Comprehensive protections
 - Overload protection (OLP)
 - Short circuit protection (SCP)
 - Over temperature protection(OTP)
 - Cycle by cycle current limit

Applications

- Auxiliary power supply



Typical Application

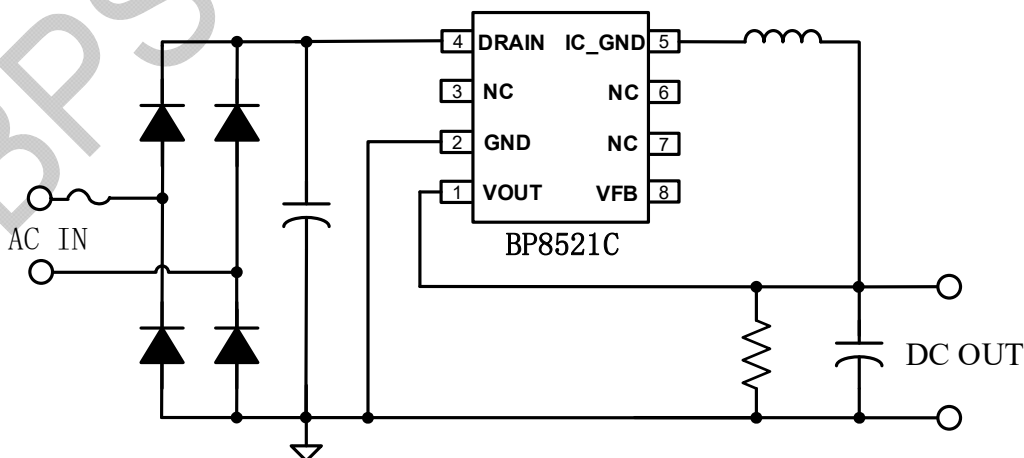


Figure 1. Typical buck application with the BP8521C

Ordering Information

Part Number	Package	Packing	Marking
BP8521C	SOP8	Tape & Reel 4,000 pcs/Reel	BP8521 XXXXXXY ZZZZWWC

Pin Configuration and Marketing Information

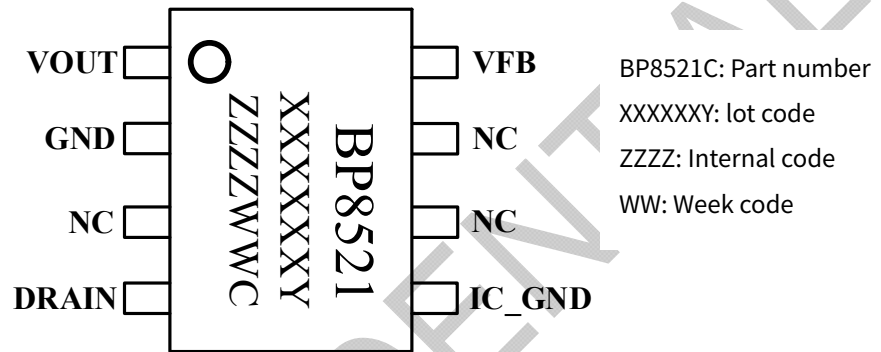


Figure 2. Pin Configuration

Pin Functions

Pin NO.	Pin Name	Description
1	VOUT	Output voltage terminal
2	GND	Output voltage reference ground
3,6,7	NC	No connection
4	DRAIN	The drain of the high-voltage power MOSFET inside the IC
5	IC_GND	IC ground
8	VFB	Voltage detection terminal

Disclaimer

The information provided in this datasheet is believed to be accurate and reliable. However, Bright Power Semiconductor (BPS) reserves the right to make changes at any time without prior notice.

No license, to any intellectual property right owned by BPS or any other third party, is granted under this document. BPS provides information in this datasheet “AS IS” and with all faults, and makes no warranty, express or implied, including but not limited to, the accuracy of the information provided in this datasheet, merchantability, fitness of a specific purpose, or non-infringement of intellectual property rights of BPS or any other third party. BPS disclaims any and all liabilities arising out of this datasheet or use of this datasheet, including without limitation consequential or incidental damages.

BPS CONFIDENTIAL