

**TYPE:**  
**KW43Z-3**

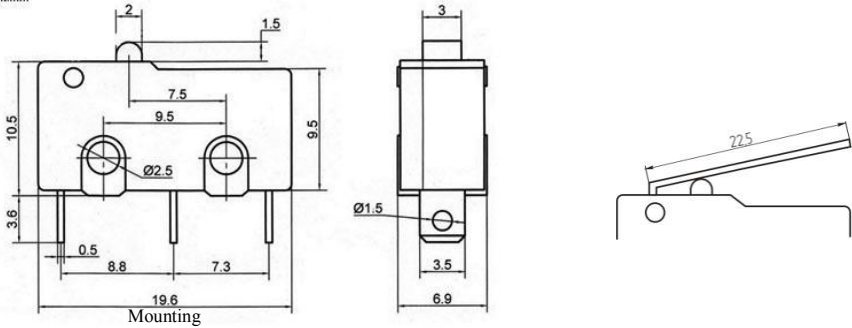


**SPECIFICATIONS**

Contact Type	SPDT
Rating AC	250V, 5A
Contacts Resistance	20mΩ Max
Insulation Resistance	100MΩ Min
Minimum Load	DC 100V
Dielectric Strengths	AC 1500V / 1 minute
Life Test	50 000 cycles/ minute
Operating temperature range	-25°C, 0 +120°C

Outline Drawing

Unit:mm



Circuitry

