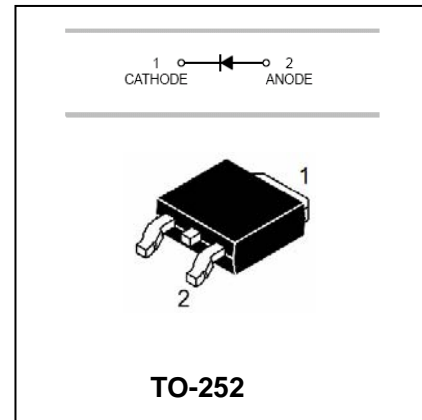


## Dual Schottky Rectifiers

## MBRD830-MBRD8100

### FEATURES

- High surge capacity.
- For use in low voltage,high frequency inverters free wheeling,and polarity protection applications.
- Metal silicon junction,majority carrier conduction.
- High current capacity,low forward voltage drop.
- Guard ring for over voltage protection.



### MAXIMUM RATING operating temperature range applies unless otherwise specified

Symbol	Parameter	MBRD 830	MBRD 835	MBRD 840	MBRD 845	MBRD 850	MBRD 860	MBRD 880	MBRD 8100	Unit
$V_{RRM}$	Rcurrent Peak Reverse Voltage	30	35	40	45	50	60	80	100	V
$V_{RMS}$	RMS Voltage	21	25	28	32	35	42	56	70	V
$V_{DC}$	DC Blocking Voltage	30	35	40	45	50	60	80	100	V
$I_{F(AV)}$	Average Forward Rectified Current @ $T_A=100^{\circ}C$	8.0								A
$I_{FSM}$	Peak Forward Surge Current 8.3ms Single Half Sine-wave Superimosed on Rated Load	150								A
$R_{\theta JC}$	Typical Thermal Resistance(Note1)	3.0								$^{\circ}C/W$
$T_j T_{stg}$	Operating Junction and Storage Temperature Range	-55 to +150								$^{\circ}C$

Note:1.Thermal resistance junction to case.



# Dual Schottky Rectifiers

# MBRD830-MBRD8100

## ELECTRICAL CHARACTERISTICS @ Ta=25°C unless otherwise specified

Parameter	Symbol	Test conditions	MAX			UNIT
			MBRD830-MBRD845	MBRD850-MBRD860	MBRD880-MBRD8100	
Forward Voltage	V <sub>F</sub> (Note1)	I <sub>F</sub> =8A, T <sub>A</sub> =25°C	0.70	0.80	0.85	V
		I <sub>F</sub> =8A, T <sub>A</sub> =125°C	0.57	0.70	-	
Reverse Current	I <sub>R</sub>	V <sub>R</sub> =V <sub>RRM</sub> , T <sub>A</sub> =25°C	0.1	0.1	0.1	mA
		V <sub>R</sub> =V <sub>RRM</sub> , T <sub>A</sub> =125°C	15	25	50	

Note:1.Pulse test:300us pulse width,1% duty cycle.

## TYPICAL CHARACTERISTICS @ Ta=25°C unless otherwise specified

FIG.1 – FORWARD CURRENT DERATING CURVE

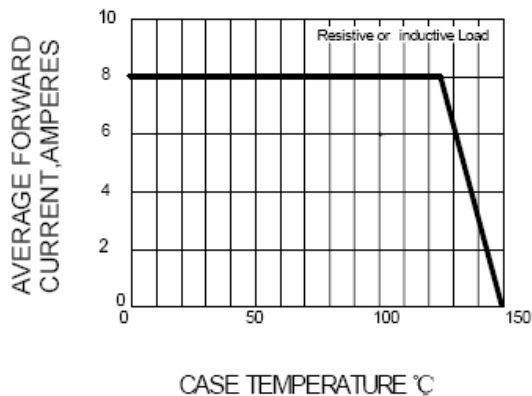


FIG.2 -- MAXIMUM NON-REPETITIVE PEAK FORWARD SURGE CURRENT PER LEG

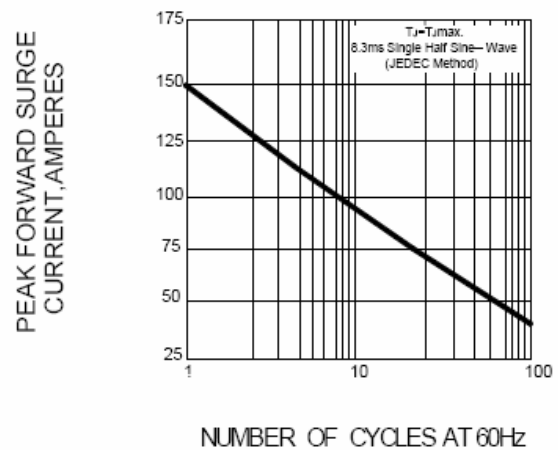


FIG.3 – TYPICAL INSTANTANEOUS FORWARD CHARACTERISTIC PER LEG

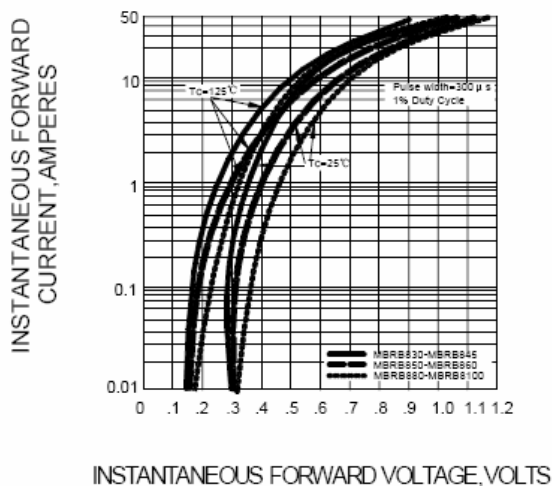
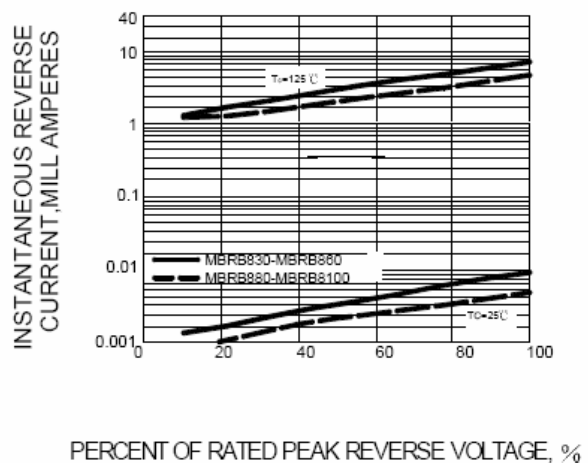


FIG.4 – TYPICAL REVERSE CHARACTERISTICS



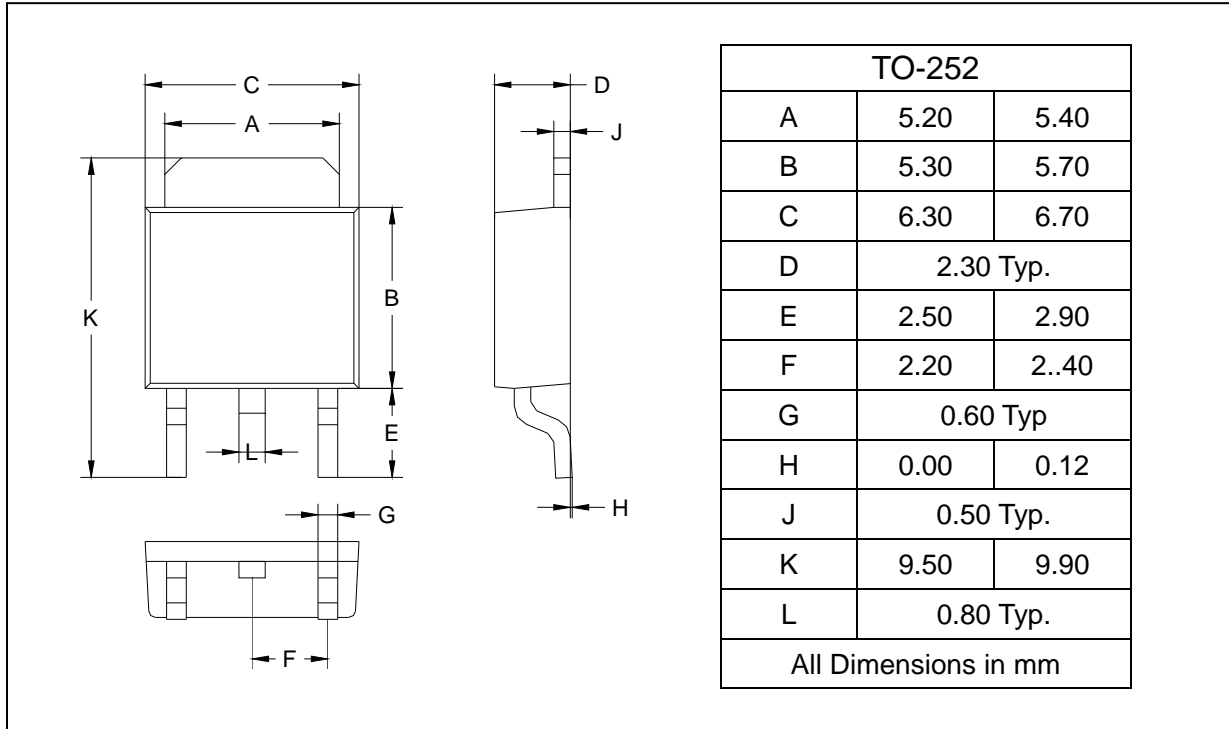
## Dual Schottky Rectifiers

## MBRD830-MBRD8100

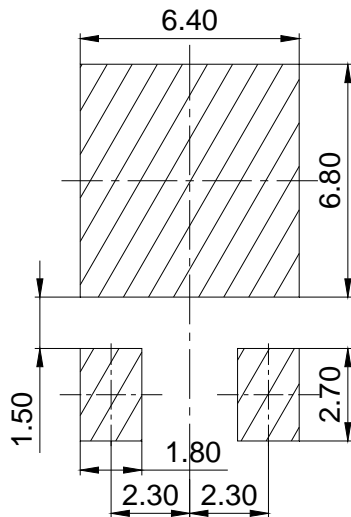
### PACKAGE OUTLINE

Plastic surface mounted package

TO-252



### SOLDERING FOOTPRINT



Unit:mm



---

## Dual Schottky Rectifiers

## MBRD830-MBRD8100

---

### PACKAGE INFORMATION

Device	Package	Shipping
MBRD830-MBRBD100	TO-252	80PCS/Tube
		2500PCS/Tape&Reel