

■ **FEATURES**

- UL recognition, file #E230084
- Suitable for printed circuit board or chassis mount
- Compact construction
- High surge current capability
- Solder dip 275 °C max. 7 s, per JESD 22-B106

■ **TYPICAL APPLICATIONS**

The KBPC series of single phase rectifier bridge consists of four silicon junctions connected as a full bridge. These devices are intended for general use in industrial and consumer equipment.

■ **MECHANICAL DATA**

- **Package:** KBPC1
Molding compound meets UL 94 V-0 flammability rating, RoHS-compliant
- **Terminals:** Tin plated leads, solderable per J-STD-002 and JESD22-B102
- **Polarity:** As marked on body

■ **MAXIMUM RATINGS** (T_a=25°C Unless otherwise specified)

PARAMETER	SYMBOL	UNIT	KBPC1005	KBPC101	KBPC102	KBPC104	KBPC106	KBPC108	KBPC110
Device marking code			KBPC1005	KBPC101	KBPC102	KBPC104	KBPC106	KBPC108	KBPC110
Repetitive Peak Reverse Voltage	VRRM	V	50	100	200	400	600	800	1000
Average Rectified Output Current @60Hz sine wave, R-load, T _a =40°C	I _O	A	2.0						
Surge(Non-repetitive)Forward Current @60Hz Half- sine Wave, 1 cycle, T _a =25°C	I _{FSM}	A	45						
Current Squared Time @1ms≤t≤8.3ms T _j =25°C, Rating of per diode	I ² t	A ² S	8.5						
Storage Temperature	T _{stg}	°C	-55 ~+150						
Junction Temperature	T _j	°C	-55 ~+150						

■ **ELECTRICAL CHARACTERISTICS** (T_a=25°C Unless otherwise specified)

PARAMETER	SYMBOL	UNIT	TEST CONDITIONS	KBPC1005	KBPC101	KBPC102	KBPC104	KBPC106	KBPC108	KBPC110
Maximum instantaneous forward voltage drop per diode	V _{FM}	V	I _{FM} =1 A	1.1						
Maximum DC reverse current at rated DC blocking voltage per diode	I _{RRM}	µA	V _{RM} =V _{RRM}	10						

■ **THERMAL CHARACTERISTICS** (T_a=25°C Unless otherwise specified)

PARAMETER	SYMBOL	UNIT	KBPC1005	KBPC101	KBPC102	KBPC104	KBPC106	KBPC108	KBPC110
Thermal Resistance Between junction and ambient	R _{θJ-A}	°C/W	35						

■ **PACKAGING INFORMATION**

PREFERRED P/N	PACKAGE CODE	UNIT WEIGHT(g)	MINIMUM PACKAGE(pcs)	INNER BOX QUANTITY(pcs)	OUTER CARTON QUANTITY(pcs)	DELIVERY MODE
KBPC1005~KBPC110	A1	Approximate 2.5	200	200	2000	Paper Box

■ **CHARACTERISTICS (TYPICAL)**

FIG1:Io-Ta Curve

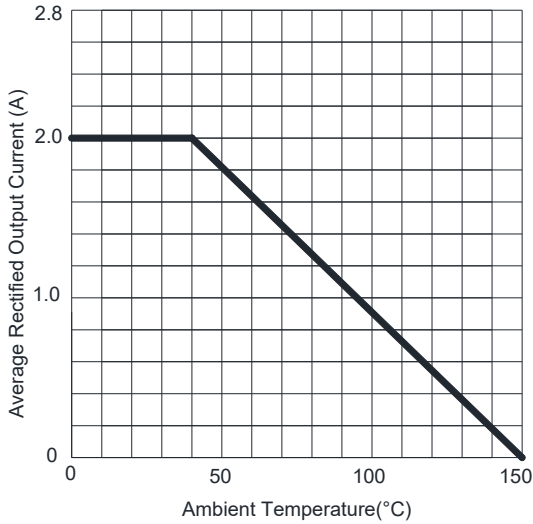


FIG2:Surge Forward Current Capability

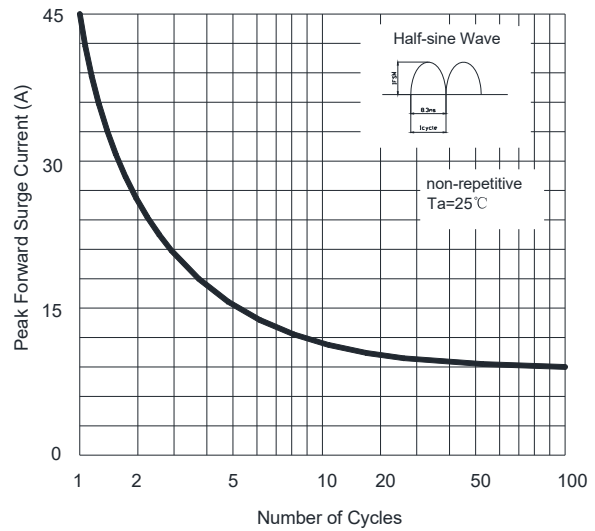


FIG3:Instantaneous Forward Voltage

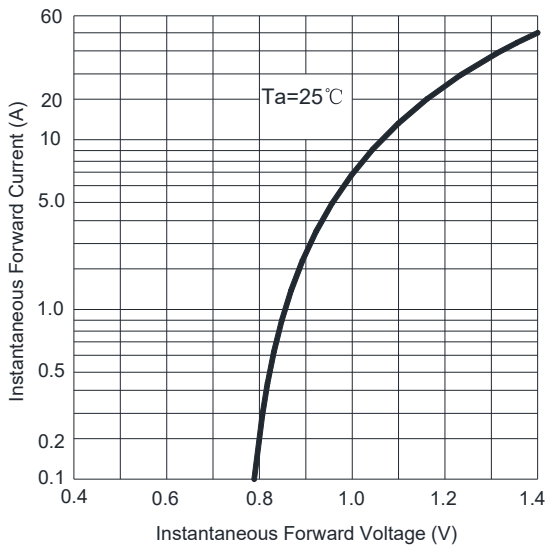
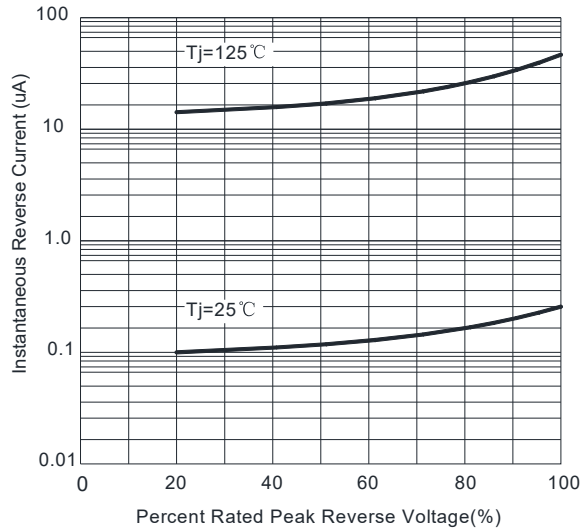
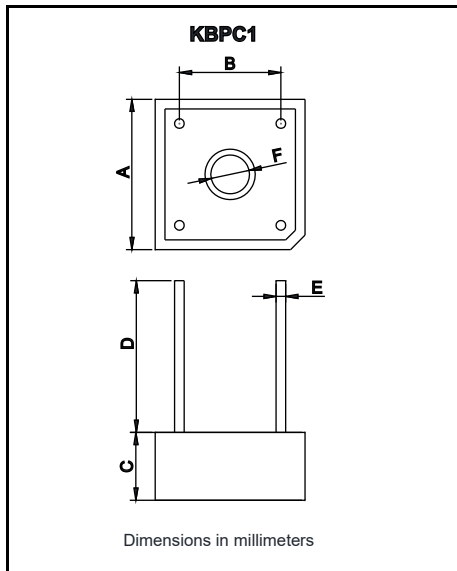


FIG4:Typical Reverse Characteristics



■ **OUTLINE DIMENSIONS**



KBPC1		
Dim	Min	Max
A	14.7	15.7
B	10.3	11.3
C	6.35	7.6
D	15.0	/
E	0.74	0.82
F	3.8	4.2