

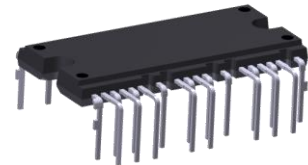
600V/3A 3-PHASE FULL-BRIDGE DRIVER (INTELLIGENT POWER MODULE)

1. DESCRIPTION

SDM03C60DA2 is a 3-phase brushless DC motor driver IC with highly-integrated and high reliability, using for small power motor drive applications such as fan motor, consisting of built-in 6 fast recovery MOSFET and 3 half-bridge HVIC for gate driving.

The under voltage, short circuit protections and temperature output integrated make the circuit work safely in a wide range. The current of each phase can be detected separately because there is one independent negative DC terminal for each phase.

SDM03C60DA2 is designed with good insulation, perfect thermal properties and low EMI. It is compact and suitable for built-in motors or any other applications requiring the compact installation.



DIP-25B

2. FEATURES

- ◆ Built-in 600V/3A fast recovery MOSFET
- ◆ Built-in high-voltage integrated circuit of gate driver
- ◆ Built-in under voltage protections, over current protection and temperature output
- ◆ Built-in shut-down input
- ◆ Built-in inter-lock function
- ◆ Built-in bootstrap diode with current limiting resistor
- ◆ Compatible with 3.3V, 5V MCU interface, active high
- ◆ Three independent negative DC terminals for inverter current detection
- ◆ Isolation rating: 1500V_{rms}/min

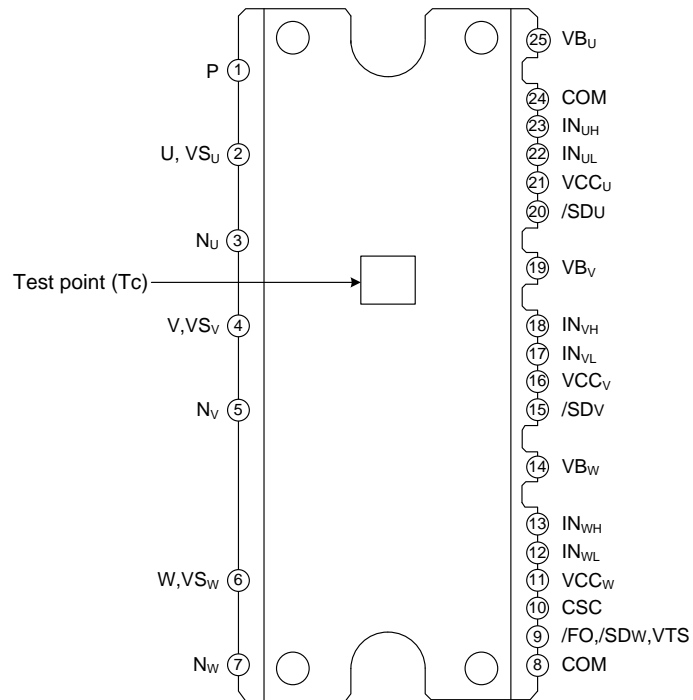
3. APPLICATIONS

- ◆ Power factor correction (PFC)
- ◆ SWPS

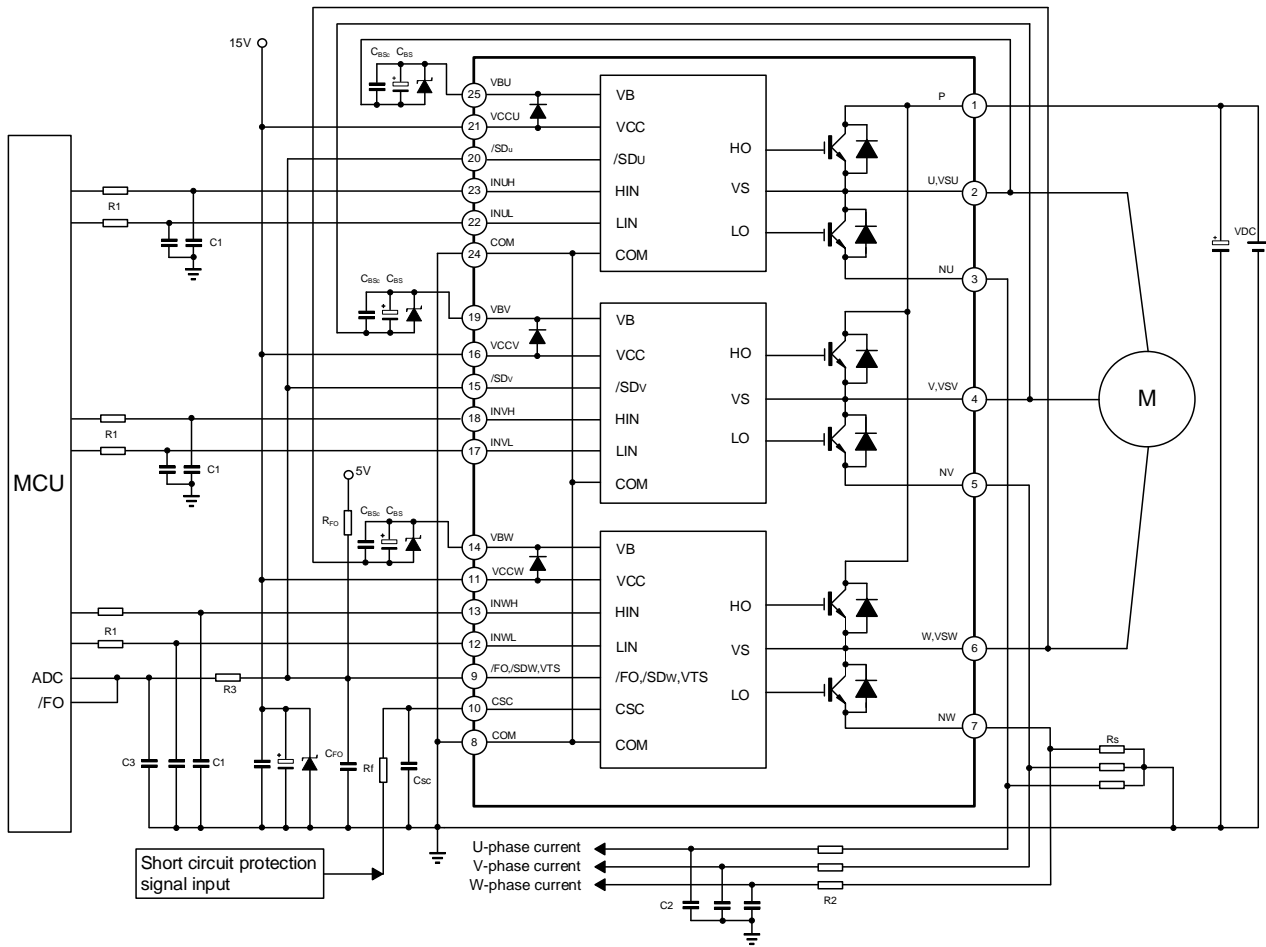
4. ORDERING INFORMATION

Part No.	Package	Marking	Hazardous Substance Control	Packing Type
SDM03C60DA2	DIP-25B	SDM03C60DA2	Halogen free	Tube

5. PIN CONFIGURATION



6. TYPICAL APPLICATION CIRCUIT



7. PACKAGE OUTLINE

