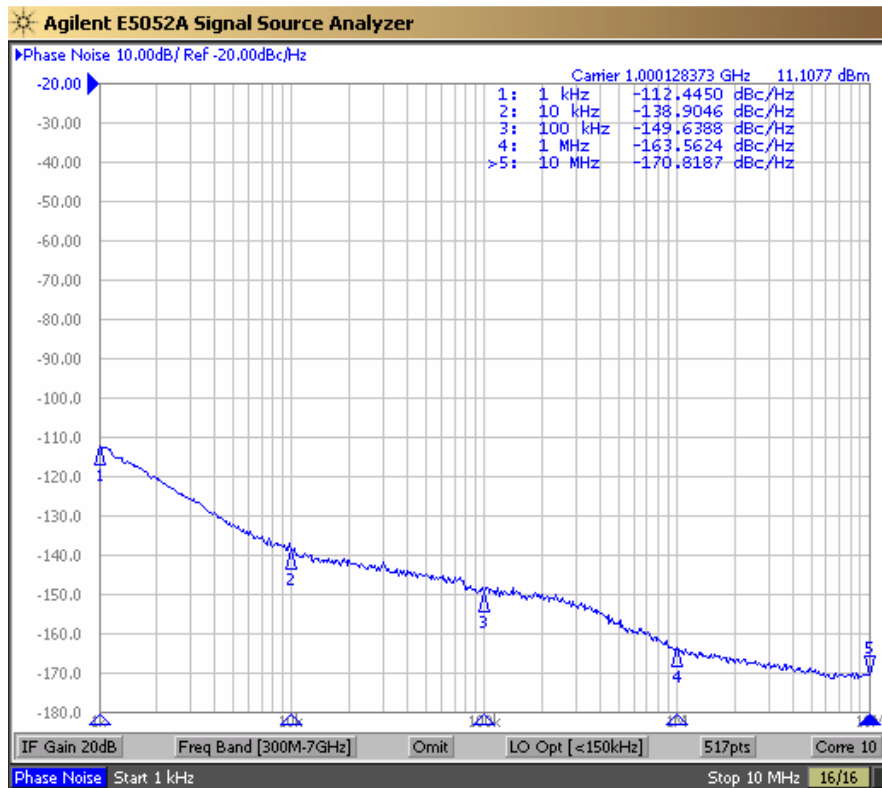


PERFORMANCE SPECIFICATION	MIN	TYP	MAX	UNITS
Lower Frequency:			1000	MHz
Upper Frequency:	1000			MHz
Tuning Voltage:	0		5.0	VDC
Supply Voltage:	4.75	5.0	5.25	VDC
Output Power:	+11.0	+13.5	+16.0	dBm
Supply Current:		35		mA
Harmonic Suppression (2 <sup>nd</sup> Harmonic):		-10	-5	dBc
Pushing:		5.0	10.0	kHz/V
Pulling, all Phases:		7.0	10.0	kHz pk-pk
Tuning Sensitivity:		120		kHz/V
Phase Noise @ 10kHz offset:		-135	-131	dBc/Hz
Phase Noise @ 100kHz offset:		-149	-146	dBc/Hz
Phase Noise @ 1MHz offset:		-163	-160	dBc/Hz
Phase Noise @ 10MHz offset:		-170	-167	dBc/Hz
Load Impedance:		50		Ω
Input Capacitance:			22	pF
Operating Temperature Range:	-20		+70	°C
Storage Temperature Range:	-45		+90	°C
G-sensitivity:		0.9×10 <sup>-9</sup>		per g

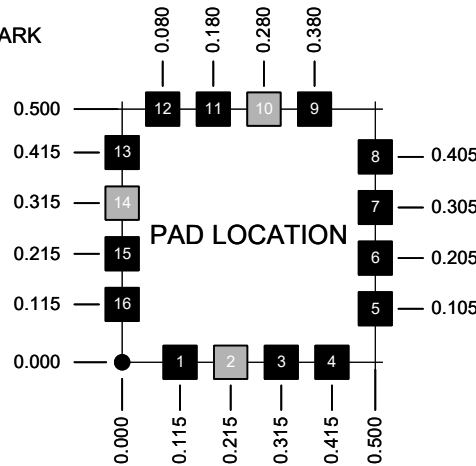
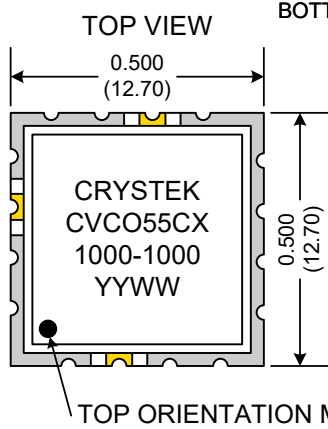
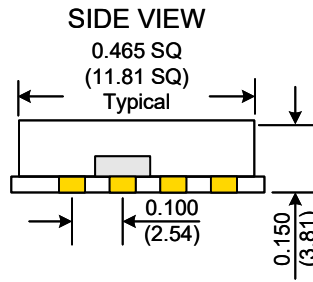
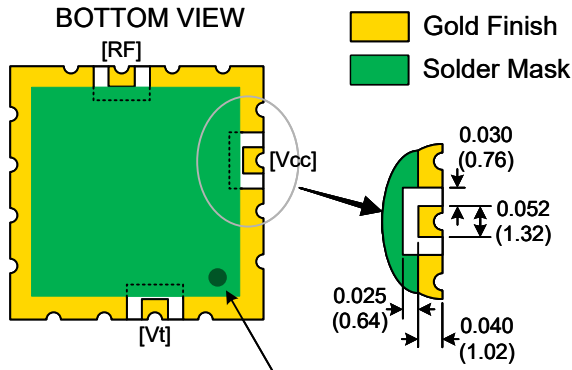
Phase Noise (1 Hz BW, Typical)



Product Control:

Crystek Part Number:	CVCO55CX-1000-1000	Release Date:	30-Jun-2025
Revision Level:	M	Responsible:	C. Vales

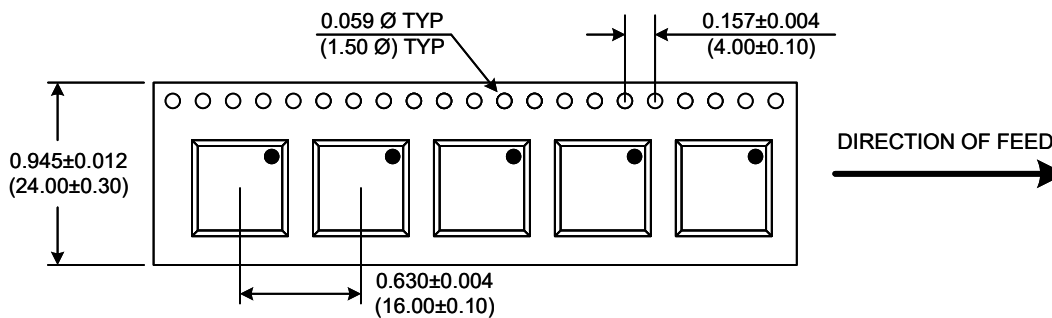




Pad	Connection
2	Vt
10	RF-OUTPUT
14	Vcc
Others	GROUND

- Unless otherwise specified, Dimensions are in:  $\frac{IN}{(mm)}$
- Pad Location Dimensions are in: Inches

**TAPE AND REEL**



Drawing not to scale

Product Control:			
Crystek Part Number:	CVCO55CX-1000-1000	Release Date:	30-Jun-2025
Revision Level:	M	Responsible:	C. Vales

Crystek Corporation reserves the right to make changes to its products and/or information contained herein without notice. No liability is assumed as a result of its use or application.