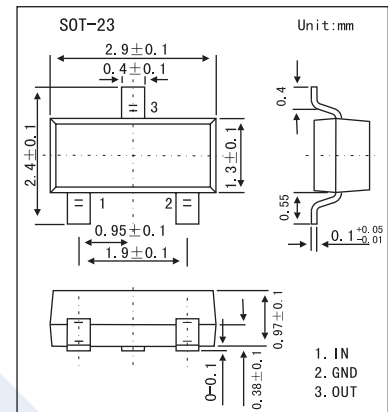


## Digital Transistors

## DTA114EK

## ■ Features

- PNP Epitaxial Planar Silicon Transistor (Resistor Built-In Typ.)
- Built-In Bias Resistors Enable The Configuration of An Inverter Circuit Without Connecting External Input Resistors  
(See Equivalent Circuit).

■ Absolute Maximum Ratings  $T_a = 25^\circ\text{C}$ 

Parameter	Symbol	Rating	Unit
Supply Voltage	$V_{CC}$	-50	V
Input Voltage	$V_{IN}$	-40 to +10	V
Output Current	$I_o$	-50	mA
	$I_{C(Max)}$	-100	
Power Dissipation	$P_D$	200	mW
Junction temperature	$T_j$	150	$^\circ\text{C}$
Storage temperature	$T_{stg}$	-55 to +150	$^\circ\text{C}$

■ Electrical Characteristics  $T_a = 25^\circ\text{C}$ 

Parameter	Symbol	Testconditions	Min	Typ	Max	Unit
Input Voltage	$V_{I(off)}$	$V_{CC} = -5V, I_o = -100 \mu A$			-0.5	V
	$V_{I(on)}$	$V_o = -0.3V, I_o = -10mA$	-3			
Output Voltage	$V_{O(on)}$	$I_o/I_i = -10mA/-0.5mA$			-0.3	V
Input Current	$I_i$	$V_i = -5V$			-0.88	mA
Output Current	$I_{O(off)}$	$V_{CC} = -50V, V_i = 0V$			-0.5	$\mu A$
DC Current Gain	$G_I$	$V_o = -5V, I_o = -5mA$	30			
Input Resistance	$R_1$		7	10	13	$k\Omega$
Resistance Ratio	$R_2/R_1$		0.8	1	1.2	
Transistion Frequency	$f_t^*$	$V_{CE} = -10V, I_E = 5mA, f = 100MHz$		250		MHz

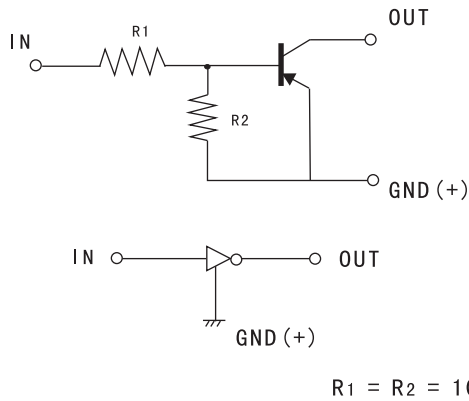
\* Characteristics of built-in transistor

## ■ Marking

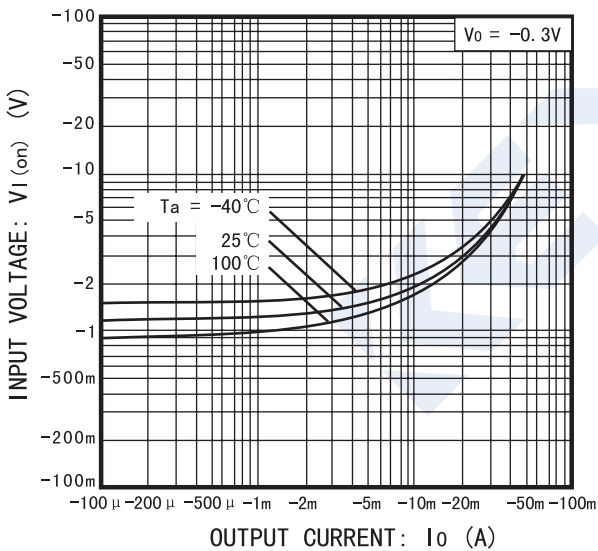
Marking	14
---------	----

### DTA114EK

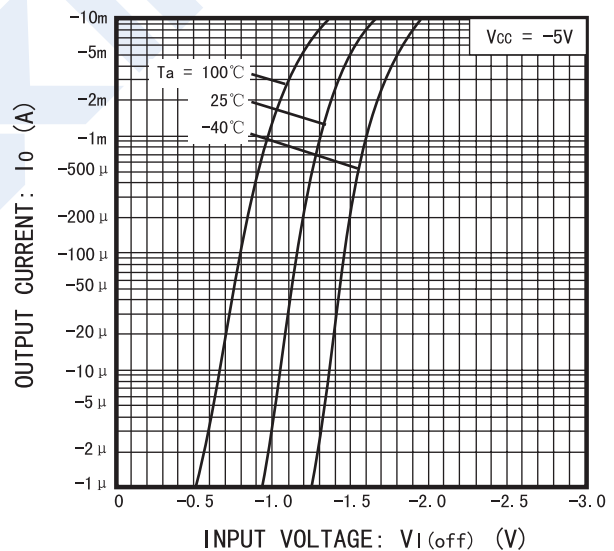
■ Equivalent Circuit



■ Electrical Characteristics Curves

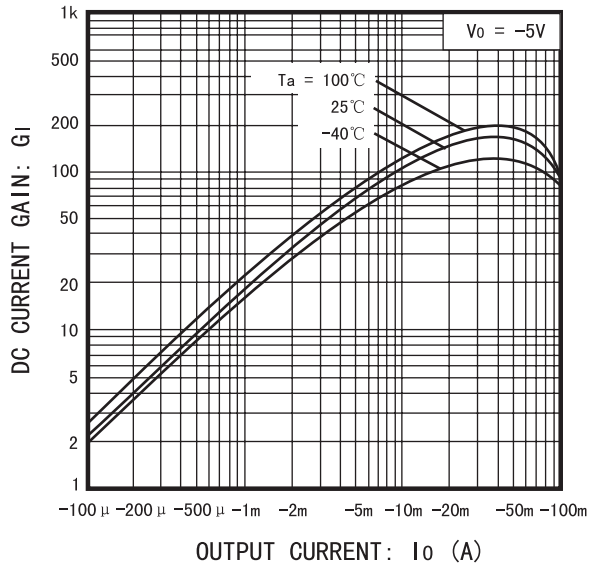


Input voltage vs. Output current  
(ON characteristics)

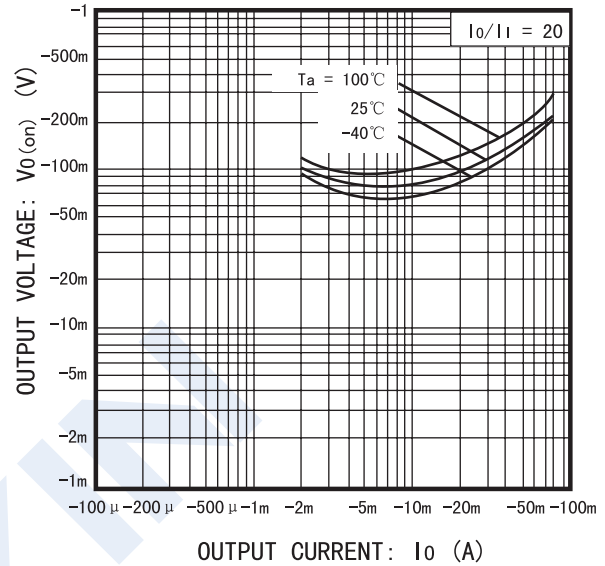


Output current vs. Input voltage  
(OFF characteristics)

DTA114EK



DC current gain vs. Output current



Output voltage vs. Output current