

Features

- ESD Protect for 8 high-speed I/O channels
- Provide ESD protection for each channel to
IEC 61000-4-2 (ESD) ±15kV (air/contact)
IEC 61000-4-5 (Lightning) 5A (8/20μs)
- **For low operating voltage of 5V and below**
- **Ultra low capacitance: 0.5pF typical**
- Fast turn-on and Low clamping voltage
- Array of ESD rated diodes with internal equivalent TVS (Transient Voltage Suppression) diode
- Solid-state silicon-avalanche and active circuit triggering technology
- Simplified layout for high-speed differential signaling channels
- **Green Part**

Applications

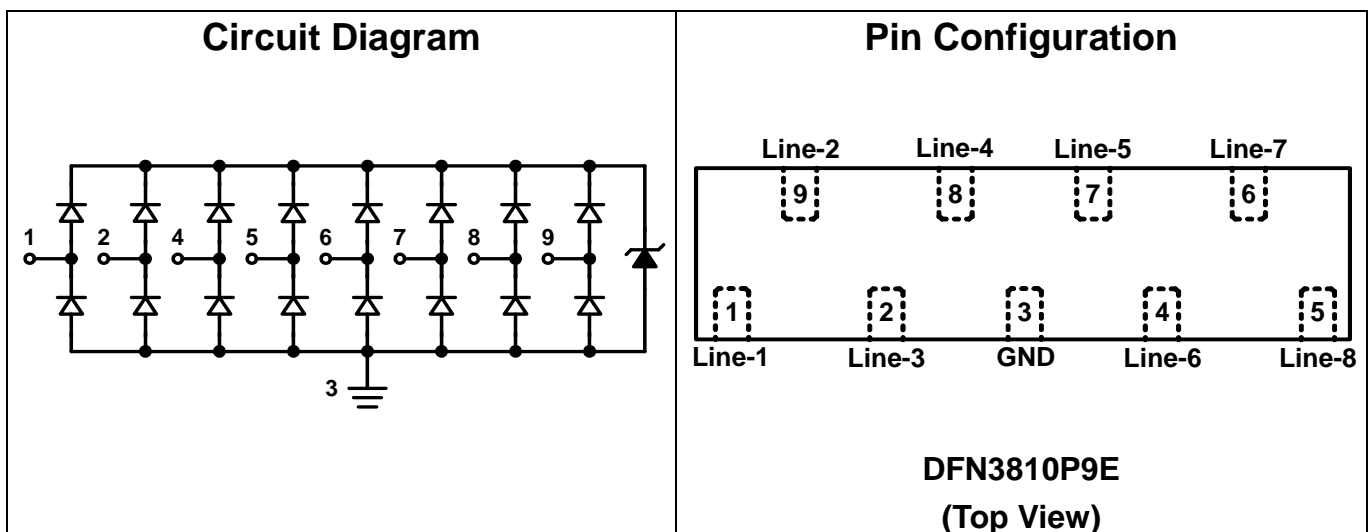
- USB Type-C
- HDMI Interface 1.3, 1.4 and 2.0 version
- DisplayPort interface
- SATA and eSATA interface
- V-By-One
- LVDS interfaces
- Ethernet port: 10/100/1000 Mb/s

Description

AZ1045-08F is a design which includes ESD rated clamping cell arrays to protect high speed data interfaces. The AZ1045-08F has been specifically designed to protect sensitive components which are connected to data and transmission lines from over-voltage caused by Electrostatic Discharging (ESD).

AZ1045-08F is a unique design which includes ESD rated, ultra low capacitance steering diodes and a unique design of clamping cell which is an equivalent TVS diode in a single package. During transient conditions, the steering diodes direct the transient to either the internal ESD line or ground line. The internal unique design of clamping cell prevents over-voltage on the internal ESD line and on the I/O line, which is protecting any downstream components.

AZ1045-08F may be used to meet the ESD immunity requirements of IEC 61000-4-2, Level 4 (±15kV air, ±8kV contact discharge).





SPECIFICATIONS

ABSOLUTE MAXIMUM RATINGS			
PARAMETER	SYMBOL	RATING	UNITS
Peak Pulse Current (tp = 8/20μs)	I _{PP}	5	A
Operating Supply Voltage (I/O pin – GND)	V _{DC}	(GND-0.5) to 5.5	V
ESD per IEC 61000-4-2 (Air)	V _{ESD-1}	±15	kV
ESD per IEC 61000-4-2 (Contact)	V _{ESD-2}	±15	kV
Lead Soldering Temperature	T _{SOL}	260 (10 sec.)	°C
Operating Temperature	T _{OP}	-55 to +85	°C
Storage Temperature	T _{STO}	-55 to +150	°C

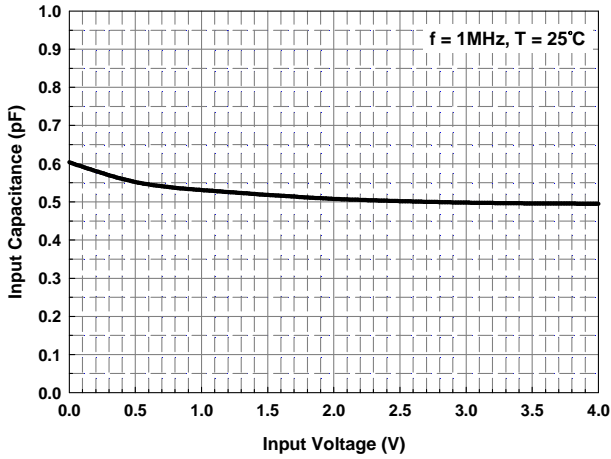
ELECTRICAL CHARACTERISTICS						
PARAMETER	SYMBOL	CONDITIONS	MINI	TYP	MAX	UNITS
Reverse Stand-Off Voltage	V _{RWM}	Pin-1, -2, -4, -5, -6, -7, -8, -9 to pin-3, T = 25 °C.			5	V
Reverse Leakage Current	I _{CH-Leak}	V _{Pin-1,-2,-4,-5,-6,-7,-8,-9} = 5V, V _{Pin-3} = 0V, T = 25 °C.			1	μA
Reverse Breakdown Voltage	V _{BV}	I _{BV} = 1mA, pin-1, -2, -4, -5, -6, -7, -8, -9 to pin-3, T = 25 °C.	6		9	V
Forward Voltage	V _F	I _F = 15mA, pin-3 to pin-1, -2, -4, -5, -6, -7, -8, -9, T = 25 °C.	0.6		1.2	V
ESD Clamping Voltage (Note 1)	V _{clamp}	IEC 61000-4-2 +8kV (I _{TLP} = 16A), Contact mode, T = 25 °C, any I/O pin to Ground.		10.5		V
ESD Dynamic Turn-on Resistance	R _{dynamic}	IEC 61000-4-2 0 ~ +8kV, T = 25 °C, Contact mode, any I/O pin to Ground.		0.24		Ω
Channel Input Capacitance	C _{IN}	V _{pin-3} = 0V, V _{IN} = 2.5V, f = 1MHz, T = 25 °C, any I/O pin to Ground.		0.5	0.65	pF
Channel to Channel Input Capacitance	C _{CROSS}	V _{pin-3} = 0V, V _{IN} = 2.5V, f = 1MHz, T = 25 °C, between I/O pins.		0.03	0.08	pF

Note 1: ESD Clamping Voltage was measured by Transmission Line Pulsing (TLP) System.

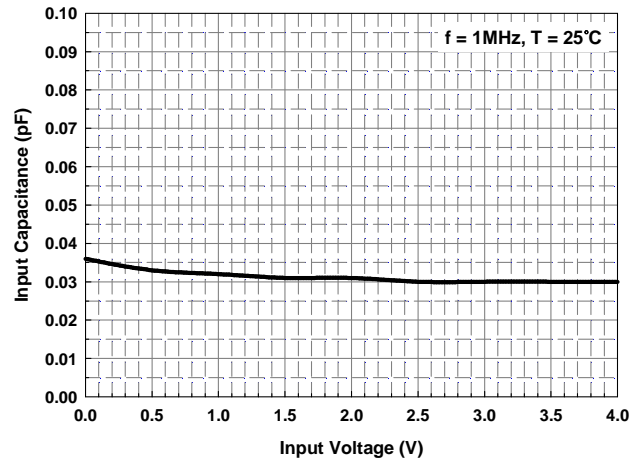
TLP conditions: Z₀= 50Ω, t_p= 100ns, t_r= 1ns.

Typical Characteristics

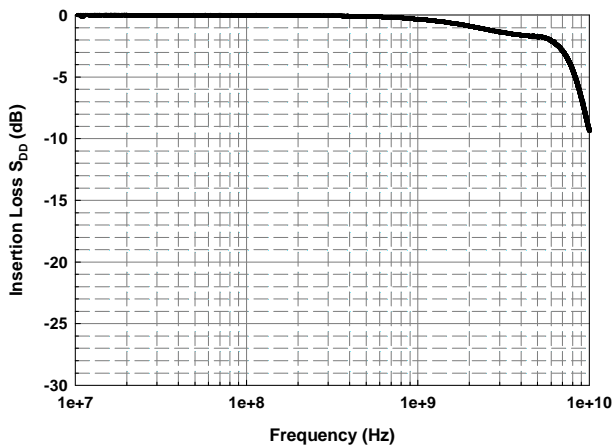
Typical Variation of C_{IN} vs. V_{IN}



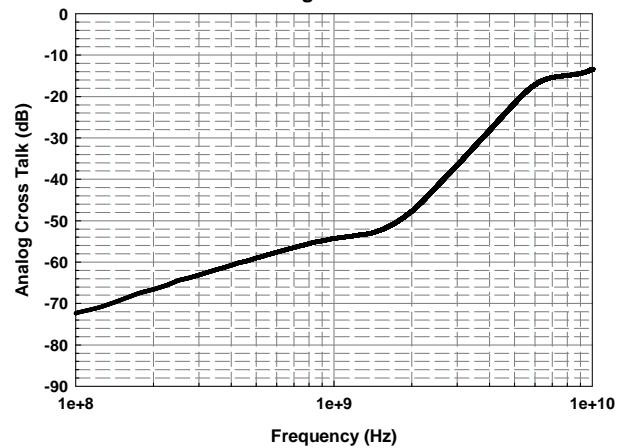
Typical Variation of $C_{IO-to-IO}$ vs. V_{IN}



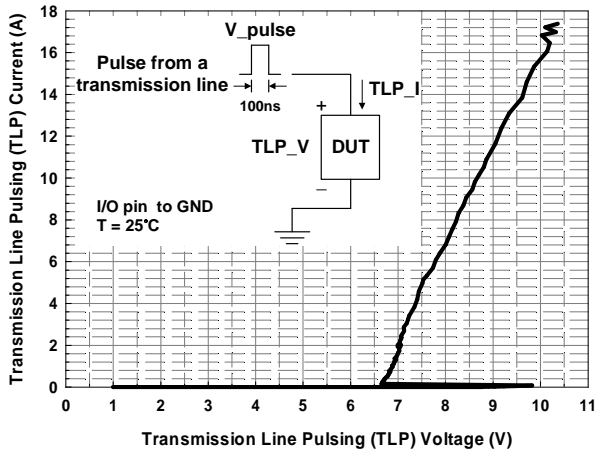
Insertion Loss S_{DD}



Analog Cross Talk



Transmission Line Pulsing (TLP) Measurement





Applications Information

The AZ1045-08F is designed to protect 8 high-speed data lines from transient over-voltage (such as ESD stress pulse). The device connection of AZ1045-08F is shown in the Fig. 1. In Fig. 1, the 8 protected high-speed data lines are connected to the ESD protection pins (pin1, pin2, pin4, pin5, pin6, pin7, pin8, and pin9) of AZ1045-08F. The AZ1045-08F is designed for allowing the traces to run straight through the

device to simplify the PCB layout. The ground pin (pin3) of AZ1045-08F is a negative reference pin. This pin should be directly connected to the GND rail of PCB. To get minimum parasitic inductance, the path length should keep as short as possible.

AZ1045-08F can provide ESD protection for 8 I/O signal lines simultaneously. If the number of I/O signal lines is less than 8, the unused I/O pins can be simply left as NC pins.

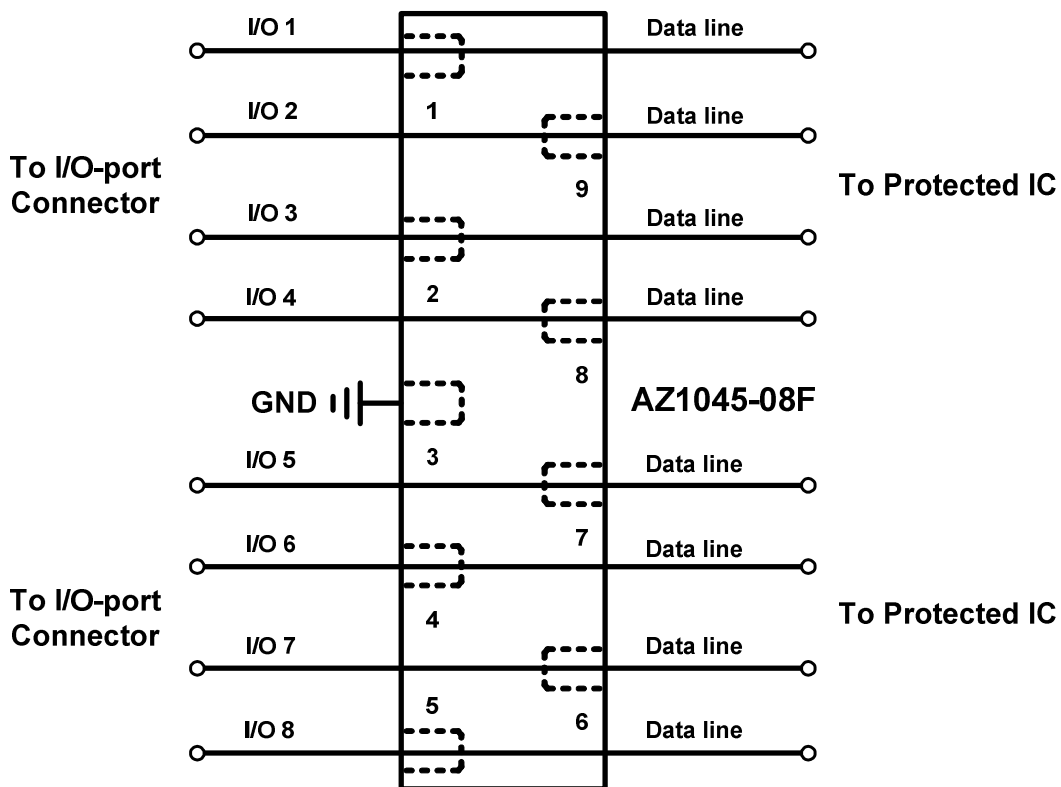
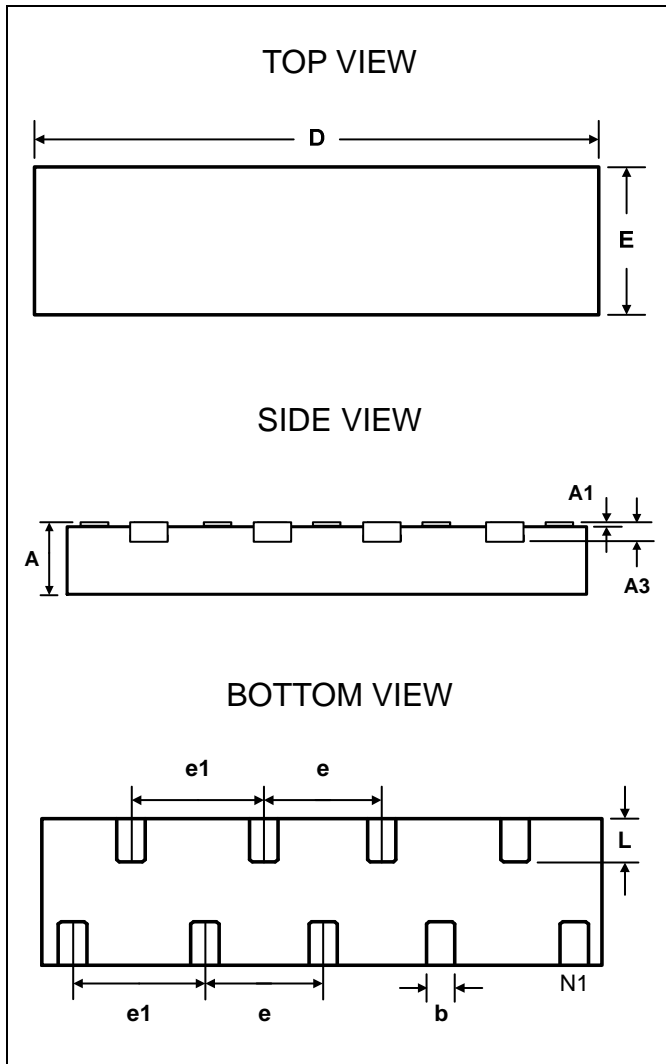


Fig. 1 Data lines connection of AZ1045-08F.

Mechanical Details

DFN3810P9E
PACKAGE DIAGRAMS

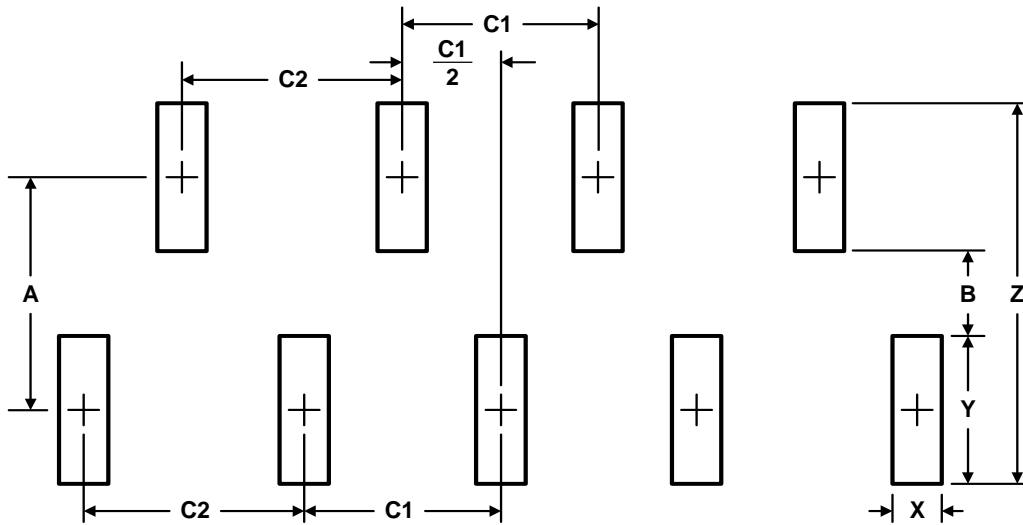


PACKAGE DIMENSIONS

SYMBOL	Millimeters		Inches	
	Min.	Max.	Min.	Max.
A	0.450	0.550	0.018	0.022
A1	0.000	0.050	0.000	0.002
A3	0.150REF.		0.006REF.	
D	3.700	3.900	0.146	0.154
E	0.900	1.100	0.035	0.043
b	0.150	0.250	0.006	0.010
e	0.800TYP.		0.031TYP.	
e1	0.900TYP.		0.035TYP.	
L	0.200	0.400	0.008	0.016



LAND LAYOUT

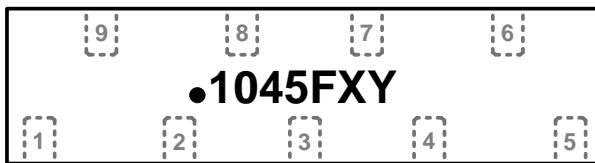


Notes:

This LAND LAYOUT is for reference purposes only. Please consult your manufacturing partners to ensure your company's PCB design guidelines are met.

Dimensions	
Index	Millimeters
A	0.95
B	0.35
C1	0.80
C2	0.90
X	0.20
Y	0.60
Z	1.55

MARKING CODE



1045F=Device Code

X=Date Code

Y=Control Code

Part Number	Marking Code
AZ1045-08F (Green Part)	1045F

Note : Green means Pb-free, RoHS, and Halogen free compliant.



Ordering Information

PN#	Material	Type	Real Size	MOQ	MOQ / internal box	MOQ / carton
AZ1045-08F.R7G	Green	T/R	7 inch	3,000/reel	3 reel = 9,000/box	6 box = 54,000/carton

Revision History

Revision	Modification Description
Revision 2015/07/17	Preliminary release.
Revision 2015/11/02	Formal release.