

General Description

The SY28481 load switch is an ultra-low on-resistance, compact device with inrush current limit via programmable soft-start. The device provides power good signaling for system status monitoring and downstream load control. With soft-start capability to reduce inrush current and low power consumption in a small footprint, the SY28481 is ideal for power management and hot-swap applications.

Under voltage lockout, short circuit protection and overtemperature shutdown features are provided for reliable operation.

The SY28481 is available in a compact DFN3×3-12 package.

Features

- Integrated N-Channel MOSFET with Ultra Low R_{ON}
- Input Voltage Range 0.5 V to 13.5 V
- Soft-start via Controlled Slew Rate
- Power Good Signal
- Thermal Shutdown
- Under Voltage Lockout
- Short Circuit Protection
- Extremely Low Standby Current
- Load Bleed (Quick Discharge)

Applications

- Portable Electronics and Systems
- Notebook and Tablet Computers
- Telecom, Networking, Medical, and Industrial Equipment
- Set Top Boxes, Servers, and Gateways
- Hot Swap Devices and Peripheral Ports

Typical Application

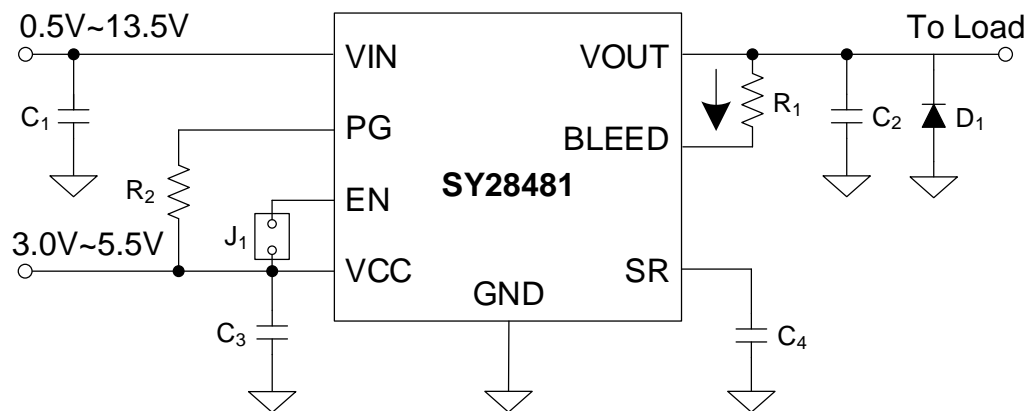


Figure1. Schematic Diagram

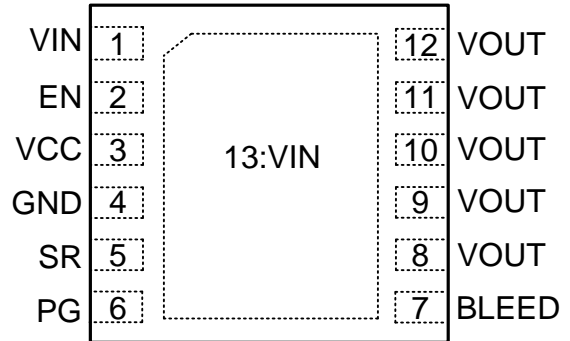
Ordering Information

Ordering Part Number	Package Type	Top Mark
SY28481DCD	DFN3×3-12 RoHS Compliant and Halogen Free	DQFxyz

Device code: DQF

x=year code, y=week code, z= lot number code

Pinout (top view)



Pin Name	Pin Number	Pin Description
VIN	1, 13	MOSFET Drain (0.5 V – 13.5 V). Pin 1 must be connected to Pin 13.
EN	2	SY28481-Active-high digital input, used to turn on the MOSFET. The pin has an internal pull-down resistor to GND.
VCC	3	Supply voltage
GND	4	Ground.
SR	5	Slew rate adjustment. Leave floating if not used.
PG	6	Active-high, open-drain output that indicates when the gate of the MOSFET is fully charged, external pull up resistor ≥ 1 k Ω to an external voltage source required; tie to GND if not used.
BLEED	7	Load bleed connection, must be tied to V _{OUT} either directly or through a resistor ≤ 1 k Ω
VOUT	8-12	MOSFET source, Connected to load.

Block Diagram

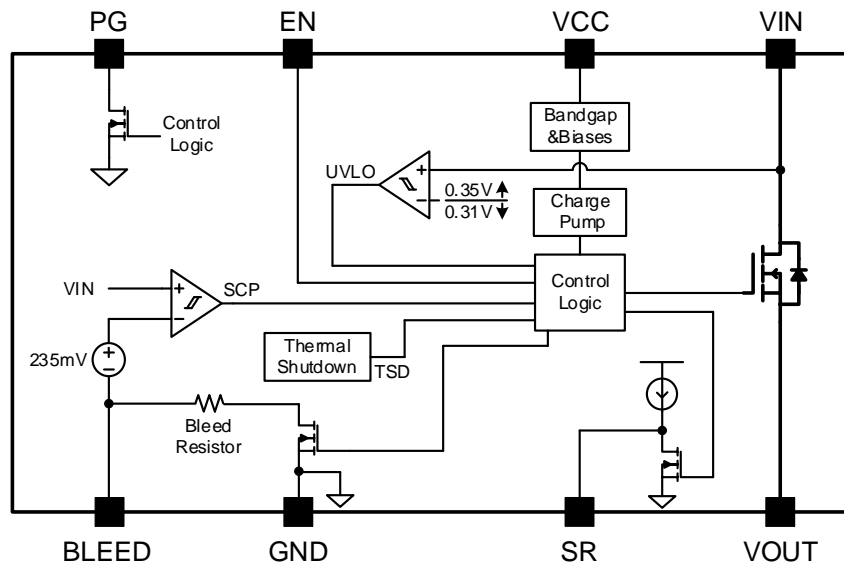


Figure 2 Block Diagram



Absolute Maximum Ratings

Parameter (Note 1)	Min	Max	Unit
VCC, VIN, VOUT	-0.3	18	V
EN	-0.3	VCC+0.3	
PG	-0.3	6	
I _{MAX} (Note 2)	0	24	A
Lead Temperature (Soldering, 10sec.)		260	°C
Junction Temperature, Operating	-40	150	
Storage Temperature	-65	150	

Thermal Information

Parameter (Note 3)	Typ	Unit
θ_{JA} Junction-to-Ambient Thermal Resistance	35	°C/W
θ_{JC} Junction-to-Case Thermal Resistance	1.7	
P _D Power Dissipation T _A = 25°C	2.86	W

Recommended Operating Conditions

Parameter (Note 4)	Min	Max	Unit
VCC	3	5.5	V
VIN, VOUT	0.5	13.5	
EN, PG	0	5.5	
Junction Temperature, Operating	-40	125	°C
Ambient Temperature	-40	85	

**Electrical Characteristics**

($R_{PG} = 100k\Omega$; $R_L = 10\Omega$, $C_L = 0.1\mu F$, $T_J = -40^\circ C$ to $125^\circ C$, typical values are $T_J = 25^\circ C$, unless otherwise specified. The values are guaranteed by test, design or statistical correlation.)

Parameter	Symbol	Test Conditions	Min	Typ	Max	Unit
MOSFET						
On-Resistance	R_{ON}			4.1	6.8	m Ω
Leakage Current	I_{LEAK}	$V_{EN} = 0 V$; $V_{IN} = 13.5 V$		0.1	10	μA
Controller						
Supply Standby Current	I_{STBY}	$V_{EN} = 0 V$; $V_{CC} = 3 V$		6	13	μA
		$V_{EN} = 0 V$; $V_{CC} = 5.5 V$		7	14	
Supply Dynamic Current	I_{DYN}	$V_{EN} = V_{CC} = 3 V$; $V_{IN} = 12 V$		80	100	μA
		$V_{EN} = V_{CC} = 5.5 V$; $V_{IN} = 1.8 V$		230	300	
Bleed Resistance	R_{BLEED}	$V_{EN} = 0 V$; $V_{CC} = 3 V$	60	90	160	Ω
		$V_{EN} = 0 V$; $V_{CC} = 5.5 V$	60	90	160	
Bleed Pin Leakage Current	I_{BLEED}	$V_{EN} = V_{CC} = 3 V$, $V_{IN} = 1.8 V$		2.5	7	μA
		$V_{EN} = V_{CC} = 3 V$, $V_{IN} = 12 V$		5.5	11	
EN Input High Voltage	V_{IH}	$V_{CC} = 3 V - 5.5 V$	2.0			V
EN Input Low Voltage	V_{IL}	$V_{CC} = 3 V - 5.5 V$			0.8	V
EN Input Leakage Current	I_{IL}	$V_{EN} = 0 V$		90	500	nA
EN Pull Down Resistance	R_{PD}		76	100	130	k Ω
PG Output Low Voltage	V_{OL}	$V_{CC} = 3 V$; $I_{SINK} = 5 mA$			0.25	V
PG Output Leakage Current	I_{OH}	$V_{CC} = 3 V$; $V_{TERM} = 3.3 V$		5.0	100	nA
Slew Rate Control Constant	K_{SR}	$V_{CC} = 3 V$	21	31	44	μA
Fault Protections						
Thermal Shutdown Threshold	T_{SDT}	$V_{CC} = 3 V - 5.5 V$		145		$^\circ C$
Thermal Shutdown Hysteresis	T_{HYS}	$V_{CC} = 3 V - 5.5 V$		20		$^\circ C$
VIN Undervoltage Lockout Threshold	V_{UVLO}	$V_{CC} = 3 V$	0.25	0.35	0.45	V
VIN Undervoltage Lockout Hysteresis	V_{HYS}	$V_{CC} = 3 V$	25	40	60	mV
Short-Circuit Protection Threshold	V_{SC}	$V_{CC} = 3 V$; $V_{IN} = 0.5 V$	160	230	300	mV
		$V_{CC} = 3 V$; $V_{IN} = 13.5 V$	160	235	310	



Switching Characteristics

($R_{PG} = 100k\Omega$; $R_L = 10\Omega$, $C_L = 0.1\mu F$, $T_J = -40^\circ C$ to $125^\circ C$, typical values are $T_J = 25^\circ C$, unless otherwise specified. The values are guaranteed by test, design or statistical correlation.)

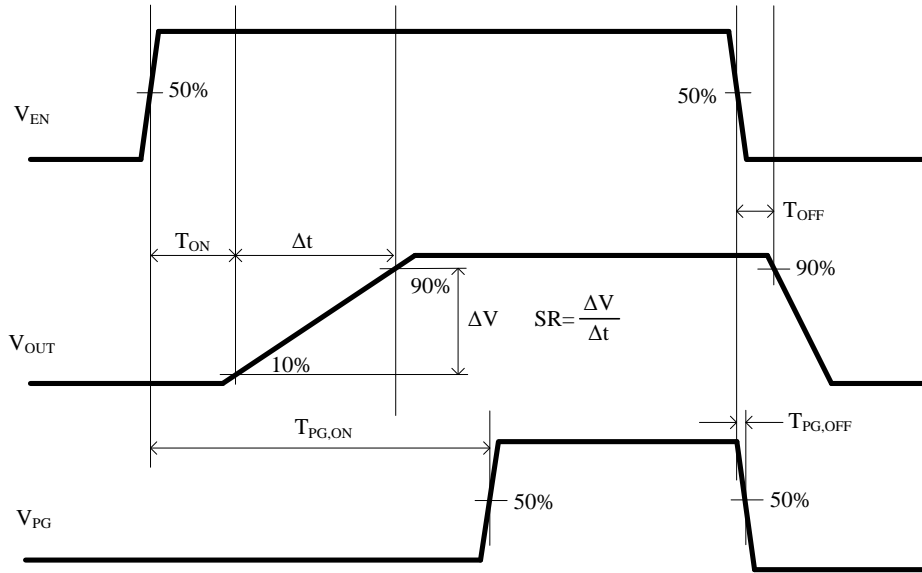
Parameter	Symbol	Test Conditions	Min	Typ	Max	Unit
Output Slew Rate	SR	$V_{CC} = 3.3 V$; $V_{IN} = 1.8 V$		8.8		kV/s
		$V_{CC} = 5.0 V$; $V_{IN} = 1.8 V$		8.9		
		$V_{CC} = 3.3 V$; $V_{IN} = 12 V$		11		
		$V_{CC} = 5.0 V$; $V_{IN} = 12 V$		11		
Output Turn-on Delay	t_{ON}	$V_{CC} = 3.3 V$; $V_{IN} = 1.8 V$		360		μs
		$V_{CC} = 5.0 V$; $V_{IN} = 1.8 V$		360		
		$V_{CC} = 3.3 V$; $V_{IN} = 12 V$		440		
		$V_{CC} = 5.0 V$; $V_{IN} = 12 V$		440		
Output Turn-off Delay	t_{OFF}	$V_{CC} = 3.3 V$; $V_{IN} = 1.8 V$		7.8		μs
		$V_{CC} = 5.0 V$; $V_{IN} = 1.8 V$		7.2		
		$V_{CC} = 3.3 V$; $V_{IN} = 12 V$		7.6		
		$V_{CC} = 5.0 V$; $V_{IN} = 12 V$		7.6		
Power Good Turn-on Time	$t_{PG,ON}$	$V_{CC} = 3.3 V$; $V_{IN} = 1.8 V$		0.71		ms
		$V_{CC} = 5.0 V$; $V_{IN} = 1.8 V$		0.75		
		$V_{CC} = 3.3 V$; $V_{IN} = 12 V$		1.66		
		$V_{CC} = 5.0 V$; $V_{IN} = 12 V$		1.66		
Power Good Turn-off Time	$t_{PG,OFF}$	$V_{CC} = 3.3 V$; $V_{IN} = 1.8 V$		4.5		μs
		$V_{CC} = 5.0 V$; $V_{IN} = 1.8 V$		4.5		
		$V_{CC} = 3.3 V$; $V_{IN} = 12 V$		4.5		
		$V_{CC} = 5.0 V$; $V_{IN} = 12 V$		4.5		

Note 1: Stresses beyond the “Absolute Maximum Ratings” may cause permanent damage to the device. These are stress ratings only. Functional operation of the device at these or any other conditions beyond those indicated in the operational sections of the specification is not implied. Exposure to absolute maximum rating conditions for extended periods may affect device reliability.

Note 2: Ensure that the expected operating MOSFET current will not cause the Short-Circuit Protection to turn the MOSFET off undesirably.

Note 3: θ_{JA} is measured in the natural convection at $T_A = 25^\circ C$ on a EVB test board.

Note 4: The device is not guaranteed to function outside its operating conditions.



SOA

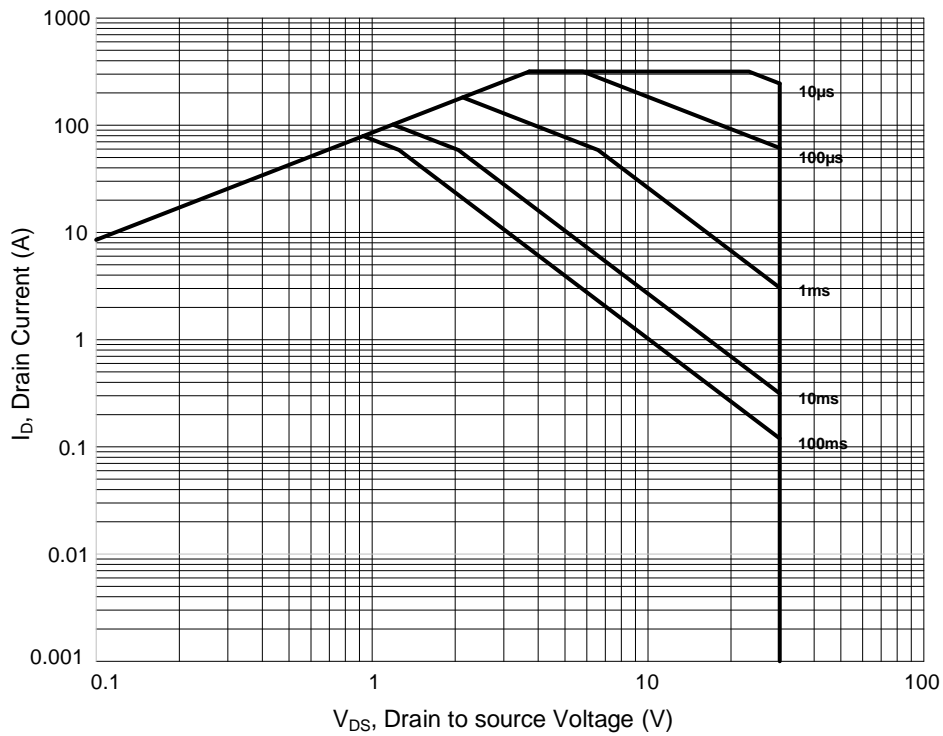
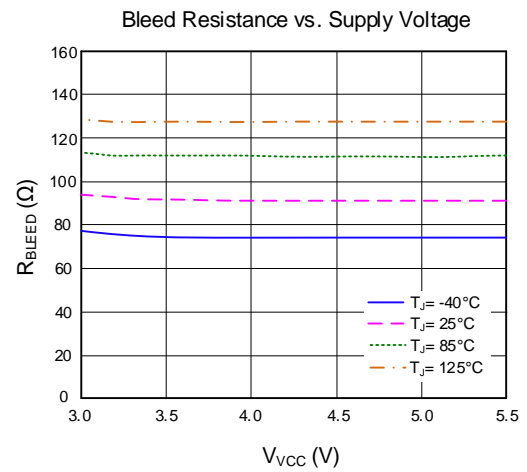
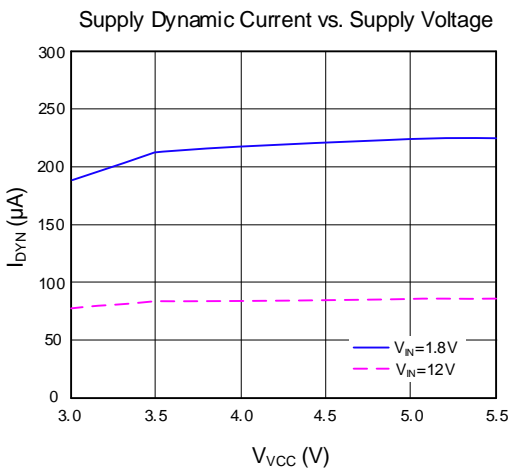
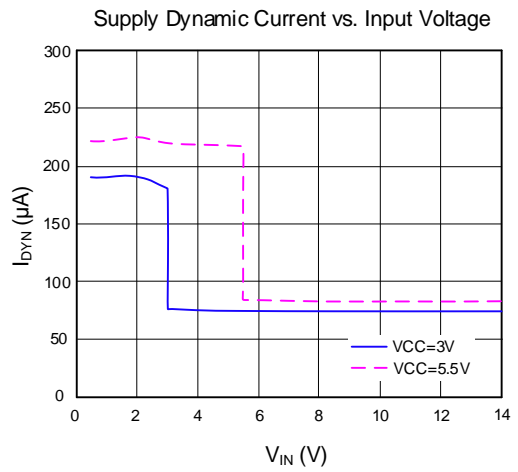
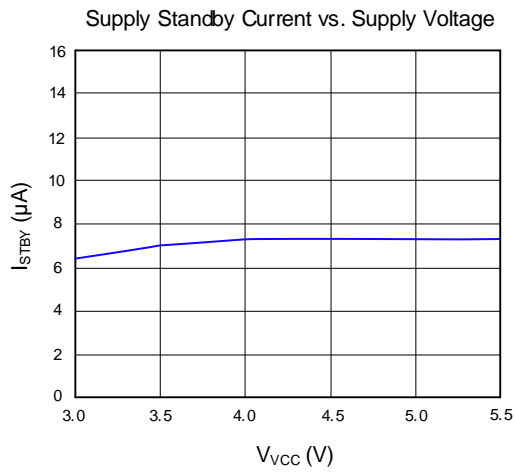
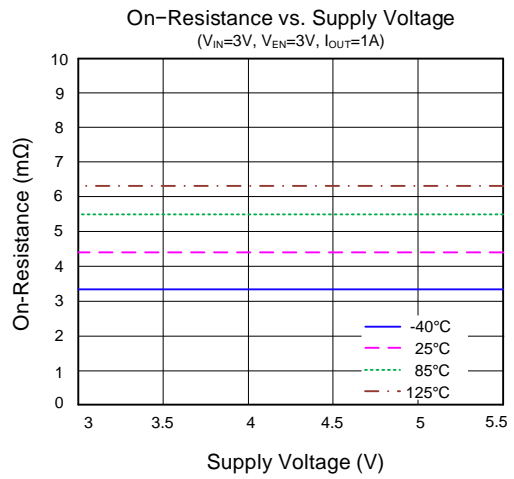
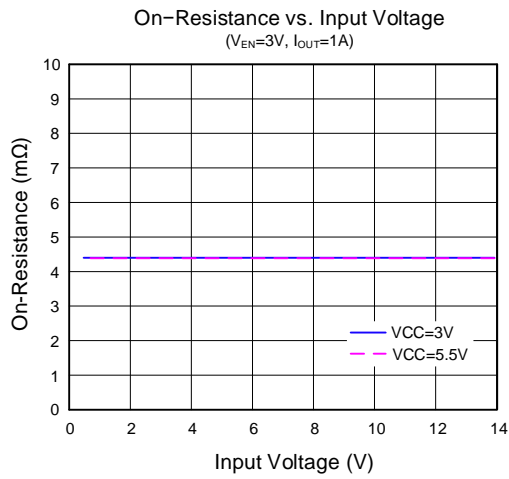
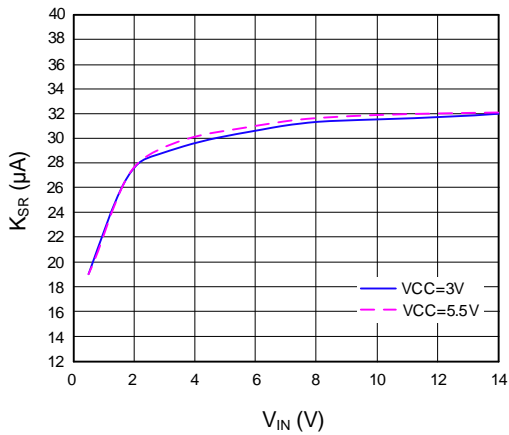


Figure 4. Safe Operating Area

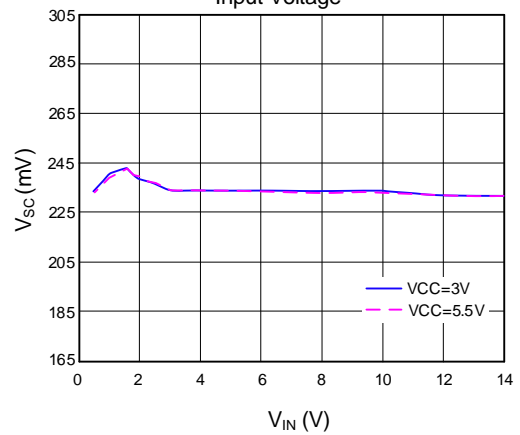
Typical Performance Characteristics



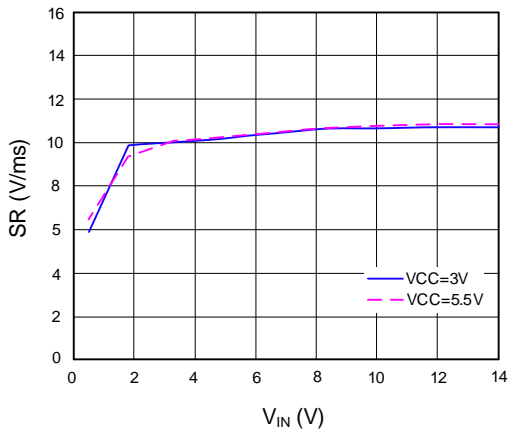
Slew Rate Control Constant vs. Input Voltage



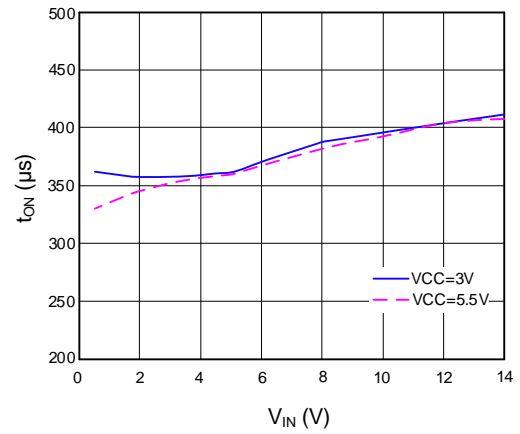
Short Circuit Protection Threshold vs. Input Voltage



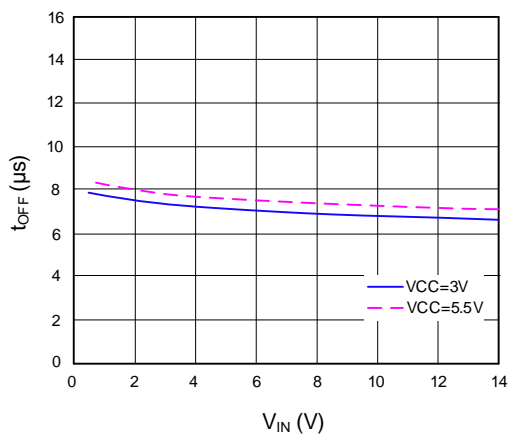
Output Slew Rate vs. Input Voltage



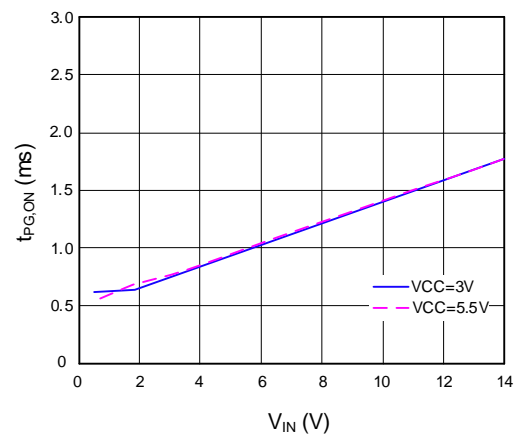
Output Turn-on Delay vs. Input Voltage



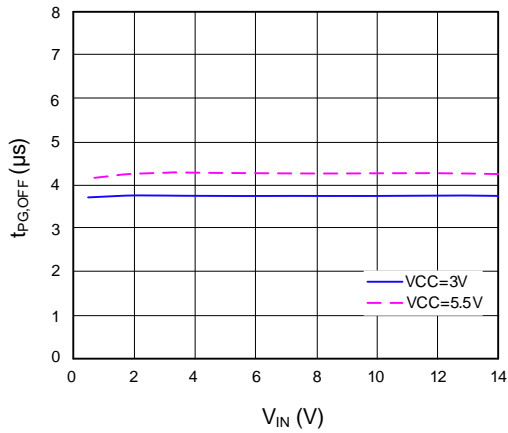
Output Turn-off Delay vs. Input Voltage



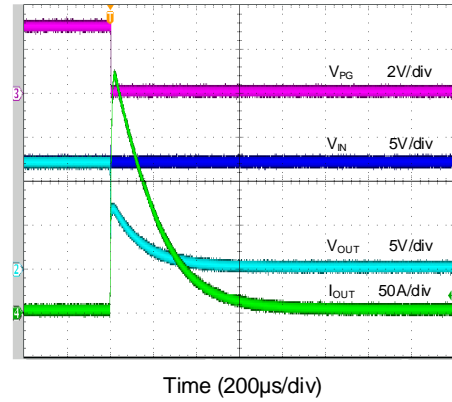
Power Good Turn-on Time vs. Input Voltage



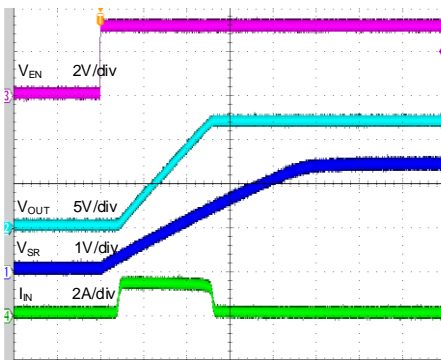
Power Good Turn-off Time vs. Input Voltage



Hard Short
(V_{IN}=12V, V_{CC}=3V, R_{PG}=100kΩ, C_{SR}=100nF, C_{OUT}=100nF, 5mF Load, Short OUT)

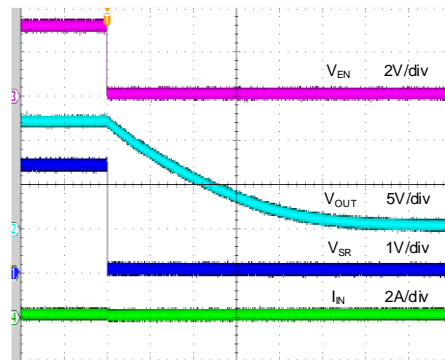


Turn ON with Enable
(V_{IN}=12V, V_{CC}=3V, C_{SR}=100nF, C_{OUT}=100nF, 5mF Load)



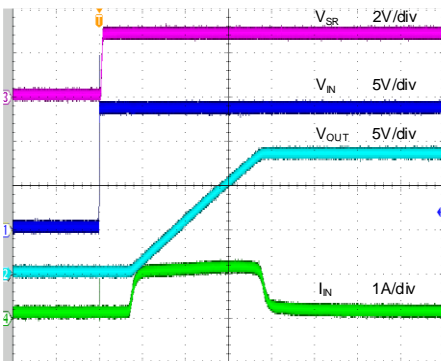
Time (20ms/div)

Turn OFF with Enable
(V_{IN}=12V, V_{CC}=3V, C_{SR}=100nF, C_{OUT}=100nF, 5mF Load)



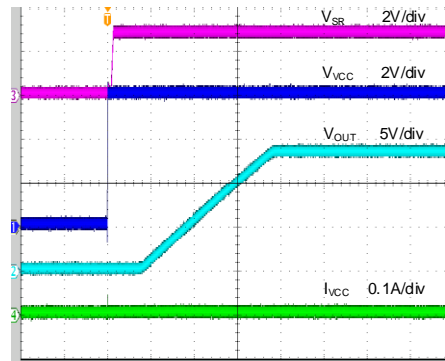
Time (400ms/div)

Hot Plug (V_{IN})
(V_{IN}=13.5V, V_{CC}=V_{EN}=6V, C_{SR}=C_{IN}=Open, C_{OUT}=100μF)



Time (400μs/div)

Hot Plug (V_{CC})
(V_{VCC}=V_{EN}=6V, V_{IN}=13.5V, C_{SR}=C_{VCC}=Open, C_{OUT}=100μF)



Time (400μs/div)

Applications Information

Enable Control

EN is used to control the SY28481DCD ON and OFF. When VCC and VIN are in their operating voltage ranges, setting EN to a logic high level, the power MOSFET is turned on with soft start. When setting EN to a logic low level, the Power MOSFET is turn off immediately. Set EN to low, then back to high, can reset the SY28481DCD that has latched off due to SCP or OCP protection.

Power Sequencing

The SY28481DCD will function with any power sequence, but the output turn-on delay performance may vary depending on the sequence. To achieve the specified performance, there are two recommended power sequences:

1. V_{CC} → V_{IN} → V_{EN}
2. V_{IN} → V_{CC} → V_{EN}

Load Bleed (Quick Discharge)

To quick discharge output capacitor, the SY28481DCD integrates an internal bleed resistor (R_{BLEED}). The resistor is switched on when EN is inactive (logic low). Connect the BLEED pin either directly (as shown in Figure 6) or through an external resistor, R_{EXT} (<1kΩ, as shown in Figure 5). The maximum continuous power dissipation for the internal bleed resistor is 0.4W. Ensure that the maximum power dissipation is not exceeded.

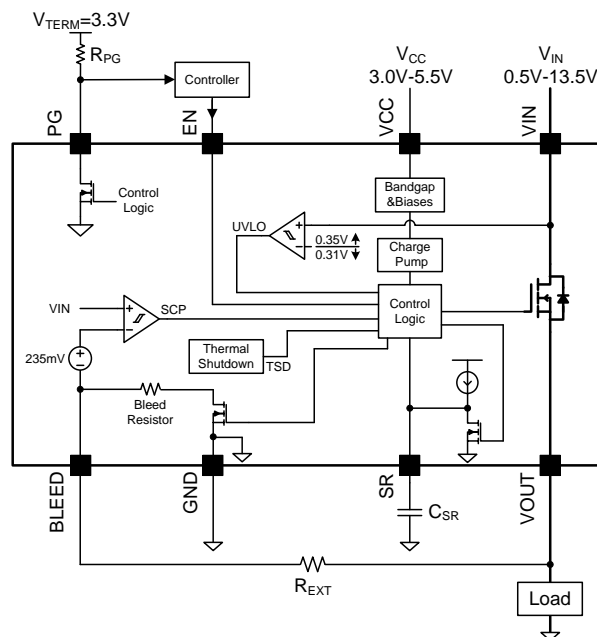


Figure 5. Typical Application Diagram – Load Switch

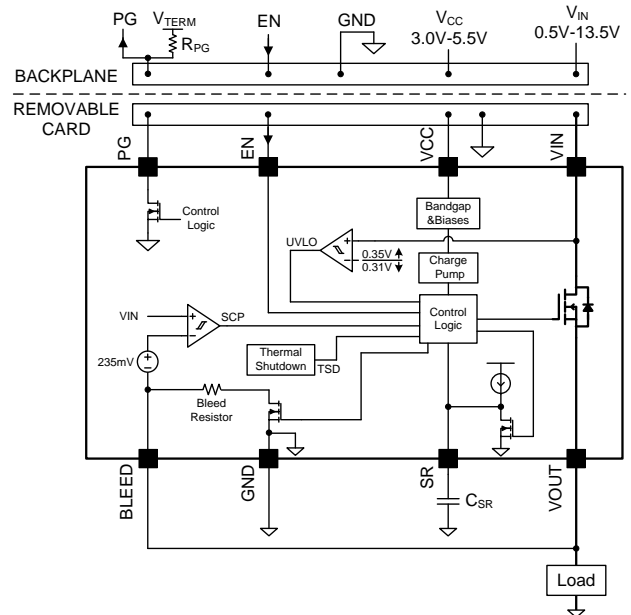


Figure 6. Typical Application Diagram – Hot Swap

Power Good

The SY28481DCD integrates a power good indicator (PG). The PG pin is an active high, open drain output. An external resistor with a value of 1kΩ or larger, connected to a voltage source is required when this pin is used (as shown in Figures 5 and 6). When the MOSFET is turned ON, the PG pin is high impedance, and the voltage at the pin is determined by the external voltage source that the external resistor is connected to.

The PG pin can be used for power sequencing in larger systems. Avoid draw large current before the switch is fully turned ON, to prevent system power up failures.

Slew Rate Control

The SY28481DCD features programmable output slew rate control to reduce the inrush current during start up with large output capacitance. Connect a C_{SR} from the SR pin to GND to program the slew rate (as shown in Figures 5 and 6). The slew rate can be calculated using the following equation:

$$\text{Slew Rate} = \frac{K_{SR}}{C_{SR}} (V/s)$$

Where K_{SR} is the specified slew rate control constant, found in EC table.

Short Circuit Protection

The SY28481DCD is equipped with a short-circuit protection against output hard short to GND events.

When VOUT is shorted to GND, a large current can draw VOUT low. The SY28481DCD monitors the voltage difference between VIN and VOUT through the BLEED pin, and once the voltage exceeds the short circuit threshold, the power FET will be shut down immediately to cut off the load and prevent the current from increasing further. The device will stay in the OFF state until EN is cycled or an UVLO event is detected at the VCC pin.

The short circuit protection is active after PG is set high.

Thermal Shutdown

The SY28481DCD thermal shutdown protects the part from internally or externally generated excessive temperature. When the junction temperature is higher than T_{SDT} threshold, the SY28481DCD the power MOSFET is disabled. After the junction temperature drops below $T_{SDT}-T_{HYS}$ and if EN is still at a logic high level, the device will restart with a soft-start sequence.

Under-voltage Lockout

The SY28481DCD integrates UVLO protection. If VIN rises above the UVLO threshold and EN is set to high, the power MOSFET will be enabled with soft start. If VIN falls below $V_{UVLO} - V_{HYS}$, the device will be shut down.

PCB Layout Guide

1. For all applications, a 10 μ F or greater ceramic decoupling capacitor is recommended between IN terminal and GND. For hot-plug applications, where input power path inductance is negligible, this capacitor can be eliminated, or its value reduced.
2. The optimum placement of the decoupling capacitor is close to the IN and GND pins. Minimize the loop area formed by the bypass capacitor and the IN GND pins.
3. Place the following components C_{VCC} , C_{SR} and R_{EXT} close to their connection pin. Connect the other end of the components to GND with a short trace.
4. Protection devices such as TVS, snubbers, capacitors, or diodes should be placed physically close to the device they are intended to protect, and routed with short traces to reduce parasitic inductance. For example, a protection Schottky diode is recommended to address negative transients due to switching of inductive loads, and it should be physically close to the OUT pins.

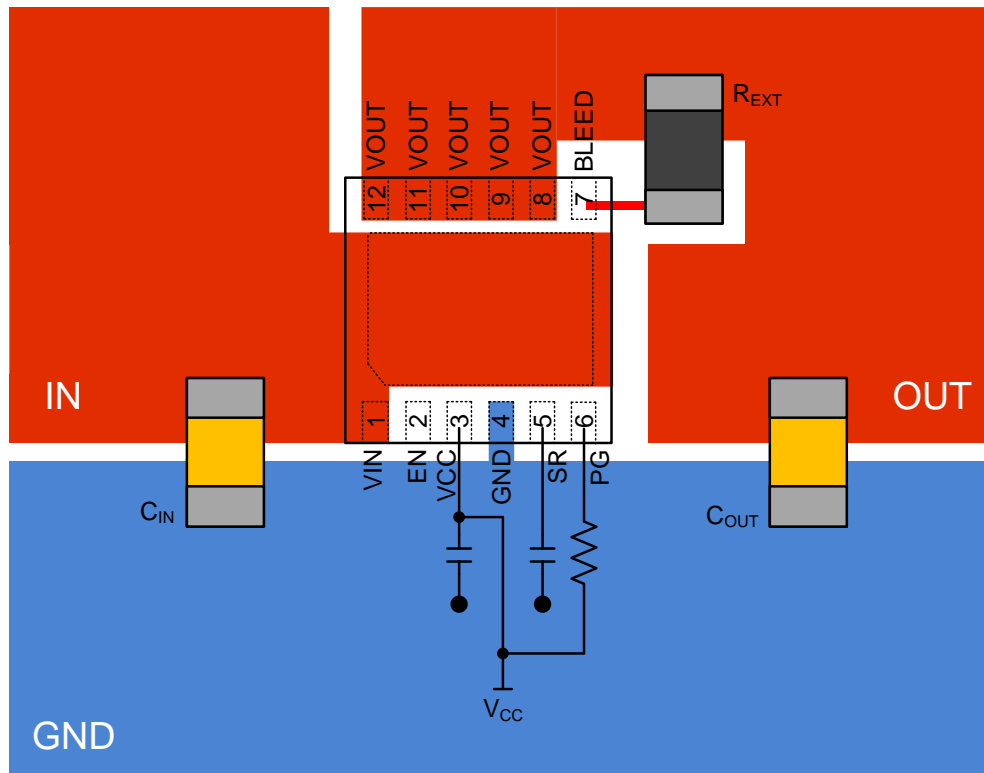
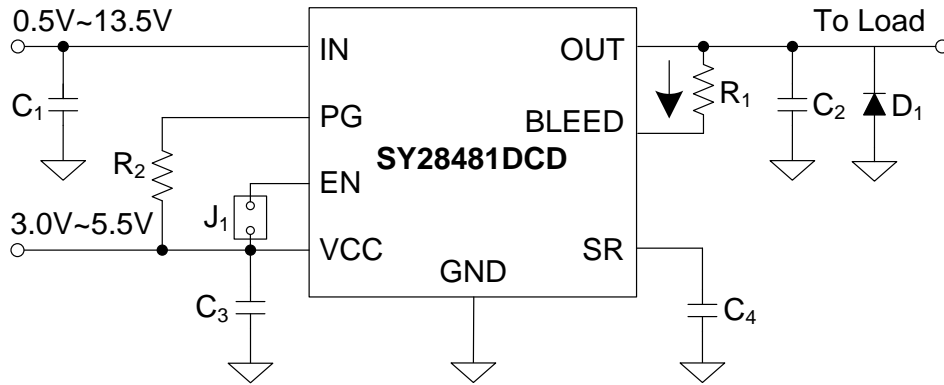


Figure7.PCB Layout Suggestion



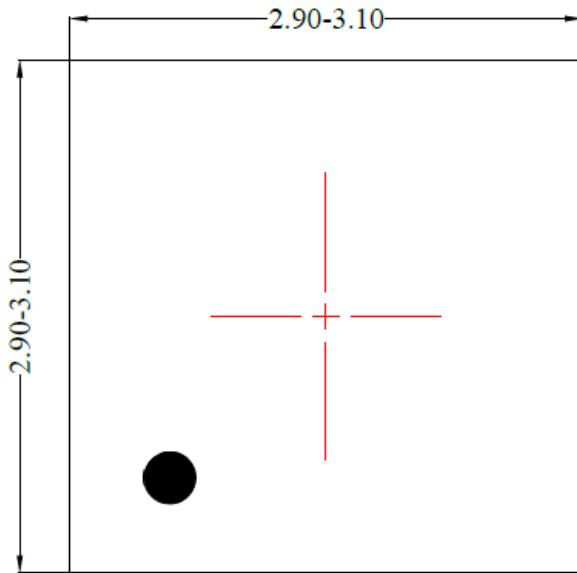
Schematic



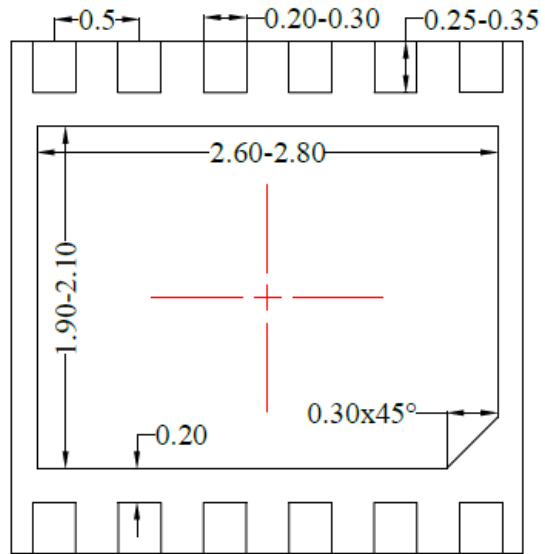
BOM List

Reference Designator	Description	Part Number	Manufacturer
C ₁	10μF/50V, ±10%, X5R, 1206	C3216X5R1H106KT00N	TDK
C ₂	10μF/50V, ±10%, X5R, 1206	C3216X5R1H106KT00N	TDK
C ₃	1μF/50V, ±10%, X5R, 0603	GRM188R61H105KAALD	Murata
C ₄	100nF/50V, ±10%, X7R, 0603	GRM188R71H104KA93D	Murata
R ₁	0Ω, 1%, 0.1W, 0603	RC0603FR-070RL	YAGEO
R ₂	100kΩ, 1%, 0.1W, 0603	RC0603FR-07100KL	YAGEO
D1	Schoottky	SS54	Any

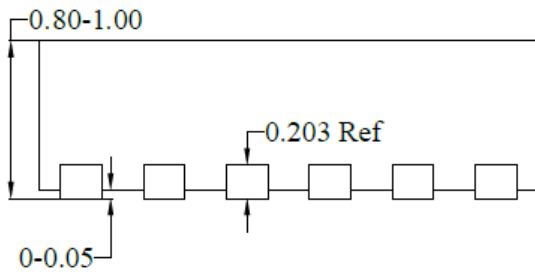
DFN3x3-12 Package Outline



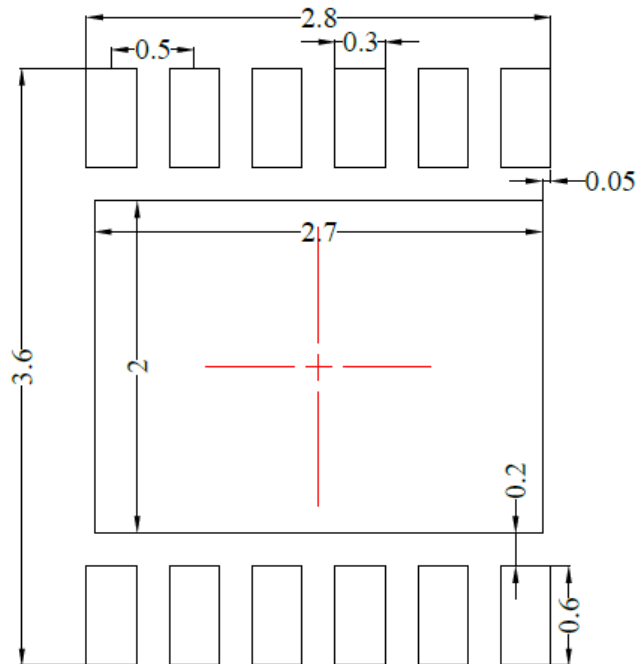
Top View



Bottom View



Front View

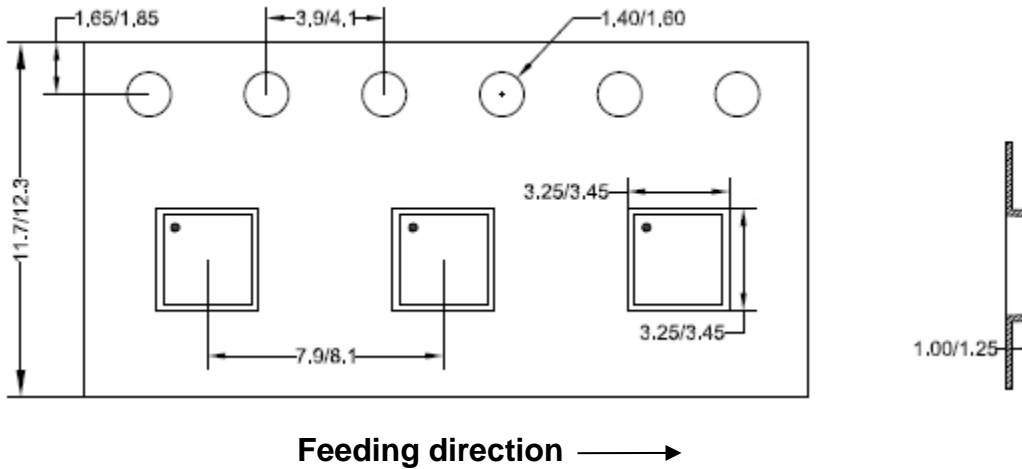


**Recommended PCB layout
(Only for reference)**

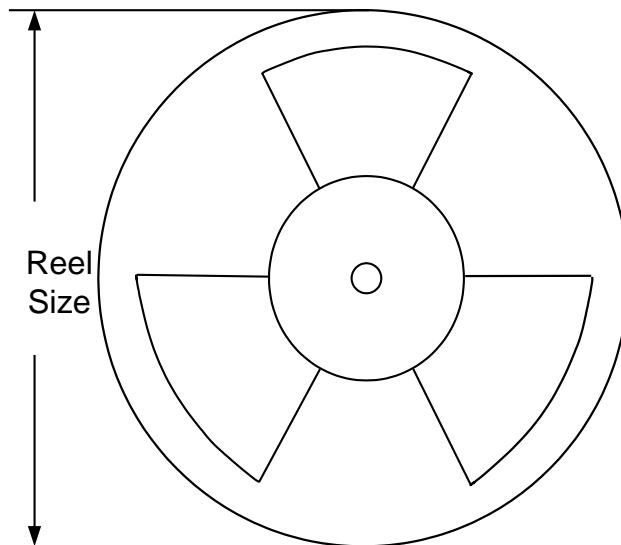
Notes: All dimension in millimeter and exclude mold flash & metal burr.

Taping & Reel Specification

1. DFN3x3 taping orientation



2. Carrier Tape & Reel specification for packages



Package type	Tape width (mm)	Pocket pitch(mm)	Reel size (Inch)	Trailer length(mm)	Leader length (mm)	Qty per reel
DFN3x3	12	8	13"	400	400	5000

3. Others: NA

Revision History

The revision history provided is for informational purpose only and is believed to be accurate, however, not warranted. Please make sure that you have the latest revision.

Date	Revision	Change
Jan.29, 2024	Revision 1.0	Language improvements for clarity.
Apr.19, 2023	Revision 0.9B	1. Change the typical value of On-Resistance from 3.7 mΩ to 4.1 mΩ; 2. Update the On-Resistance Curves (Page 7)
Oct.21, 2022	Revision 0.9A	Pin1 is changed from upper right to upper left in the taping orientation.
May.27, 2022	Revision 0.9	Initial Release

IMPORTANT NOTICE

1. **Right to make changes.** Silergy and its subsidiaries (hereafter Silergy) reserve the right to change any information published in this document, including but not limited to circuitry, specification and/or product design, manufacturing or descriptions, at any time and without notice. This document supersedes and replaces all information supplied prior to the publication hereof. Buyers should obtain the latest relevant information before placing orders and should verify that such information is current and complete. All semiconductor products are sold subject to Silergy's standard terms and conditions of sale.
2. **Applications.** Application examples that are described herein for any of these products are for illustrative purposes only. Silergy makes no representation or warranty that such applications will be suitable for the specified use without further testing or modification. Buyers are responsible for the design and operation of their applications and products using Silergy products. Silergy or its subsidiaries assume no liability for any application assistance or designs of customer products. It is customer's sole responsibility to determine whether the Silergy product is suitable and fit for the customer's applications and products planned. To minimize the risks associated with customer's products and applications, customer should provide adequate design and operating safeguards. Customer represents and agrees that it has all the necessary expertise to create and implement safeguards which anticipate dangerous consequences of failures, monitor failures and their consequences, lessen the likelihood of failures that might cause harm and take appropriate remedial actions. Silergy assumes no liability related to any default, damage, costs or problem in the customer's applications or products, or the application or use by customer's third-party buyers. Customer will fully indemnify Silergy, its subsidiaries, and their representatives against any damages arising out of the use of any Silergy components in safety-critical applications. It is also buyers' sole responsibility to warrant and guarantee that any intellectual property rights of a third party are not infringed upon when integrating Silergy products into any application. Silergy assumes no responsibility for any said applications or for any use of any circuitry other than circuitry entirely embodied in a Silergy product.
3. **Limited warranty and liability.** Information furnished by Silergy in this document is believed to be accurate and reliable. However, Silergy makes no representation or warranty, expressed or implied, as to the accuracy or completeness of such information and shall have no liability for the consequences of use of such information. In no event shall Silergy be liable for any indirect, incidental, punitive, special or consequential damages, including but not limited to lost profits, lost savings, business interruption, costs related to the removal or replacement of any products or rework charges, whether or not such damages are based on tort or negligence, warranty, breach of contract or any other legal theory. Notwithstanding any damages that customer might incur for any reason whatsoever, Silergy' aggregate and cumulative liability towards customer for the products described herein shall be limited in accordance with the Standard Terms and Conditions of Sale of Silergy.
4. **Suitability for use.** Customer acknowledges and agrees that it is solely responsible for compliance with all legal, regulatory and safety-related requirements concerning its products, and any use of Silergy components in its applications, notwithstanding any applications-related information or support that may be provided by Silergy. Silergy products are not designed, authorized or warranted to be suitable for use in life support, life-critical or safety-critical systems or equipment, nor in applications where failure or malfunction of a Silergy product can reasonably be expected to result in personal injury, death or severe property or environmental damage. Silergy assumes no liability for inclusion and/or use of Silergy products in such equipment or applications and therefore such inclusion and/or use is at the customer's own risk.
5. **Terms and conditions of commercial sale.** Silergy products are sold subject to the standard terms and conditions of commercial sale, as published at <http://www.silergy.com/stdterms>, unless otherwise agreed in a valid written individual agreement specifically agreed to in writing by an authorized officer of Silergy. In case an individual agreement is concluded only the terms and conditions of the respective agreement shall apply. Silergy hereby expressly objects to and denies the application of any customer's general terms and conditions with regard to the purchase of Silergy products by the customer.
6. **No offer to sell or license.** Nothing in this document may be interpreted or construed as an offer to sell products that is open for acceptance or the grant, conveyance or implication of any license under any copyrights, patents or other industrial or intellectual property rights. Silergy makes no representation or warranty that any license, either express or implied, is granted under any patent right, copyright, mask work right, or other intellectual property right. Information published by Silergy regarding third-party products or services does not constitute a license to use such products or services or a warranty or endorsement thereof. Use of such information may require a license from a third party under the patents or other intellectual property of the third party, or a license from Silergy under the patents or other intellectual property of Silergy.

For more information, please visit: www.silergy.com

© 2023 Silergy Corp.

All Rights Reserved.