

Metal Oxide Varistors (MOV)

Features

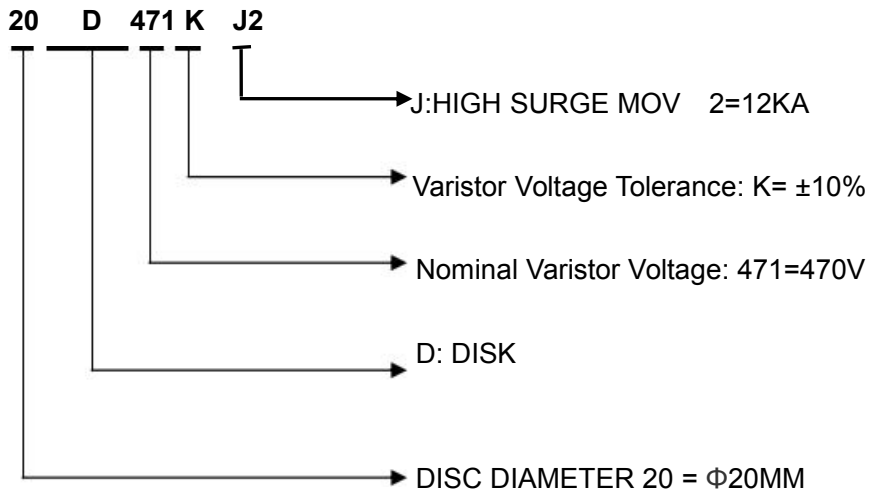
- Wide operating voltage (V1mA) range from 18V to 1800V
- Fast responding to transient over-voltage
- Large absorbing transient energy capability
- Low clamping ratio and no follow-on current
- Meets MSL level 1, per J-STD-020
- Operating Temperature: -40°C ~ +85°C
- Storage Temperature: -40°C ~ +125°C
- Safety certification:



Applications

- Transistor, diode, IC, thyristor or triac semiconductor protection
- Surge protection in consumer electronics
- Surge protection in industrial electronics
- Surge protection in electronic home appliances, gas and petroleum appliances
- Relay and electromagnetic valve surge absorption

Description of Part Number



Delivery Time

High Surge J2	Delivery Time
20D220KJ2 ~ 20D182KJ2	14days

## Electrical Characteristics

Part Number	Maximum Allowable Voltage		Varistor Voltage V <sub>1mA</sub> (V)	Maximum Clamping Voltage V <sub>c</sub> (V)AT100A	Withstanding Surge Current 8/20uS		Maximum Energy (10/1000μs) J2	Typical Capacitance (Reference) 1KHz(pf)
	V <sub>AC</sub> (V)	V <sub>DC</sub> (V)			1 Time	2 Times		
20D220KJ2	14	18	22(19.8~24.2)	43	4KA	3KA	17J	18500
20D270KJ2	17	22	27(24.3~29.7)	53	4KA	3KA	20J	13000
20D330KJ2	20	26	33(29.7~36.3)	65	4KA	3KA	25J	11500
20D390KJ2	25	31	39(35.1~42.9)	77	4KA	3KA	29J	8500
20D470KJ2	30	38	47(42.3~51.7)	93	4KA	3KA	36J	7400
20D560KJ2	35	45	56(50.4~61.6)	100	4KA	3KA	48J	6500
20D680KJ2	40	56	68(61.2~74.8)	135	4KA	3KA	51J	5800
20D820KJ2	50	65	82(73.8~90.2)	135	12KA	6.5KA	59J	4900
20D101KJ2	60	85	100(90~110)	165	12KA	6.5KA	74J	4000
20D121KJ2	75	100	120(108~132)	200	12KA	6.5KA	89J	3300
20D151KJ2	95	125	150(135~165)	250	12KA	6.5KA	111J	2700
20D181KJ2	115	150	180(162~198)	300	12KA	6.5KA	137J	2200
20D201KJ2	130	170	200(180~220)	340	12KA	6.5KA	147J	2000
20D221KJ2	140	180	220(198~242)	360	12KA	6.5KA	163J	1800
20D241KJ2	150	200	240(216~264)	395	12KA	6.5KA	176J	1650
20D271KJ2	175	225	270(243~297)	455	12KA	6.5KA	200J	1500
20D301KJ2	190	250	300(270~330)	500	12KA	6.5KA	221J	1300
20D331KJ2	210	275	330(297~363)	550	12KA	6.5KA	239J	1200
20D361KJ2	230	300	360(324~396)	595	12KA	6.5KA	268J	1100
20D391KJ2	250	320	390(351~429)	650	12KA	6.5KA	289J	1000
20D431KJ2	275	350	430(387~473)	710	12KA	6.5KA	320J	930
20D471KJ2	300	385	470(423~517)	775	12KA	6.5KA	368J	850
20D511KJ2	320	415	510(459~561)	845	12KA	6.5KA	378J	780
20D561KJ2	350	460	560(504~616)	925	12KA	6.5KA	399J	710
20D621KJ2	385	505	620(558~682)	1025	12KA	6.5KA	410J	650
20D681KJ2	420	560	680(612~748)	1120	12KA	6.5KA	420J	600
20D751KJ2	460	615	750(675~825)	1240	12KA	6.5KA	441J	580
20D781KJ2	485	640	780(702~858)	1290	12KA	6.5KA	462J	560
20D821KJ2	510	670	820(738~902)	1355	12KA	6.5KA	483J	525
20D911KJ2	550	745	910(819~1001)	1500	12KA	6.5KA	536J	495
20D102KJ2	625	825	1000(900~1100)	1650	12KA	6.5KA	593J	480
20D112KJ2	680	895	1100(990~1210)	1815	12KA	6.5KA	651J	460
20D182KJ2	1000	1465	1800(1620~1980)	2970	12KA	6.5KA	1040J	320

Specifications are subject to change without notice

2

Tel: +86-755-27465585

SHENZHEN HUAXINGAN ELECTRONICS CO.,LTD

[www.huaandz.com](http://www.huaandz.com)Email: [sales@huaandz.com](mailto:sales@huaandz.com)

Dimension(mm) Straight Leads

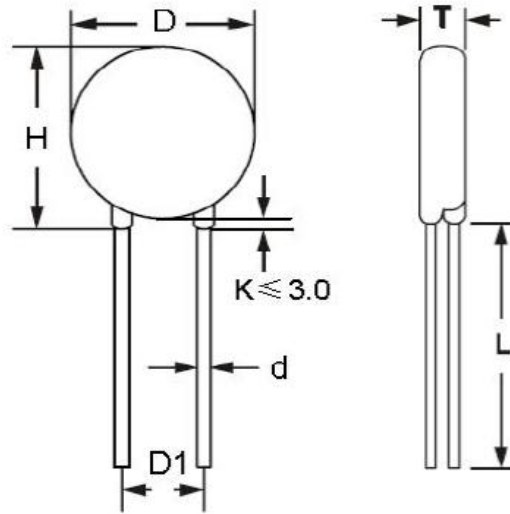


TABLE1		TABLE2			
Symbol	Dimensions	Part number	T(±1.0mm)	Part number	T(±1.0mm)
H(Max)	26.5mm	20D180K	3.95mm	20D361K	4.08mm
L(Min)	22.0mm	20D220K	4.04mm	20D391K	4.25mm
D(Max)	23.0mm	20D270K	4.19mm	20D431K	4.47mm
D1(±0.8)	7.5±0.8/10.0±1.0	20D330K	4.40mm	20D471K	4.69mm
T	TABLE2	20D390K	4.16mm	20D511K	4.91mm
d(±0.05)	0.8mm/1.0mm	20D470K	4.37mm	20D561K	5.18mm
		20D560K	4.02mm	20D621K	5.51mm
		20D680K	4.32mm	20D681K	5.84mm
		20D820K	3.48mm	20D751K	6.23mm
		20D101K	3.65mm	20D781K	6.39mm
		20D121K	3.80mm	20D821K	6.61mm
		20D151K	3.52mm	20D911K	6.87mm
		20D181K	3.66mm	20D102K	8.34mm
		20D201K	3.76mm	20D112K	8.86mm
		20D221K	3.84mm	20D122K	8.39mm
		20D241K	3.95mm	20D142K	9.96mm
		20D271K	4.00mm	20D162K	10.48mm
		20D301K	4.05mm	20D182K	11.53mm
		20D331K	4.22mm		

Packing Information

Part Number	Quantity	Packaging Option	Packaging Specification
20DxxxK	250PCS	Plastic bag	Bulk Pack

## Notice for use

To avoid damage to other equipment due to fire or deterioration caused by varistor, please refer to and observe the following principles:

1) When a high current or high voltage flows into the varistor, the varistor itself may be damaged, heated, smoke, catch fire and burst.

To avoid this, fuses or circuit breakers can be installed at both ends of the varistor or power supply;

The fuses of the following specifications are for reference only:

	Diameter 05D	07D	10D	14D	20D
Rated current of fuse	1-2A	2-3A	3-5A	3-10A	5-15A

2) Do not allow the current and energy flowing into the varistor to exceed its rated value.

3) The Varistor brand names and marks are all patent applications of the company. Customers who use or sell our Varistors that are not specifically designated for such applications are at their own risk.

4) All Varistors product specifications and data are subject to change without notice, please improve. For any data sheet Or any other data sheet. Any errors included. Inaccurate or incomplete shall not be liable.

5) Regarding the suitability of products for specific applications. It is the customer's responsibility to confirm that products with the characteristics described in the product specifications application. The data provided in the parameter data sheets and / or specifications may vary for different applications and performance may vary over time Variety. All operating parameters, including typical parameters, must be provided by the customer 's technical experts. Product specifications will not expand or Modify the procurement terms and conditions in other ways, including but not limited to the guarantees described therein.

6) Do not place flammable substances near the varistor.

7) The varistor can only emit a small amount of heat energy, so it is not suitable for use in equipment that often generates sudden heat.

In addition, the higher the working environment of the varistor, the smaller the proportion of heat dissipated.

Varistors can only dissipate a small amount of heat energy, so they are not suitable for use in equipment that often generates sudden heat.

If a large amount of heat acts on the varistor in an instant, it is possible that the heat energy cannot be dissipated within the pulse time And the varistor is damaged.

8) When welding, please be careful not to melt the welding points of the varistor and the resin coating.

### Material category policy

All our Varistor products hereby certify that RoHS-compliant products are in accordance with the definitions and

Restrictions on June 8, 2011 regarding restrictions on the use of certain hazardous substances (Reach) in electrical and electronic equipment. We confirm All our Varistor products comply with the IEC 61249-2-21 JEDEC JS709A standard.