

Metal Oxide Varistors (MOV)

Features

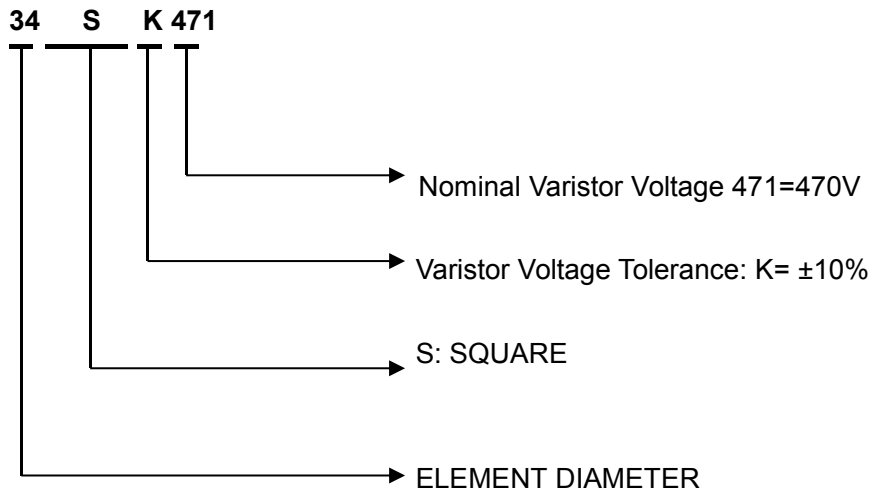
- Wide operating voltage (V1mA) range from 200V to 1800V
- Fast responding to transient over-voltage
- Large absorbing transient energy capability
- Low clamping ratio and no follow-on current
- Meets MSL level 1, per J-STD-020
- Operating Temperature: -40°C ~ +85°C
- Storage Temperature: -40°C ~ +125°C
- UL 1449 4th for SPD Type 5 application
- Safety certification:



Applications

- Transistor, diode, IC, thyristor or triac semiconductor protection
- Surge protection in consumer electronics
- Surge protection in industrial electronics
- Surge protection in electronic home appliances, gas and petroleum appliances
- Relay and electromagnetic valve surge absorption

Description of Part Number



Delivery Time

Standard MOV	Delivery Time	Standard MOV	Delivery Time
34SK201~34SK182	18days	34SK201~34SK182	18days

Electrical Characteristics



Part Number	Maximum Allowable Voltage		Varistor Voltage V <sub>1mA</sub> (V)	Maximum Clamping Voltage		Max Surge Current 8/20μs I <sub>max</sub>	Surge Operating Duty Test IEC 61643-11(8/20μs)		Maximum Energy 10/1000μs (J)	Safety Certification UL /CUL
	V <sub>AC</sub>	V <sub>DC</sub>		I <sub>P</sub> (A)	V <sub>C</sub> (V)		I <sub>max</sub>	I <sub>n</sub>		
34SK201	130V	170V	200(180~220)	300	340	40KA	40KA	20KA	330	√
34SK221	140V	180V	220(198~242)	300	360	40KA	40KA	20KA	360	√
34SK241	150V	200V	240(216~264)	300	395	40KA	40KA	20KA	390	√
34SK271	175V	225V	270(243~297)	300	455	40KA	40KA	20KA	420	√
34SK301	190V	250V	300(270~330)	300	500	40KA	40KA	20KA	460	-
34SK331	210V	275V	330(297~363)	300	550	40KA	40KA	20KA	500	√
34SK361	230V	300V	360(324~396)	300	595	40KA	40KA	20KA	510	√
34SK391	250V	320V	390(351~429)	300	650	40KA	40KA	20KA	530	√
34SK431	275V	350V	430(387~473)	300	710	40KA	40KA	20KA	600	√
34SK471	300V	385V	470(423~517)	300	775	40KA	40KA	20KA	650	√
34SK511	320V	415V	510(459~561)	300	845	40KA	40KA	20KA	700	√
34SK561	350V	460V	560(504~616)	300	925	40KA	40KA	20KA	730	√
34SK621	385V	505V	620(558~682)	300	1025	40KA	40KA	20KA	780	√
34SK681	420V	560V	680(612~748)	300	1120	40KA	40KA	20KA	810	√
34SK751	460V	615V	750(675~825)	300	1240	40KA	40KA	20KA	850	√
34SK781	485V	640V	780(702~858)	300	1290	40KA	40KA	20KA	930	√
34SK821	510V	670V	820(738~902)	300	1355	40KA	40KA	20KA	970	√
34SK911	550V	745V	910(819~1001)	300	1500	40KA	40KA	20KA	1050	√
34SK951	575V	760V	950(855~1045)	300	1570	40KA	40KA	20KA	1080	√
34SK102	625V	825V	1000(900~1100)	300	1650	40KA	40KA	20KA	1120	√
34SK112	680V	895V	1100(990~1210)	300	1815	40KA	40KA	20KA	1250	√
34SK122	750V	980V	1200(1080~1320)	300	1980	40KA	40KA	20KA	1250	√
34SK142	880V	1140V	1400(1260~1540)	300	2310	40KA	40KA	20KA	1400	-
34SK162	1000V	1280V	1600(1440~1760)	300	2640	40KA	40KA	20KA	1500	-
34SK182	1100V	1465V	1800(1620~1980)	300	2970	40KA	40KA	20KA	1600	-

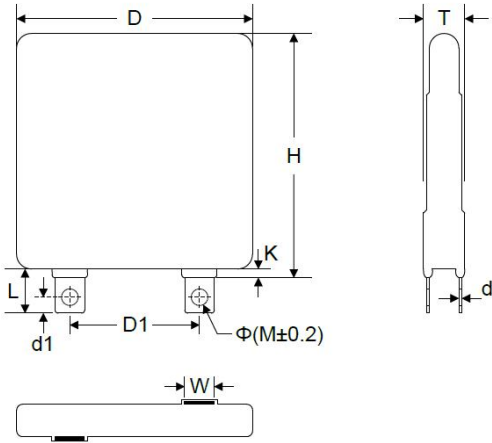


TABLE1		TABLE2	
Symbol	Dimensions	Part number	T(±1.0mm)
H(Max)	40.0mm	<b>34SK201</b>	3.7mm
L(Min)	14.5mm	<b>34SK221</b>	3.8mm
D(Max)	38.0mm	<b>34SK241</b>	3.9mm
D1(±1.0)	25.4mm	<b>34SK271</b>	4.1mm
T	TABLE2	<b>34SK301</b>	4.3mm
d(±0.25)	0.5mm	<b>34SK331</b>	4.4mm
d1(±0.3)	3.7mm	<b>34SK361</b>	4.6mm
K(Max)	3.2mm	<b>34SK391</b>	4.8mm
W(±0.5)	7.0mm	<b>34SK431</b>	4.9mm
ΦM(±0.2)	3.2mm	<b>34SK471</b>	5.3mm
		<b>34SK511</b>	5.5mm
		<b>34SK561</b>	5.8mm
		<b>34SK621</b>	6.2mm
		<b>34SK681</b>	6.5mm
		<b>34SK751</b>	6.9mm
		<b>34SK781</b>	7.1mm
		<b>34SK821</b>	7.3mm
		<b>34SK911</b>	7.9mm
		<b>34SK951</b>	8.7mm
		<b>34SK102</b>	9.3mm
		<b>34SK112</b>	9.8mm
		<b>34SK122</b>	10.5mm
		<b>34SK142</b>	11.5mm
		<b>34SK182</b>	12.5mm

Packing Information



Part Number	Quantity	Packaging Option
34SK201 ~ 34SK561	60PCS	Foam box
34SK621 ~ 34SK182	40PCS	Foam box

Foam Box Bulk Pack

34SK201 ~ 34SK561

34SK621 ~ 34SK182

