

Model	FSVA33V431KA		
1.OUTLINE			
1.1	APPEARANCE	No defect, no black edge metal powder adhesion	
1.2	DIMENSIONS	DIMENSIONS (mm)	
		L (±2.0)	43.9
		W (±2.0)	42.8
		W1 (±2.0)	41
		T (±2.0)	16
		F (±2.0)	25.5
		L1 (±2.0)	19.3
		Polar surface material: Aluminum	
	V fastening		

2:Product print:



3: Status of Switch Contacts of Remote Indicator

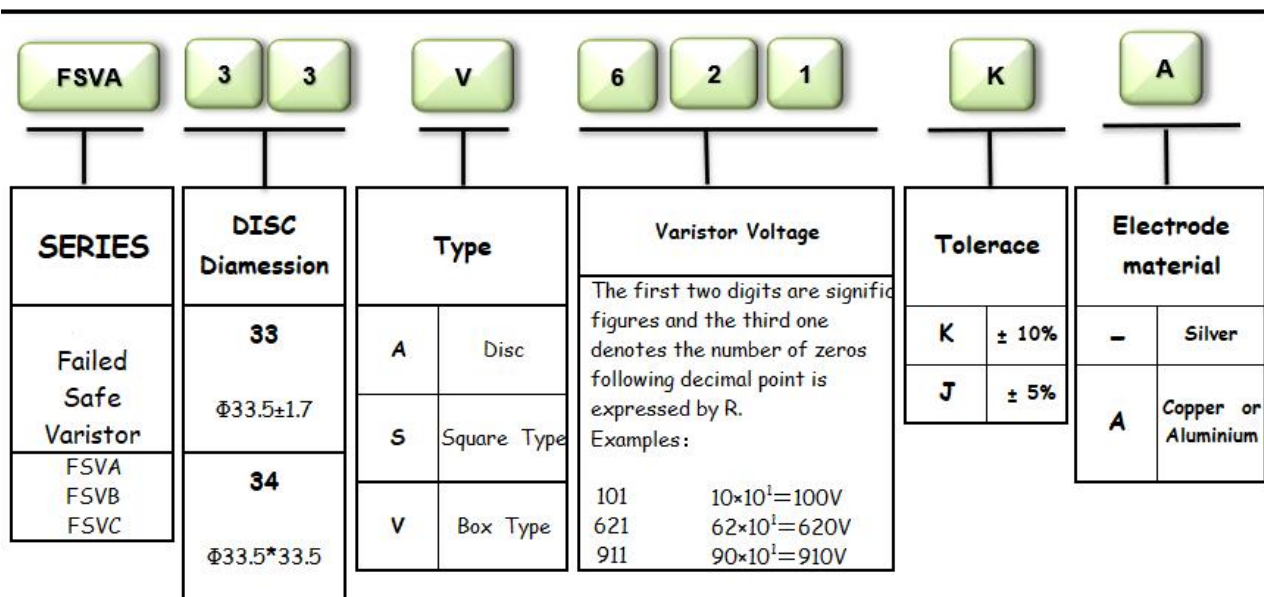
STATUS OF SWITCH CONTACTS OF REMOTE INDICATOR	
Normal Status	Failure Status
<p>Upper Remote Indicator: Normally Open</p> <p>Bottom Remote Indicator: Normally Closed</p>	<p>Upper Remote Indicator: Normally Closed</p> <p>Bottom Remote Indicator: Normally Closed</p>

2. Electrical / Thermal Specification:


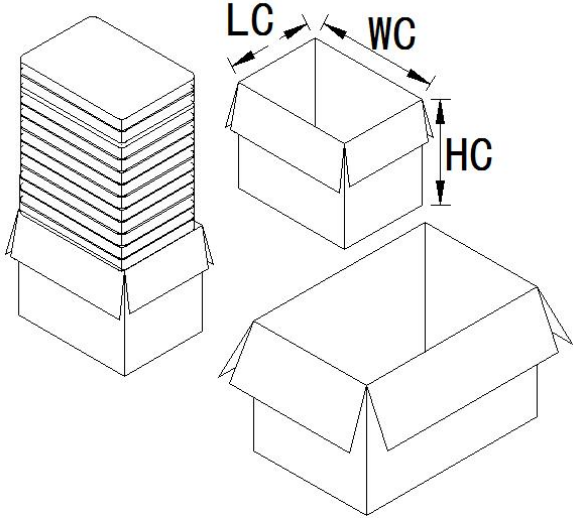
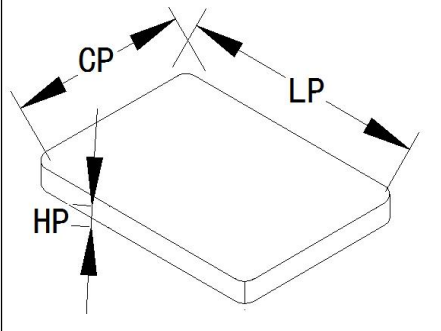
Maximum ac continuous working voltage (最大持续交流工作电压)	275V	
Maximum dc continuous working voltage (最大持续直流工作电压)	350V	
Varistor Voltage (压敏电压)	387-473V	V0.1mA □ V1mA ■
Maximum DC Leakage Curren (漏电流)	15µA	At 75% of Varistor Voltage
Nonlinear exponent(α) (非线性系数)	≥ 21	$\alpha = \frac{\log \frac{I1}{I2}}{\log \frac{V1}{V2}}$
①Nominal discharge current 8/20us (标称放电电流)	In:20KA	Test Current Waveform 8/20µs*15 Divided into three groups of 5 times each, with 1 minute interval between groups and 30 minutes interval between groups
②Maximum discharge current 8/20us (最大放电电流)	I _{max} :40KA / 50KA	Test Current Waveform 8/20µs*1
Operation Temperature Ranger(工作温度范围)	-40~+85 °C	-40~+85 °C
Storage Temperature Ranger(储存温度范围)	-40~+105 °C	-40~+105 °C
Temperature Coefficient Of Varistor Voltage(温度系数)	-0.05 % / °C max.	$\frac{V_{c85^{\circ}C} - V_{c25^{\circ}C}}{V_{cat25^{\circ}C}} \times \frac{1}{60} \times 100(\%^{\circ}C)$

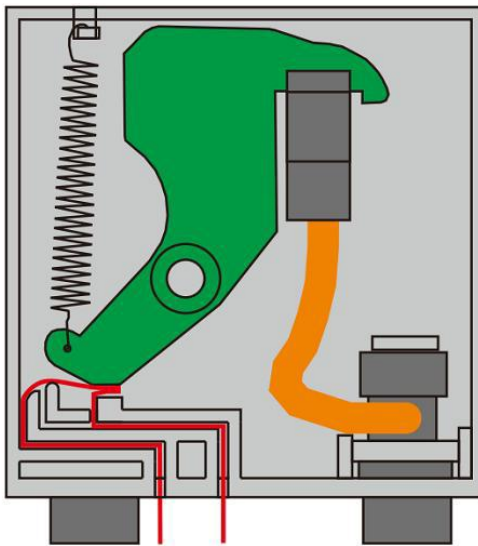
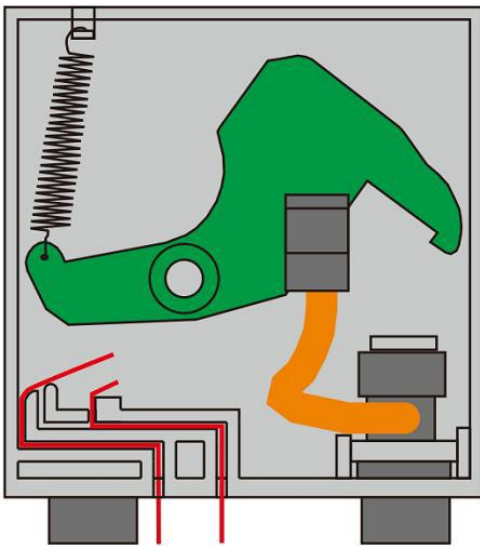
3. Product code rules: (产品编码规则)

Part number code 編碼說明



4. PACKING

4.1	Quantity	12PCS						
4.2	Packing Dimension							
								
		LP	250mm	Packaging 12pcs	LC	220mm	inner Carton	12PCS
		HP	22mm		HC	250mm	Packaging	288PCS
		CP	180mm		WP	270mm		



ShenZhen HuaXingAn Electronics CO.,LTD

SPECIFICATTON FOR APPROVAL

CUSTOMER NAME: _____

PRODUCT NAME: TPMOV

HuaXingAn P/N : FSVA33V511KA

Date : 2022-11-12

Customer

Manufacturing Department: _____

Quality Assurance Department: _____

Engineering Department: _____

company seal:

Supplier

Manufacturing Department: Lui Zhi Wei

Quality Assurance Department: Wei Yu

Engineering Department: Chen Tan wang

company seal:

TEL : +86 - 755- 27465585

Email: sales@huaandz.com

Fax : +86 - 755- 27270662

abc0734@126.com

Address: 5F, Building C, No.30, Aviation Road, SanWei, XiXiang Street, BaoAn District, ShenZhen City, GuangDong Province, China 518126

Web: www.huaandz.com

Model	FSVA33V511KA		
1.OUTLINE			
1.1	APPEARANCE	No defect, no black edge metal powder adhesion	
1.2	DIMENSIONS	DIMENSIONS (mm)	
		L (±2.0)	43.9
		W (±2.0)	42.8
		W1 (±2.0)	41
		T (±2.0)	16
		F (±2.0)	25.5
		L1 (±2.0)	19.3
		Polar surface material: Aluminum	
V fastening			

2:Product print:



3: Status of Switch Contacts of Remote Indicator

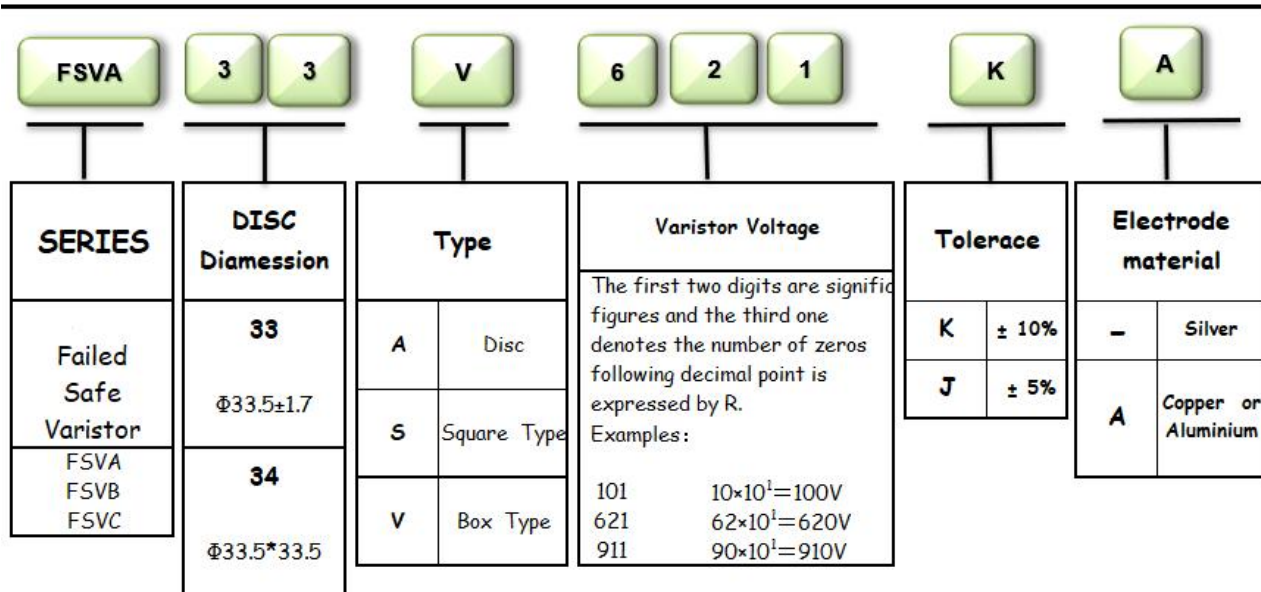
STATUS OF SWITCH CONTACTS OF REMOTE INDICATOR	
Normal Status	Failure Status

2. Electrical / Thermal Specification:


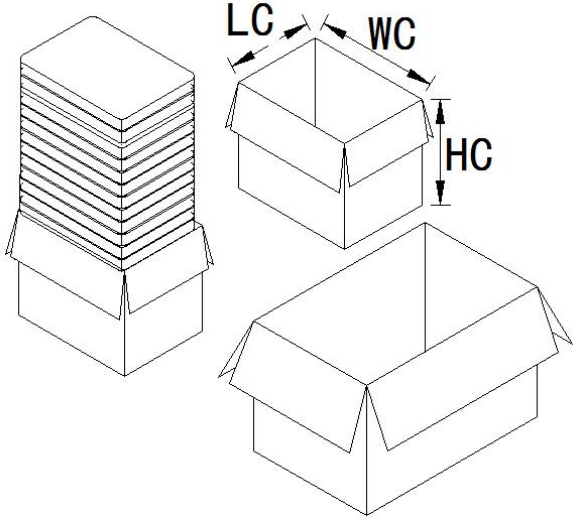
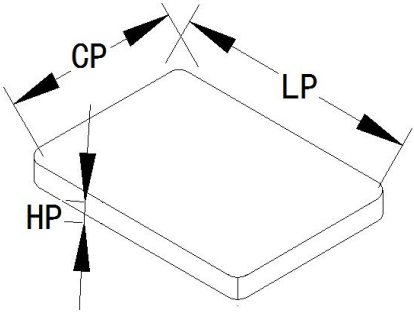
Maximum ac continuous working voltage (最大持续交流工作电压)	320V	
Maximum dc continuous working voltage (最大持续直流工作电压)	415V	
Varistor Voltage (压敏电压)	459V-561V	V0.1mA □ V1mA ■
Maximum DC Leakage Curren (漏电流)	15µA	At 75% of Varistor Voltage
Nonlinear exponent(α) (非线性系数)	≧ 21	$\alpha = \frac{\log \frac{I1}{I2}}{\log \frac{V1}{V2}}$
①Nominal discharge current 8/20us (标称放电电流)	In:20KA	Test Current Waveform 8/20µs*15 Divided into three groups of 5 times each, with 1 minute interval between groups and 30 minutes interval between groups
②Maximum discharge current 8/20us (最大放电电流)	I _{max} :40KA / 50KA	Test Current Waveform 8/20µs*1
Operation Temperature Ranger(工作温度范围)	-40~+85 °C	-40~+85 °C
Storage Temperature Ranger(储存温度范围)	-40~+105 °C	-40~+105 °C
Temperature Coefficient Of Varistor Voltage(温度系数)	-0.05 % / °C max.	$\frac{V_{c85^{\circ}C} - V_{c25^{\circ}C}}{V_{cat25^{\circ}C}} \times \frac{1}{60} \times 100 (\% / ^{\circ}C)$

3. Product code rules: (产品编码规则)

Part number code 編碼說明



4.PACKING

4.1	Quantity	12PCS							
4.2	Packing Dimension								
									
		LP	250mm	Packaging	12pcs	LC	220mm	inner Carton	12PCS
		HP	22mm			HC	250mm	Packaging	288PCS
		CP	180mm			WP	270mm		

