

Model	FSVA33VxxxKA1
UL file Number	E356664 (SPD Type 1CA)

1.OUTLINE

1.1	APPEARANCE	No defect, no black edge metal powder adhesion
1.2	DIMENSIONS	DIMENSIONS (mm)

	L (±2.0)	42.7
	W (±2.0)	42.8
	W1 (±2.0)	41
	T (±2.0)	16
	F (±2.0)	25.5
	L1 (±2.0)	19.3
Polar surface material: Aluminum		
V fastening		

Product print:



STATUS OF SWITCH CONTACTS OF REMOTE INDICATOR	
Normal Status	Failure Status
<p>Upper Remote Indicator: Normally Open</p> <p>Bottom Remote Indicator: Normally Closed</p>	<p>Upper Remote Indicator: Normally Closed</p> <p>Bottom Remote Indicator: Normally Closed</p>

2.Specification:

Item	FSVA33V241KA1	FSVA33V271KA1	FSVA33V431KA1	FSVA33V471KA1
Maximum AC continuous operating voltage (MCOV)	150Vac	180Vac	275Vac	300Vac
Varistor Voltage (V)	216V-264V	243V-297V	387V-473V	423V-517V
Maximum DC Leakage Curren	15 μ A			
Nonlinear exponent(α)	\cong 21			
Nominal discharge current 8/20us	In:20KA			
Maximum discharge current 8/20us	Imax: 50KA			
Maximum VPR at 6KV/3KA Combination wave	\leq 700V	\leq 1200V	\leq 1200V	\leq 1200V
SCCR test voltage	200KA	200KA	200KA	200KA
Operation Temperature Ranger	-40~+85 $^{\circ}$ C			
Storage Temperature Ranger	-40~+105 $^{\circ}$ C			
Temperature Coefficient Of Varistor Voltage	-0.05 % / $^{\circ}$ C max.			

2.Specification:**(continue)**

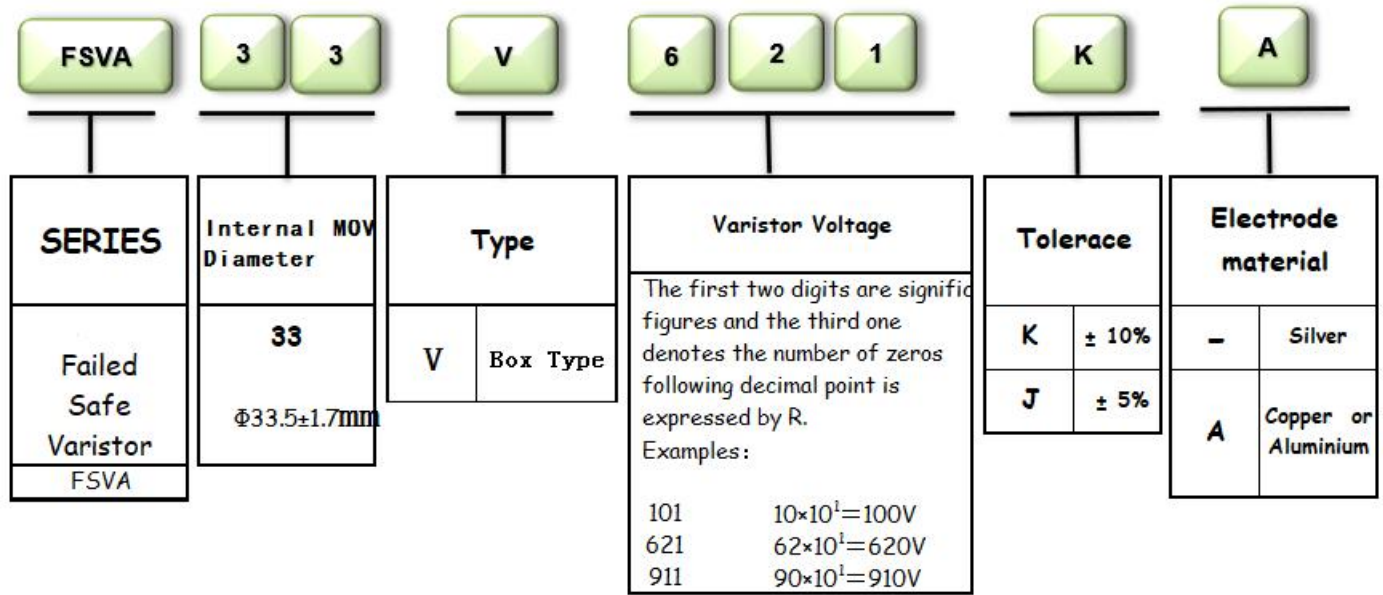
Item	FSVA33V511KA1	FSVA33V561KA1	FSVA33V621KA1	FSVA33V681KA1
Maximum AC continuous operating voltage (MCOV)	320Vac	350Vac	385Vac	420Vac
Varistor Voltage (V)	459V-561V	504V-616V	558V-682V	612V-748V
Maximum DC Leakage Curren	15 μ A			
Nonlinear exponent(α)	\cong 21			
Nominal discharge current 8/20us	In:20KA			
Maximum discharge current 8/20us	Imax: 50KA			
Maximum VPR at 6KV/3KA Combination wave	\leq 1200V	\leq 1500V	\leq 1500V	\leq 1500V
SCCR test voltage	200KA	200KA	200KA	150KA
Operation Temperature Ranger	-40~+85 $^{\circ}$ C			
Storage Temperature Ranger	-40~+105 $^{\circ}$ C			
Temperature Coefficient Of Varistor Voltage	-0.05 % / $^{\circ}$ C max.			

2.Specification: (continue)

Item	FSVA33V711KA1	FSVA33V751KA1	FSVA33V821KA1	FSVA33V911KA1
Maximum AC continuous operating voltage (MCOV)	440Vac	460Vac	510Vac	550Vac
Varistor Voltage (V)	639V-781V	675V-825V	738V-902V	819V-1001V
Maximum DC Leakage Current	15µA			
Nonlinear exponent(α)	≥ 21			
Nominal discharge current 8/20us	In:20KA			
Maximum discharge current 8/20us	Imax: 50KA			
Maximum VPR at 6KV/3KA Combination wave	≤1800V	≤1800V	≤1800V	≤1800V
SCCR test voltage	150KA	150KA	150KA	150KA
Operation Temperature Ranger	-40~+85 °C			
Storage Temperature Ranger	-40~+105 °C			
Temperature Coefficient Of Varistor Voltage	-0.05 % / °C max.			

3. Product code rules:


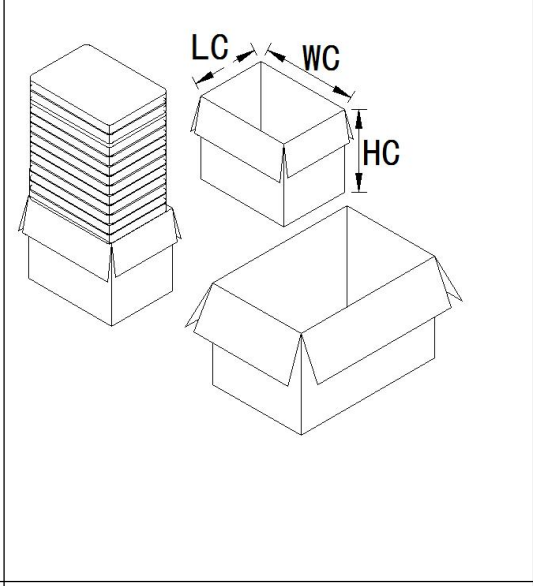
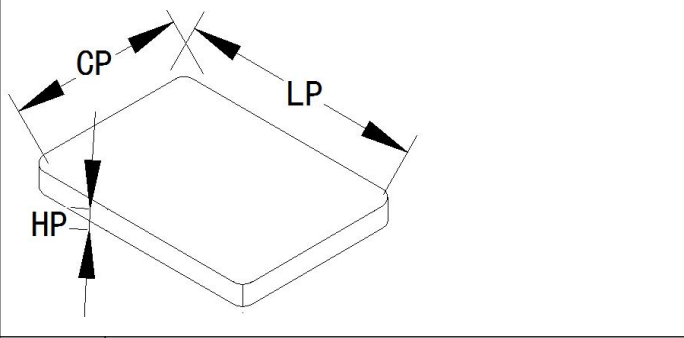
Part number code 編碼說明



Safety Agency Approvals

■ UL/CUL file Number: E356664 (SPD Type 1CA)

4.PACKING

4.1	Quantity	12PCS/Inner box		288pcs/carton	
4.2	Packing Dimension				
					
		LP	220mm	W C	270mm
		HP	22mm	HC	500mm
		CP	180mm	LC	220mm