

Metal Oxide Varistors (MOV)

Features

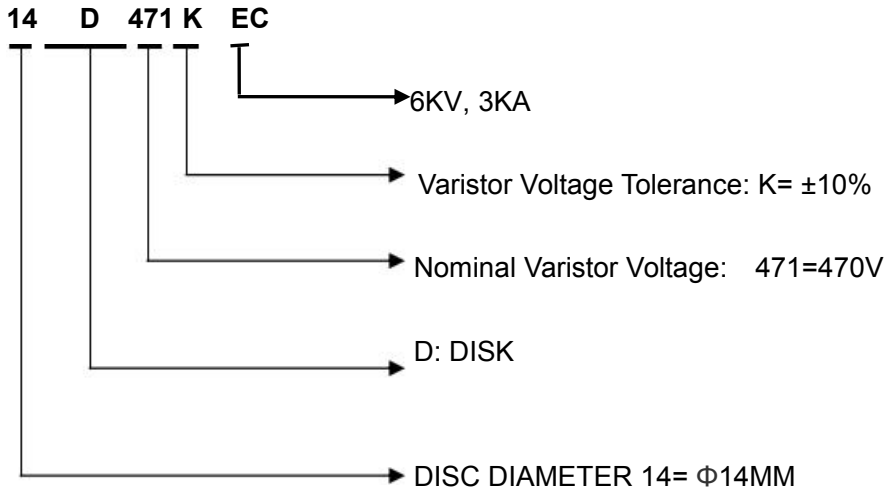
- Wide operating voltage (V1mA) range from 18V to 1800V
- Fast responding to transient over-voltage
- Large absorbing transient energy capability
- Low clamping ratio and no follow-on current
- Meets MSL level 1, per J-STD-020
- Operating Temperature: -40°C ~ +85°C
- Storage Temperature: -40°C ~ +125°C
- Safety certification:



Applications

- Transistor, diode, IC, thyristor or triac semiconductor protection
- Surge protection in consumer electronics
- Surge protection in industrial electronics
- Surge protection in electronic home appliances, gas and petroleum appliances
- Relay and electromagnetic valve surge absorption

Description of Part Number



Delivery Time

6KV/3KA MOV	Delivery Time	6KV/3KA MOV	Delivery Time
14D820KEC ~ 14D821KEC	18days	14D820KHC~14D821KHC	18days

Electrical Characteristics

Part Number	Maximum Allowable Voltage		Varistor Voltage V _{1mA} (V)	Maximum Clamping Voltage	Withstanding Surge Current 1.2/50us & 8/20us combination of wave,6KV/3KA Sub 0,90,180,270 four phases,Total	Maximum Energy (10/1000μs)	Safety Certification	
	V _{AC} (V)	V _{DC} (V)		V _c (V) AT 25A		(J) High Surge	UL / CUL	VDE
14D820KEC	50	65	82(73.8~90.2)	135	40 times	27	√	√
14D101KEC	60	85	100(90~110)	165	40 times	33	√	√
14D121KEC	75	100	120(108~132)	200	40 times	40	√	√
14D151KEC	95	125	150(135~165)	250	40 times	53	√	√
14D181KEC	115	150	180(162~198)	300	40 times	60	√	√
14D201KEC	130	170	200(180~220)	340	40 times	70	√	√
14D221KEC	140	180	220(198~242)	360	40 times	78	√	√
14D241KEC	150	200	240(216~264)	395	40 times	84	√	√
14D271KEC	175	225	270(243~297)	455	40 times	99	√	√
14D301KEC	190	250	300(270~330)	500	40 times	108	√	√
14D331KEC	210	275	330(297~363)	550	40 times	115	√	√
14D361KEC	230	300	360(324~396)	595	40 times	130	√	√
14D391KEC	250	320	390(351~429)	650	40 times	140	√	√
14D431KEC	275	350	430(387~473)	710	40 times	155	√	√
14D471KEC	300	385	470(423~517)	775	40 times	175	√	√
14D511KEC	320	415	510(459~561)	845	40 times	180	√	√
14D561KEC	350	460	560(504~616)	925	40 times	185	√	√
14D621KEC	385	505	620(558~682)	1025	40 times	190	√	√
14D681KEC	420	560	680(612~748)	1120	40 times	200	√	√
14D751KEC	460	615	750(675~825)	1240	40 times	210	√	√
14D781KEC	485	640	780(702~858)	1290	40 times	220	√	√
14D821KEC	510	670	820(738~902)	1355	40 times	235	√	√

Electrical Characteristics

Part Number	Maximum Allowable Voltage		Varistor Voltage $V_{1mA}(V)$	Maximum Clamping Voltage $V_c(V)$ AT 25A	Withstanding Surge Current 1.2/50us & 8/20us combination of wave,6KV/3KA Sub 0,90,180,270 four phases,Total	Maximum Energy (10/1000μs) (J) High Surge	Safety Certification	
	$V_{AC}(V)$	$V_{DC}(V)$					UL / CUI	VDE
14D820KHC	50	65	82(73.8~90.2)	135	60 times	27	√	√
14D101KHC	60	85	100(90~110)	165	60 times	33	√	√
14D121KHC	75	100	120(108~132)	200	60 times	40	√	√
14D151KHC	95	125	150(135~165)	250	60 times	53	√	√
14D181KHC	115	150	180(162~198)	300	60 times	60	√	√
14D201KHC	130	170	200(180~220)	340	60 times	70	√	√
14D221KHC	140	180	220(198~242)	360	60 times	78	√	√
14D241KHC	150	200	240(216~264)	395	60 times	84	√	√
14D271KHC	175	225	270(243~297)	455	60 times	99	√	√
14D301KHC	190	250	300(270~330)	500	60 times	108	√	√
14D331KHC	210	275	330(297~363)	550	60 times	115	√	√
14D361KHC	230	300	360(324~396)	595	60 times	130	√	√
14D391KHC	250	320	390(351~429)	650	60 times	140	√	√
14D431KHC	275	350	430(387~473)	710	60 times	155	√	√
14D471KHC	300	385	470(423~517)	775	60 times	175	√	√
14D511KHC	320	415	510(459~561)	845	60 times	180	√	√
14D561KHC	350	460	560(504~616)	925	60 times	185	√	√
14D621KHC	385	505	620(558~682)	1025	60 times	190	√	√
14D681KHC	420	560	680(612~748)	1120	60 times	200	√	√
14D751KHC	460	615	750(675~825)	1240	60 times	210	√	√
14D781KHC	485	640	780(702~858)	1290	60 times	220	√	√
14D821KHC	510	670	820(738~902)	1355	60 times	235	√	√

Dimension(mm) Straight Lead

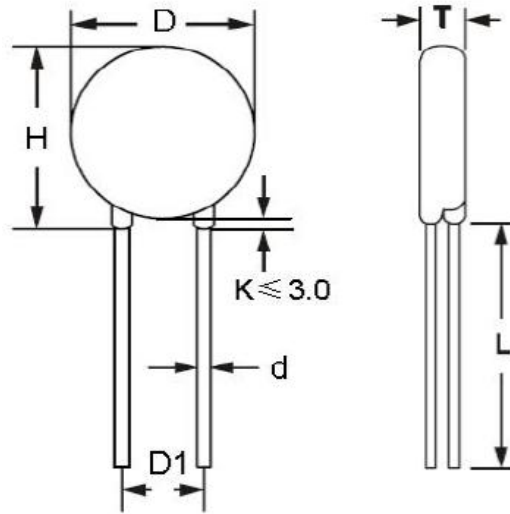


TABLE1		TABLE2			
Symbol	Dimensions	Part number	T(±1.0mm)	Part number	T(±1.0mm)
H(Max)	22.0mm	14D820K	3.38mm	14D361K	3.50mm
L(Min)	22.0mm	14D101K	3.25mm	14D391K	3.68mm
D(Max)	16.5mm	14D121K	3.40mm	14D431K	3.93mm
D1(±0.8)	7.5mm	14D151K	3.12mm	14D471K	4.17mm
T	TABLE2	14D181K	3.26mm	14D511K	4.42mm
d(±0.05)	0.8mm	14D201K	3.36mm	14D561K	4.72mm
		14D221K	3.40mm	14D621K	5.09mm
		14D241K	3.55mm	14D681K	5.46mm
		14D271K	3.60mm	14D751K	5.53mm
		14D301K	3.64mm	14D781K	5.59mm
		14D331K	3.32mm	14D821K	5.81mm

Packing Information

Part Number	Quantity	Packaging Option	Packaging Specification
14DxxxK	500PCS	Plastic bag	Bulk Pack

Notice for use

To avoid damage to other equipment due to fire or deterioration caused by varistor, please refer to and observe the following principles:

1) When a high current or high voltage flows into the varistor, the varistor itself may be damaged, heated, smoke, catch fire and burst.

To avoid this, fuses or circuit breakers can be installed at both ends of the varistor or power supply;

The fuses of the following specifications are for reference only:

	Diameter 05D	07D	10D	14D	20D
Rated current of fuse	1-2A	2-3A	3-5A	3-10A	5-15A

2) Do not allow the current and energy flowing into the varistor to exceed its rated value.

3) The Varistor brand names and marks are all patent applications of the company. Customers who use or sell our Varistors that are not specifically designated for such applications are at their own risk.

4) All Varistors product specifications and data are subject to change without notice, please improve. For any data sheet Or any other data sheet. Any errors included. Inaccurate or incomplete shall not be liable.

5) Regarding the suitability of products for specific applications. It is the customer's responsibility to confirm that products with the characteristics described in the product specifications application. The data provided in the parameter data sheets and / or specifications may vary for different applications and performance may vary over time Variety. All operating parameters, including typical parameters, must be provided by the customer 's technical experts. Product specifications will not expand or Modify the procurement terms and conditions in other ways, including but not limited to the guarantees described therein.

6) Do not place flammable substances near the varistor.

7) The varistor can only emit a small amount of heat energy, so it is not suitable for use in equipment that often generates sudden heat.

In addition, the higher the working environment of the varistor, the smaller the proportion of heat dissipated.

Varistors can only dissipate a small amount of heat energy, so they are not suitable for use in equipment that often generates sudden heat.

If a large amount of heat acts on the varistor in an instant, it is possible that the heat energy cannot be dissipated within the pulse time And the varistor is damaged.

8) When welding, please be careful not to melt the welding points of the varistor and the resin coating.

Material category policy

All our Varistor products hereby certify that RoHS-compliant products are in accordance with the definitions and Restrictions on June 8, 2011 regarding restrictions on the use of certain hazardous substances (Reach) in electrical and electronic equipment. We confirm All our Varistor products comply with the IEC 61249-2-21 JEDEC JS709A standard.