



M-FIAM3

Military 270Vin Filter Input Attenuator Module



Shown actual size:
2.28 x 2.2 x 0.5 in
57,9 x 55,9 x 12,7 mm

Features

- EMI filtering-MIL-STD-461E
- Transient protection-MIL-STD-704E
- Environments-MIL-STD-810, MIL-STD-202
- Environmental stress screening
- Low profile mounting options
- Output current up to 3 Amps
- Mini sized package
- Inrush current limiting

Product Highlights

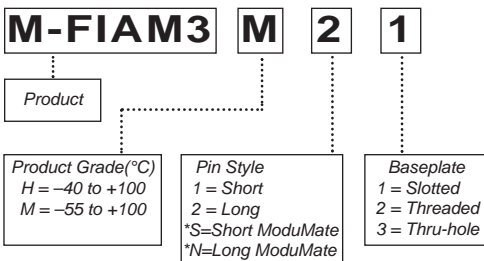
The M-FIAM3 is a DC front-end module that provides EMI filtering and transient protection required in military applications. The M-FIAM3 enables designers using Vicor 2nd Generation 300V DC-DC converters to meet conducted emission/conducted susceptibility per MIL-STD-461E; and input transients per MIL-STD-704E. The M-FIAM3 accepts an input voltage of 180-375Vdc and delivers output current up to 3 Amps.

M-FIAM3 is housed in an industry standard "half brick" module measuring 2.28" x 2.2" x 0.5" and depending upon model selected, may be mounted on-board or in-board for height critical applications.

Compatible Products

- 2nd Generation 300V Input DC-DC converters

Part Number Format



*Compatible with SurfMate and InMate socketing systems.

Thermal Resistance

Parameter	Typ
Baseplate to sink; flat, greased surface	0.16°C/Watt
Baseplate to sink; thermal pad (P/N 20264)	0.1°C/Watt
Baseplate to ambient	7.9°C/Watt
Baseplate to sink; 1000 LFM	2.2°C/Watt

Absolute Maximum Rating

Parameter	Rating	Unit	Notes
+In to -In	375	Vdc	Continuous
+In to -In	400	Vdc	100ms
Mounting torque	5 (0.57)	in-lbs	6 each, #4-40 or M3
Pin Soldering temperature	500 (260)	°F (°C)	<5 sec; wave solder
Pin Soldering temperature	750 (390)	°F (°C)	<7 sec; hand solder
Operating temperature H-Grade	-40 to +100	°C	Baseplate
Storage temperature H-Grade	-55 to +125	°C	
Operating temperature M-Grade	-55 to +100	°C	Baseplate
Storage temperature M-Grade	-65 to +125	°C	

Specifications

(typical at TBP = 25°C, nominal line, 75% load, unless otherwise specified)

Parameter	Min	Typ	Max	Remarks
Input voltage	180Vdc	270Vdc	375Vdc	Continuous
Output current			3A	
Inrush limiting			0.018A/μF	
Transient immunity				Exceeds limits of MIL-STD-704E
EMI:MIL-STD-461E				
Conducted emissions:	CE101, CE102			
Conducted susceptibility:	CS101, CS114, CS115, CS116			
Dielectric withstand		1,500Vrms		Input/Output to base
		2,121Vdc		Input/Output to base
Efficiency	96%	98%		
Internal voltage drop		3.0Vdc	5.0Vdc	@ 3A, 100°C baseplate
ON/OFF control				
Enable (ON)	0.0Vdc		1.0Vdc	Referenced to -Vout.
Disable (OFF)	3.5Vdc		5.0Vdc	100kΩ internal pull-up resistor
External capacitance				See illustration C1 on page 3.
	10μF		22μF	400V
Weight		3.1 (88)	4 (113)	Ounces (grams)
Warranty			2	Years

MTBF per MIL-HDBK-217F

Temp.	Environment	MTBF	Unit
25°C	Ground benign:G.B.	3,505,003	Hrs
50°C	Naval sheltered:N.S.	841,200	Hrs
65°C	Airborne inhabited cargo:A.I.C.	683,475	Hrs

Environmental Qualification

Altitude MIL-STD-810C, Method 500.2, Procedure I & II, 40,000 ft. and 70,000 ft. Operational.
Explosive Atmosphere MIL-STD-810F, Method 511.4, Procedure I, Operational.
Vibration MIL-STD-810F, Method 514.5, Procedure I, Category 14, Sine and Random vibration per Table 514.5C for Helicopter AH-6J Main Rotor with overall level of 5.6 grams for 4 hours per axis. MIL-STD-810F, Method 514.5C, General Minimum Integrity Curve per Figure 514.5C-17 with overall level of 7.7 grams for 1 hour per axis.
Shock MIL-STD-810-F, Method 516.5, Procedure I, Functional Shock, 40 G's. MIL-S-901D, Lightweight Hammer Shock, 3 impacts/axis, 1,3,5 ft. MIL-STD-202F, Method 213B, 60 G's, 9ms half sine. MIL-STD-202F, Method 213B, 75 G's, 11ms Saw Tooth Shock.
Acceleration MIL-STD-810F, Method 513.5, Procedure II, table 513.5-II, Operational, 2-7 G's, 6 directions.
Humidity MIL-STD-810F, Method 507.4, Procedure I, Cycle I, 240 hrs, 95% RH.
Solder Test MIL-STD-202F, Method 208, 8 hour aging.

Environmental Stress Screening

	H Grade	M Grade
Operating Temp.	-40°C to +100°C	-55°C to +100°C
Storage Temp.	-55°C to +125°C	-65°C to +125°C
Temp. Cycling:*	12 cycles -65°C to +100°C	12 cycles -65°C to +100°C
Ambient Test @ 25°C	Yes	Yes
Power Cycling	12 hours,	24 hours,
Burn-In:	28 cycles	56 cycles
Functional and Parametric ATE Tests:	-40°C and +100°C	-55°C and +100°C
Hi-Pot Test	Yes	Yes
Visual Inspection:	Yes	Yes
Test Data	vicorpower.com	vicorpower.com

*Temperature cycled with power off, 17°C per minute rate of change.

Conducted Noise

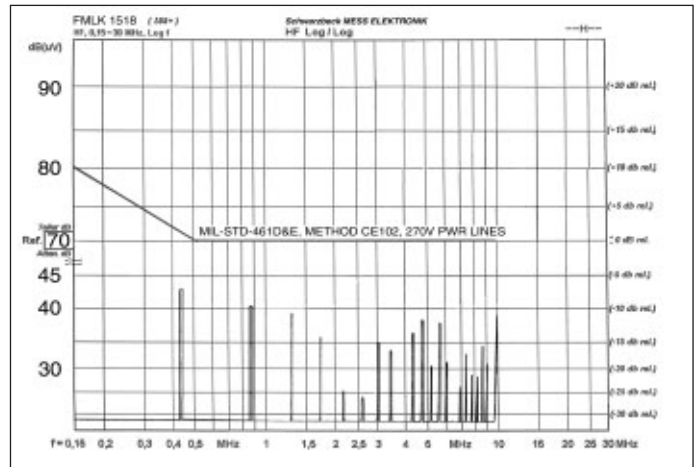


Figure 1– M-FIAM3 and Model V300A48M500AL DC-DC converter operating at 180Vdc, 130W.

Transient Immunity

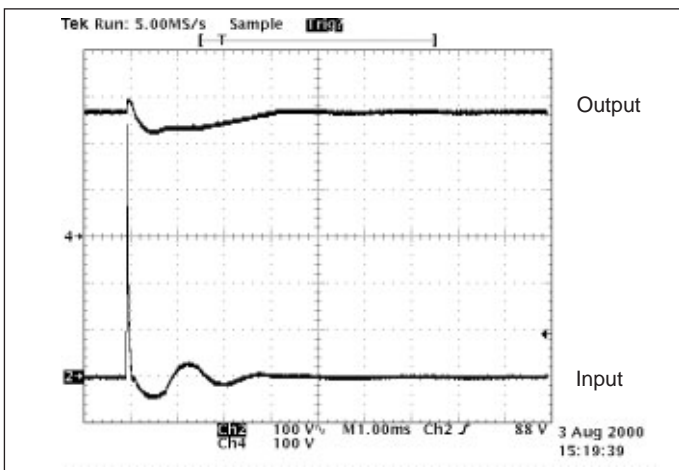


Figure 2 – Transient Immunity: M-FIAM3 output response to an input transient.

Inrush Limiting

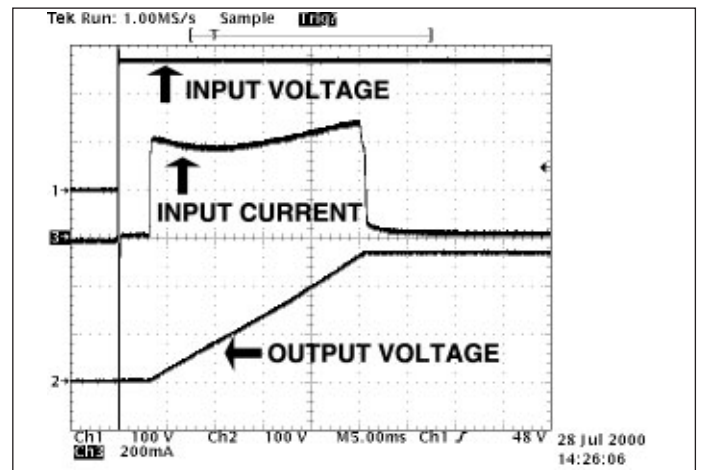
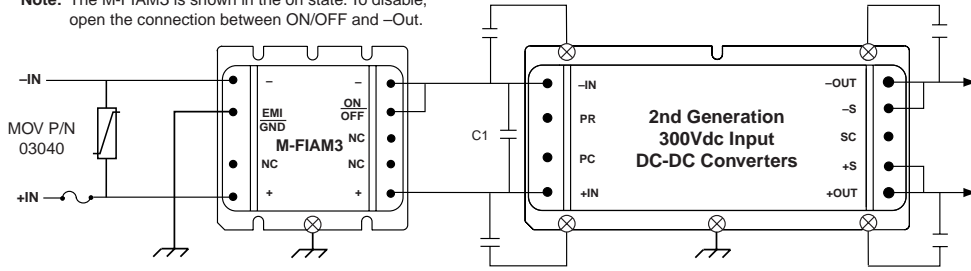


Figure 3– Inrush Limiting: Inrush current with 22μF external capacitance.

Transient and Surge Protection

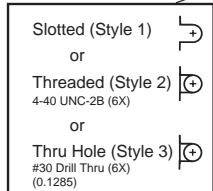
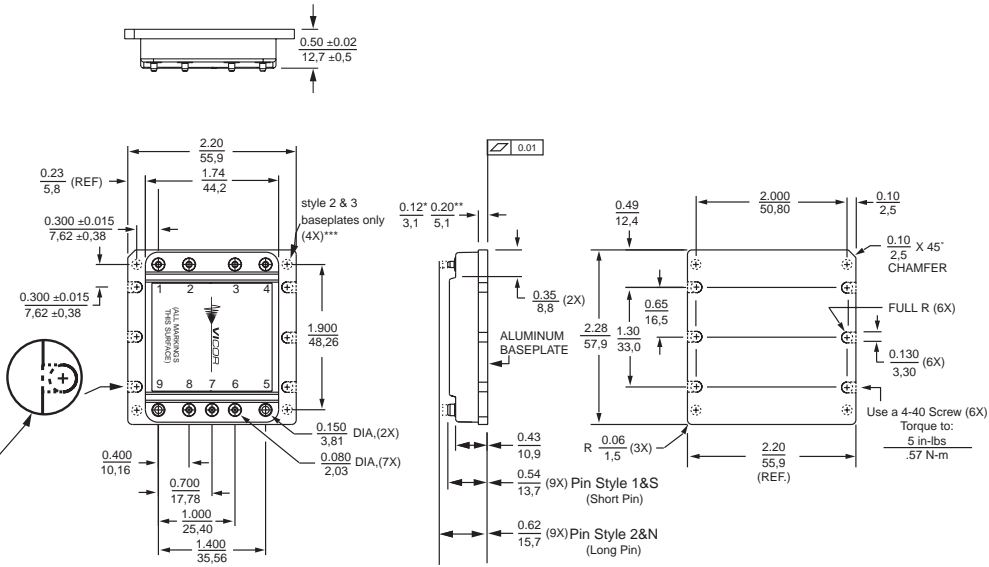
Note: The M-FIAM3 is shown in the on state. To disable, open the connection between ON/OFF and -Out.



Capacitance (C1)
10µF(min),22µF(max)
Recommended Fuse:
3A Max., F03A Type

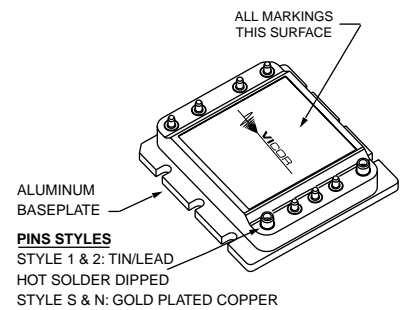
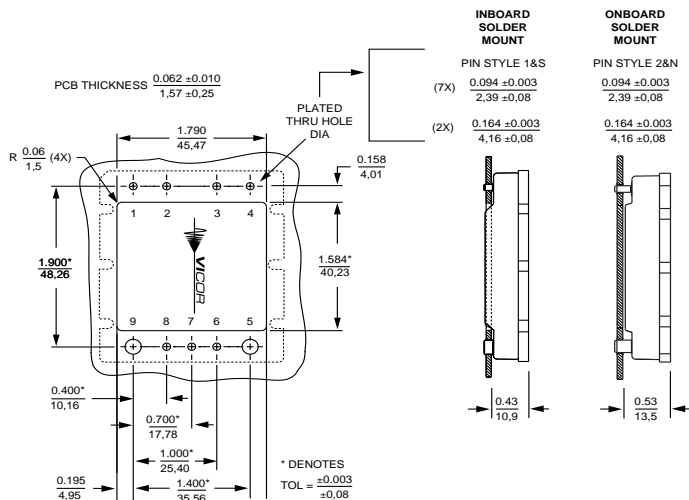
Mechanical Diagram

Module Pins		
No.	Function	Label
1	+In	+
2	No Connection	NC
3	Ground	EMI/GND
4	-In	-
5	-Out	-
6	ON/OFF	ON/OFF
7	No Connection	NC
8	No Connection	NC
9	+Out	+



* Style 1 baseplate only
** Style 2 & 3 baseplates
*** Reserved for Vicor accessories
Not for mounting

PCB Mounting Specifications



Vicor's comprehensive line of power solutions includes modular, high density DC-DC converters and accessory components, configurable power supplies, and custom power systems.

Information furnished by Vicor is believed to be accurate and reliable. However, no responsibility is assumed by Vicor for its use. No license is granted by implication or otherwise under any patent or patent rights of Vicor. Vicor components are not designed to be used in applications, such as life support systems, wherein a failure or malfunction could result in injury or death. All sales are subject to Vicor's Terms and Conditions of Sale, which are available upon request.

Specifications are subject to change without notice.



*Component Solutions
for Your Power System*

Vicor Corporation
25 Frontage Road
Andover, MA, USA 01810
Tel: 800-735-6200
978-470-2900
Fax: 978-475-6715

Email

Vicor Express: vicorexp@vicr.com
Technical Support: apps@vicr.com