



# Rack and Panel Connectors Military, MIL-C-28748/7/8 Qualified and Commercial Microminiature Rectangular



## FEATURES

- Qualified to MIL-C-28748/7/8
- Solder cup contacts
- Dip solder contacts
- Fixed and turnable screwlocks
- Optional closed entry socket contacts

## APPLICATIONS

Especially suited for use in airborne, instrumentation and portable equipment applications or wherever the following requirements must be met: Minimum space and weight without sacrifice of performance, high quality materials, long service life, high vibration and shock resistance and positive locking.

## ELECTRICAL SPECIFICATIONS

**Current Rating:** Model MM22 = 5 A

Model MM24 = 3 A

**Breakdown Voltage:** At sea level: 2000 V<sub>RMS</sub>

At 70 000 feet: 500 V<sub>RMS</sub>

## MATERIAL SPECIFICATIONS

**Contact Pin:** Phosphor bronze

**Contact Socket:** Phosphor bronze (Beryllium copper available on request)

**Contact Plating:** Gold

**Screwlocks:** Stainless steel, passivated

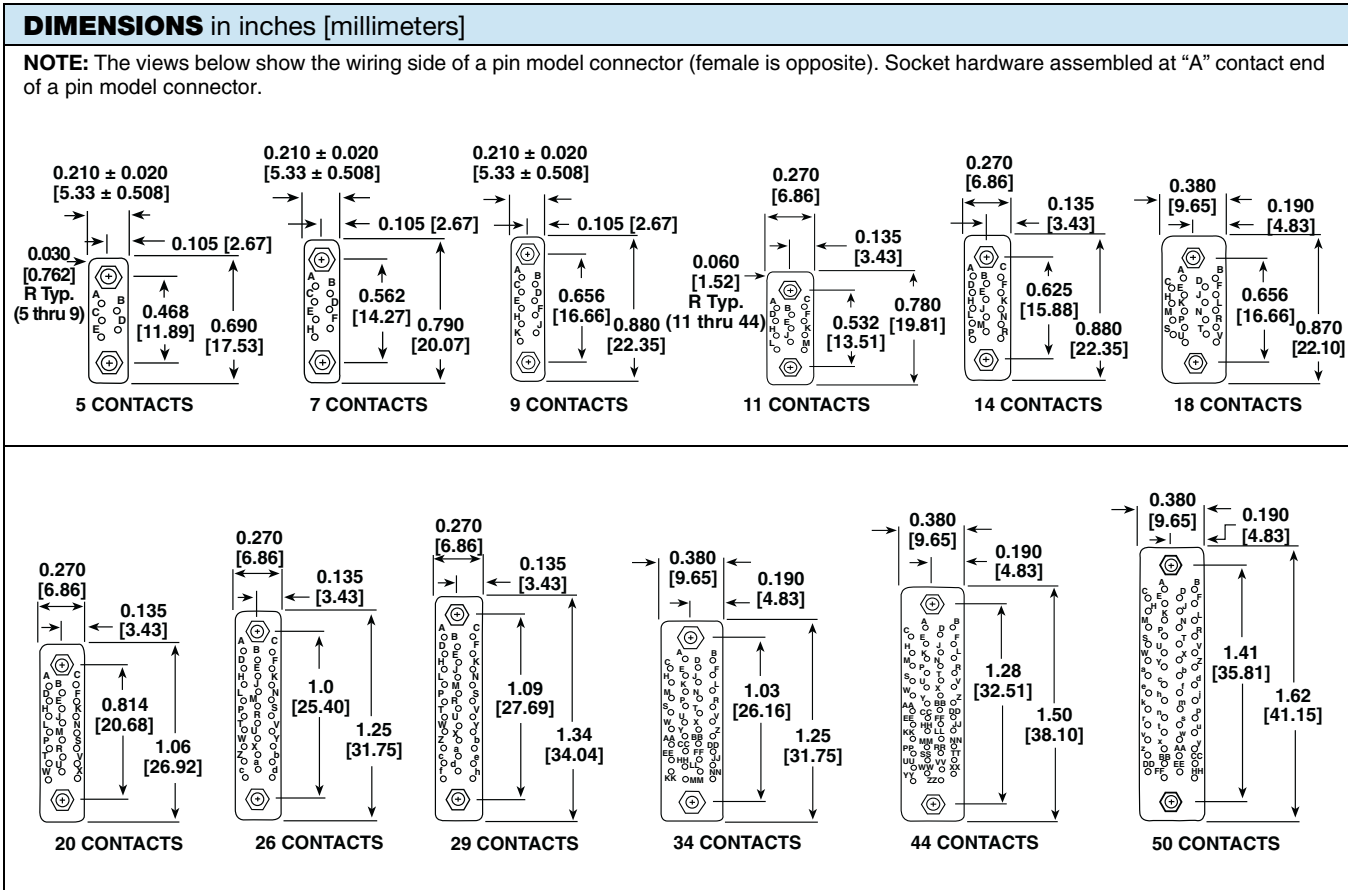
**Guides:** Brass, gold plated or stainless steel, passivated

**Standard Body:** Glass-filled diallyl phthalate per MIL-M-14, Model SDG-F, green

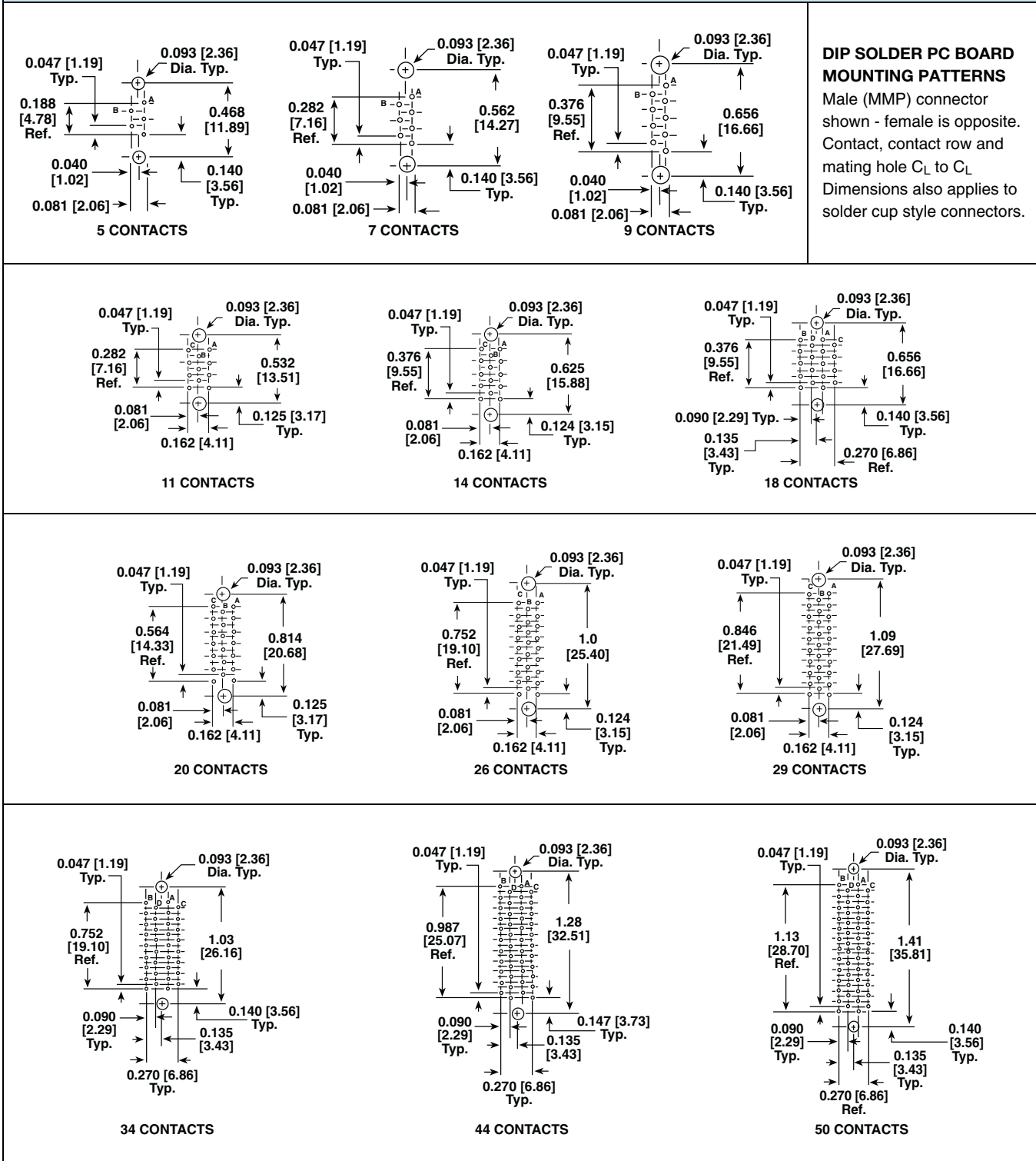
| DIMENSIONS in inches [millimeters]          |                                  |   |                                       |                  |
|---|----------------------------------|---|---------------------------------------|------------------|
| <b>MMS</b><br>With Solder Cup Contacts<br>  |                                  | <b>MMP</b><br>With Solder Cup Contacts<br>  |                                       |                  |
| <b>MMDS</b><br>With Dip Solder Contacts<br> |                                  | <b>MMDP</b><br>With Dip Solder Contacts<br> |                                       |                  |
| CONTACT GAUGE                               | B DIAMETER                       | CONTACT GAUGE                               | C DIP TAIL LENGTH                     | D DIAMETER       |
| 22 AWG                                      | 0.030 ± 0.001<br>[0.762 ± 0.025] | 22 AWG                                      | 0.160 or 0.350<br>[4.06 or 8.89] nom. | 0.025<br>[0.635] |
| 24 AWG                                      | 0.025 ± 0.001<br>[0.635 ± 0.025] | 24 AWG                                      | 0.160 or 0.350<br>[4.06 or 8.89] nom. | 0.025<br>[0.635] |

| <b>DIMENSIONS</b> in inches [millimeters]  |   |  |              | <b>HARDWARE TYPE</b>  | <b>E DIAMETER</b> | <b>F DIAMETER</b> |
|--|---|--|--------------|---|-------------------|-------------------|
| <p><b>MMS</b><br/>With Fixed (026, 027) Guides</p> <p>0.520 [13.21]<br/>0.230 [5.84]<br/>2-56 UNC-2A Thread Typ.<br/>0.140 [3.56]<br/>0.030 [0.762] Wide x 0.040 [1.02] Deep Slot Typ.<br/>0.110 [2.79]<br/>0.034 [0.864] Dia. Solder Cup #22 or #24 AWG Max.<br/>F Dia.</p> | <p><b>MMP</b><br/>With Fixed (026, 027) Guides</p> <p>0.490 [12.45]<br/>0.230 [5.84]<br/>"A" End of Connector<br/>0.140 [3.56]<br/>E Dia.</p>   | 026  | 0.078 [1.98] | 0.125 [3.17]  |                   |                   |
|  |   | 026L   | 0.078 [1.98] | 0.125 [3.17]  |                   |                   |
|  |   | 027  | 0.078 [1.98] | 0.125 [3.17]  |                   |                   |
|  |   | 027L   | 0.078 [1.98] | 0.125 [3.17]  |                   |                   |
| <p><b>MMS</b><br/>With Fixed (026L, 027L) Guides</p> <p>0.620 [15.75]<br/>0.230 [5.84]<br/>0.140 [3.56]<br/>0.040 [1.02] Typ.<br/>0.034 [0.864] Dia. Solder Cup #22 or #24 AWG Max.<br/>0.030 [0.762] Typ.<br/>0.110 [2.79]</p>  | <p><b>MMP</b><br/>With Fixed (026L, 027L) Guides</p> <p>"A" End of Connector<br/>0.590 [14.99]<br/>0.250 [6.35]<br/>2-56 UNC-2A Typ.</p>  | <p><b>Short Turnable Screwlocks (SK030)</b></p> <p>0.540 [13.72]<br/>0.160 [4.06]<br/>0.030 [0.762] Wide x 0.040 [1.02] Deep Typ.<br/>0.124 [3.15] Dia.<br/>0.110 [2.79]<br/>0.500 [12.70]</p> |              | <p><b>Turnable Screwlocks (SK)</b></p> <p>0.950 [24.13]<br/>0.046 [1.17] Wide x 0.062 [1.57] Deep Typ.<br/>0.187 [4.75] Dia.<br/>0.110 [2.79]<br/>0.910 [23.11]</p>                                     |                   |                   |
| <p><b>Fixed Screwlocks (SL)</b></p> <p>0.490 [12.45]<br/>0.140 [3.56]<br/>0.520 [13.21]</p>  | <p><b>Fixed Screwlocks (SLL)</b></p> <p>0.620 [15.75]<br/>0.230 [5.84]<br/>0.140 [3.56]<br/>0.034 [0.864] Dia. Solder Cup #22 or #24 AWG Max.<br/>0.250 [6.35]<br/>0.590 [14.99]<br/>0.110 [2.79]</p> | <p><b>Fixed Screwlocks And Nylon Retaining Nut And Fiber Washer (NSL)</b></p> <p>0.590 [14.99]<br/>0.620 [15.75]</p>   |              | <p><b>Short Turnable Screwlocks (SK2035)</b></p> <p>0.610 [15.49]<br/>0.240 [6.10] Typ.<br/>0.093 [2.36] Hex Socket 0.090 [2.29] Deep Typ.<br/>0.180 [4.57] Dia.<br/>0.110 [2.79]<br/>0.580 [14.73]</p> |                   |                   |

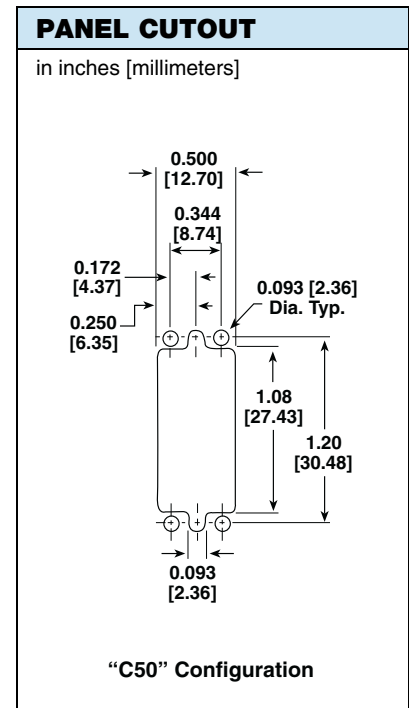
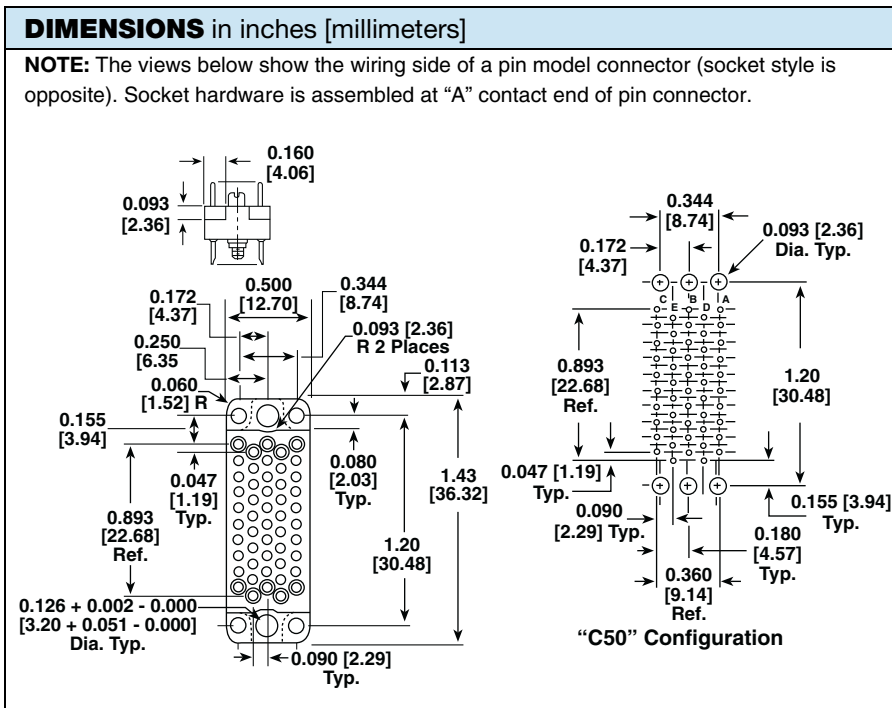
| HARDWARE MATING CHART |                           | <p><b>NOTE:</b><br/>EITHER MMP OR MMS CONNECTORS MAY BE ORDERED WITH ANY TYPE OF HARDWARE SHOWN.</p> <p><b>EXAMPLES:</b></p> <ol style="list-style-type: none"> <li>1. MMP WITH 026 HARDWARE WOULD MATE WITH AN MMS WITH 026 HARDWARE.</li> <li>2. MMS WITH SK HARDWARE WOULD MATE WITH AN MMP WITH SL OR NSL HARDWARE.</li> <li>3. MMS WITH SL2 HARDWARE WOULD MATE WITH AN MMP WITH SK2 OR SK2030 HARDWARE.</li> </ol> |
|-----------------------|---------------------------|--|
| HARDWARE MODEL        | MATES WITH HARDWARE MODEL |  |
| 026                   | 026, 026L                 |  |
| 027                   | 027, 027L                 |  |
| SK                    | SL, NSL or SLL            |  |
| SK030                 | SL, NSL or SLL            |  |
| SK2                   | SL2, NSL2 or SL2L         |  |
| SK2030                | SL2, NSL2 or SL2L         |  |
| SK2035                | SL2, NSL2 or SL2L         |  |



**MOUNTING VARIATIONS** in inches [millimeters]



| PANEL CUTOUT in inches [millimeters] |                    |                 |                  |                  |                    |                 |                  |                  |
|--------------------------------------|--------------------|-----------------|------------------|------------------|--------------------|-----------------|------------------|------------------|
|                                      | NUMBER OF CONTACTS | A               | B                | C                | NUMBER OF CONTACTS | A               | B                | C                |
|                                      | 5                  | 0.210<br>[5.33] | 0.468<br>[11.89] | 0.340<br>[8.64]  | 20                 | 0.270<br>[6.86] | 0.814<br>[20.68] | 0.690<br>[17.53] |
|                                      | 7                  | 0.210<br>[5.33] | 0.562<br>[14.27] | 0.440<br>[11.18] | 26                 | 0.270<br>[6.86] | 1.0<br>[25.40]   | 0.870<br>[22.10] |
|                                      | 9                  | 0.210<br>[5.33] | 0.656<br>[16.66] | 0.530<br>[13.46] | 29                 | 0.270<br>[6.86] | 1.09<br>[27.69]  | 0.970<br>[24.64] |
|                                      | 11                 | 0.270<br>[6.86] | 0.532<br>[13.51] | 0.410<br>[10.41] | 34                 | 0.380<br>[9.65] | 1.03<br>[26.16]  | 0.910<br>[23.11] |
|                                      | 14                 | 0.270<br>[6.86] | 0.625<br>[15.88] | 0.500<br>[12.70] | 44                 | 0.380<br>[9.65] | 1.28<br>[32.51]  | 1.16<br>[29.46]  |
|                                      | 18                 | 0.380<br>[9.65] | 0.656<br>[16.66] | 0.530<br>[13.46] | 50                 | 0.380<br>[9.65] | 1.41<br>[35.81]  | 1.28<br>[32.51]  |

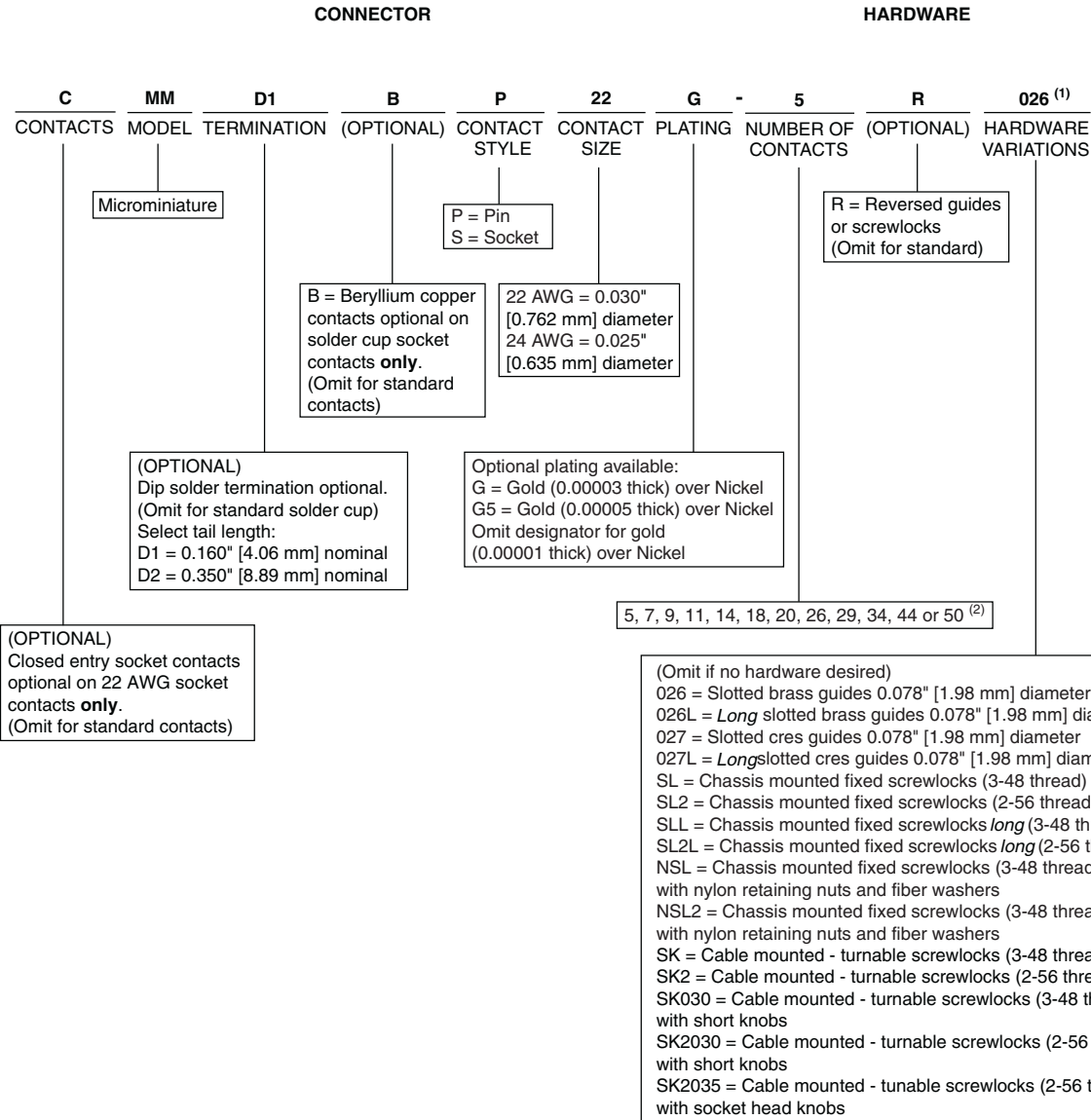


**DIP SOLDER PC BOARD MOUNTING PATTERNS**

Male (MMP) connector shown - female is opposite. Contact, contact row and mating hole  $C_L$  to  $C_L$  dimensions also applies to solder cup style connectors.



ORDERING INFORMATION



Notes

- (1) To order complete connector with hardware supplied unassembled, add suffix "UA" on end of hardware designation.
- (2) 50 contact connectors are available in either the standard 4-row contact arrangement per MIL-C-28748 or a special 5-row contact arrangement. To order the special 5-row contact arrangement, use the designator "C50" for the number of contacts.



## Disclaimer

ALL PRODUCT, PRODUCT SPECIFICATIONS AND DATA ARE SUBJECT TO CHANGE WITHOUT NOTICE TO IMPROVE RELIABILITY, FUNCTION OR DESIGN OR OTHERWISE.

Vishay Intertechnology, Inc., its affiliates, agents, and employees, and all persons acting on its or their behalf (collectively, "Vishay"), disclaim any and all liability for any errors, inaccuracies or incompleteness contained in any datasheet or in any other disclosure relating to any product.

Vishay makes no warranty, representation or guarantee regarding the suitability of the products for any particular purpose or the continuing production of any product. To the maximum extent permitted by applicable law, Vishay disclaims (i) any and all liability arising out of the application or use of any product, (ii) any and all liability, including without limitation special, consequential or incidental damages, and (iii) any and all implied warranties, including warranties of fitness for particular purpose, non-infringement and merchantability.

Statements regarding the suitability of products for certain types of applications are based on Vishay's knowledge of typical requirements that are often placed on Vishay products in generic applications. Such statements are not binding statements about the suitability of products for a particular application. It is the customer's responsibility to validate that a particular product with the properties described in the product specification is suitable for use in a particular application. Parameters provided in datasheets and/or specifications may vary in different applications and performance may vary over time. All operating parameters, including typical parameters, must be validated for each customer application by the customer's technical experts. Product specifications do not expand or otherwise modify Vishay's terms and conditions of purchase, including but not limited to the warranty expressed therein.

Except as expressly indicated in writing, Vishay products are not designed for use in medical, life-saving, or life-sustaining applications or for any other application in which the failure of the Vishay product could result in personal injury or death. Customers using or selling Vishay products not expressly indicated for use in such applications do so at their own risk. Please contact authorized Vishay personnel to obtain written terms and conditions regarding products designed for such applications.

No license, express or implied, by estoppel or otherwise, to any intellectual property rights is granted by this document or by any conduct of Vishay. Product names and markings noted herein may be trademarks of their respective owners.

## Material Category Policy

**Vishay Intertechnology, Inc. hereby certifies that all its products that are identified as RoHS-Compliant fulfill the definitions and restrictions defined under Directive 2011/65/EU of The European Parliament and of the Council of June 8, 2011 on the restriction of the use of certain hazardous substances in electrical and electronic equipment (EEE) - recast, unless otherwise specified as non-compliant.**

**Please note that some Vishay documentation may still make reference to RoHS Directive 2002/95/EC. We confirm that all the products identified as being compliant to Directive 2002/95/EC conform to Directive 2011/65/EU.**

**Vishay Intertechnology, Inc. hereby certifies that all its products that are identified as Halogen-Free follow Halogen-Free requirements as per JEDEC JS709A standards. Please note that some Vishay documentation may still make reference to the IEC 61249-2-21 definition. We confirm that all the products identified as being compliant to IEC 61249-2-21 conform to JEDEC JS709A standards.**