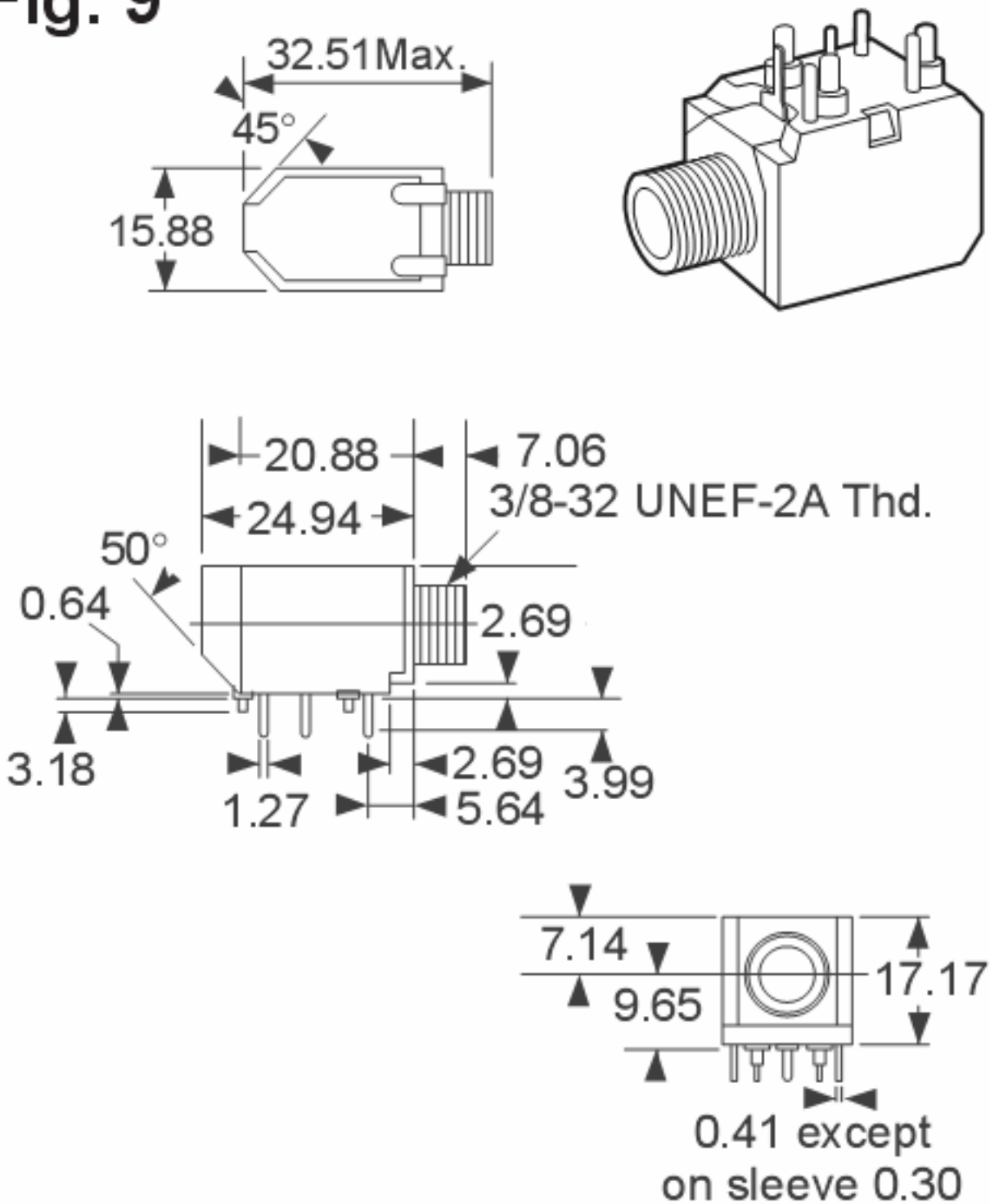
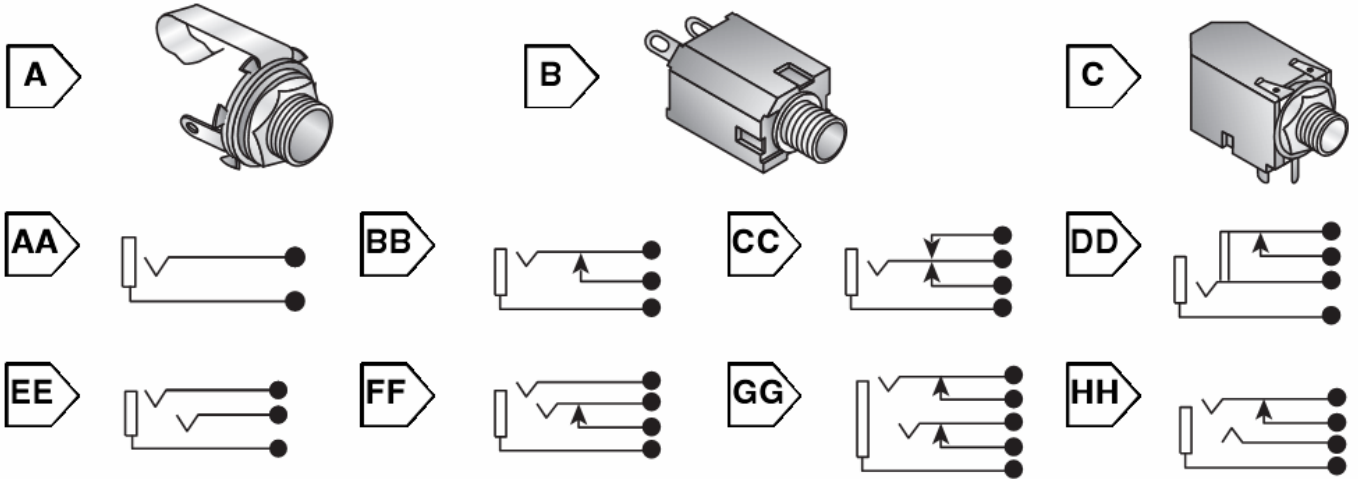


Fig. 9



9	A	Phone Jack Right Angle Single Open Circuit	SC1121-ND	1.92	14.40	33.00	RN111PC
	B	Phone Jack Right Angle Single Closed Circuit	SC1122-ND	2.20	16.50	37.75	RN112APC

1/4" PHONE JACKS



MOUSER STOCK NO.	Fig.	Ckt. Dia.	Typical Mating Type	Description	Price Each		
					1	10	25
502-112BPC	B	EE	267	Open tip, open ring	2.13	1.94	1.84
502-N112BPC	B	EE	267	Open tip, open ring, nylon bushing	3.21	2.92	2.77
502-113BPC	B	FF	267	Closed tip, open ring	3.48	3.16	3.00
502-N114BPC	B	GG	267	Closed tip, closed ring	3.32	3.02	2.87
* 502-RN112BPC	B	EE	267	Open tip, open ring, nylon bushing	2.00	1.82	1.73

www.DataSheetLIST.com

RA & RN Series 1/4" Right-Angle Phone Jacks



RN Series



RA Series



Mfr.'s Type	Schematic	Description	Mating Plug	Each
RA Series - 1/4" right-angle PC mount jack with bifurcated PC Terminals				
RA49B11	1	2-cond., open circuit, insulated bushing, .492" Ht. above board	250	2.25
RA49C14B	8	3-cond., double closed circuit, metal bushing, .492" Ht.	267	3.75
RA70B12B	3	3-cond., open circuit, insulated bushing, .708" Ht. off board.	267	2.75
RN Series - 1/4" right-angle PC mount jack that accepts commercial or MIL plugs				
RN112BPC	3	3-cond., double open circuit, insulated bushing, .375" Ht.	267	2.80

www.DataSheetLIST.com