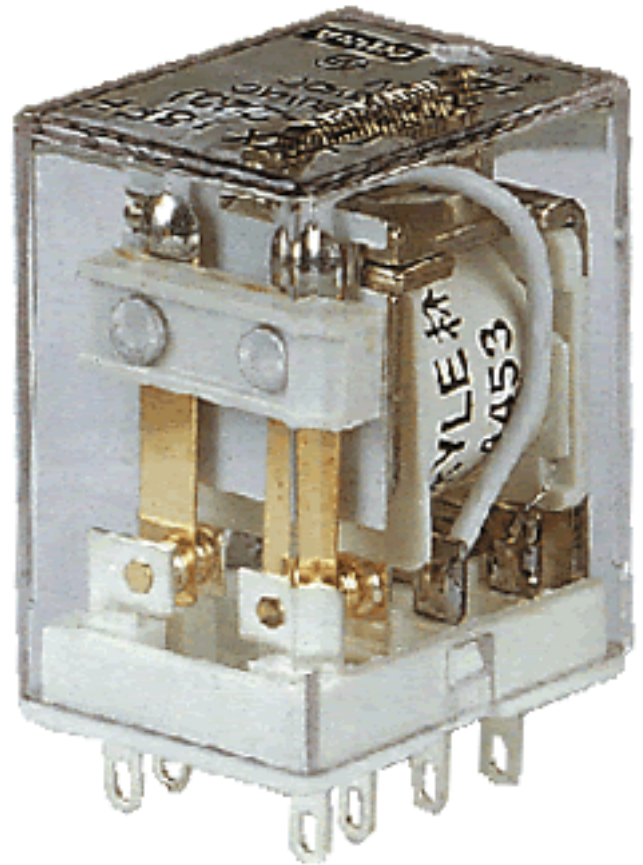


YL-440-2(HH52P) Electromechanical Relays with ISO9001 Certification μ UL: E233840**Key Specifications/Special Features:****Characteristics:**

Contact arrangement:	2C, 2A
Contact material:	AgCdO
Contact rating (resistive):	2C, 3C: 5A/220VAC, 30VDC Heavy load: 7A/220VAC, 30VDC
4C:	3A/220VAC, 30VDC Heavy load: 5A/220VAC, 30VDC
Contact resistance:	50m
Max. switching power:	1250VA, 150W
Max. switching voltage:	150VDC, 380VAC
Operate time:	15ms max.
Release time:	8ms max.
Insulation resistance:	1000M ohm min. (at 500V DC)
Dielectric strength:	Between contacts 1000V, 50Hz Between contact and coil: 1500V, 50Hz
Shock operational:	10G
Vibration operational:	1.5mm double amplitude 10 to 50Hz
Ambient temperature:	-55 to 55 deg. C
Operating life:	Mechanical 20,000,000 times; 10,000,000 times (heavy load) Electrical 100,000 (at DC load and heavy load); 200,000 (5A/220VAC); 500,000 (3A/220VAC)
Weight:	37g approx.
Size (L x W x H mm):	28 x 21.5 x 35

**Coil data:**

Coil power consumption:	AC/1.2VA DC/0.9W
Rated voltage (VDC):	AC/6, 12, 24, 36, 48, 110,120, 220 DC/6, 12, 24, 36, 48, 110
Coil resistance (ohm +/- 10%):	AC/11.5, 46.0, 180.0, 370.0, 735.0, 3750.0, 4430.0, 12950.0 DC/40, 160, 650, 1500, 2600, 11000
Rated current (mA):	AC/183, 91, 46, 33, 24, 11, 9.2, 4.2 DC/150, 75, 36.9, 24.5, 18.5, 10
Must operate voltage (VDC max.) (80% of rated voltage):	AC/4.8, 9.6, 19.2, 28.8, 38.4, 88, 96, 176 DC/4.8, 9.6, 19.2, 28.8, 38.4, 88
Must release voltage (V min.):	AC (30% of rated voltage): 1.8, 3.6, 7.2, 10.8, 14.4, 33, 36, 66 DC (10% of rated voltage): 0.6, 1.2, 2.4, 3.6, 4.8, 11.0
Maximum voltage (V):	110 % of rated voltage

Primary Competitive Advantages:

Price ,Service, Prompt Delivery

Main Export Markets:

Worldwide

Payment Details:

Payment Terms: L/C or T/T

Delivery Details:

FOB Port: Ningbo

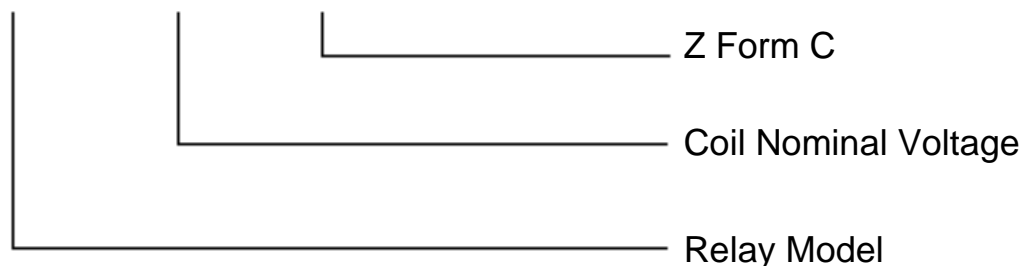
Lead Time: 20 days

Safety/Quality Approvals Details:

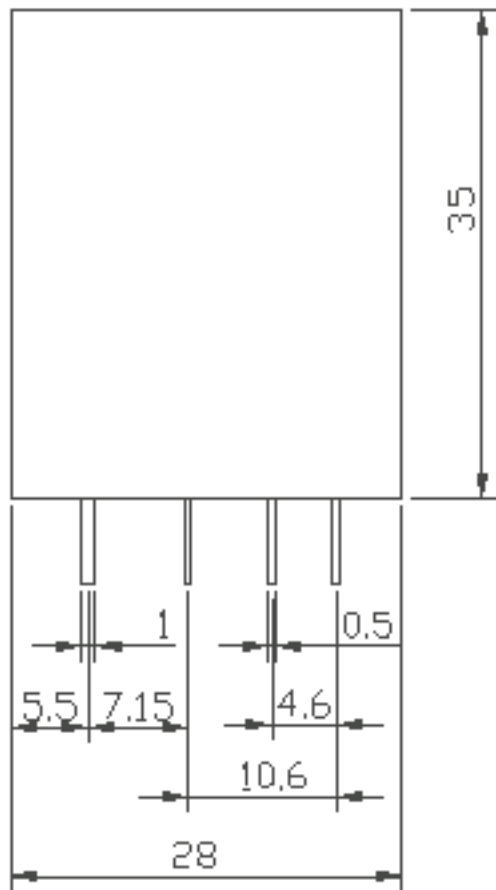
ISO9001

ORDERING CODE

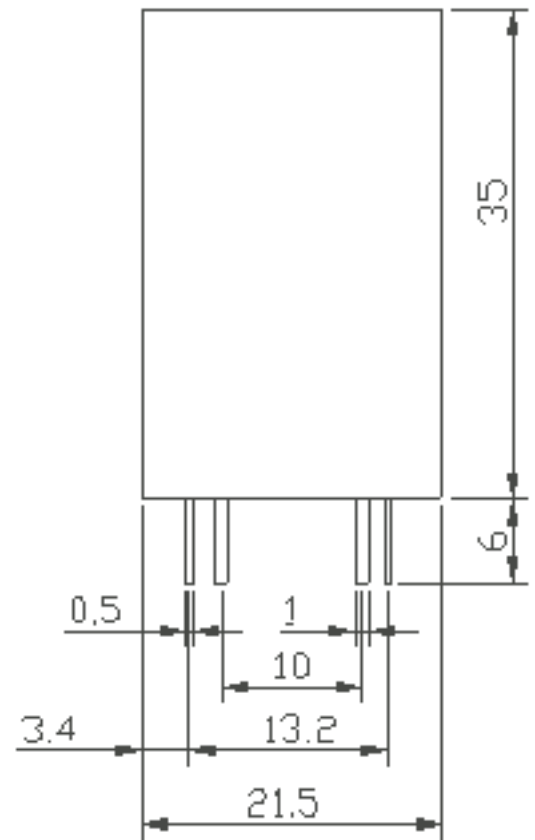
YL-220 12VDS_i^aZ



OVERALL AND MOUNTING DIMENSIONS



安装图



接线图

