

# KSC Series

## Sealed Tact Switch for SMT

### Features/Benefits

- Positive tactile feel
- Range of 6 actuation forces
- J or G terminations
- Tape & reel
- IP 67

### Typical Applications

- Automotive
- Cellular phones
- Industrial electronics
- Computer & network industry



### Specification

FUNCTION: momentary action  
CONTACT ARRANGEMENT: 1 make contact = SPST, N.O.  
TERMINALS: J bend & Gullwing type for SMT

### Mechanical

Type	Operating force FA <sup>1)</sup> Newtons (grams)	Operating life (operations)	Travel
KSC121J	1.6 (160)	200,000	0,25+0,40/-0,0
KSC141J	3.0 (300)	200,000	0,30+0,40/-0,0
KSC151J	5.5 (550)	100,000	0,30+0,40/-0,0
KSC221J	2.0 (200)	500,000	0,35+0,30/-0,10
KSC241J	3.5 (350)	300,000	0,40+0,40/-0,10
KSC321J	1.6 (160)	500,000	0,20+0,30/-0,0
KSC341J	3.0 (300)	300,000	0,20+0,30/-0,0
KSC351J	5.5 (550)	100,000	0,25+0,30-0,0
KSC401J*	1.1 (110)	5,000,000	0,50+0,25/-0,25
KSC411J*	1.4 (140)	1,000,000	0,35+0,2/-0,2
KSC421J*	1.7 (170)	1,000,000	0,50+0,25/-0,25
KSC441J*	3.2 (320)	300,000	0,75+0,25/-0,25
KSC621J	1.6 (160)	500,000	0,20+0,35
KSC641J	3.0 (300)	300,000	0,20+0,30
KSC421V	1.7 (170)	1,000,000	0,50+0,25/-0,25

<sup>1)</sup> Tolerances of operating force FA is  $\pm 25\%$ .

\* NOTE: KSC4 standard silicone material is 70 shore, the only exception is KSC401J which is 50 shore.

NOTE: Part numbers listed above do not represent all possible configurations. For information on specific and custom switches, consult Customer Service Center.

### Electrical

MAXIMUM POWER:	Silver 1 VA	Gold 0.2 VA
MAXIMUM VOLTAGE:	32 VDC	32 VDC
MINIMUM VOLTAGE:	20 mV	20 mV
MAXIMUM CURRENT:	50 mA	10 mA
MINIMUM CURRENT:	1 mA	1 mA

DIELECTRIC STRENGTH (50 Hz, 1 min.): 250 V  
CONTACT RESISTANCE: < 100 mΩ  
INSULATION RESISTANCE (100 V): > 10<sup>9</sup> Ω  
BOUNCE TIME: < 1 ms

### Environmental

OPERATING TEMPERATURE:	Silver -40°C to 85°C	Gold -40°C to 125°C
STORAGE TEMPERATURE:	-55°C to 85°C	-55°C to 125°C

### Process

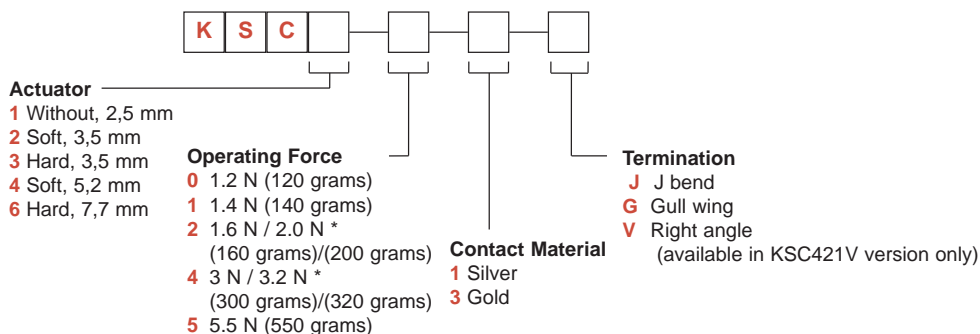
SOLDERING: Depending on the application, this component is suited to the following methods:  
- Terminals being Tin/Lead plated over a nickel barrier, the use of slightly activated flux is suitable.  
- Soldering on double wave machine. The bath temperature is generally 225°C $\pm$ 5°C and soldering time < 5 sec.  
- Cleaning according to typical washing processes.  
- Infrared Reflow Soldering in accordance with CECC00802

### Packaging

KSC1, KSC2 and KSC3 are delivered on continuous tape and reels of 2,000 pieces, KSC4 in reels of 1,000 pieces. KSC 6 in reels of 750 pieces. KSCV in boxes of 500 pieces. Dimensions of reels according to EIA RS481 or IEC 2863. External diameter 330 mm  $\pm$  2 mm.

### How To Order

Our easy build-a-switch concept allows you to mix and match options to create the switch you need. To order, select desired option from each category and place it in the appropriate box.

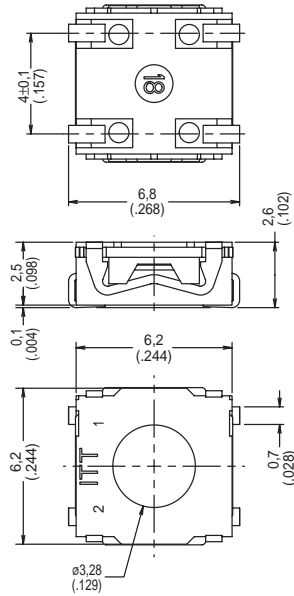


\* See Mechanical chart above to confirm specifications

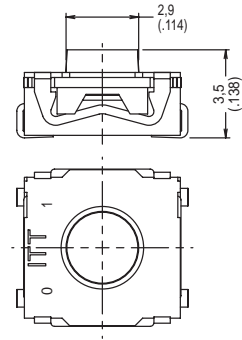
# KSC Series Sealed Tact Switch for SMT

## ACTUATOR

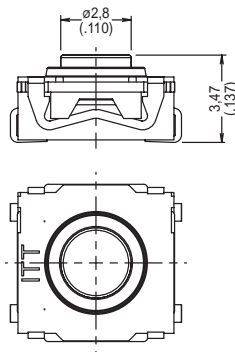
**KSC1** WITHOUT, 2.5 mm high



**KSC2** SOFT, 3.5 mm high

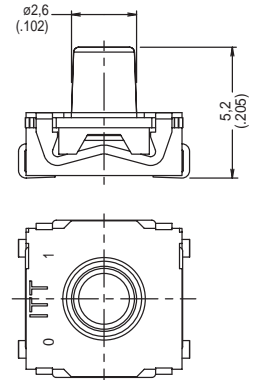


**KSC3** HARD, 3.5 mm high

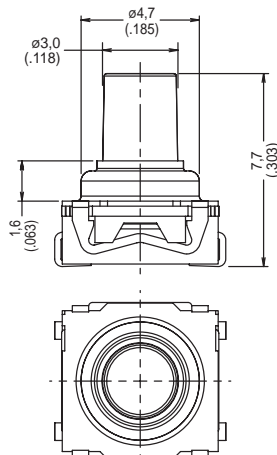


**KSC4** SOFT, 5.2 mm high

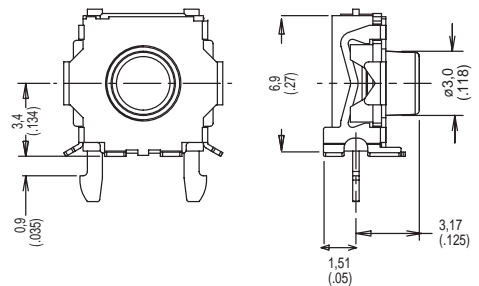
NOTE: KSC4 standard silicone material is 70 shore, the only exception is KSC401J which is 50 shore.



**KSC6** HARD, 7.7 mm high



**KSC4** KSC421V only



# KSC Series Sealed Tact Switch for SMT

## OPERATING FORCE

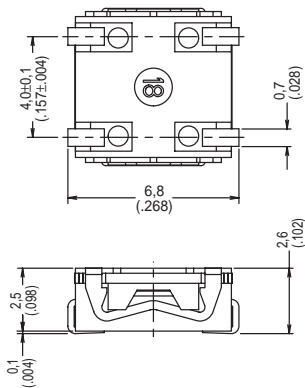
OPTION CODE	OPERATING FORCE
0	1.2 N (120 grams)
1	1.4 N (140 grams)
2	1.6 N / 2.0 N (160/200 grams)
4	3 N / 3.2 N (300/320 grams)
5	5.5 N (550 grams)

## CONTACT MATERIAL

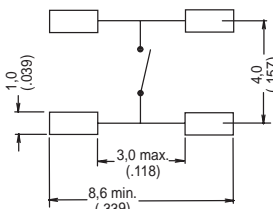
OPTION CODE	MATERIAL
1	SILVER
3	GOLD

## TERMINATION

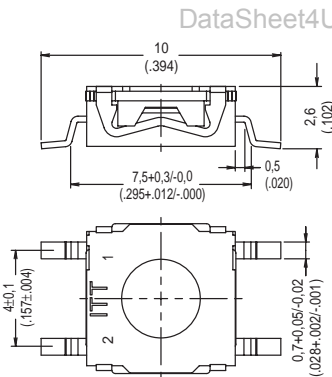
### J BEND



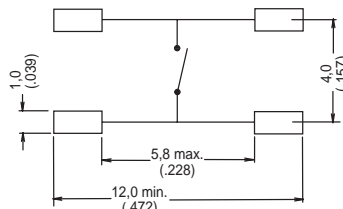
PAD LAYOUT



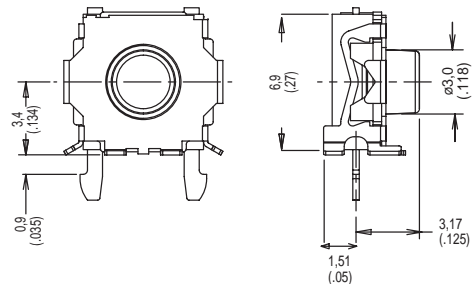
### G GULLWING



PAD LAYOUT



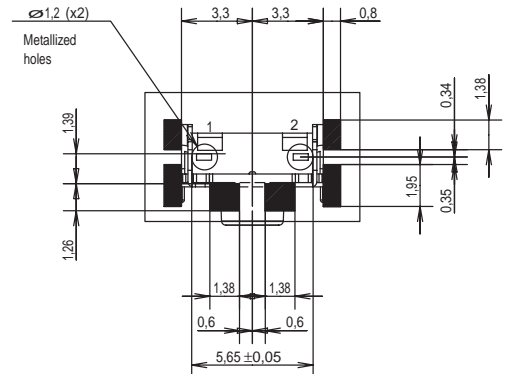
### V RIGHT ANGLE - KSC421V only



PAD LAYOUT



LAYOUT



www.DataSheet4U.com



First Angle  
Projection

Dimensions are shown: mm (inch)  
Dimensions subject to change

Tactile Switches

et4U.com

DataSheet

DataSheet4U.com

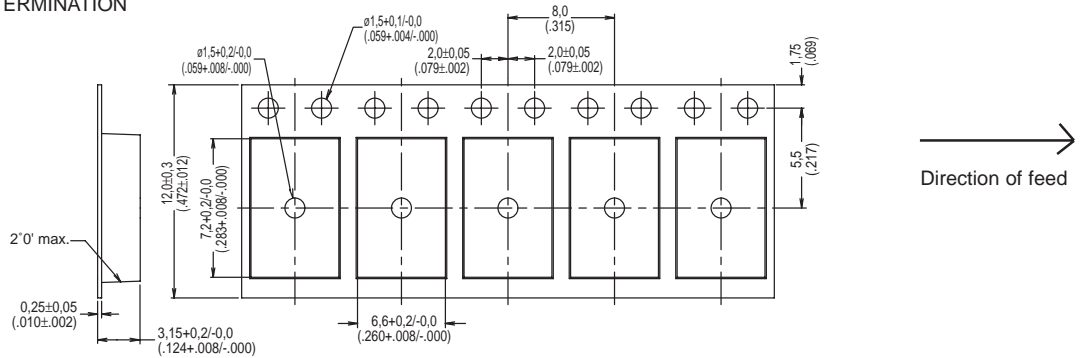


ITT Industries

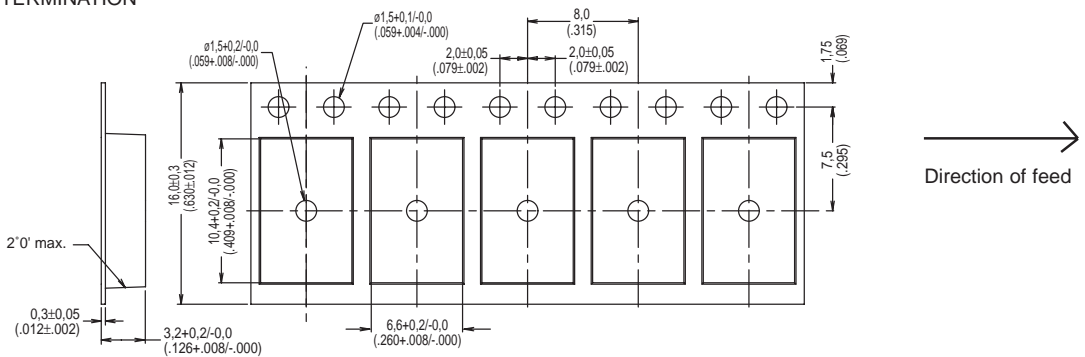
Cannon

## TAPE & REEL

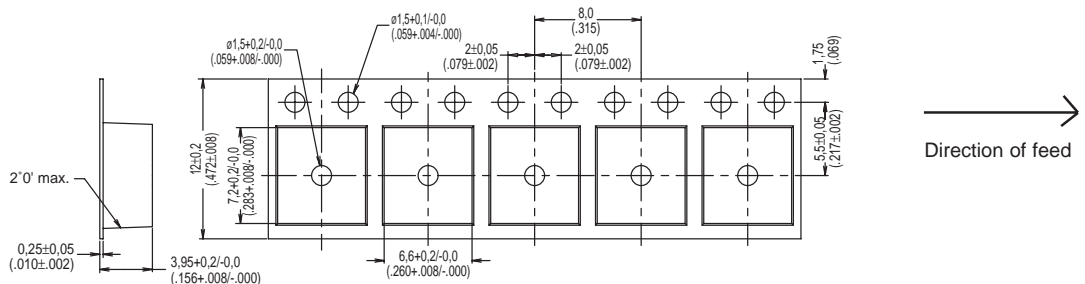
FOR KSC1 J TERMINATION



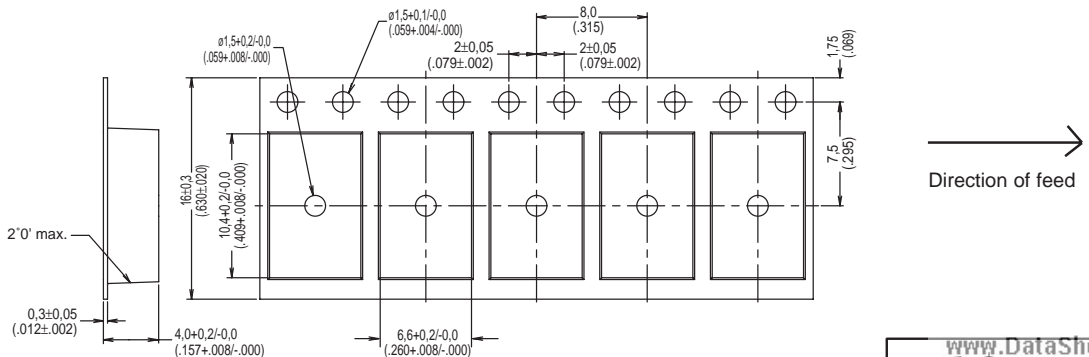
FOR KSC1 G TERMINATION



FOR KSC2 & KSC3 J TERMINATION



FOR KSC2 & KSC3 G TERMINATION



B  
Tactile Switches

DataSheet4U.com

DataSheet4U.com

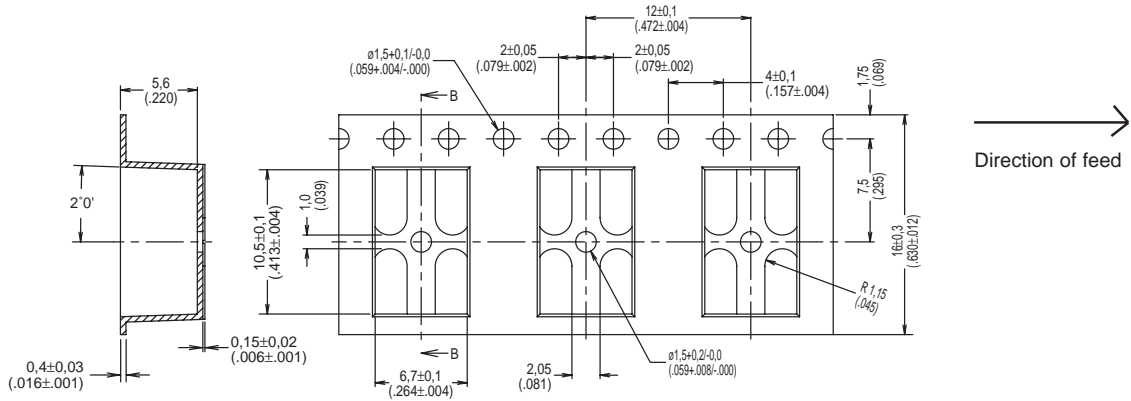
DataSheet4U.com



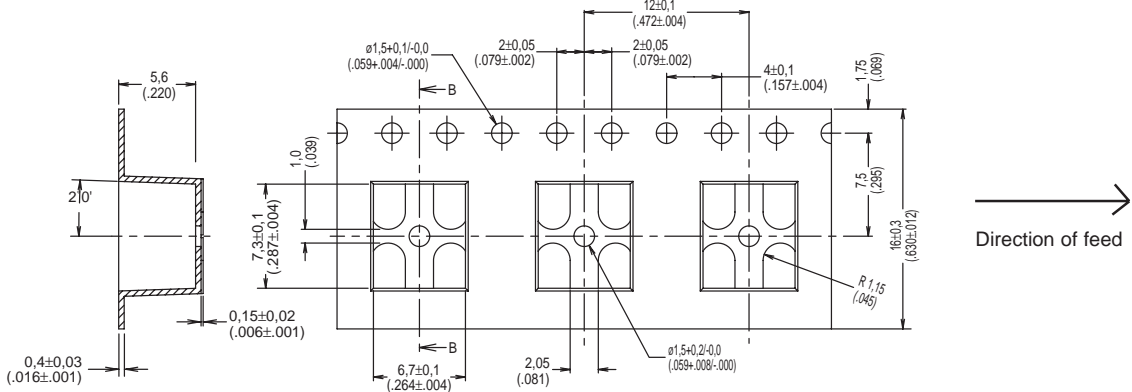
# KSC Series Sealed Tact Switch for SMT

## TAPE & REEL

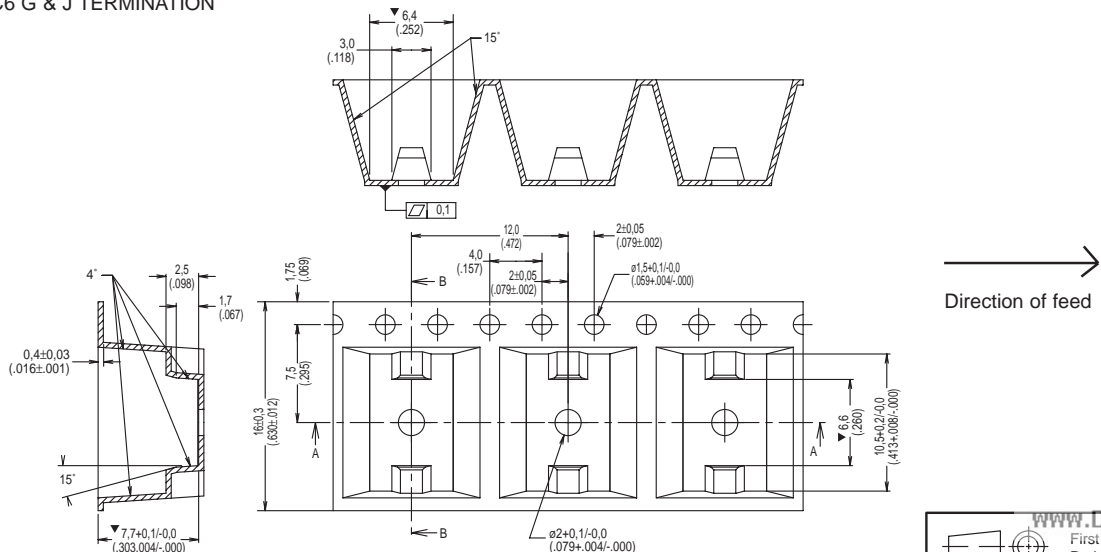
FOR KSC4 FOR G TERMINATION



FOR KSC4 FOR J TERMINATION



FOR KSC6 G & J TERMINATION



Tactile Switches

www.DataSheet4U.com

DataSheet4U



Cannon



Dimensions are shown: mm (inch)  
Dimensions subject to change