



## Features

- Available in E6 series
- Low unit height of 3.3 mm
- High current
- RoHS compliant\*

## Applications

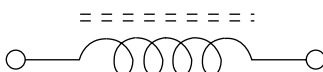
- Input/output of DC/DC converters
- Power supplies for:
  - Portable communication equipment
  - Camcorders
  - LCD TVs
  - Car radios

# SRR0603 Series - Shielded Power Inductors

## Electrical Specifications

Bourns Part No.	Inductance 1kHz		Q Ref.	Test Frequency (MHz)	SRF Min. (MHz)	RDC ( $\Omega$ )	I rms Max. (A)	I sat Typ. (A)
	( $\mu$ H)	Tol. %						
SRR0603-1R5ML	1.5	$\pm 20$	20	7.96	95.0	0.032	2.20	3.50
SRR0603-2R5ML	2.5	$\pm 20$	19	7.96	90.0	0.040	2.00	2.95
SRR0603-3R3ML	3.3	$\pm 20$	16	7.96	85.0	0.055	1.80	2.60
SRR0603-4R7ML	4.7	$\pm 20$	13	7.96	45.0	0.070	1.60	2.20
SRR0603-6R8ML	6.8	$\pm 20$	13	7.96	32.0	0.100	1.20	1.75
SRR0603-100ML	10	$\pm 20$	16	2.52	25.0	0.12	1.10	1.50
SRR0603-150ML	15	$\pm 20$	16	2.52	25.0	0.18	0.90	1.20
SRR0603-220ML	22	$\pm 15$	16	2.52	20.0	0.27	0.70	1.05
SRR0603-330KL	33	$\pm 10$	15	2.52	16.0	0.43	0.60	0.83
SRR0603-470KL	47	$\pm 10$	13	2.52	13.0	0.55	0.50	0.73
SRR0603-680KL	68	$\pm 10$	11	2.52	10.0	0.90	0.40	0.53
SRR0603-101KL	100	$\pm 10$	22	0.796	9.0	1.50	0.30	0.44
SRR0603-151KL	150	$\pm 10$	22	0.796	8.0	1.90	0.25	0.39
SRR0603-221KL	220	$\pm 10$	20	0.796	5.0	2.70	0.20	0.31
SRR0603-331KL	330	$\pm 10$	18	0.796	4.5	4.20	0.18	0.24
SRR0603-471KL	470	$\pm 10$	17	0.796	4.0	6.70	0.15	0.19
SRR0603-681KL	680	$\pm 10$	13	0.796	3.5	10.50	0.12	0.15
SRR0603-102KL	1000	$\pm 10$	20	0.252	3.0	14.00	0.10	0.13

## Electrical Schematic



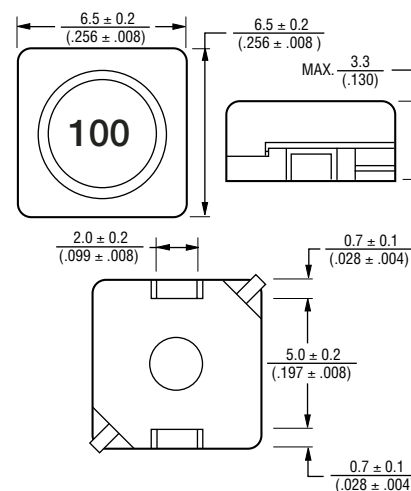
## General Specifications

Test Voltage ..... 1 Volt  
 Reflow Soldering ..... 230 °C; 50 sec max.  
 Operating Temperature .. -40 °C to +125 °C  
 (Temperature rise included)  
 Storage Temperature .. -40 °C to +125 °C  
 Resistance to Soldering Heat  
 ..... 260 °C for 5 sec.

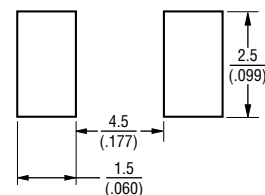
## Materials

Core Material ..... Ferrite DR & RI  
 Wire ..... Enamelled Copper  
 Base ..... LCP E4008  
 Terminal ..... Cu/Ni/Sn  
 Rated Current ... Ind. drop 10 % typ at I sat  
 Temperature Rise .40 °C max at rated I rms  
 Packaging ..... 1000 pcs. per reel

## Product Dimensions



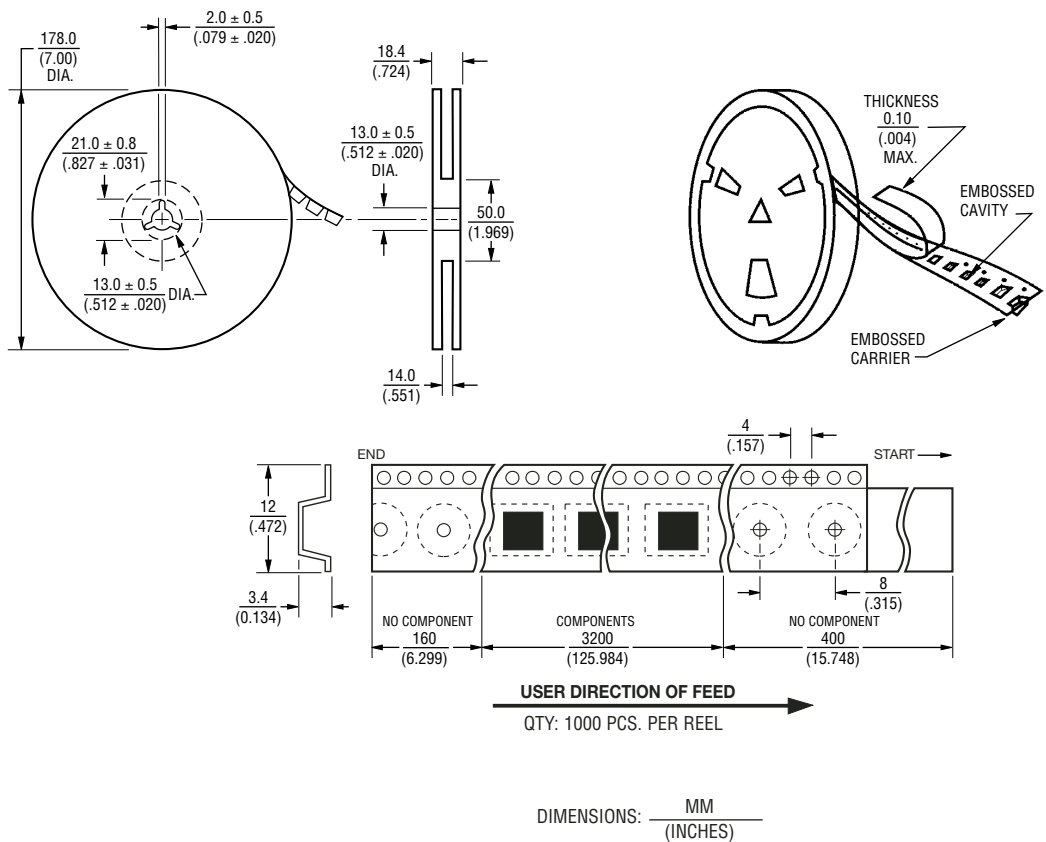
## Recommended Layout



DIMENSIONS:  $\frac{\text{MM}}{\text{(INCHES)}}$

# SRR0603 Series - Shielded Power Inductors **BOURNS®**

## Packaging Specifications



REV. 05/05  
 Specifications are subject to change without notice.  
 Customers should verify actual device performance in their specific applications.