

FAN4010 High-Side Current Sensor

Features at +5V

- Low cost, accurate, high-side current sensing
- Output voltage scaling
- Up to 2.5V sense voltage
- 2V to 6V supply range
- 2µA typical offset current
- 3.5µA quiescent current
- -0.2% accuracy
- SOT23-5 package
- 6-lead MicroPak™ future package option

Applications

- Battery chargers
- Smart battery packs
- DC motor control
- Over-current monitor
- Power management
- Programmable current source

Description

The FAN4010 is a high-side current sense amplifier designed for battery-powered systems. Using the FAN4010 for high-side power-line monitoring does not interfere with the battery charger's ground path. The FAN4010 is designed for portable PC's, cellular phones, and other portable systems where battery/DC power-line monitoring is critical.

To provide a high level of flexibility, the FAN4010 functions with an external sense resistor to set the range of load current to be monitored. It has a current output that can be converted to a ground-referred voltage with a single resistor, accommodating a wide range of battery voltages and currents. The FAN4010 features allow it to be used for gas gauging as well as uni-directional or bi-directional current monitoring.

www.DataSheet4U.com

Functional Block Diagram and Typical Circuit

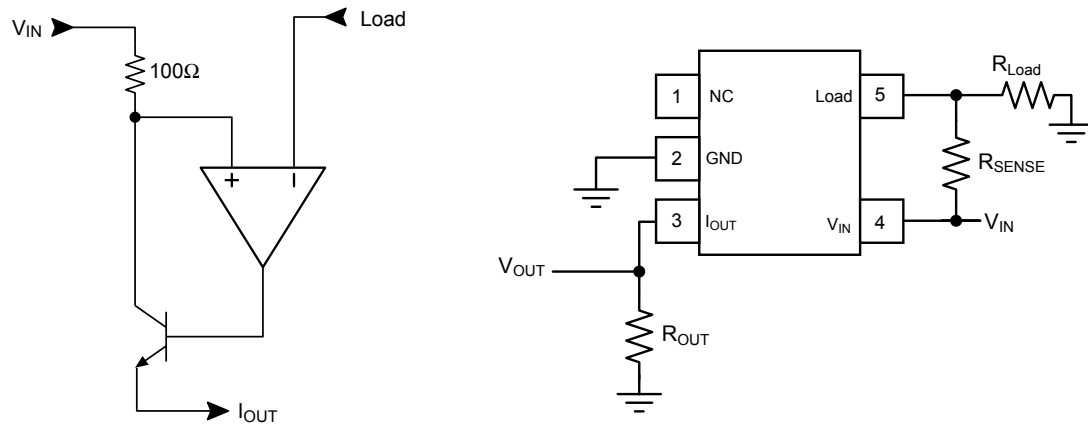


Figure 1. Functional Block Diagram and Typical Circuit

Ordering Information

Part Number	Package	Pb-Free	Operating Temperature Range	Packaging Method
FAN4010IS5X	SOT23-5	Yes	-40°C to +85°C	Reel
FAN4010IL6X*	MicroPak-6	Yes	-40°C to +85°C	Reel

Moisture sensitivity level for all parts is MSL-1.
MicroPak™ is a trademark of Fairchild Semiconductor Corporation.
*Future package option.

Pin Configurations

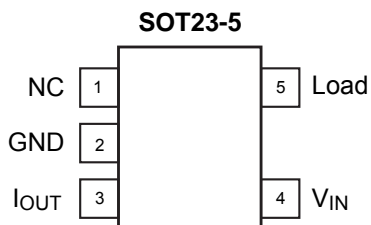


Figure 2. SOT23-5 Pin Configuration

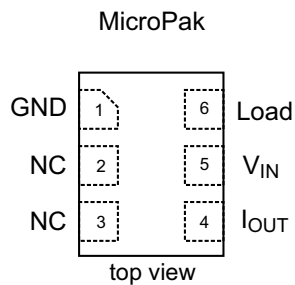


Figure 3. MicroPak™-5 Pin Configuration

Pin Assignments

SOT Pin #	MicroPak™ Pin #	Name	Description
1	2, 3	NC	No Connect; leave pin floating
2	1	GND	Ground
3	4	I _{OUT}	Output current, proportional to V _{IN} - V _{Load}
4	5	V _{IN}	Input voltage (supply voltage)
5	6	Load	Connection to load or battery

Absolute Maximum Ratings

Stresses exceeding the absolute maximum ratings may damage the device. The device may not function or be operable above the recommended operating conditions and stressing the parts to these levels is not recommended. In addition, extended exposure to stresses above the recommended operating conditions may affect device reliability. The absolute maximum ratings are stress ratings only.

Symbol	Parameter	Min.	Max.	Unit
V_s	Supply Voltage	0	6.3	V
V_{IN}	Input Voltage Range	0	6.3	V

Reliability Information

Symbol	Parameter	Min.	Typ.	Max.	Unit
T_J	Junction Temperature			150	°C
T_{STG}	Storage Temperature Range	-65		150	°C
T_L	Reflow Temperature (Soldering)			260	°C
θ_{JA}	Package Thermal Resistance	MicroPak™-5	271		°C/W
		SOC23-5	191		°C/W

Note:

- Package thermal resistance (θ_{JA}), JEDEC standard, multi-layer test boards, still air.

ESD Protection

Symbol	Electrostatic Discharge Standard	Value
HBM	Human Body Model	5kV
CDM	Charged Device Model	1kV

Recommended Operating Conditions

The Recommended Operating Conditions table defines the conditions for actual device operation. Recommended operating conditions are specified to ensure optimal performance to the datasheet specifications. Fairchild does not recommend exceeding them or designing to absolute maximum ratings.

Symbol	Parameter	Min.	Typ.	Max.	Unit
T_A	Operating Temperature Range	-40		+85	°C
V_s	Supply Voltage Range	2		6	V
V_{IN}	Input Voltage Range	2		6	V
V_{SENSE}	Sensor Voltage Range, $V_{SENSE} = V_{IN} - V_{Load}$; $R_{OUT} = 0\Omega$	0		2.5	V

Electrical Characteristics at +5V

$T_A = 25^\circ\text{C}$, $V_s = V_{IN} = 5\text{V}$, $R_{OUT} = 100\Omega$, $R_{SENSE} = 100\Omega$, unless otherwise noted.

Symbol	Parameter	Conditions	Min.	Typ.	Max.	Units
Frequency Domain Response						
BW_{SS}	Small Signal Bandwidth	$P_{IN} = -40\text{dBm}^{(2)}$, $V_{SENSE} = 10\text{mV}$		600		kHz
BW_{LS}	Large Signal Bandwidth	$P_{IN} = -20\text{dBm}^{(3)}$, $V_{SENSE} = 100\text{mV}$		2		MHz
V_{IN}	Input Voltage Range	$V_{IN} = V_s$	2		6	V
I_{OUT}	Output Current ^(1,4)	$V_{SENSE} = 0\text{V}$	0	1	4	μA
		$V_{SENSE} = 10\text{mV}$	93	100	107	μA
		$V_{SENSE} = 100\text{mV}$	0.975	1.000	1.025	mA
		$V_{SENSE} = 200\text{mV}$	1.95	2.00	2.05	mA
		$V_{SENSE} = 1\text{V}$	9.7	10.0	10.3	mA
I_s	Supply Current ⁽¹⁾	$V_{SENSE} = 0\text{V}$, GND pin current		3.5	5.0	μA
I_{SENSE}	Load Pin Input Current			2		nA
A_{CY}	Accuracy	$R_{SENSE} = 100\Omega$, $R_{SENSE} = 200\text{mV}^{(1)}$	-2.5	-0.2	2.5	%
G_m	Transconductance	I_{OUT}/V_{SENSE}		10000		$\mu\text{A/V}$

Notes:

- 100% tested at 25°C .
- $-40\text{dBm} = 6.3\text{mV}_{pp}$ into 50Ω .
- $-20\text{dBm} = 63\text{mV}_{pp}$ into 50Ω .
- Includes input offset voltage contribution.

Typical Performance Characteristics

$T_A = 25^\circ\text{C}$, $V_s = V_{IN} = 5\text{V}$, $R_{OUT} = 100\Omega$, $R_{SENSE} = 100\Omega$, unless otherwise noted.

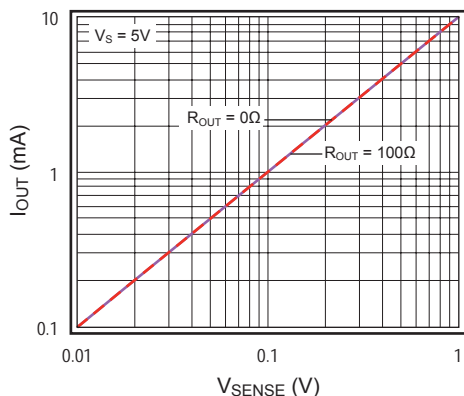


Figure 4. V_{SENSE} vs. Output Current

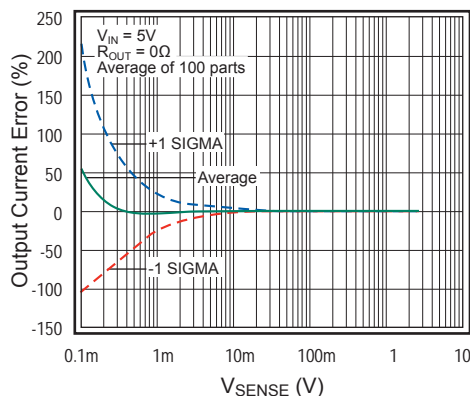


Figure 5. Output Current Error vs. V_{SENSE}

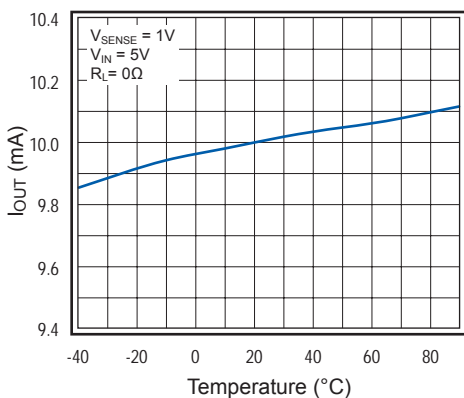


Figure 6. Output Current vs. Temperature

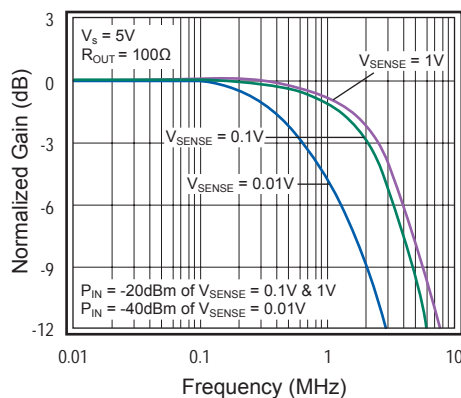


Figure 7. Frequency Response

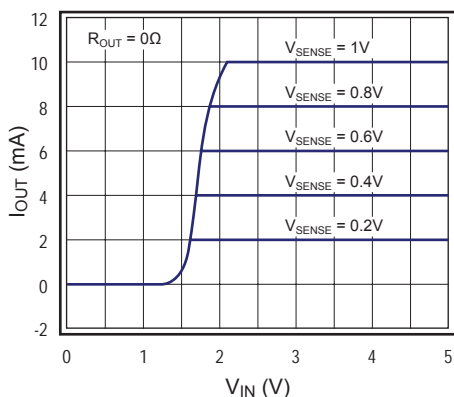


Figure 8. Transfer Characteristics

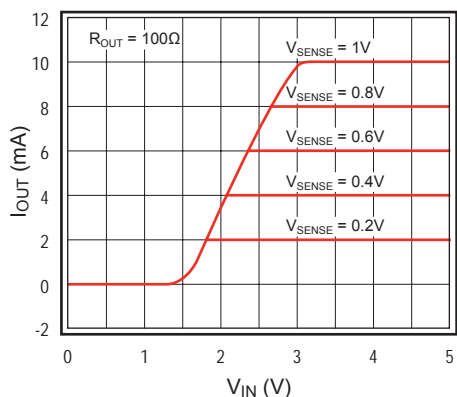


Figure 9. Transfer Characteristics

Typical Performance Characteristics (Continued)

$T_A = 25^\circ\text{C}$, $V_s = V_{IN} = 5\text{V}$, $R_{OUT} = 100\Omega$, $R_{SENSE} = 100\Omega$, unless otherwise noted.

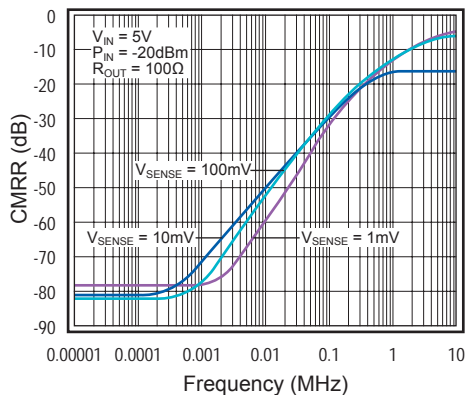


Figure 10. CMRR vs. Frequency

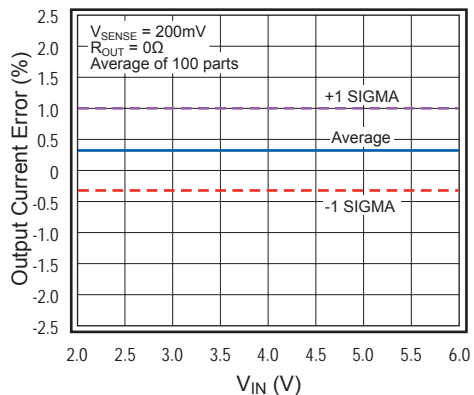


Figure 11. V_{IN} vs. Output Current Error

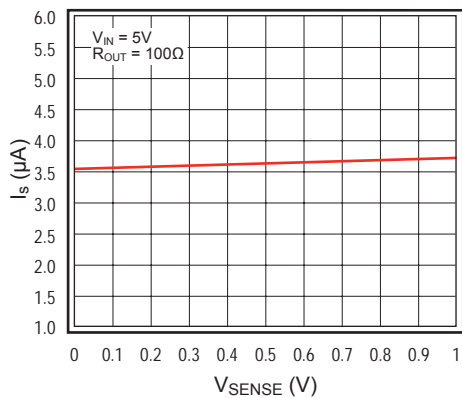


Figure 12. Supply Current vs. V_{SENSE}

Application Information

Detailed Description

The FAN4010 measures the voltage drop (V_{SENSE}) across an external sense resistor located in the high voltage side of the circuit. V_{SENSE} is converted to a linear current via an internal operational amplifier and precision 100Ω resistor. The value of this current is $V_{SENSE}/100\Omega$ (internal). Output current flows from the I_{OUT} pin to an external resistor R_{OUT} to generate an output voltage proportional to the current flowing to the load.

Use the following equations to scale a load current to an output voltage:

$$V_{SENSE} = I_{Load} * R_{SENSE} \quad \text{EQ.1}$$

$$V_{OUT} = 0.01 * V_{SENSE} * R_{OUT} \quad \text{EQ.2}$$

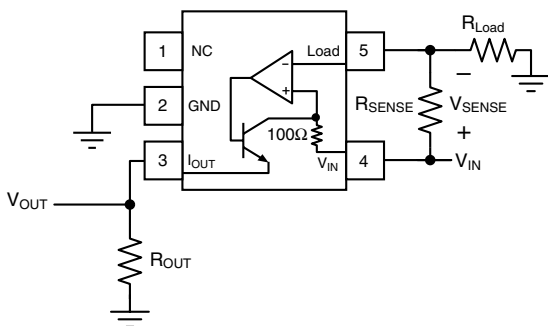


Figure 13. Functional Circuit

Selecting R_{SENSE}

Selection of R_{SENSE} is a balance between desired accuracy and allowable voltage loss. Although the FAN4010 is optimized for high accuracy with low V_{SENSE} values, a larger R_{SENSE} value provides additional accuracy. However, larger values of R_{SENSE} create a larger voltage drop, reducing the effective voltage available to the load. This can be troublesome in low-voltage applications. Because of this, the maximum expected load current and allowable load voltage should be well understood. Although higher values of V_{SENSE} can be used, R_{SENSE} should be chosen to satisfy the following condition:

$$10\text{mV} < V_{SENSE} < 200\text{mV} \quad \text{EQ. 3}$$

For low-cost applications where accuracy is not as important, a portion of the printed circuit board (PCB) trace can be used as an R_{SENSE} resistor. Figure 14 shows an example of this configuration. The resistivity of a 0.1 inch wide trace of two-ounce copper is about $30\text{m}\Omega/\text{ft}$. Unfortunately, the resistance temperature coefficient is relatively large (approximately $0.4\% / \text{C}$), so systems with a wide temperature range may need

to compensate for this effect. Additionally, self heating due to load currents introduces a nonlinearity error. Care must be taken not to exceed the maximum power dissipation of the copper trace.

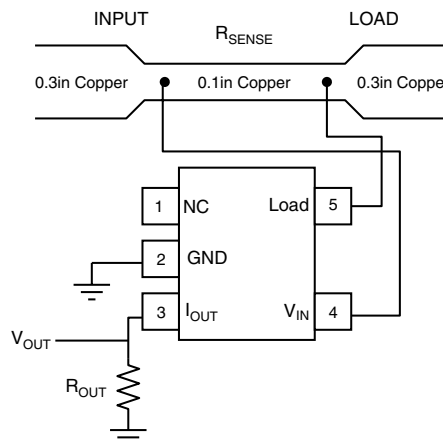


Figure 14. Using PCB Trace for R_{SENSE}

Selecting R_{OUT}

R_{OUT} can be chosen to obtain the output voltage range required for the particular downstream application. For example, if the output of the FAN4010 is intended to drive an analog-to-digital convertor (ADC), R_{OUT} should be chosen such that the expected full-scale output current produces an input voltage that matches the input range of the ADC. For instance, if expected loading current ranges from 0 to 1A, a R_{SENSE} resistor of 1Ω produces an output current that ranges from 0 to 10mA. If the input voltage range of the ADC is 0 to 2V, a R_{OUT} value of 200Ω should be used.

The input voltage and full-scale output current (I_{OUT_FS}) needs to be taken into account when setting up the output range. To ensure sufficient operating headroom, choose:

$$(R_{OUT} * I_{OUT_FS}) \text{ such that } V_{IN} - V_{SENSE} - (R_{OUT} * I_{OUT_FS}) > 1.2\text{V} \quad \text{EQ. 4}$$

Output current accuracy for the recommended V_{SENSE} levels between 10mV and 200mV are typically much better than 1%. As a result, the absolute output voltage accuracy is dependent upon the precision of the output resistor.

Make sure the input impedance of the circuit connected to V_{OUT} is much higher than R_{OUT} to ensure accurate V_{OUT} values.

Since the FAN4010 provides a trans-impedance function, it is ideal for applications involving current rather than voltage sensing.

Mechanical Dimensions

Dimensions are in millimeters unless otherwise noted.

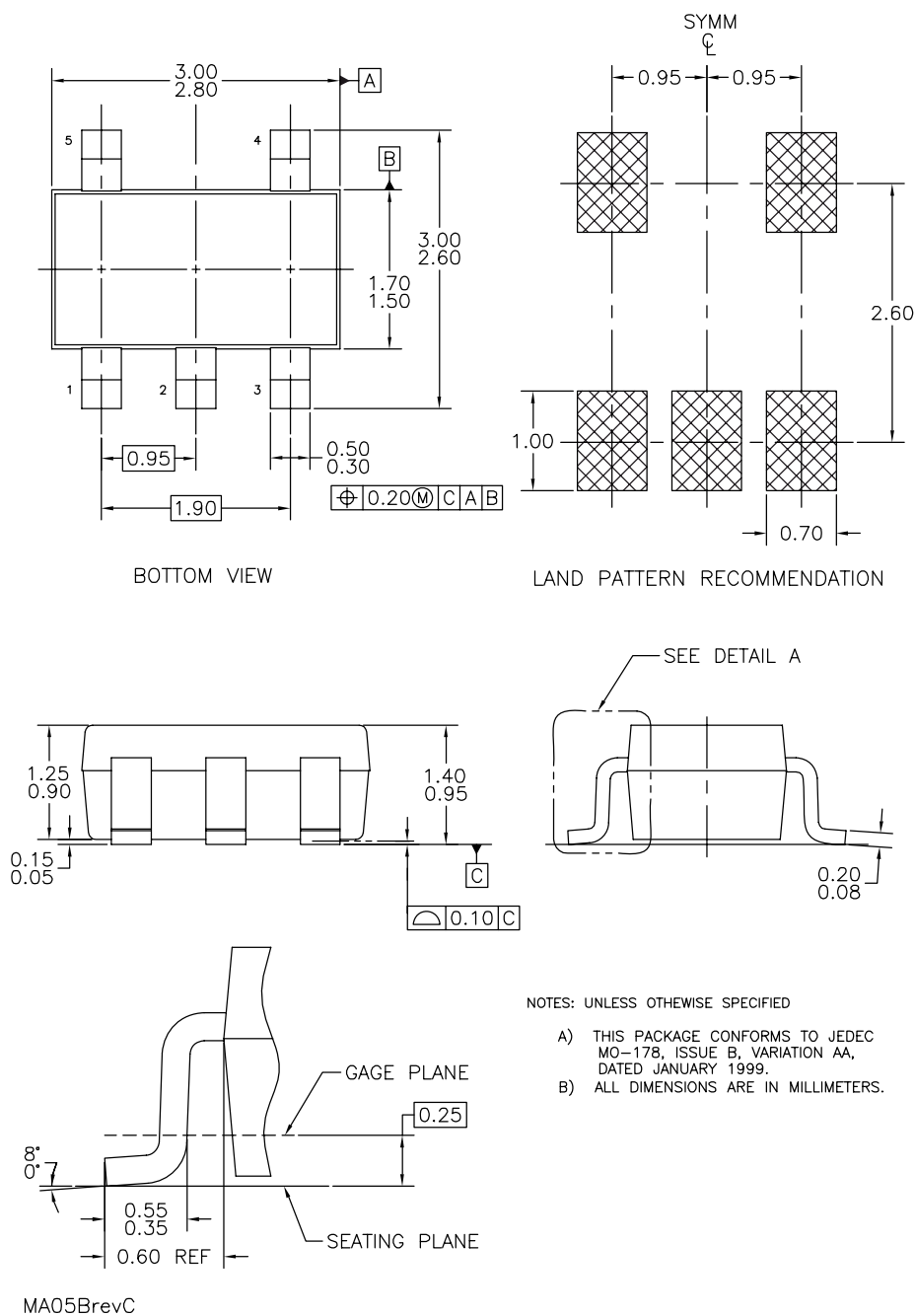
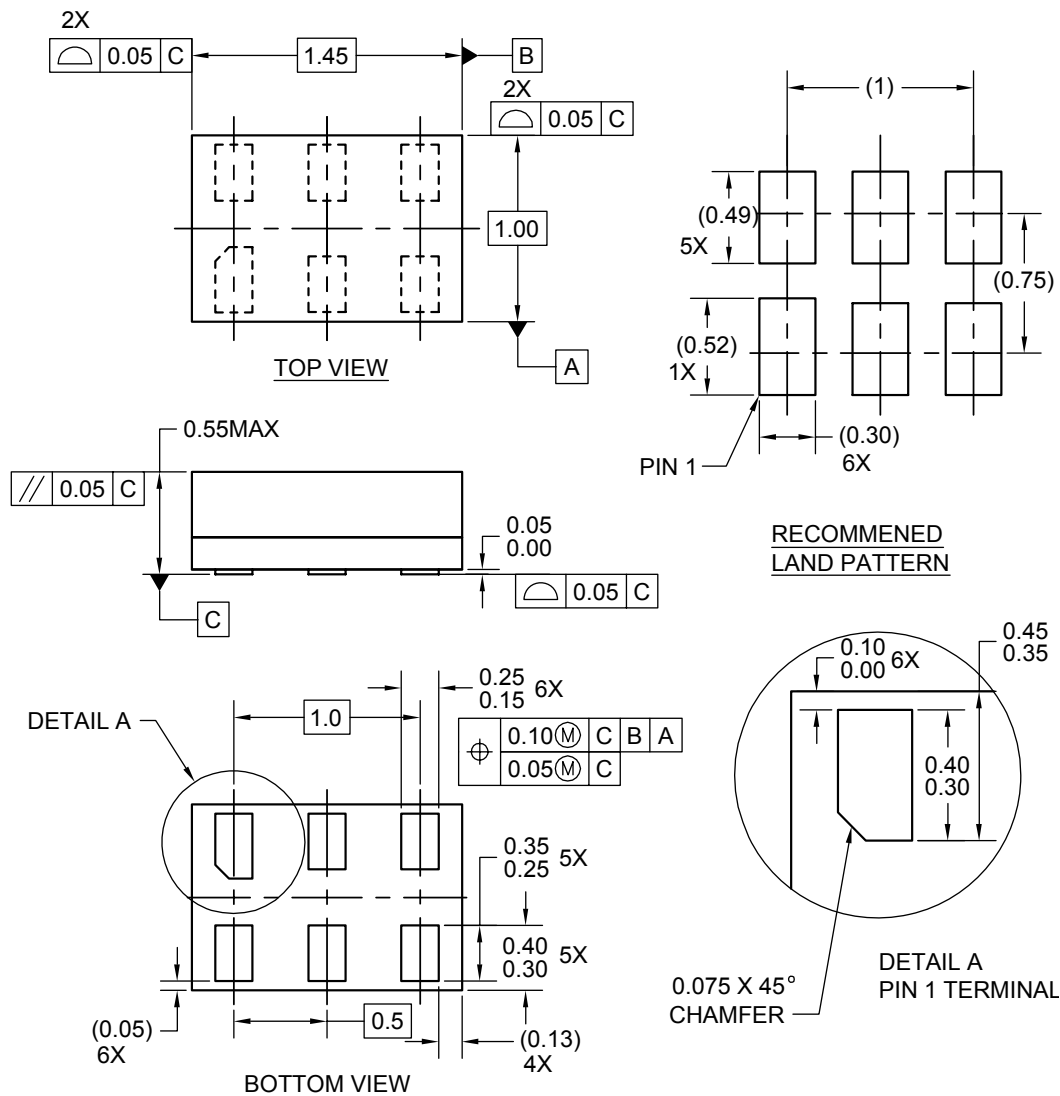


Figure 15. 5-Lead SOT23 Package

Mechanical Dimensions

Dimensions are in millimeters unless otherwise noted.



Notes:

1. CONFORMS TO JEDEC STANDARD M0-252 VARIATION UAAD
2. DIMENSIONS ARE IN MILLIMETERS
3. DRAWING CONFORMS TO ASME Y14.5M-1994


MAC06AREVC

Figure 16. 6-Lead MicroPak™ Package



TRADEMARKS

The following are registered and unregistered trademarks Fairchild Semiconductor owns or is authorized to use and is not intended to be an exhaustive list of all such trademarks.

ACEx [®]	HiSeC [™]	Programmable Active Droop [™]	TinyLogic [®]
Across the board. Around the world. [™]	<i>i-Lo</i> [™]	QFET [®]	TINYOPTO [™]
ActiveArray [™]	ImpliedDisconnect [™]	QST [™]	TinyPower [™]
Bottomless [™]	IntelliMAX [™]	QT Optoelectronics [™]	TinyWre [™]
Build it Now [™]	ISOPLANAR [™]	Quiet Series [™]	TruTranslation [™]
CoolFET [™]	MICROCOUPLER [™]	RapidConfigure [™]	μSerDes [™]
CROSSVOL7 [™]	MicroPak [™]	RapidConnect [™]	UHC [®]
CTL [™]	MICROWIRE [™]	ScalarPump [™]	UniFET [™]
Current Transfer Logic [™]	MSX [™]	SMART START [™]	VCX [™]
DOME [™]	MSXPro [™]	SPM [®]	Wire [™]
E ² CMOS [™]	OCX [™]	STEALTH [™]	
EcoSPARK [®]	OCXPro [™]	SuperFET [™]	
EnSigna [™]	OPTOLOGIC [®]	SuperSOT [™] .3	
FACT Quiet Series [™]	OPTOPLANAR [®]	SuperSOT [™] .6	
FACT [®]	PACMAN [™]	SuperSOT [™] .8	
FAST [®]	POP [™]	SyncFET [™]	
FASTr [™]	Power220 [®]	TCM [™]	
FPST [™]	Power247 [®]	The Power Franchise [®]	
FRFET [®]	PowerEdge [™]	 ™	
GlobalOptoisolator [™]	PowerSaver [™]	TinyBoost [™]	
GTO [™]	PowerTrench [®]	TinyBuck [™]	

DISCLAIMER

FAIRCHILD SEMICONDUCTOR RESERVES THE RIGHT TO MAKE CHANGES WITHOUT FURTHER NOTICE TO ANY PRODUCTS HEREIN TO IMPROVE RELIABILITY, FUNCTION OR DESIGN. FAIRCHILD DOES NOT ASSUME ANY LIABILITY ARISING OUT OF THE APPLICATION OR USE OF ANY PRODUCT OR CIRCUIT DESCRIBED HEREIN; NEITHER DOES IT CONVEY ANY LICENSE UNDER ITS PATENT RIGHTS, NOR THE RIGHTS OF OTHERS. THESE SPECIFICATIONS DO NOT EXPAND THE TERMS OF FAIRCHILD'S WORLDWIDE TERMS AND CONDITIONS, SPECIFICALLY THE WARRANTY THEREIN, WHICH COVERS THESE PRODUCTS.

LIFE SUPPORT POLICY

FAIRCHILD'S PRODUCTS ARE NOT AUTHORIZED FOR USE AS CRITICAL COMPONENTS IN LIFE SUPPORT DEVICES OR SYSTEMS WITHOUT THE EXPRESS WRITTEN APPROVAL OF FAIRCHILD SEMICONDUCTOR CORPORATION.

As used herein:

- Life support devices or systems are devices or systems which, (a) are intended for surgical implant into the body or (b) support or sustain life, and (c) whose failure to perform when properly used in accordance with instructions for use provided in the labeling, can be reasonably expected to result in a significant injury of the user.
- A critical component in any component of a life support, device, or system whose failure to perform can be reasonably expected to cause the failure of the life support device or system, or to affect its safety or effectiveness.

PRODUCT STATUS DEFINITIONS

Definition of Terms

Datasheet Identification	Product Status	Definition
Advance Information	Formative or In Design	This datasheet contains the design specifications for product development. Specifications may change in any manner without notice.
Preliminary	First Production	This datasheet contains preliminary data; supplementary data will be published at a later date. Fairchild Semiconductor reserves the right to make changes at any time without notice to improve design.
No Identification Needed	Full Production	This datasheet contains final specifications. Fairchild Semiconductor reserves the right to make changes at any time without notice to improve design.
Obsolete	Not In Production	This datasheet contains specifications on a product that has been discontinued by Fairchild Semiconductor. The datasheet is printed for reference information only.

Rev. I24