

**Broadband CATV Amplifier**  
50 - 1000 MHz

MAAMSS0042  
V2

**Features**

- 75  $\Omega$  Input / Output Match
- -70 dBc CTB
- 3.0 dB Noise Figure
- 15 dB Gain
- Lead-Free SOT-89 Package
- 100% Matte Tin Plating over Copper
- Halogen-Free "Green" Mold Compound
- RoHS\* Compliant and 260°C Reflow Compatible

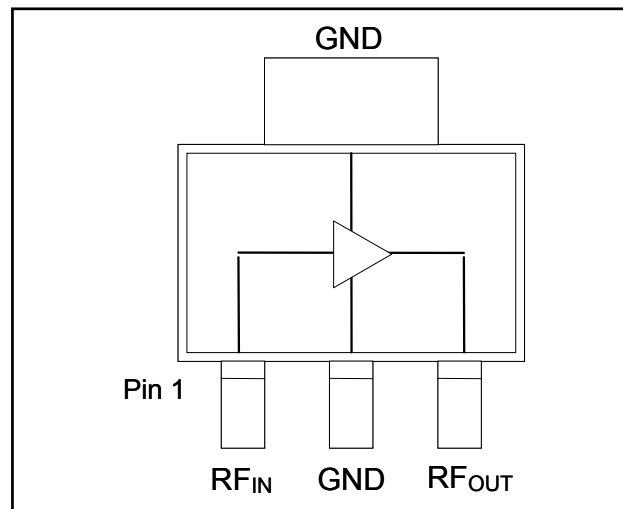
**Description**

M/A-COM's MAAMSS0042 CATV amplifier is a GaAs MMIC which exhibits low distortion in a lead-free miniature surface mount plastic package. The MAAMSS0042 employs a monolithic single stage design featuring a convenient 75  $\Omega$  input/output impedance that minimizes the number of external components required.

The MAAMSS0042 provides low noise and high linearity. It is ideally suited for set top boxes, home gateways, FTTX, Drop Amplifiers, and other broadband internet based appliances.

The MAAMSS0042 is fabricated using M/A-COM's PHEMT process to realize low noise and low distortion. The process features full passivation for robust performance and reliability.

**Functional Schematic**



**Pin Configuration**

Pin No.	Pin Name	Description
1	RF <sub>IN</sub>	RF Input
2	GND	Ground
3	RF <sub>OUT</sub>	RF Output / Drain Supply

**Absolute Maximum Ratings**<sup>2,3</sup>

Parameter	Absolute Maximum
RF Input Power	10 dBm
Voltage	10.0 volts
Operating Temperature	-20 °C to +85 °C
Storage Temperature	-65 °C to +150 °C

2. Exceeding any one or combination of these limits may cause permanent damage to this device.
3. M/A-COM does not recommend sustained operation near these survivability limits.

**Ordering Information**<sup>1</sup>

Part Number	Package
MAAMSS0042	Bulk Packaging
MAAMSS0042TR	1000 piece reel
MAAMSS0042TR-3000	3000 piece reel
MAAMSS0042SMB	Sample Test Board (Includes 5 Samples)

1. Reference Application Note M513 for reel size information.

\* Restrictions on Hazardous Substances, European Union Directive 2002/95/EC.

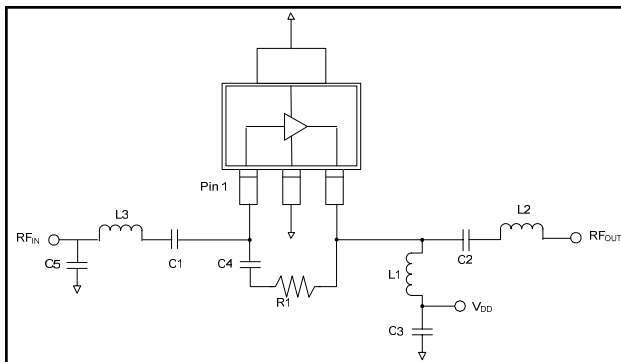
**Broadband CATV Amplifier  
50 - 1000 MHz**

**MAAMSS0042  
V2**

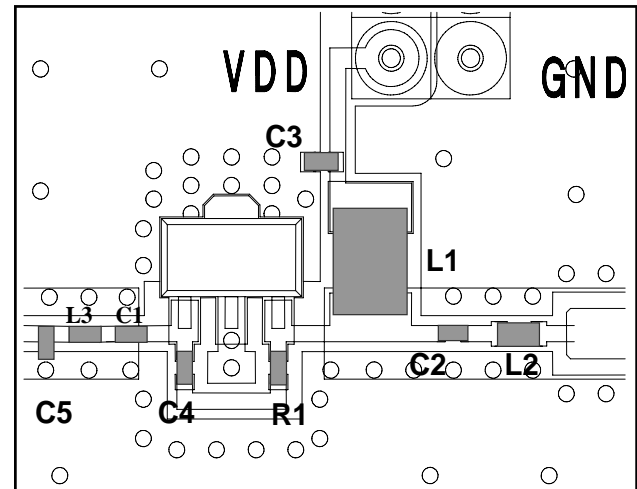
**Electrical Specifications:**  $T_A = 25^\circ\text{C}$ , Freq: 50 - 1000 MHz,  $V_{DD} = 5$  Volts,  $Z_0 = 75 \Omega$

Parameter	Test Conditions	Units	Min.	Typ.	Max.
Gain		dB	13.8	15	16.0
Gain Flatness		dB	—	0.8	1.2
Noise Figure		dB	—	3.0	4.0
Input Return Loss		dB	—	20	—
Output Return Loss		dB	—	18	—
Output IP3	6 MHz Spacing, -10 dBm output per tone	dBm	—	38	—
Composite Triple Beat, CTB	132 channels, +30 dBmV / channel at the output.	dBc	—	-70	—
Composite Second Order, CSO	132 channels, +30 dBmV / channel at the output.	dBc	—	-70	—
P1dB		dBm	—	21	—
$I_{DD}$	5 Volts	mA	—	110	130

**Schematic Including Off-Chip Components**



**Recommended Board Layout**



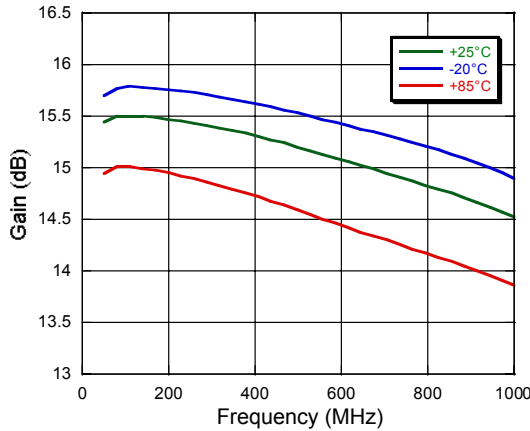
**Off-Chip Component Values**

Component	Value	Package
C1,C2,C3,C4	0.01 $\mu\text{F}$	0402
C5	0.8 pF	0402
L1 <sup>4</sup>	1 $\mu\text{H}$	1210
L2	4.7 nH	0402
L3	6.8 nH	0402
R1	523 $\Omega$	0402

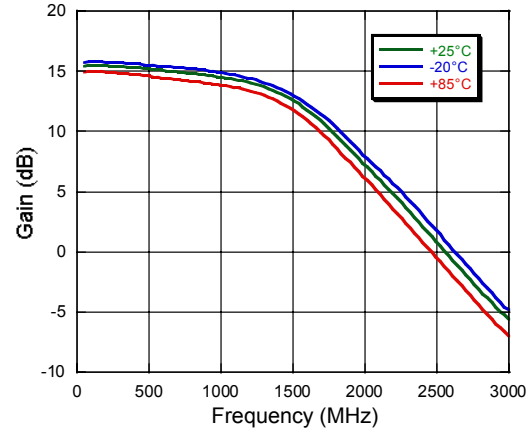
4. L1 supplied from EPCOS, part number B82422A11022k100

**Typical Performance Curves**

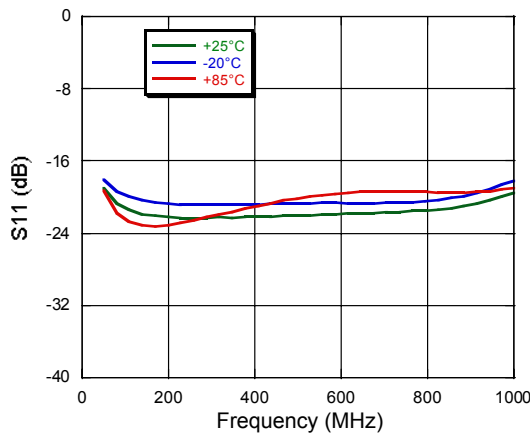
**Gain vs. Frequency over Temperature to 1 GHz**



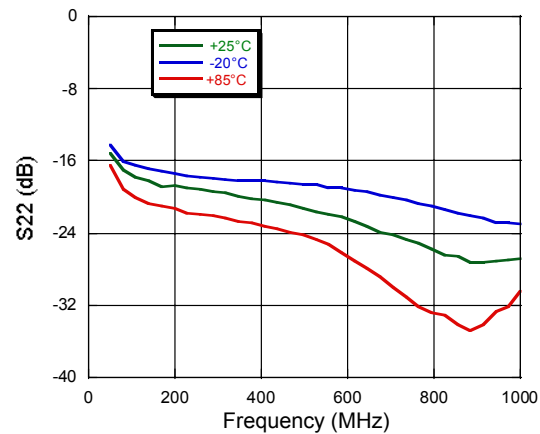
**Gain vs. Frequency over Temperature to 3 GHz**



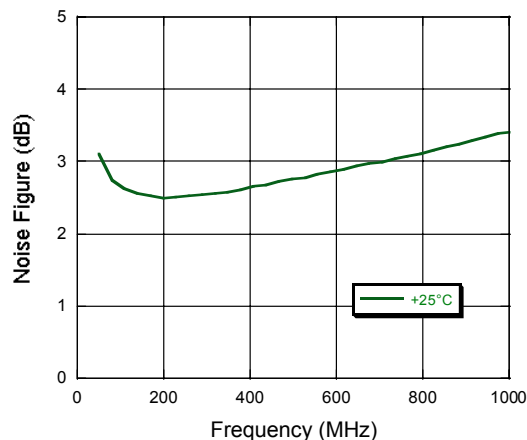
**Input Return Loss vs. Frequency over Temperature**



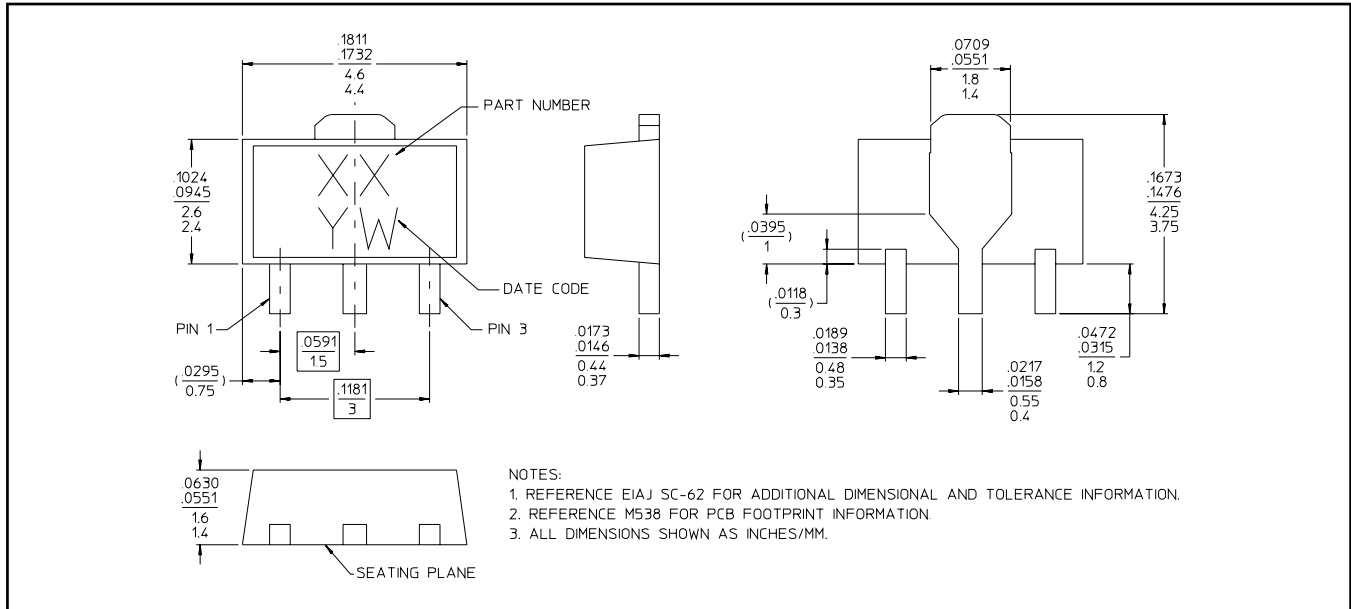
**Output Return Loss vs. Frequency over Temperature**



**Noise Figure vs. Frequency**



**Lead Free SOT-89 Plastic Package**



† Reference Application Note M538 for lead-free solder reflow recommendations.