



# 93AA76A/B/C, 93LC76A/B/C, 93C76A/B/C

## 8-Kbit Microwire Compatible Serial EEPROM

### Device Selection Table

| Part Number | Vcc Range | ORG Pin | PE Pin | Word Size    | Temp Ranges | Packages              |
|-------------|-----------|---------|--------|--------------|-------------|-----------------------|
| 93AA76A     | 1.8-5.5   | No      | No     | 8-bit        | I           | P, SN, ST, MS, OT     |
| 93AA76B     | 1.8-5.5   | No      | No     | 16-bit       | I           | P, SN, ST, MS, OT     |
| 93LC76A     | 2.5-5.5   | No      | No     | 8-bit        | I, E        | P, SN, ST, MS, OT     |
| 93LC76B     | 2.5-5.5   | No      | No     | 16-bit       | I, E        | P, SN, ST, MS, OT     |
| 93C76A      | 4.5-5.5   | No      | No     | 8-bit        | I, E        | P, SN, ST, MS, OT     |
| 93C76B      | 4.5-5.5   | No      | No     | 16-bit       | I, E        | P, SN, ST, MS, OT     |
| 93AA76C     | 1.8-5.5   | Yes     | Yes    | 8- or 16-bit | I           | P, SN, ST, MS, MC, MN |
| 93LC76C     | 2.5-5.5   | Yes     | Yes    | 8- or 16-bit | I, E        | P, SN, ST, MS, MC, MN |
| 93C76C      | 4.5-5.5   | Yes     | Yes    | 8- or 16-bit | I, E        | P, SN, ST, MS, MC, MN |

### Features

- Low-Power CMOS Technology
- ORG Pin to Select Word Size for '76C' Version
- 1024 x 8-bit Organization 'A' Devices (no ORG)
- 512 x 16-bit Organization 'B' Devices (no ORG)
- Program Enable Pin to Write-Protect the Entire Array ('76C' version only)
- Self-Timed Erase/Write Cycles (including Auto-Erase)
- Automatic Erase All (ERAL) Before Write All (WRAL)
- Power-On/Off Data Protection Circuitry
- Industry Standard Three-Wire Serial I/O
- Device Status Signal (Ready/Busy)
- Sequential Read Function
- High Reliability:
  - Endurance: 1,000,000 erase/write cycles
  - Data retention > 200 Years
  - ESD protection: > 4,000V
- RoHS Compliant
- Temperature Ranges Supported:
  - Industrial (I): -40°C to +85°C
  - Extended (E): -40°C to +125°C
- Automotive AEC-Q100 Qualified

### Pin Function Table

| Name | Function                            |
|------|-------------------------------------|
| CS   | Chip Select                         |
| CLK  | Serial Data Clock                   |
| DI   | Serial Data Input                   |
| DO   | Serial Data Output                  |
| Vss  | Ground                              |
| PE   | Program Enable – 93XX76C only       |
| ORG  | Memory Configuration – 93XX76C only |
| Vcc  | Power Supply                        |

### Description

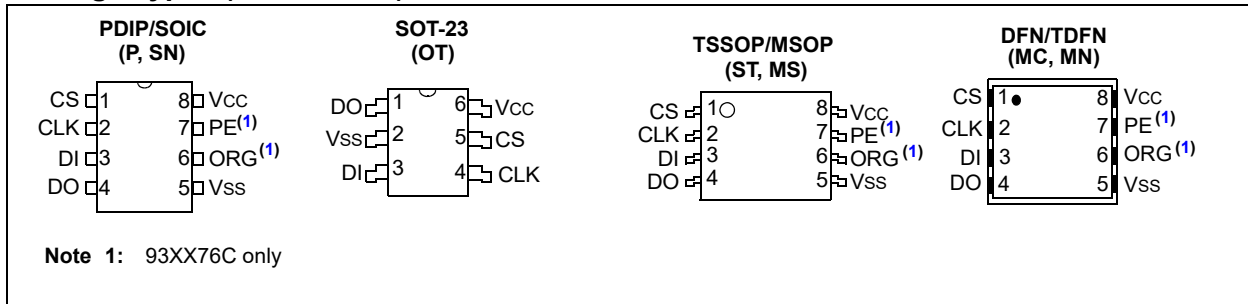
The Microchip Technology Inc. 93XX76A/B/C devices are 8-Kbit, low-voltage, serial Electrically Erasable PROMs (EEPROM). Word-selectable devices such as the 93XX76C are dependent upon external logic levels driving the ORG pin to set word size. The 93XX76A devices provide dedicated 8-bit memory organization, while the 93XX76B devices provide dedicated 16-bit memory organization. A Program Enable (PE) pin allows the user to write-protect the entire memory array. Advanced CMOS technology makes these devices ideal for low-power, nonvolatile memory applications.

### Packages

- 8-lead PDIP, 8-lead SOIC, 8-lead TSSOP, 8-lead MSOP, 6-lead SOT-23, 8-lead DFN and 8-lead TDFN

# 93AA76A/B/C, 93LC76A/B/C, 93C76A/B/C

## Package Types (not to scale)



# 93AA76A/B/C, 93LC76A/B/C, 93C76A/B/C

## 1.0 ELECTRICAL CHARACTERISTICS

### Absolute Maximum Ratings (†)

|   |                                |
|---|--------------------------------|
| V <sub>CC</sub> .....                               | 7.0V                           |
| All inputs and outputs w.r.t. V <sub>SS</sub> ..... | -0.6V to V <sub>CC</sub> +1.0V |
| Storage temperature.....                            | -65°C to +150°C                |
| Ambient temperature with power applied.....         | -40°C to +125°C                |
| ESD protection on all pins.....                     | ≥ 4 kV                         |

† NOTICE: Stresses above those listed under “Absolute Maximum Ratings” may cause permanent damage to the device. This is a stress rating only and functional operation of the device at those or any other conditions above those indicated in the operational listings of this specification is not implied. Exposure to maximum rating conditions for extended periods may affect device reliability.

**TABLE 1-1: DC CHARACTERISTICS**

| All parameters apply over the specified ranges unless otherwise noted. |                                       |  | Industrial (I): TA = -40°C to +85°C, V <sub>CC</sub> = +1.8V to 5.5V<br>Extended (E): TA = -40°C to +125°C, V <sub>CC</sub> = +2.5V to 5.5V |     |                     |       |  |
|--|---------------------------------------|--|---|-----|---------------------|-------|--|
| Param. No.   | Symbol                                | Parameter                                | Min   | Typ | Max                 | Units | Conditions   |
| D1   | V <sub>IH1</sub>                      | High-level input voltage                 | 2.0   | —   | V <sub>CC</sub> + 1 | V     | V <sub>CC</sub> ≥ 2.7V   |
|  | V <sub>IH2</sub>                      |  | 0.7 V <sub>CC</sub>   | —   | V <sub>CC</sub> + 1 | V     | V <sub>CC</sub> < 2.7V   |
| D2   | V <sub>IL1</sub>                      | Low-level input voltage                  | -0.3  | —   | 0.8                 | V     | V <sub>CC</sub> ≥ 2.7V   |
|  | V <sub>IL2</sub>                      |  | -0.3  | —   | 0.2 V <sub>CC</sub> | V     | V <sub>CC</sub> < 2.7V   |
| D3   | V <sub>OL1</sub>                      | Low-level output voltage                 | —   | —   | 0.4                 | V     | I <sub>OL</sub> = 2.1 mA, V <sub>CC</sub> = 4.5V   |
|  | V <sub>OL2</sub>                      |  | —   | —   | 0.2                 | V     | I <sub>OL</sub> = 100 μA, V <sub>CC</sub> = 2.5V   |
| D4   | V <sub>OH1</sub>                      | High-level output voltage                | 2.4   | —   | —                   | V     | I <sub>OH</sub> = -400 μA, V <sub>CC</sub> = 4.5V  |
|  | V <sub>OH2</sub>                      |  | V <sub>CC</sub> - 0.2   | —   | —                   | V     | I <sub>OH</sub> = -100 μA, V <sub>CC</sub> = 2.5V  |
| D5   | I <sub>LI</sub>                       | Input leakage current                    | —   | —   | ±1                  | μA    | V <sub>IN</sub> = V <sub>SS</sub> or V <sub>CC</sub>   |
| D6   | I <sub>LO</sub>                       | Output leakage current                   | —   | —   | ±1                  | μA    | V <sub>OUT</sub> = V <sub>SS</sub> or V <sub>CC</sub>  |
| D7   | C <sub>IN</sub> ,<br>C <sub>OUT</sub> | Pin capacitance (all inputs/<br>outputs) | —   | —   | 7                   | pF    | V <sub>IN</sub> /V <sub>OUT</sub> = 0V ( <b>Note 1</b> )<br>TA = 25°C, F <sub>CLK</sub> = 1 MHz              |
| D8   | I <sub>CC</sub> write                 | Write current                            | —   | —   | 3                   | mA    | F <sub>CLK</sub> = 3 MHz, V <sub>CC</sub> = 5.5V   |
|  |                                       |  | —   | 500 | —                   | μA    | F <sub>CLK</sub> = 2 MHz, V <sub>CC</sub> = 2.5V   |
| D9   | I <sub>CC</sub> read                  | Read current                             | —   | —   | 1                   | mA    | F <sub>CLK</sub> = 3 MHz, V <sub>CC</sub> = 5.5V   |
|  |                                       |  | —   | —   | 500                 | μA    | F <sub>CLK</sub> = 2 MHz, V <sub>CC</sub> = 3.0V   |
|  |                                       |  | —   | 100 | —                   | μA    | F <sub>CLK</sub> = 2 MHz, V <sub>CC</sub> = 2.5V   |
| D10  | I <sub>CCS</sub>                      | Standby current                          | —   | —   | 1                   | μA    | I-Temp, CS = 0V<br>ORG = DI = PE = V <sub>SS</sub> or V <sub>CC</sub><br>( <b>Note 2</b> ) ( <b>Note 3</b> ) |
|  |                                       |  | —   | —   | 5                   | μA    | E-Temp, CS = 0V<br>ORG = DI = PE = V <sub>SS</sub> or V <sub>CC</sub><br>( <b>Note 2</b> ) ( <b>Note 3</b> ) |
| D11  | V <sub>POR</sub>                      | V <sub>CC</sub> voltage detect           | —   | 1.5 | —                   | V     | 93AA76A/B/C, 93LC76A/B/C<br>( <b>Note 1</b> )  |
|  |                                       |  | —   | 3.8 | —                   | V     | 93C76A/B/C ( <b>Note 1</b> )   |

- Note 1:** This parameter is periodically sampled and not 100% tested.  
**2:** ORG and PE pins not available on 'A' or 'B' versions.  
**3:** Ready/Busy status must be cleared from DO; see [Section 3.4 “Data Out \(DO\)”](#).

# 93AA76A/B/C, 93LC76A/B/C, 93C76A/B/C

**TABLE 1-2: AC CHARACTERISTICS**

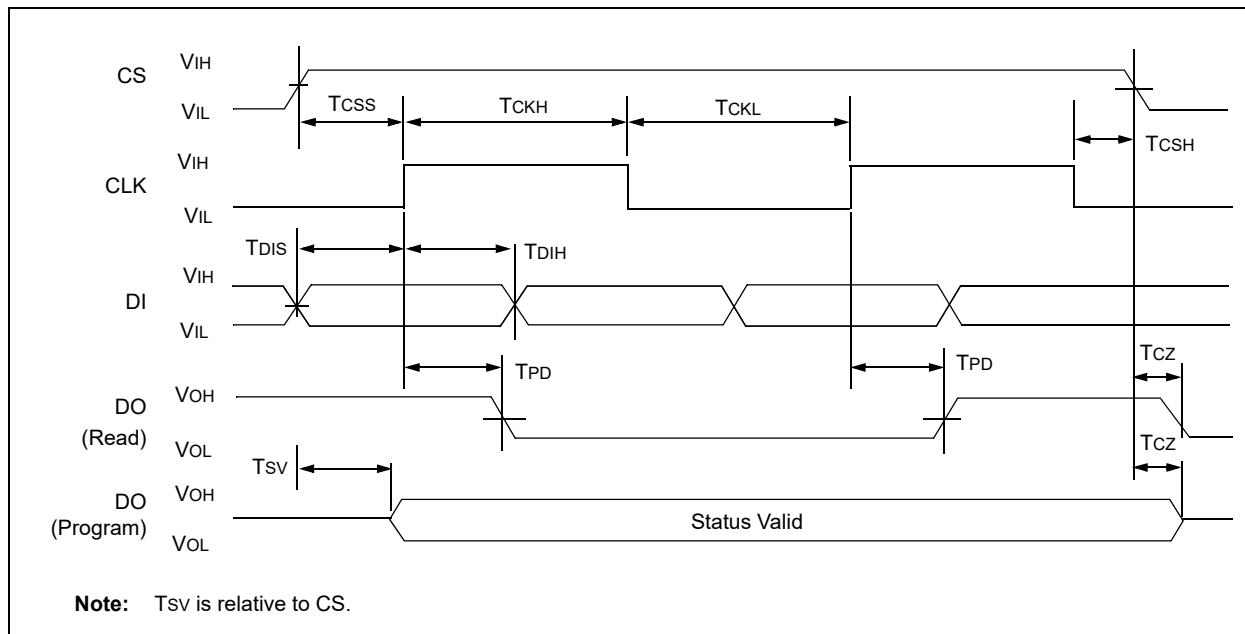
| All parameters apply over the specified ranges unless otherwise noted. |        |                          | Industrial (I): TA = -40°C to +85°C, Vcc = +1.8V to 5.5V<br>Extended (E): TA = -40°C to +125°C, Vcc = +2.5V to 5.5V |     |        |                                       |
|--|--------|--------------------------|---|-----|--------|---------------------------------------|
| Param. No.   | Symbol | Parameter                | Min   | Max | Units  | Conditions                            |
| A1   | FCLK   | Clock frequency          | —   | 3   | MHz    | 4.5V ≤ Vcc < 5.5V                     |
|  |        |                          | —   | 2   | MHz    | 2.5V ≤ Vcc < 4.5V                     |
|  |        |                          | —   | 1   | MHz    | 1.8V ≤ Vcc < 2.5V                     |
| A2   | TCKH   | Clock high time          | 200   | —   | ns     | 4.5V ≤ Vcc < 5.5V                     |
|  |        |                          | 250   | —   | ns     | 2.5V ≤ Vcc < 4.5V                     |
|  |        |                          | 450   | —   | ns     | 1.8V ≤ Vcc < 2.5V                     |
| A3   | TCKL   | Clock low time           | 100   | —   | ns     | 4.5V ≤ Vcc < 5.5V                     |
|  |        |                          | 200   | —   | ns     | 2.5V ≤ Vcc < 4.5V                     |
|  |        |                          | 450   | —   | ns     | 1.8V ≤ Vcc < 2.5V                     |
| A4   | TCSS   | Chip Select setup time   | 50  | —   | ns     | 4.5V ≤ Vcc < 5.5V                     |
|  |        |                          | 100   | —   | ns     | 2.5V ≤ Vcc < 4.5V                     |
|  |        |                          | 250   | —   | ns     | 1.8V ≤ Vcc < 2.5V                     |
| A5   | TCSH   | Chip Select hold time    | 0   | —   | ns     | 1.8V ≤ Vcc < 5.5V                     |
| A6   | TCSL   | Chip Select low time     | 250   | —   | ns     | 1.8V ≤ Vcc < 5.5V                     |
| A7   | TDIS   | Data input setup time    | 50  | —   | ns     | 4.5V ≤ Vcc < 5.5V                     |
|  |        |                          | 100   | —   | ns     | 2.5V ≤ Vcc < 4.5V                     |
|  |        |                          | 250   | —   | ns     | 1.8V ≤ Vcc < 2.5V                     |
| A8   | TDIH   | Data input hold time     | 50  | —   | ns     | 4.5V ≤ Vcc < 5.5V                     |
|  |        |                          | 100   | —   | ns     | 2.5V ≤ Vcc < 4.5V                     |
|  |        |                          | 250   | —   | ns     | 1.8V ≤ Vcc < 2.5V                     |
| A9   | TPD    | Data output delay time   | —   | 100 | ns     | 4.5V ≤ Vcc < 5.5V, CL = 100 pF        |
|  |        |                          | —   | 250 | ns     | 2.5V ≤ Vcc < 4.5V, CL = 100 pF        |
|  |        |                          | —   | 400 | ns     | 1.8V ≤ Vcc < 2.5V, CL = 100 pF        |
| A10  | TCZ    | Data output disable time | —   | 100 | ns     | 4.5V ≤ Vcc < 5.5V (Note 1)            |
|  |        |                          | —   | 200 | ns     | 1.8V ≤ Vcc < 4.5V (Note 1)            |
| A11  | Tsv    | Status valid time        | —   | 200 | ns     | 4.5V ≤ Vcc < 5.5V, CL = 100 pF        |
|  |        |                          | —   | 300 | ns     | 2.5V ≤ Vcc < 4.5V, CL = 100 pF        |
|  |        |                          | —   | 500 | ns     | 1.8V ≤ Vcc < 2.5V, CL = 100 pF        |
| A12  | TWC    | Program cycle time       | —   | 5   | ms     | Erase/Write mode (AA and LC versions) |
| A13  | TWC    |                          | —   | 2   | ms     | Erase/Write mode (93C versions)       |
| A14  | TEC    |                          | —   | 6   | ms     | ERAL mode, 4.5V ≤ Vcc ≤ 5.5V          |
| A15  | TWL    |                          | —   | 15  | ms     | WRAL mode, 4.5V ≤ Vcc ≤ 5.5V          |
| A16  | —      | Endurance                | 1M  | —   | cycles | +25°C, Vcc = 5.0V, (Note 2)           |

**Note 1:** This parameter is periodically sampled and not 100% tested.

**Note 2:** This parameter is not tested but ensured by characterization.

# 93AA76A/B/C, 93LC76A/B/C, 93C76A/B/C

**FIGURE 1-1: SYNCHRONOUS DATA TIMING**



**TABLE 1-3: INSTRUCTION SET FOR X16 ORGANIZATION (93XX76B OR 93XX76C WITH ORG = 1)**

| Instruction | SB | Opcode | Address                      | Data In | Data Out                        | Req. CLK Cycles |
|-------------|----|--------|------------------------------|---------|---------------------------------|-----------------|
| READ        | 1  | 10     | X A8 A7 A6 A5 A4 A3 A2 A1 A0 | —       | D15-D0                          | 29              |
| EWEN        | 1  | 00     | 1 1 x x x x x x x x x x      | —       | High-Z                          | 13              |
| ERASE       | 1  | 11     | X A8 A7 A6 A5 A4 A3 A2 A1 A0 | —       | (RDY/ $\overline{\text{BSY}}$ ) | 13              |
| ERAL        | 1  | 00     | 1 0 x x x x x x x x x x      | —       | (RDY/ $\overline{\text{BSY}}$ ) | 13              |
| WRITE       | 1  | 01     | X A8 A7 A6 A5 A4 A3 A2 A1 A0 | D15-D0  | (RDY/ $\overline{\text{BSY}}$ ) | 29              |
| WRAL        | 1  | 00     | 0 1 x x x x x x x x x x      | D15-D0  | (RDY/ $\overline{\text{BSY}}$ ) | 29              |
| EWDS        | 1  | 00     | 0 0 x x x x x x x x x x      | —       | High-Z                          | 13              |

**TABLE 1-4: INSTRUCTION SET FOR X8 ORGANIZATION (93XX76A OR 93XX76C WITH ORG = 0)**

| Instruction | SB | Opcode | Address                         | Data In | Data Out                        | Req. CLK Cycles |
|-------------|----|--------|---------------------------------|---------|---------------------------------|-----------------|
| READ        | 1  | 10     | X A9 A8 A7 A6 A5 A4 A3 A2 A1 A0 | —       | D7-D0                           | 22              |
| EWEN        | 1  | 00     | 1 1 x x x x x x x x x x         | —       | High-Z                          | 14              |
| ERASE       | 1  | 11     | X A9 A8 A7 A6 A5 A4 A3 A2 A1 A0 | —       | (RDY/ $\overline{\text{BSY}}$ ) | 14              |
| ERAL        | 1  | 00     | 1 0 x x x x x x x x x x         | —       | (RDY/ $\overline{\text{BSY}}$ ) | 14              |
| WRITE       | 1  | 01     | X A9 A8 A7 A6 A5 A4 A3 A2 A1 A0 | D7-D0   | (RDY/ $\overline{\text{BSY}}$ ) | 22              |
| WRAL        | 1  | 00     | 0 1 x x x x x x x x x x         | D7-D0   | (RDY/ $\overline{\text{BSY}}$ ) | 22              |
| EWDS        | 1  | 00     | 0 0 x x x x x x x x x x         | —       | High-Z                          | 14              |

# 93AA76A/B/C, 93LC76A/B/C, 93C76A/B/C

## 2.0 FUNCTIONAL DESCRIPTION

When the ORG pin (93XX76C) is connected to VCC, the (x16) organization is selected. When it is connected to ground, the (x8) organization is selected. Instructions, addresses and write data are clocked into the DI pin on the rising edge of the clock (CLK). The DO pin is normally held in a High-Z state except when reading data from the device, or when checking the Ready/Busy status during a programming operation. The Ready/Busy status can be verified during an Erase/Write operation by polling the DO pin; DO low indicates that programming is still in progress, while DO high indicates the device is ready. DO will enter the High-Z state on the falling edge of CS.

### 2.1 Start Condition

The Start bit is detected by the device if CS and DI are both high with respect to the positive edge of CLK for the first time.

Before a Start condition is detected, CS, CLK and DI may change in any combination (except to that of a Start condition), without resulting in any device operation (Read, Write, Erase, EWEN, EWDS, ERAL or WRAL). As soon as CS is high, the device is no longer in Standby mode.

An instruction following a Start condition will only be executed if the required opcode, address and data bits for any particular instruction are clocked in.

**Note:** When preparing to transmit an instruction, either the CLK or DI signal levels must be at a logic low as CS is toggled active high.

### 2.2 Data In/Data Out (DI/DO)

It is possible to connect the Data In and Data Out pins together. However, with this configuration it is possible for a “bus conflict” to occur during the “dummy zero” that precedes the read operation if A0 is a logic high-level. Under such a condition the voltage level seen at Data Out is undefined and will depend upon the relative impedances of Data Out and the signal source driving A0. The higher the current sourcing capability of the driver, the higher the voltage at the Data Out pin. In order to limit this current, a resistor should be connected between DI and DO.

## 2.3 Data Protection

All modes of operation are inhibited when VCC is below a typical voltage of 1.5V for '93AA' and '93LC' devices or 3.8V for '93C' devices.

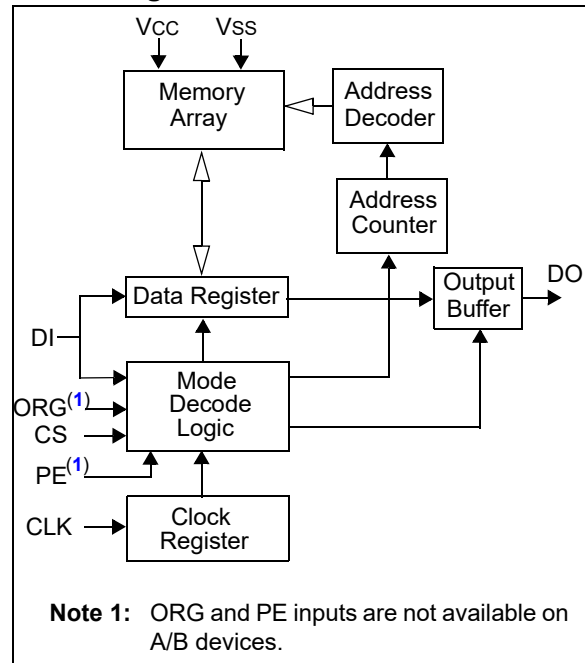
The EWEN and EWDS commands give additional protection against accidentally programming during normal operation.

**Note:** For added protection, an EWDS command should be performed after every write operation and an external 10 kΩ pull-down protection resistor should be added to the CS pin.

After power-up the device is automatically in the EWDS mode. Therefore, an EWEN instruction must be performed before the initial ERASE or WRITE instruction can be executed.

**Note:** To prevent accidental writes to the array in the 93XX76C devices, set the PE pin to a logic low.

## Block Diagram



# 93AA76A/B/C, 93LC76A/B/C, 93C76A/B/C

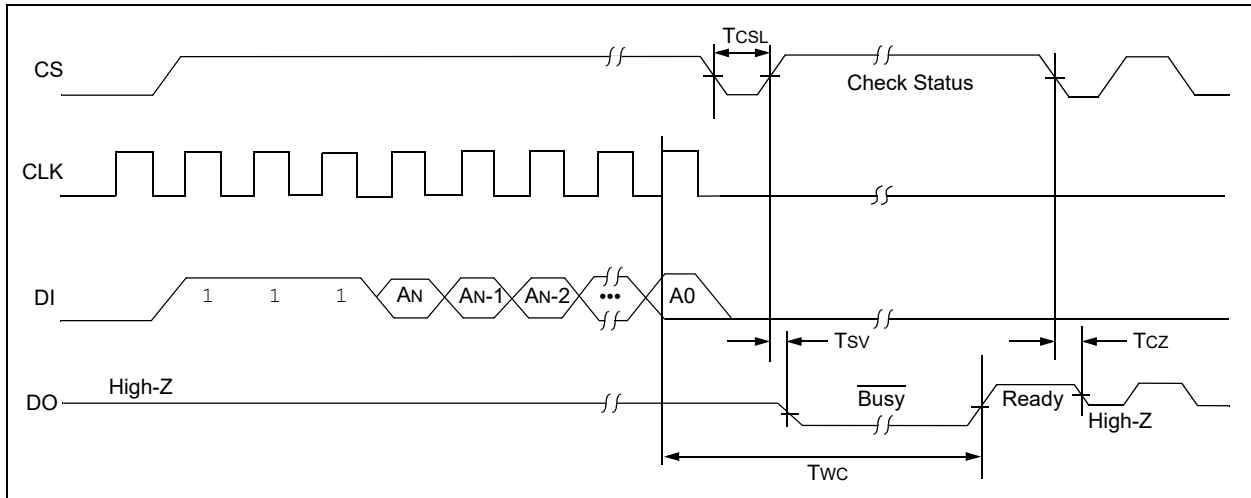
## 2.4 Erase

The ERASE instruction forces all data bits of the specified address to the logical '1' state. The rising edge of CLK before the last address bit initiates the write cycle.

The DO pin indicates the Ready/ $\overline{\text{Busy}}$  status of the device if CS is brought high after a minimum of 250 ns low (TCSL). DO at logical '0' indicates that programming is still in progress. DO at logical '1' indicates that the register at the specified address has been erased and the device is ready for another instruction.

**Note:** After the Erase cycle is complete, issuing a Start bit and then taking CS low will clear the Ready/Busy status from DO.

**FIGURE 2-1: ERASE TIMING**



## 2.5 Erase All (ERAL)

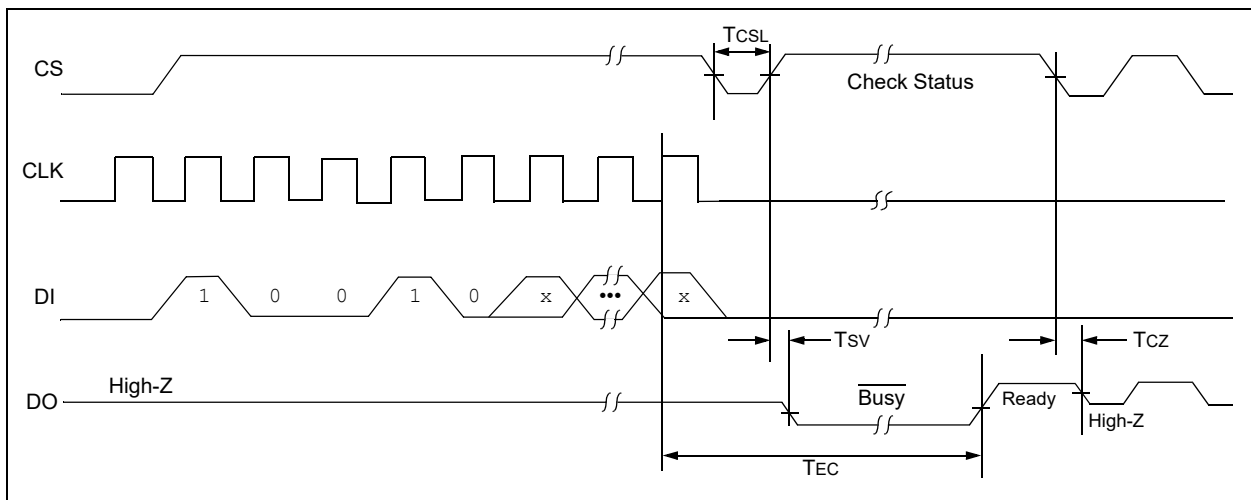
The Erase All (ERAL) instruction will erase the entire memory array to the logical '1' state. The ERAL cycle is identical to the erase cycle, except for the different opcode. The ERAL cycle is completely self-timed. The rising edge of CLK before the last data bit initiates the write cycle. Clocking of the CLK pin is not necessary after the device has entered the ERAL cycle.

The DO pin indicates the Ready/ $\overline{\text{Busy}}$  status of the device, if CS is brought high after a minimum of 250 ns low (TCSL).

**Note:** After the ERAL command is complete, issuing a Start bit and then taking CS low will clear the Ready/Busy status from DO.

VCC must be  $\geq 4.5\text{V}$  for proper operation of ERAL.

**FIGURE 2-2: ERAL TIMING**



# 93AA76A/B/C, 93LC76A/B/C, 93C76A/B/C

## 2.6 Erase/Write Disable and Enable (EWDS/EWEN)

The 93XX76A/B/C powers up in the Erase/Write Disable (EWDS) state. All programming modes must be preceded by an Erase/Write Enable (EWEN) instruction.

Once the EWEN instruction is executed, programming remains enabled until an EWDS instruction is executed or VCC is removed from the device.

To protect against accidental data disturbance, the EWDS instruction can be used to disable all erase/write functions and should follow all programming operations. Execution of a READ instruction is independent of both the EWEN and EWDS instructions.

FIGURE 2-3: EWDS TIMING

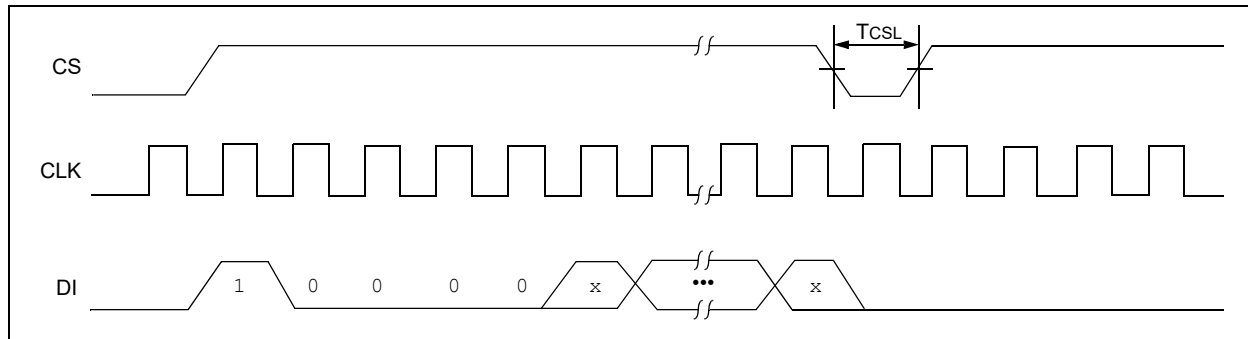
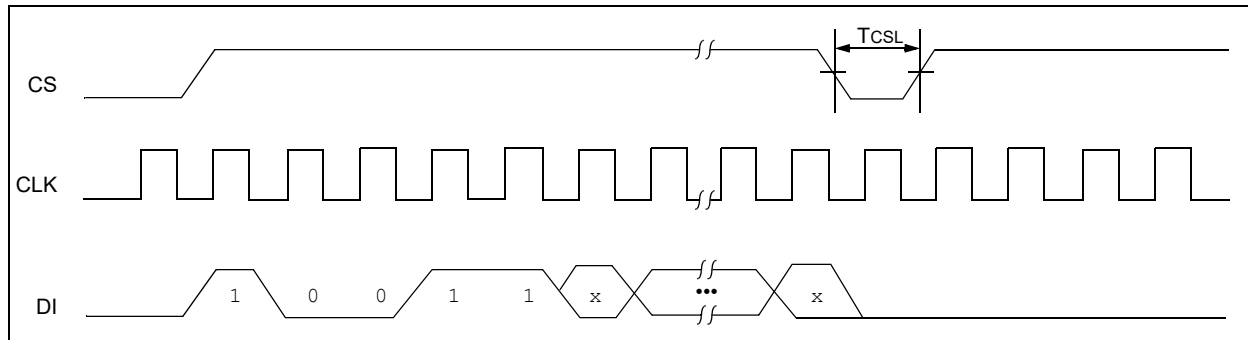


FIGURE 2-4: EWEN TIMING

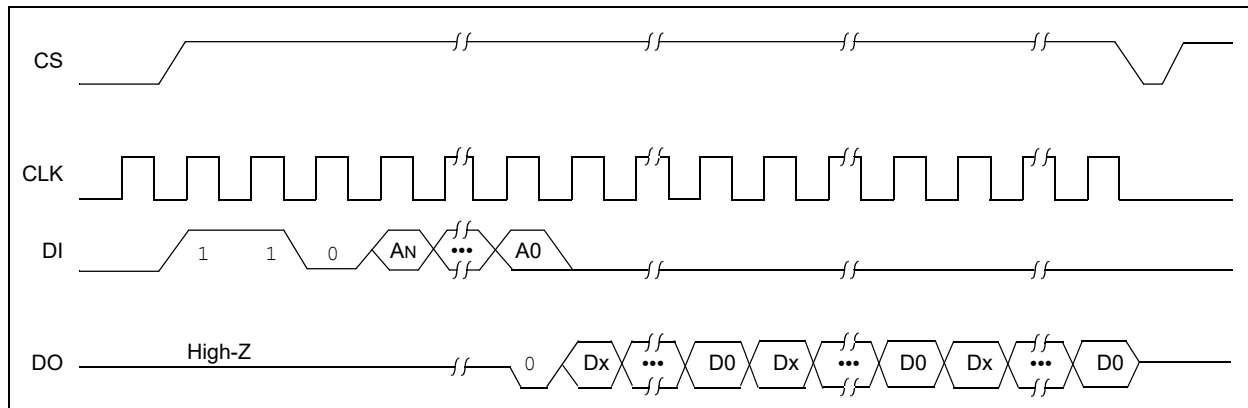


## 2.7 Read

The READ instruction outputs the serial data of the addressed memory location on the DO pin. A dummy zero bit precedes the 8-bit (If ORG pin is low or A-version devices) or 16-bit (If ORG pin is high or B-version devices) output string.

The output data bits will toggle on the rising edge of the CLK and are stable after the specified time delay (TPD). Sequential read is possible when CS is held high. The memory data will automatically cycle to the next register and output sequentially.

FIGURE 2-5: READ TIMING





# 93AA76A/B/C, 93LC76A/B/C, 93C76A/B/C

## 2.8 Write

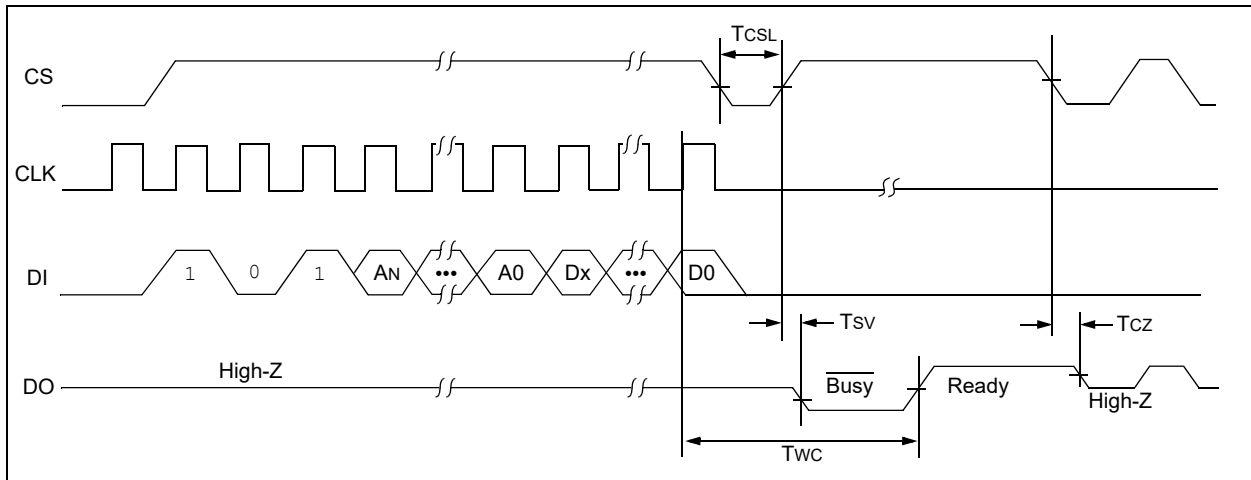
The WRITE instruction is followed by 8 bits (if ORG is low or A-version devices) or 16 bits (if ORG pin is high or B-version devices) of data which are written into the specified address. The self-timed auto-erase and programming cycle is initiated by the rising edge of CLK on the last data bit.

The DO pin indicates the Ready/ $\overline{\text{Busy}}$  status of the device, if CS is brought high after a minimum of 250 ns low ( $T_{\text{CSL}}$ ). DO at logical '0' indicates that programming is still in progress. DO at logical '1' indicates that the register at the specified address has been written with the data specified and the device is ready for another instruction.

**Note:** The write sequence requires a logic high signal on the PE pin prior to the rising edge of the last data bit.

**Note:** After the Write cycle is complete, issuing a Start bit and then taking CS low will clear the Ready/ $\overline{\text{Busy}}$  status from DO.

FIGURE 2-6: WRITE TIMING



# 93AA76A/B/C, 93LC76A/B/C, 93C76A/B/C

## 2.9 Write All (WRAL)

The Write All (WRAL) instruction will write the entire memory array with the data specified in the command. The self-timed auto-erase and programming cycle is initiated by the rising edge of CLK on the last data bit. Clocking of the CLK pin is not necessary after the device has entered the WRAL cycle. The WRAL command includes an automatic ERAL cycle for the device, so the WRAL instruction does not require an ERAL instruction. However, the chip must be in the EWEN status.

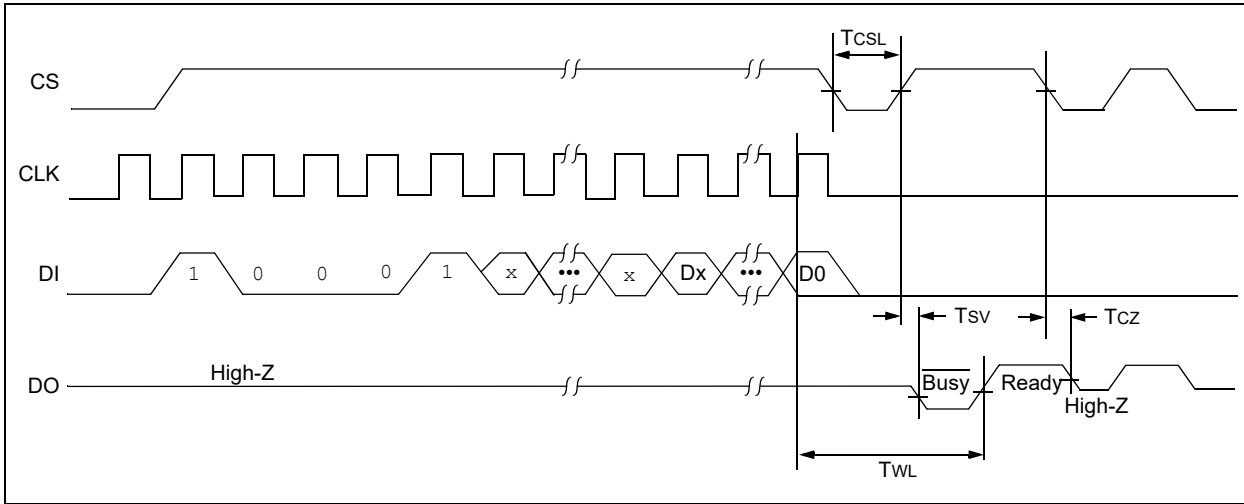
The DO pin indicates the Ready/Busy status of the device if CS is brought high after a minimum of 250 ns low (TCSL).

**Note:** The write sequence requires a logic high signal on the PE pin prior to the rising edge of the last data bit.

**Note:** After the Write All cycle is complete, issuing a Start bit and then taking CS low will clear the Ready/Busy status from DO.

VCC must be  $\geq 4.5V$  for proper operation of WRAL.

FIGURE 2-7: WRAL TIMING



# 93AA76A/B/C, 93LC76A/B/C, 93C76A/B/C

## 3.0 PIN DESCRIPTIONS

TABLE 3-1: PIN DESCRIPTIONS

| Name | PDIP | SOIC | TSSOP | MSOP | DFN <sup>(1)</sup> | TDFN <sup>(1)</sup> | SOT-23 | Function                        |
|------|------|------|-------|------|--------------------|---------------------|--------|---------------------------------|
| CS   | 1    | 1    | 1     | 1    | 1                  | 1                   | 5      | Chip Select                     |
| CLK  | 2    | 2    | 2     | 2    | 2                  | 2                   | 4      | Serial Clock                    |
| DI   | 3    | 3    | 3     | 3    | 3                  | 3                   | 3      | Data In                         |
| DO   | 4    | 4    | 4     | 4    | 4                  | 4                   | 1      | Data Out                        |
| Vss  | 5    | 5    | 5     | 5    | 5                  | 5                   | 2      | Ground                          |
| ORG  | 6    | 6    | 6     | 6    | 6                  | 6                   | —      | Organization/<br>93XX76C only   |
| PE   | 7    | 7    | 7     | 7    | 7                  | 7                   | —      | Program Enable/<br>93XX76C only |
| Vcc  | 8    | 8    | 8     | 8    | 8                  | 8                   | 6      | Power Supply                    |

**Note 1:** The exposed pad on the DFN/TDFN package may be connected to Vss or left floating.

### 3.1 Chip Select (CS)

A high level selects the device; a low level deselects the device and forces it into Standby mode. However, a programming cycle that is already in progress will be completed, regardless of the Chip Select (CS) input signal. If CS is brought low during a program cycle, the device will go into Standby mode as soon as the programming cycle is completed.

CS must be low for 250 ns minimum ( $T_{CSSL}$ ) between consecutive instructions. If CS is low, the internal control logic is held in a Reset status.

### 3.2 Serial Clock (CLK)

The Serial Clock is used to synchronize the communication between a host device and the 93XX series device. Opcodes, address and data bits are clocked in on the positive edge of CLK. Data bits are also clocked out on the positive edge of CLK.

CLK can be stopped anywhere in the transmission sequence (at high or low-level) and can be continued anytime with respect to Clock High Time ( $T_{CKH}$ ) and Clock Low Time ( $T_{CKL}$ ). This gives the controlling host freedom in preparing opcode, address and data.

CLK is a “don’t care” if CS is low (device deselected). If CS is high, but the Start condition has not been detected ( $DI = 0$ ), any number of clock cycles can be received by the device without changing its status (i.e., waiting for a Start condition).

CLK cycles are not required during the self-timed write (i.e., auto erase/write) cycle.

After detection of a Start condition the specified number of clock cycles (respectively, low-to-high transitions of CLK) must be provided. These clock cycles are required to clock in all required opcode, address and

data bits before an instruction is executed. CLK and DI then become “don’t care” inputs waiting for a new Start condition to be detected.

### 3.3 Data In (DI)

Data In (DI) is used to clock in a Start bit, opcode, address and data synchronously with the CLK input.

### 3.4 Data Out (DO)

Data Out (DO) is used in the Read mode to output data synchronously with the CLK input ( $T_{PD}$  after the positive edge of CLK).

This pin also provides Ready/ $\overline{\text{Busy}}$  status information during erase and write cycles. Ready/ $\overline{\text{Busy}}$  status information is available on the DO pin if CS is brought high after being low for minimum Chip Select Low Time ( $T_{CSSL}$ ) and an erase or write operation has been initiated.

The Status signal is not available on DO, if CS is held low during the entire erase or write cycle. In this case, DO is in the High-Z mode. If status is checked after the erase/write cycle, the data line will be high to indicate the device is ready.

**Note:** After a programming cycle is complete, issuing a Start bit and then taking CS low will clear the Ready/ $\overline{\text{Busy}}$  status from DO.

### 3.5 Organization (ORG)

When the ORG pin is connected to Vcc or logic high, the (x16) memory organization is selected. When the ORG pin is tied to Vss or logic low, the (x8) memory organization is selected. For proper operation, ORG must be tied to a valid logic level.

93XX76A devices are always (x8) organization and 93XX76B devices are always (x16) organization.

# 93AA76A/B/C, 93LC76A/B/C, 93C76A/B/C

---

## 3.6 Program Enable (PE)

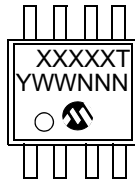
This pin allows the user to enable or disable the ability to write data to the memory array. If the PE pin is tied to Vcc, the device can be programmed. If the PE pin is tied to Vss, programming will be inhibited. This pin cannot be floated – it must be tied to Vcc or Vss. PE is not available on 93XX76A or 93XX76B. On those devices, programming is always enabled.

# 93AA76A/B/C, 93LC76A/B/C, 93C76A/B/C

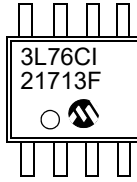
## 4.0 PACKAGING INFORMATION

### 4.1 Package Marking Information

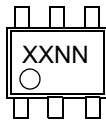
8-Lead MSOP (150 mil)



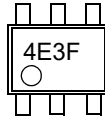
Example:



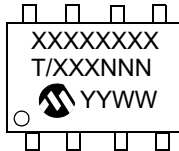
6-Lead SOT-23



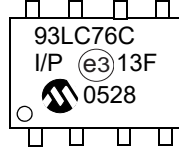
Example:



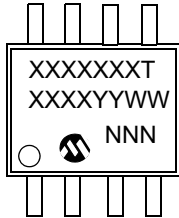
8-Lead PDIP



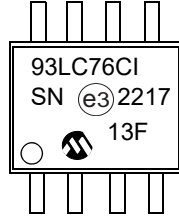
Example:



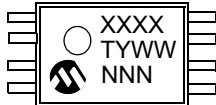
8-Lead SOIC



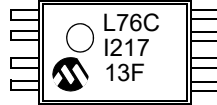
Example:



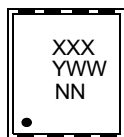
8-Lead TSSOP



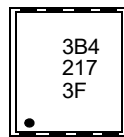
Example:



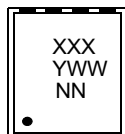
8-Lead 2x3 DFN



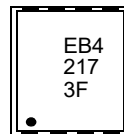
Example:



8-Lead 2x3 TDFN



Example:



# 93AA76A/B/C, 93LC76A/B/C, 93C76A/B/C

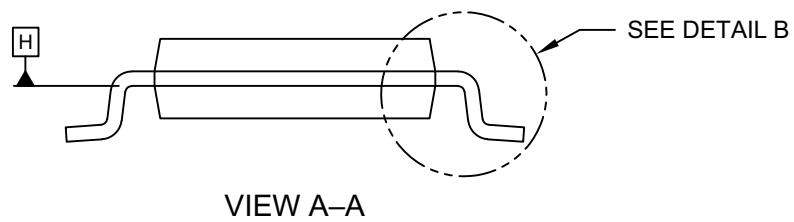
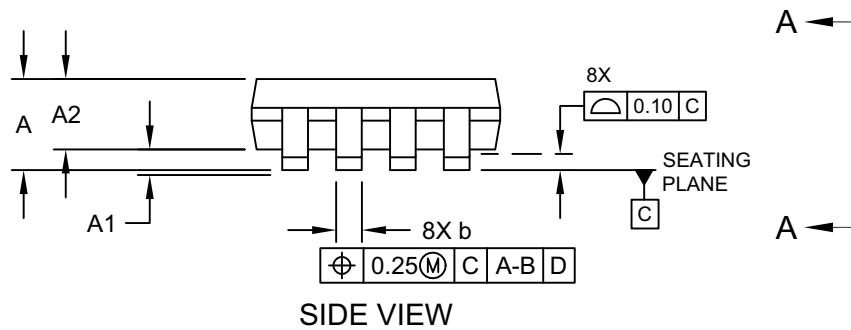
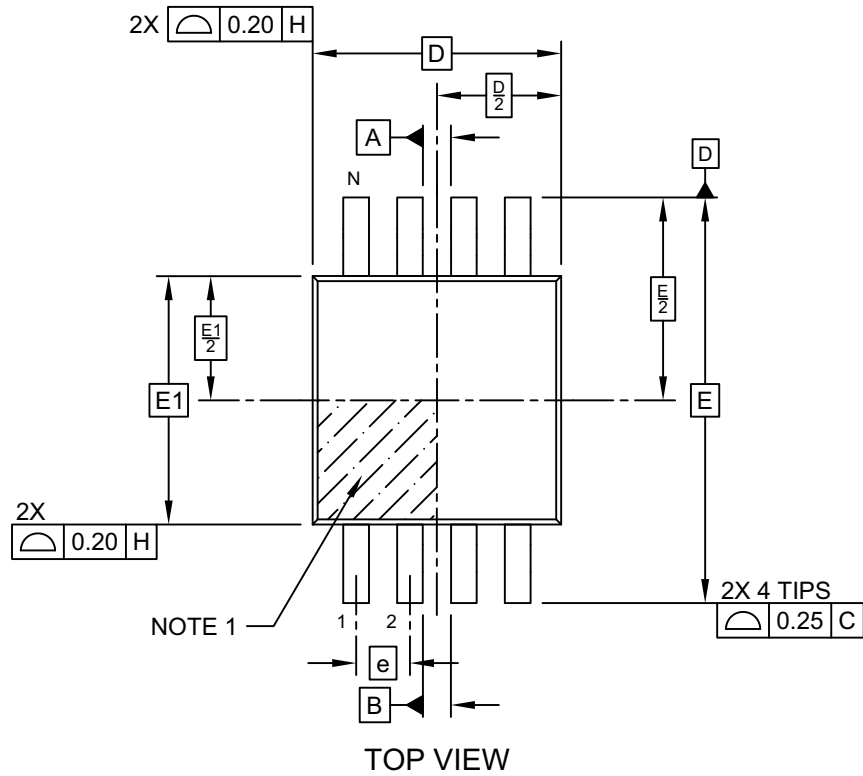
| Part Number | 1st Line Marking Codes |        |         |         |         |         |         |         |
|-------------|------------------------|--------|---------|---------|---------|---------|---------|---------|
|             | TSSOP                  | MSOP   | SOT-23  |         | DFN     |         | TDFN    |         |
|             |                        |        | I Temp. | E Temp. | I Temp. | E Temp. | I Temp. | E Temp. |
| 93AA76A     | A76A                   | 3A76AT | 4BNN    | —       | —       | —       | —       | —       |
| 93AA76B     | A76B                   | 3A76BT | 4LNN    | —       | —       | —       | —       | —       |
| 93AA76C     | A76C                   | 3A76CT | —       | —       | 3B1     | —       | EB1     | —       |
| 93LC76A     | L76A                   | 3L76AT | 4ENN    | 4FNN    | —       | —       | —       | —       |
| 93LC76B     | L76B                   | 3L76BT | 4PNN    | 4RNN    | —       | —       | —       | —       |
| 93LC76C     | L76C                   | 3L76CT | —       | —       | 3B4     | —       | EB4     | EB5     |
| 93C76A      | C76A                   | 3C76AT | 4HNN    | 4JNN    | —       | —       | —       | —       |
| 93C76B      | C76B                   | 3C76BT | 4TNN    | 4UNN    | —       | —       | —       | —       |
| 93C76C      | C76C                   | 3C76CT | —       | —       | 3B7     | —       | EB7     | EB8     |

|   |
|---|
| <p><b>Legend:</b> XX...X Part number or part number code<br/> T Temperature (I, E)<br/> Y Year code (last digit of calendar year)<br/> YY Year code (last 2 digits of calendar year)<br/> WW Week code (week of January 1 is week '01')<br/> NNN Alphanumeric traceability code (2 characters for small packages)<br/> Ⓔ3 RoHS-compliant JEDEC® designator for Matte Tin (Sn)</p> |
| <p><b>Note:</b> For very small packages with no room for the RoHS-compliant JEDEC® designator Ⓔ3, the marking will only appear on the outer carton or reel label.</p>   |
| <p><b>Note:</b> In the event the full Microchip part number cannot be marked on one line, it will be carried over to the next line, thus limiting the number of available characters for customer-specific information.</p>   |

# 93AA76A/B/C, 93LC76A/B/C, 93C76A/B/C

## 8-Lead Plastic Micro Small Outline Package (MS) - 3x3 mm Body [MSOP]

**Note:** For the most current package drawings, please see the Microchip Packaging Specification located at <http://www.microchip.com/packaging>

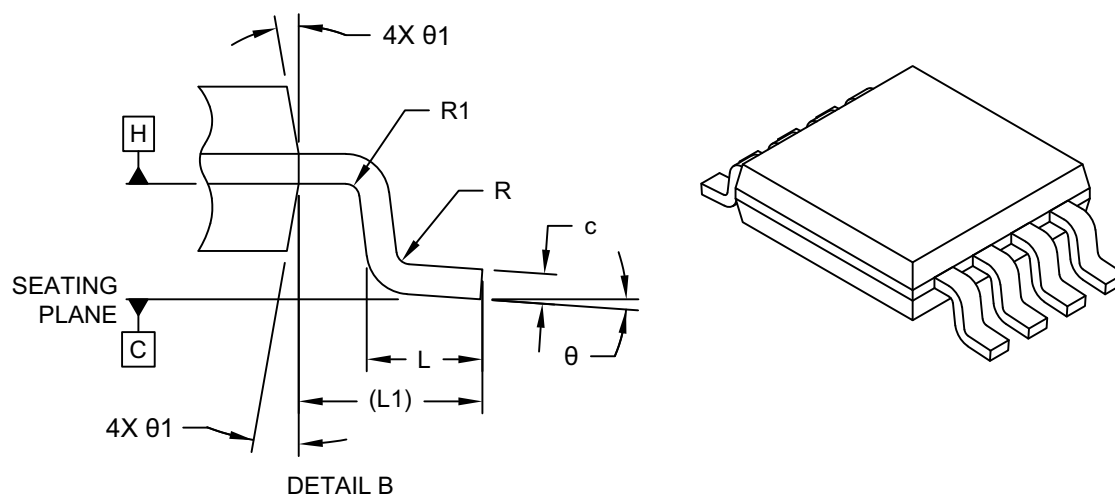


Microchip Technology Drawing C04-111-MS Rev D Sheet 1 of 2

# 93AA76A/B/C, 93LC76A/B/C, 93C76A/B/C

## 8-Lead Plastic Micro Small Outline Package (MS) - 3x3 mm Body [MSOP]

**Note:** For the most current package drawings, please see the Microchip Packaging Specification located at <http://www.microchip.com/packaging>



| Dimension                | Units | MILLIMETERS |      |      |
|--------------------------|-------|-------------|------|------|
|                          |       | MIN         | NOM  | MAX  |
| Number of Terminals      | N     | 8           |      |      |
| Pitch                    | e     | 0.65 BSC    |      |      |
| Overall Height           | A     | –           | –    | 1.10 |
| Standoff                 | A1    | 0.00        | –    | 0.15 |
| Molded Package Thickness | A2    | 0.75        | 0.85 | 0.95 |
| Overall Length           | D     | 3.00 BSC    |      |      |
| Overall Width            | E     | 4.90 BSC    |      |      |
| Molded Package Width     | E1    | 3.00 BSC    |      |      |
| Terminal Width           | b     | 0.22        | –    | 0.40 |
| Terminal Thickness       | c     | 0.08        | –    | 0.23 |
| Terminal Length          | L     | 0.40        | 0.60 | 0.80 |
| Footprint                | L1    | 0.95 REF    |      |      |
| Lead Bend Radius         | R     | 0.07        | –    | –    |
| Lead Bend Radius         | R1    | 0.07        | –    | –    |
| Foot Angle               | θ     | 0°          | –    | 8°   |
| Mold Draft Angle         | θ1    | 5°          | –    | 15°  |

**Notes:**

- Pin 1 visual index feature may vary, but must be located within the hatched area.
- Dimensions D and E1 do not include mold flash or protrusions. Mold flash or protrusions shall not exceed 0.15mm per side.
- Dimensioning and tolerancing per ASME Y14.5M  
 BSC: Basic Dimension. Theoretically exact value shown without tolerances.  
 REF: Reference Dimension, usually without tolerance, for information purposes only.

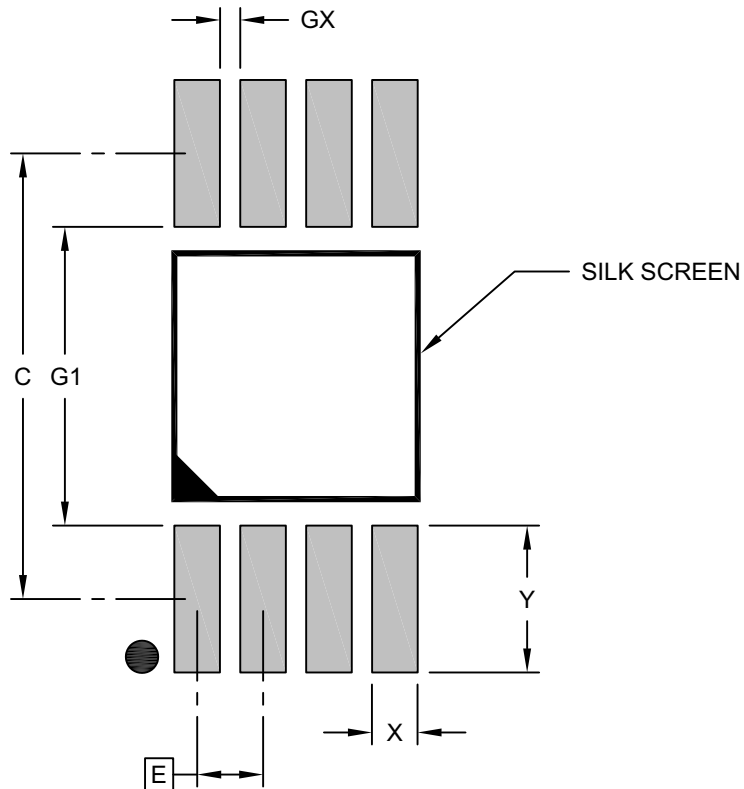
Microchip Technology Drawing C04-111-MS Rev D Sheet 2 of 2



# 93AA76A/B/C, 93LC76A/B/C, 93C76A/B/C

## 8-Lead Plastic Micro Small Outline Package (MS) - 3x3 mm Body [MSOP]

**Note:** For the most current package drawings, please see the Microchip Packaging Specification located at <http://www.microchip.com/packaging>



### RECOMMENDED LAND PATTERN

| Dimension Limits                | Units | MILLIMETERS |     |      |
|---------------------------------|-------|-------------|-----|------|
|                                 |       | MIN         | NOM | MAX  |
| Contact Pitch                   | E     | 0.65 BSC    |     |      |
| Contact Pad Spacing             | C     | 4.40        |     |      |
| Contact Pad Width (X8)          | X     |             |     | 0.45 |
| Contact Pad Length (X8)         | Y     |             |     | 1.45 |
| Contact Pad to Contact Pad (X4) | G1    | 2.95        |     |      |
| Contact Pad to Contact Pad (X6) | GX    | 0.20        |     |      |

**Notes:**

1. Dimensioning and tolerancing per ASME Y14.5M

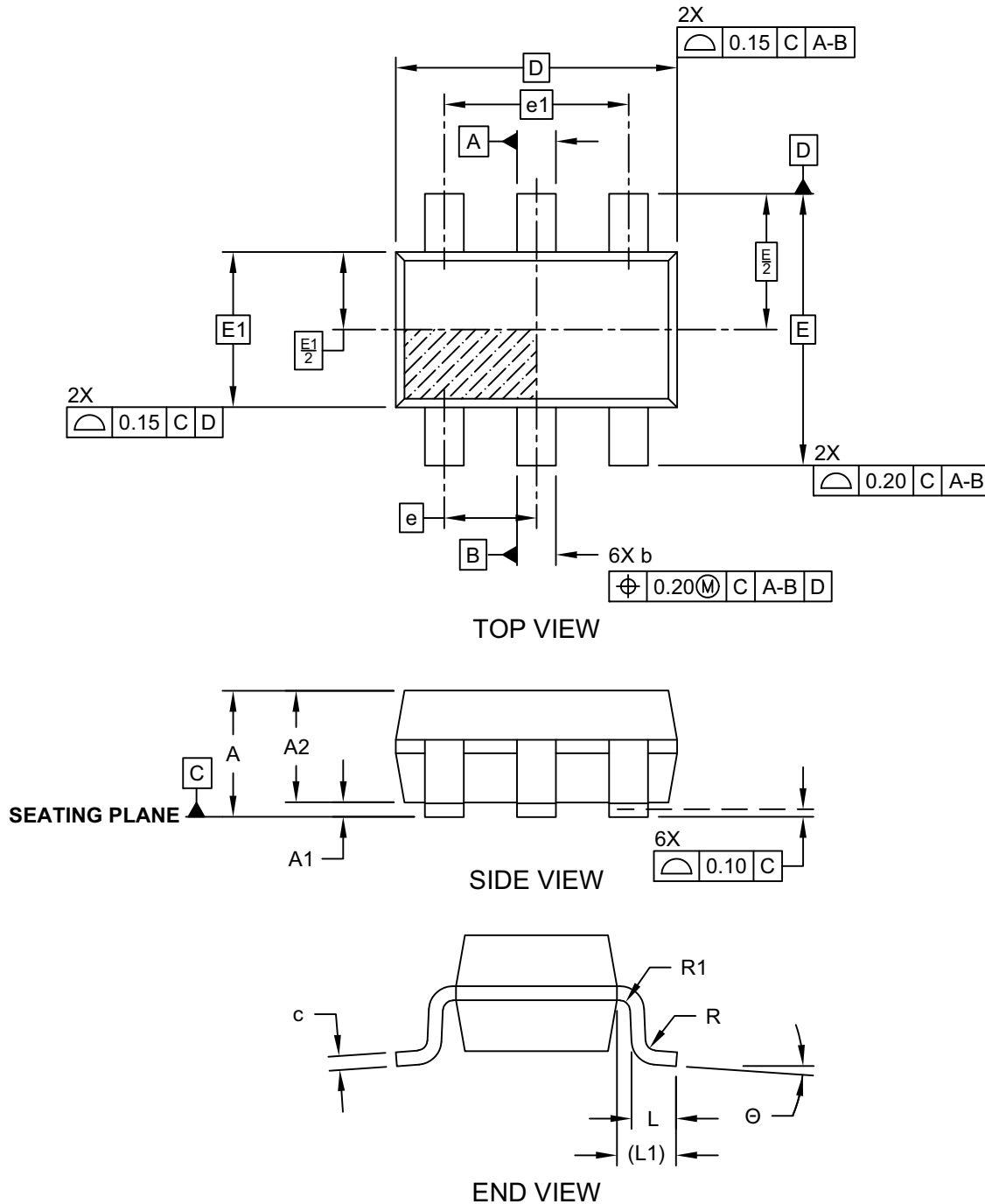
BSC: Basic Dimension. Theoretically exact value shown without tolerances.

Microchip Technology Drawing C04-2111-MS Rev D

# 93AA76A/B/C, 93LC76A/B/C, 93C76A/B/C

## 6-Lead Plastic Small Outline Transistor (OT) [SOT-23]

**Note:** For the most current package drawings, please see the Microchip Packaging Specification located at <http://www.microchip.com/packaging>

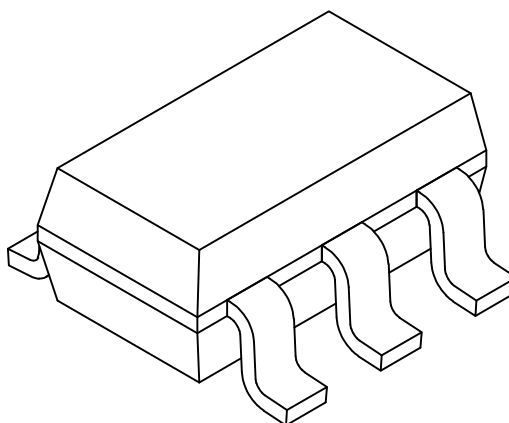


Microchip Technology Drawing C04-028D (OT) Sheet 1 of 2

# 93AA76A/B/C, 93LC76A/B/C, 93C76A/B/C

## 6-Lead Plastic Small Transistor (OT) [SOT-23]

**Note:** For the most current package drawings, please see the Microchip Packaging Specification located at <http://www.microchip.com/packaging>



| Dimension Limits         | Units  | MILLIMETERS |      |      |
|--------------------------|--------|-------------|------|------|
|                          |        | MIN         | NOM  | MAX  |
| Number of Leads          | N      | 6           |      |      |
| Pitch                    | e      | 0.95 BSC    |      |      |
| Outside lead pitch       | e1     | 1.90 BSC    |      |      |
| Overall Height           | A      | 0.90        | -    | 1.45 |
| Molded Package Thickness | A2     | 0.89        | 1.15 | 1.30 |
| Standoff                 | A1     | 0.00        | -    | 0.15 |
| Overall Width            | E      | 2.80 BSC    |      |      |
| Molded Package Width     | E1     | 1.60 BSC    |      |      |
| Overall Length           | D      | 2.90 BSC    |      |      |
| Foot Length              | L      | 0.30        | 0.45 | 0.60 |
| Footprint                | L1     | 0.60 REF    |      |      |
| Foot Angle               | $\phi$ | 0°          | -    | 10°  |
| Lead Thickness           | c      | 0.08        | -    | 0.26 |
| Lead Width               | b      | 0.20        | -    | 0.51 |

**Notes:**

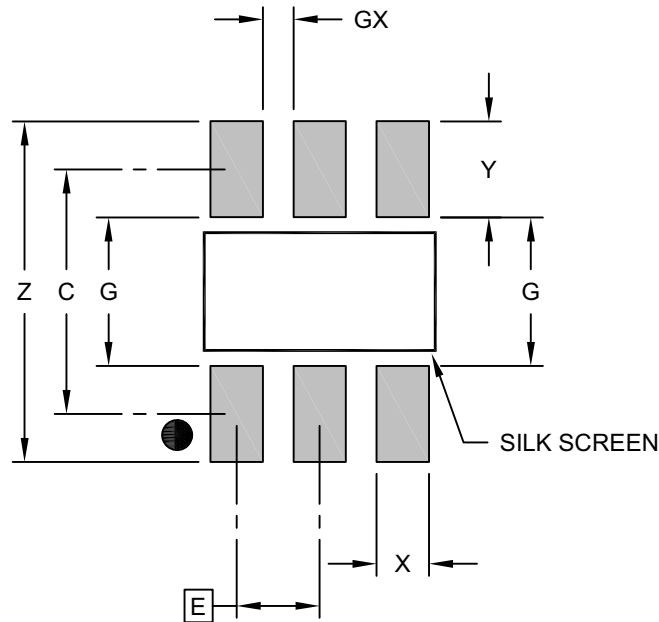
- Dimensions D and E1 do not include mold flash or protrusions. Mold flash or protrusions shall not exceed 0.25mm per side.
- Dimensioning and tolerancing per ASME Y14.5M  
BSC: Basic Dimension. Theoretically exact value shown without tolerances.  
REF: Reference Dimension, usually without tolerance, for information purposes only.

Microchip Technology Drawing C04-028D (OT) Sheet 2 of 2

# 93AA76A/B/C, 93LC76A/B/C, 93C76A/B/C

## 6-Lead Plastic Small Transistor (OT) [SOT-23]

**Note:** For the most current package drawings, please see the Microchip Packaging Specification located at <http://www.microchip.com/packaging>



RECOMMENDED LAND PATTERN

| Dimension Limits        | Units | MILLIMETERS |      |      |
|-------------------------|-------|-------------|------|------|
|                         |       | MIN         | NOM  | MAX  |
| Contact Pitch           | E     | 0.95 BSC    |      |      |
| Contact Pad Spacing     | C     |             | 2.80 |      |
| Contact Pad Width (X3)  | X     |             |      | 0.60 |
| Contact Pad Length (X3) | Y     |             |      | 1.10 |
| Distance Between Pads   | G     | 1.70        |      |      |
| Distance Between Pads   | GX    | 0.35        |      |      |
| Overall Width           | Z     |             |      | 3.90 |

**Notes:**

1. Dimensioning and tolerancing per ASME Y14.5M

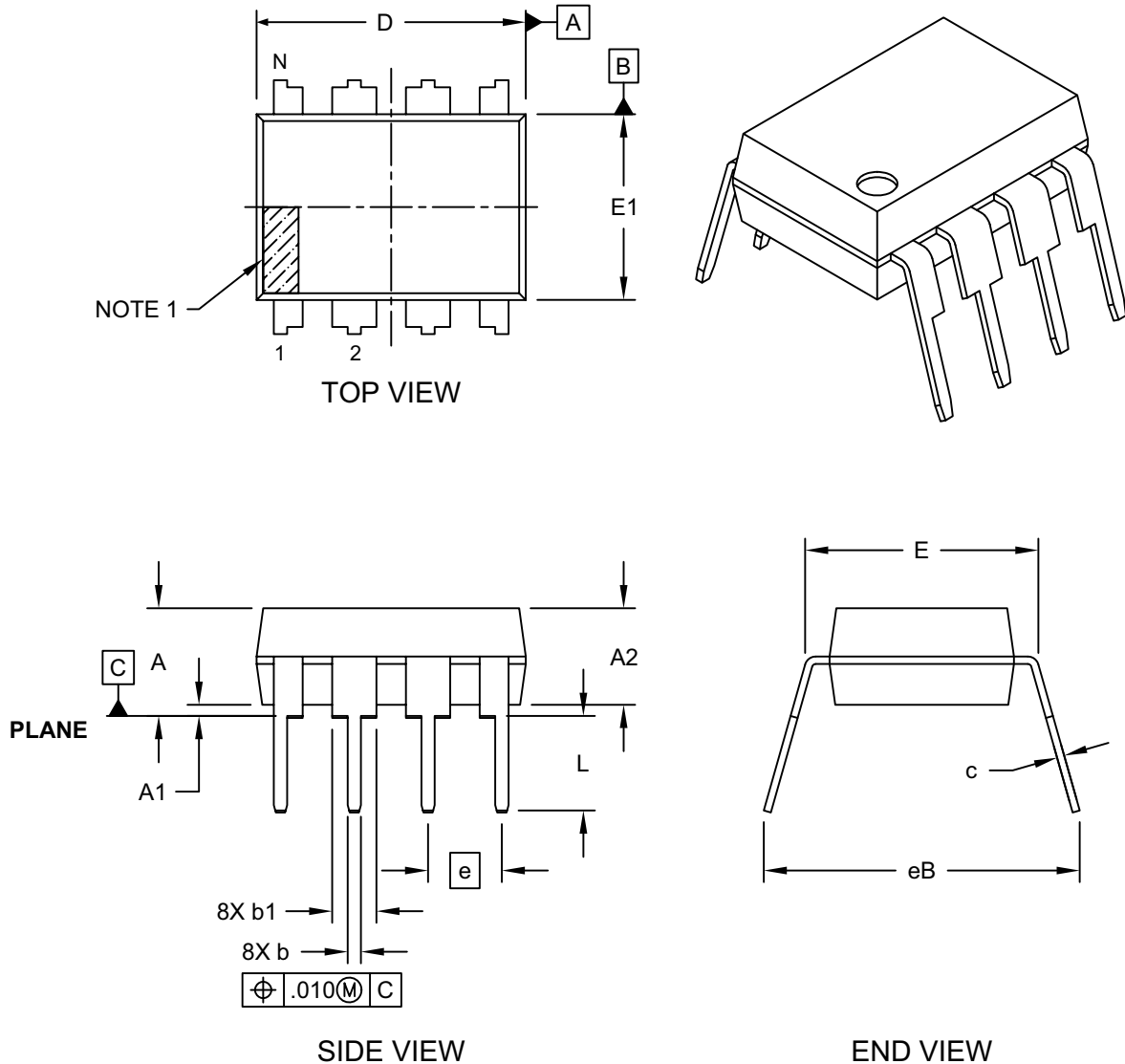
BSC: Basic Dimension. Theoretically exact value shown without tolerances.

Microchip Technology Drawing No. C04-2028D (OT)

# 93AA76A/B/C, 93LC76A/B/C, 93C76A/B/C

## 8-Lead Plastic Dual In-Line (P) - 300 mil Body [PDIP]

**Note:** For the most current package drawings, please see the Microchip Packaging Specification located at <http://www.microchip.com/packaging>



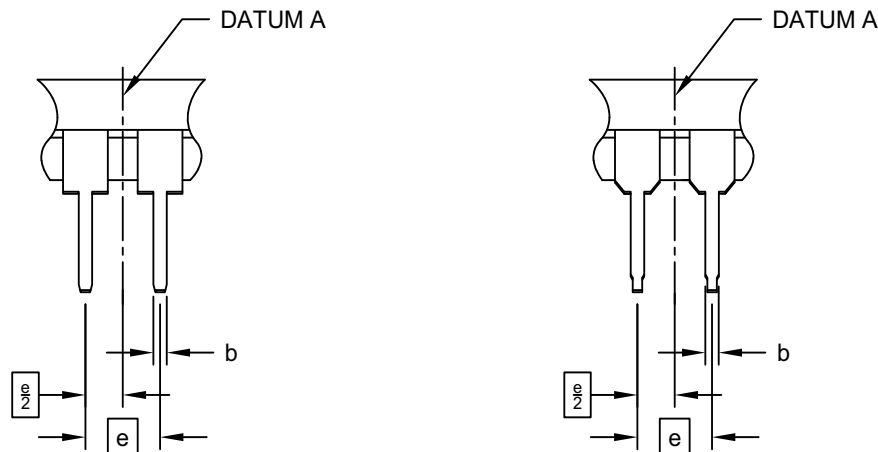
Microchip Technology Drawing No. C04-018-P Rev F Sheet 1 of 2

# 93AA76A/B/C, 93LC76A/B/C, 93C76A/B/C

## 8-Lead Plastic Dual In-Line (P) - 300 mil Body [PDIP]

**Note:** For the most current package drawings, please see the Microchip Packaging Specification located at <http://www.microchip.com/packaging>

### ALTERNATE LEAD DESIGN (NOTE 5)



|                            |      | Units | INCHES   |      |      |
|----------------------------|------|-------|----------|------|------|
| Dimension Limits           |      |       | MIN      | NOM  | MAX  |
| Number of Pins             | N    |       | 8        |      |      |
| Pitch                      | e    |       | .100 BSC |      |      |
| Top to Seating Plane       | A    | -     | -        | -    | .210 |
| Molded Package Thickness   | A2   | .115  | .130     | .195 |      |
| Base to Seating Plane      | A1   | .015  | -        | -    |      |
| Shoulder to Shoulder Width | E    | .290  | .310     | .325 |      |
| Molded Package Width       | E1   | .240  | .250     | .280 |      |
| Overall Length             | D    | .348  | .365     | .400 |      |
| Tip to Seating Plane       | L    | .115  | .130     | .150 |      |
| Lead Thickness             | c    | .008  | .010     | .015 |      |
| Upper Lead Width           | b1   | .040  | .060     | .070 |      |
| Lower Lead Width           | b    | .014  | .018     | .022 |      |
| Overall Row Spacing        | § eB | -     | -        | .430 |      |

#### Notes:

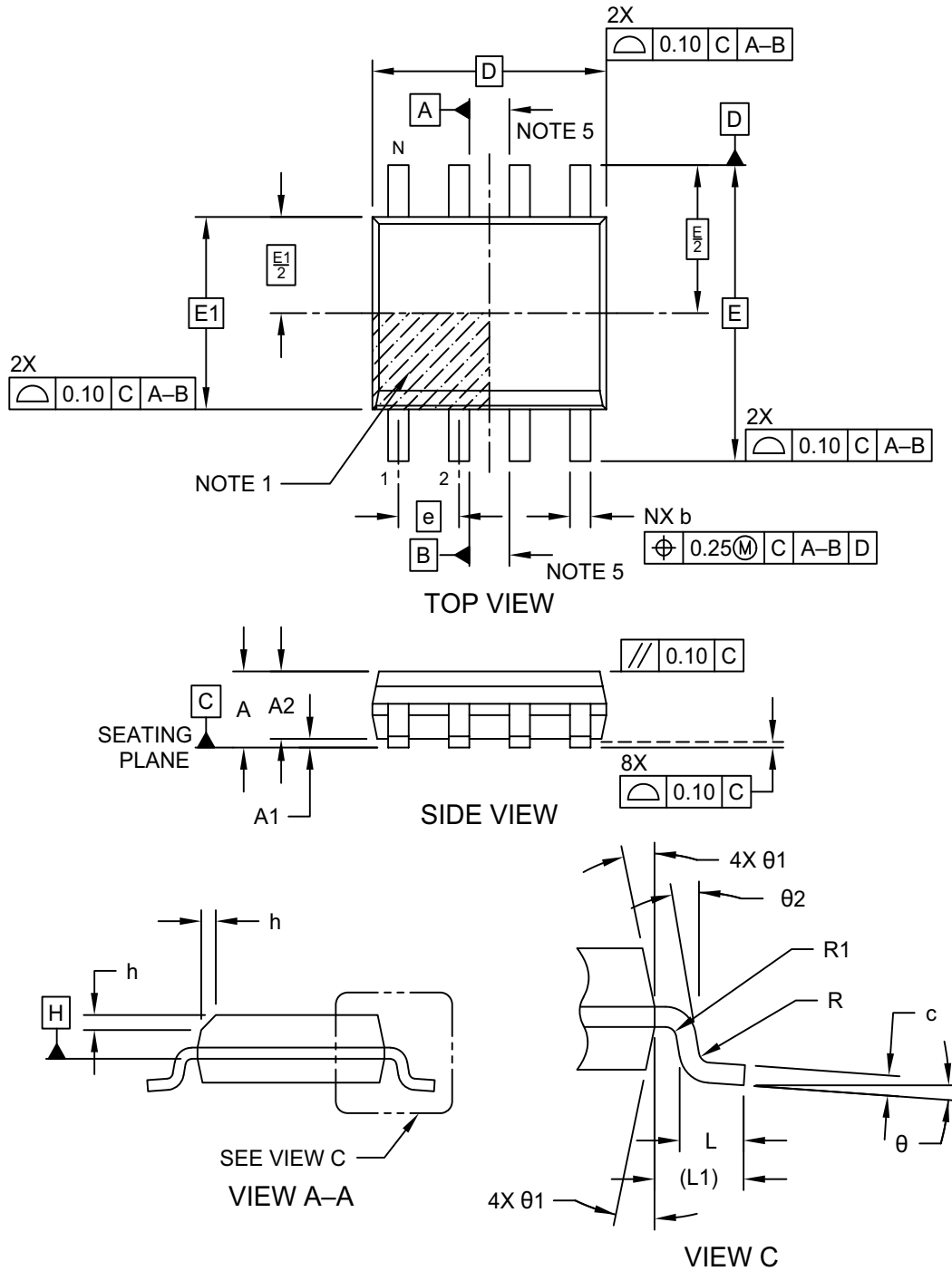
- Pin 1 visual index feature may vary, but must be located within the hatched area.
- § Significant Characteristic
- Dimensions D and E1 do not include mold flash or protrusions. Mold flash or protrusions shall not exceed .010" per side.
- Dimensioning and tolerancing per ASME Y14.5M  
BSC: Basic Dimension. Theoretically exact value shown without tolerances.
- Lead design above seating plane may vary, based on assembly vendor.

Microchip Technology Drawing No. C04-018-P Rev F Sheet 2 of 2

# 93AA76A/B/C, 93LC76A/B/C, 93C76A/B/C

## 8-Lead Plastic Small Outline (SN) - Narrow, 3.90 mm (.150 In.) Body [SOIC]

**Note:** For the most current package drawings, please see the Microchip Packaging Specification located at <http://www.microchip.com/packaging>

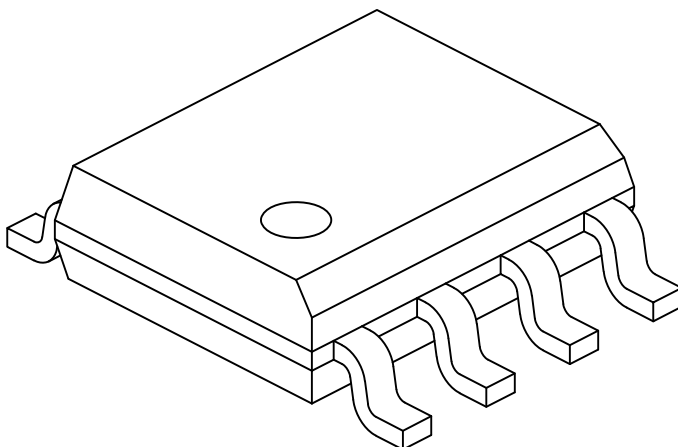


Microchip Technology Drawing No. C04-057-SN Rev J Sheet 1 of 2

# 93AA76A/B/C, 93LC76A/B/C, 93C76A/B/C

## 8-Lead Plastic Small Outline (SN) - Narrow, 3.90 mm (.150 In.) Body [SOIC]

**Note:** For the most current package drawings, please see the Microchip Packaging Specification located at <http://www.microchip.com/packaging>



| Dimension Limits         | Units | MILLIMETERS |     |      |
|--------------------------|-------|-------------|-----|------|
|                          |       | MIN         | NOM | MAX  |
| Number of Pins           | N     | 8           |     |      |
| Pitch                    | e     | 1.27 BSC    |     |      |
| Overall Height           | A     | -           | -   | 1.75 |
| Molded Package Thickness | A2    | 1.25        | -   | -    |
| Standoff §               | A1    | 0.10        | -   | 0.25 |
| Overall Width            | E     | 6.00 BSC    |     |      |
| Molded Package Width     | E1    | 3.90 BSC    |     |      |
| Overall Length           | D     | 4.90 BSC    |     |      |
| Chamfer (Optional)       | h     | 0.25        | -   | 0.50 |
| Foot Length              | L     | 0.40        | -   | 1.27 |
| Footprint                | L1    | 1.04 REF    |     |      |
| Lead Thickness           | c     | 0.17        | -   | 0.25 |
| Lead Width               | b     | 0.31        | -   | 0.51 |
| Lead Bend Radius         | R     | 0.07        | -   | -    |
| Lead Bend Radius         | R1    | 0.07        | -   | -    |
| Foot Angle               | θ     | 0°          | -   | 8°   |
| Mold Draft Angle         | θ1    | 5°          | -   | 15°  |
| Lead Angle               | θ2    | 0°          | -   | 8°   |

**Notes:**

1. Pin 1 visual index feature may vary, but must be located within the hatched area.
2. § Significant Characteristic
3. Dimensions D and E1 do not include mold flash or protrusions. Mold flash or protrusions shall not exceed 0.15mm per side.
4. Dimensioning and tolerancing per ASME Y14.5M  
BSC: Basic Dimension. Theoretically exact value shown without tolerances.  
REF: Reference Dimension, usually without tolerance, for information purposes only.
5. Datums A & B to be determined at Datum H.

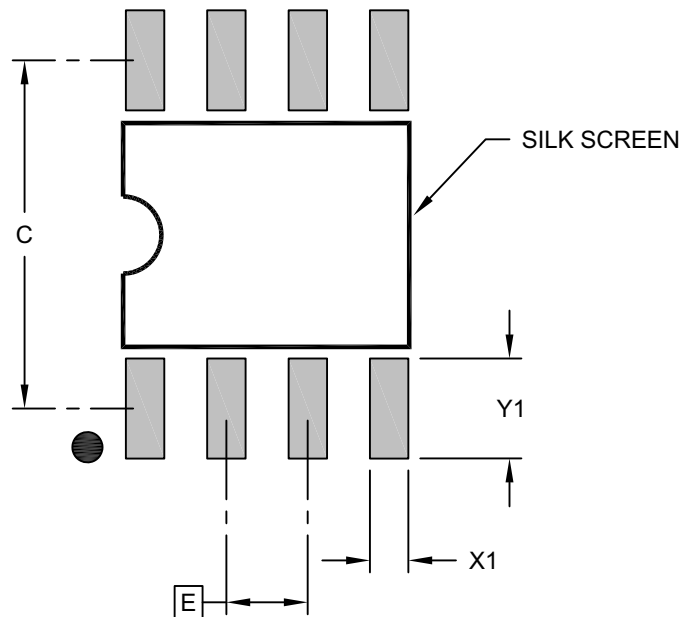
Microchip Technology Drawing No. C04-057-SN Rev J Sheet 2 of 2



# 93AA76A/B/C, 93LC76A/B/C, 93C76A/B/C

## 8-Lead Plastic Small Outline (SN) - Narrow, 3.90 mm (.150 In.) Body [SOIC]

**Note:** For the most current package drawings, please see the Microchip Packaging Specification located at <http://www.microchip.com/packaging>



RECOMMENDED LAND PATTERN

| Dimension Limits        | Units | MILLIMETERS |      |      |
|-------------------------|-------|-------------|------|------|
|                         |       | MIN         | NOM  | MAX  |
| Contact Pitch           | E     | 1.27 BSC    |      |      |
| Contact Pad Spacing     | C     |             | 5.40 |      |
| Contact Pad Width (X8)  | X1    |             |      | 0.60 |
| Contact Pad Length (X8) | Y1    |             |      | 1.55 |

Notes:

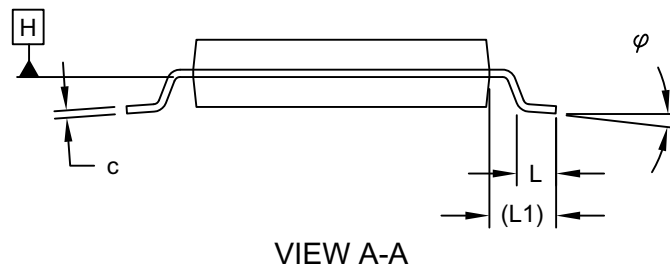
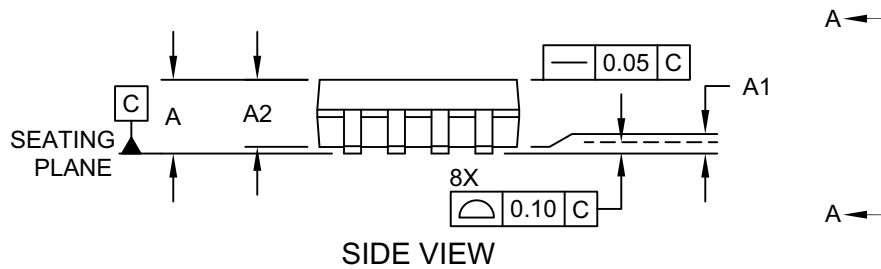
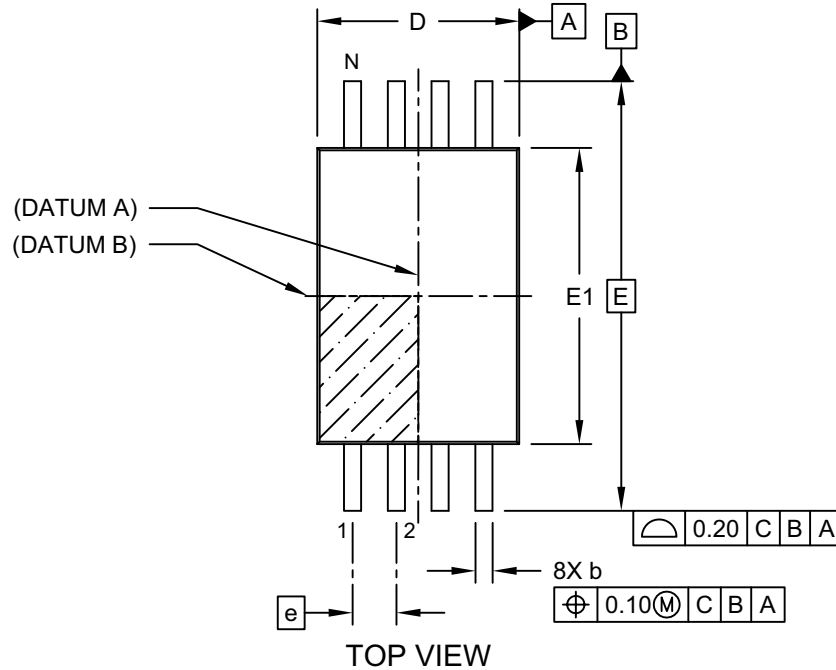
1. Dimensioning and tolerancing per ASME Y14.5M  
BSC: Basic Dimension. Theoretically exact value shown without tolerances.

Microchip Technology Drawing C04-2057-SN Rev J

# 93AA76A/B/C, 93LC76A/B/C, 93C76A/B/C

## 8-Lead Plastic Thin Shrink Small Outline (ST) - 4.4 mm Body [TSSOP]

**Note:** For the most current package drawings, please see the Microchip Packaging Specification located at <http://www.microchip.com/packaging>

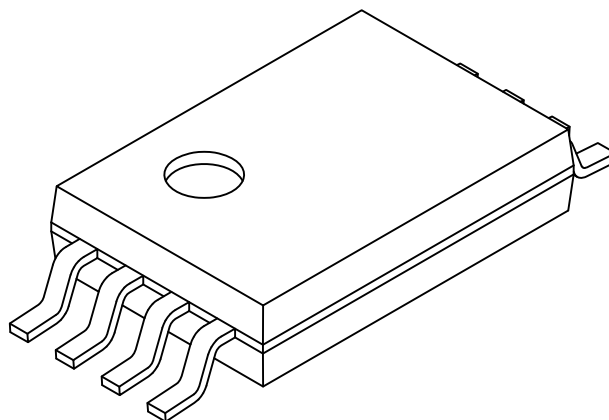


Microchip Technology Drawing C04-086 Rev C Sheet 1 of 2

# 93AA76A/B/C, 93LC76A/B/C, 93C76A/B/C

## 8-Lead Plastic Thin Shrink Small Outline (ST) - 4.4 mm Body [TSSOP]

**Note:** For the most current package drawings, please see the Microchip Packaging Specification located at <http://www.microchip.com/packaging>



| Units                    |        | MILLIMETERS |      |      |
|--------------------------|--------|-------------|------|------|
| Dimension Limits         |        | MIN         | NOM  | MAX  |
| Number of Pins           | N      | 8           |      |      |
| Pitch                    | e      | 0.65 BSC    |      |      |
| Overall Height           | A      | -           | -    | 1.20 |
| Molded Package Thickness | A2     | 0.80        | 1.00 | 1.05 |
| Standoff                 | A1     | 0.05        | -    | -    |
| Overall Width            | E      | 6.40 BSC    |      |      |
| Molded Package Width     | E1     | 4.30        | 4.40 | 4.50 |
| Overall Length           | D      | 2.90        | 3.00 | 3.10 |
| Foot Length              | L      | 0.45        | 0.60 | 0.75 |
| Footprint                | L1     | 1.00 REF    |      |      |
| Lead Thickness           | c      | 0.09        | -    | 0.25 |
| Foot Angle               | $\phi$ | 0°          | 4°   | 8°   |
| Lead Width               | b      | 0.19        | -    | 0.30 |

**Notes:**

1. Pin 1 visual index feature may vary, but must be located within the hatched area.
2. Dimensions D and E1 do not include mold flash or protrusions. Mold flash or protrusions shall not exceed 0.20mm per side.
3. Dimensioning and tolerancing per ASME Y14.5M

BSC: Basic Dimension. Theoretically exact value shown without tolerances.

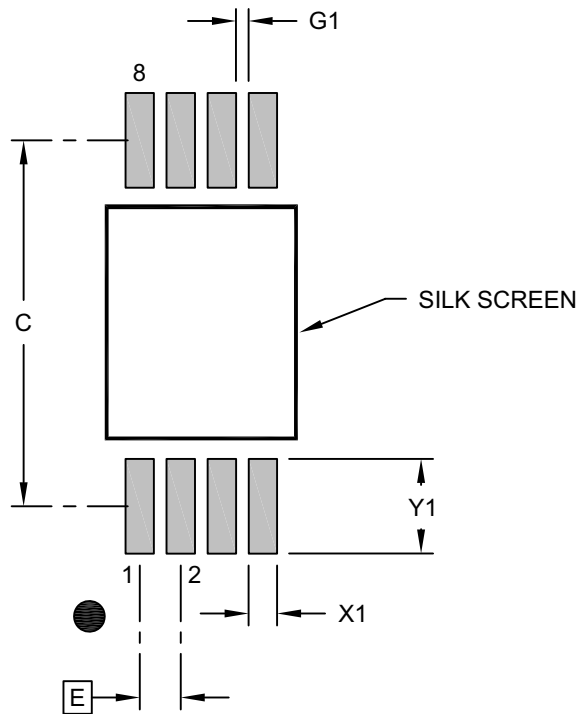
REF: Reference Dimension, usually without tolerance, for information purposes only.

Microchip Technology Drawing C04-086 Rev C Sheet 2 of 2

# 93AA76A/B/C, 93LC76A/B/C, 93C76A/B/C

## 8-Lead Plastic Thin Shrink Small Outline (ST) - 4.4 mm Body [TSSOP]

**Note:** For the most current package drawings, please see the Microchip Packaging Specification located at <http://www.microchip.com/packaging>



RECOMMENDED LAND PATTERN

| Dimension Limits               | Units | MILLIMETERS |      |      |
|--------------------------------|-------|-------------|------|------|
|                                |       | MIN         | NOM  | MAX  |
| Contact Pitch                  | E     | 0.65 BSC    |      |      |
| Contact Pad Spacing            | C     |             | 5.80 |      |
| Contact Pad Width (X8)         | X1    |             |      | 0.45 |
| Contact Pad Length (X8)        | Y1    |             |      | 1.50 |
| Contact Pad to Center Pad (X6) | G1    | 0.20        |      |      |

Notes:

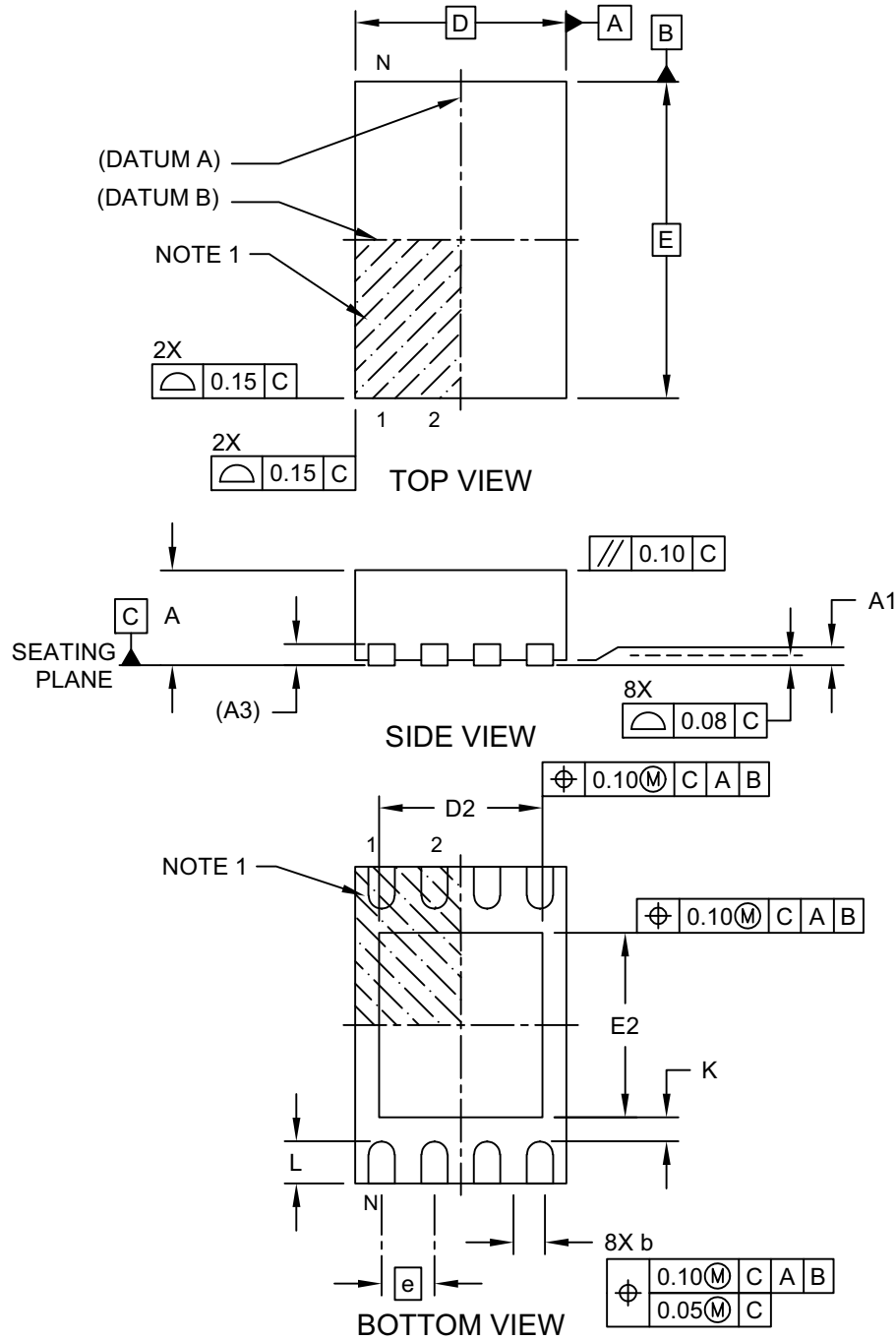
- Dimensioning and tolerancing per ASME Y14.5M  
BSC: Basic Dimension. Theoretically exact value shown without tolerances.
- For best soldering results, thermal vias, if used, should be filled or tented to avoid solder loss during reflow process

Microchip Technology Drawing C04-2086 Rev B

# 93AA76A/B/C, 93LC76A/B/C, 93C76A/B/C

## 8-Lead Plastic Dual Flat, No Lead Package (MC) - 2x3x1 mm Body [DFN]

**Note:** For the most current package drawings, please see the Microchip Packaging Specification located at <http://www.microchip.com/packaging>

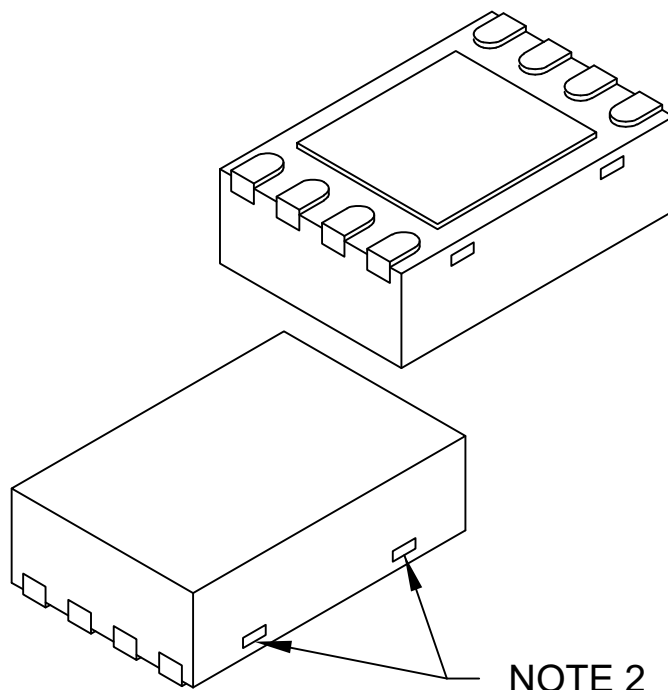


Microchip Technology Drawing C04-123 Rev E Sheet 1 of 2

# 93AA76A/B/C, 93LC76A/B/C, 93C76A/B/C

## 8-Lead Plastic Dual Flat, No Lead Package (MC) - 2x3x1 mm Body [DFN]

**Note:** For the most current package drawings, please see the Microchip Packaging Specification located at <http://www.microchip.com/packaging>



|                         |    | Units | MILLIMETERS |      |     |
|-------------------------|----|-------|-------------|------|-----|
| Dimension Limits        |    |       | MIN         | NOM  | MAX |
| Number of Terminals     | N  |       | 8           |      |     |
| Pitch                   | e  |       | 0.50 BSC    |      |     |
| Overall Height          | A  | 0.80  | 0.90        | 1.00 |     |
| Standoff                | A1 | 0.00  | 0.02        | 0.05 |     |
| Terminal Thickness      | A3 |       | 0.20 REF    |      |     |
| Overall Length          | D  |       | 2.00 BSC    |      |     |
| Exposed Pad Length      | D2 | 1.30  | -           | 1.55 |     |
| Overall Width           | E  |       | 3.00 BSC    |      |     |
| Exposed Pad Width       | E2 | 1.50  | -           | 1.75 |     |
| Terminal Width          | b  | 0.20  | 0.25        | 0.30 |     |
| Terminal Length         | L  | 0.30  | 0.40        | 0.50 |     |
| Terminal-to-Exposed-Pad | K  | 0.20  | -           | -    |     |

Notes:

1. Pin 1 visual index feature may vary, but must be located within the hatched area.
2. Package may have one or more exposed tie bars at ends.
3. Package is saw singulated
4. Dimensioning and tolerancing per ASME Y14.5M

BSC: Basic Dimension. Theoretically exact value shown without tolerances.

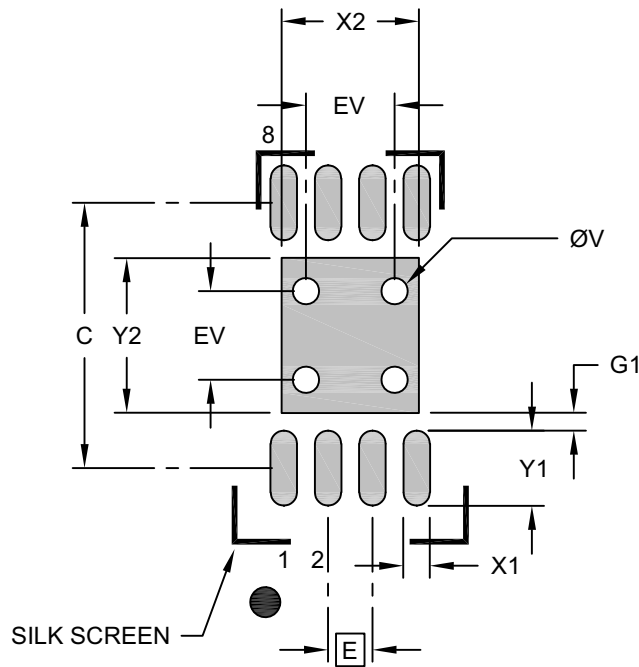
REF: Reference Dimension, usually without tolerance, for information purposes only.

Microchip Technology Drawing C04-123 Rev E Sheet 2 of 2

# 93AA76A/B/C, 93LC76A/B/C, 93C76A/B/C

## 8-Lead Plastic Dual Flat, No Lead Package (MC) - 2x3x1 mm Body [DFN]

**Note:** For the most current package drawings, please see the Microchip Packaging Specification located at <http://www.microchip.com/packaging>



### RECOMMENDED LAND PATTERN

| Dimension Limits               | Units | MILLIMETERS |      |      |
|--------------------------------|-------|-------------|------|------|
|                                |       | MIN         | NOM  | MAX  |
| Contact Pitch                  | E     | 0.50 BSC    |      |      |
| Optional Center Pad Width      | X2    |             |      | 1.55 |
| Optional Center Pad Length     | Y2    |             |      | 1.75 |
| Contact Pad Spacing            | C     |             | 3.00 |      |
| Contact Pad Width (X8)         | X1    |             |      | 0.30 |
| Contact Pad Length (X8)        | Y1    |             |      | 0.85 |
| Contact Pad to Center Pad (X8) | G1    | 0.20        |      |      |
| Thermal Via Diameter           | V     |             | 0.30 |      |
| Thermal Via Pitch              | EV    |             | 1.00 |      |

**Notes:**

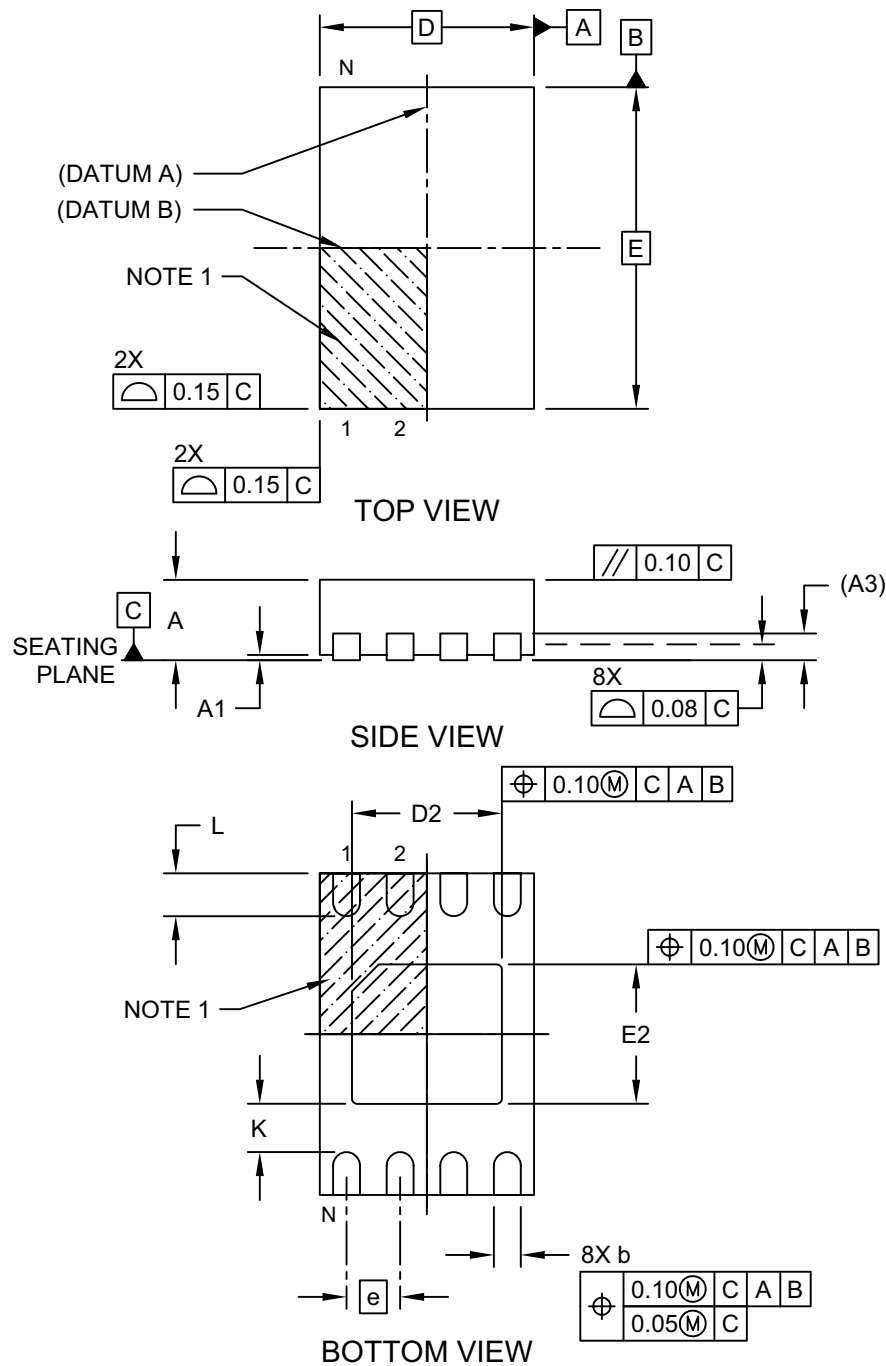
- Dimensioning and tolerancing per ASME Y14.5M  
BSC: Basic Dimension. Theoretically exact value shown without tolerances.
- For best soldering results, thermal vias, if used, should be filled or tented to avoid solder loss during reflow process

Microchip Technology Drawing C04-2123 Rev E

# 93AA76A/B/C, 93LC76A/B/C, 93C76A/B/C

## 8-Lead Plastic Dual Flat, No Lead Package (MN) – 2x3x0.8 mm Body [TDFN] With 1.4x1.3 mm Exposed Pad (JEDEC Package type WDFN)

**Note:** For the most current package drawings, please see the Microchip Packaging Specification located at <http://www.microchip.com/packaging>



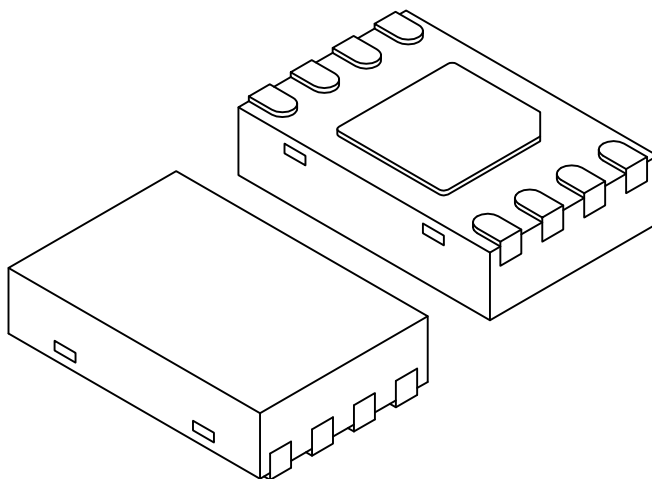
Microchip Technology Drawing No. C04-129-MN Rev E Sheet 1 of 2



# 93AA76A/B/C, 93LC76A/B/C, 93C76A/B/C

## 8-Lead Plastic Dual Flat, No Lead Package (MN) – 2x3x0.8 mm Body [TDFN] With 1.4x1.3 mm Exposed Pad (JEDEC Package type WDFN)

**Note:** For the most current package drawings, please see the Microchip Packaging Specification located at <http://www.microchip.com/packaging>



| Units                  |    | MILLIMETERS |      |      |
|------------------------|----|-------------|------|------|
|                        |    | MIN         | NOM  | MAX  |
| Number of Pins         | N  | 8           |      |      |
| Pitch                  | e  | 0.50 BSC    |      |      |
| Overall Height         | A  | 0.70        | 0.75 | 0.80 |
| Standoff               | A1 | 0.00        | 0.02 | 0.05 |
| Contact Thickness      | A3 | 0.20 REF    |      |      |
| Overall Length         | D  | 2.00 BSC    |      |      |
| Overall Width          | E  | 3.00 BSC    |      |      |
| Exposed Pad Length     | D2 | 1.35        | 1.40 | 1.45 |
| Exposed Pad Width      | E2 | 1.25        | 1.30 | 1.35 |
| Contact Width          | b  | 0.20        | 0.25 | 0.30 |
| Contact Length         | L  | 0.25        | 0.30 | 0.45 |
| Contact-to-Exposed Pad | K  | 0.20        | -    | -    |

### Notes:

1. Pin 1 visual index feature may vary, but must be located within the hatched area.
2. Package may have one or more exposed tie bars at ends.
3. Package is saw singulated
4. Dimensioning and tolerancing per ASME Y14.5M

BSC: Basic Dimension. Theoretically exact value shown without tolerances.

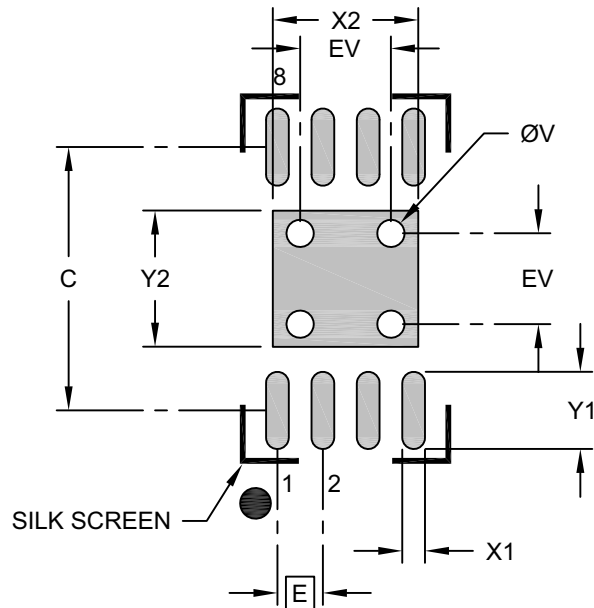
REF: Reference Dimension, usually without tolerance, for information purposes only.

Microchip Technology Drawing No. C04-129-MN Rev E Sheet 2 of 2

# 93AA76A/B/C, 93LC76A/B/C, 93C76A/B/C

## 8-Lead Plastic Dual Flat, No Lead Package (MN) – 2x3x0.8 mm Body [TDFN] With 1.4x1.3 mm Exposed Pad (JEDEC Package type WDFN)

**Note:** For the most current package drawings, please see the Microchip Packaging Specification located at <http://www.microchip.com/packaging>



RECOMMENDED LAND PATTERN

| Dimension Limits           | Units | MILLIMETERS |      |      |
|----------------------------|-------|-------------|------|------|
|                            |       | MIN         | NOM  | MAX  |
| Contact Pitch              | E     | 0.50 BSC    |      |      |
| Optional Center Pad Width  | X2    |             |      | 1.60 |
| Optional Center Pad Length | Y2    |             |      | 1.50 |
| Contact Pad Spacing        | C     |             | 2.90 |      |
| Contact Pad Width (X8)     | X1    |             |      | 0.25 |
| Contact Pad Length (X8)    | Y1    |             |      | 0.85 |
| Thermal Via Diameter       | V     |             | 0.30 |      |
| Thermal Via Pitch          | EV    |             | 1.00 |      |

**Notes:**

- Dimensioning and tolerancing per ASME Y14.5M  
BSC: Basic Dimension. Theoretically exact value shown without tolerances.
- For best soldering results, thermal vias, if used, should be filled or tented to avoid solder loss during reflow process

Microchip Technology Drawing No. C04-129-MN Rev. B

# 93AA76A/B/C, 93LC76A/B/C, 93C76A/B/C

---

---

## APPENDIX A: REVISION HISTORY

Revision B (07/2003)

### Revision N (06/2022)

Replaced terminology “Master” and “Slave” with “Host” and “Client” respectively. Updated PDIP, SOIC, TSSOP, MSOP, SOT-23, DFN and TDFN package drawings. Added Automotive Product Identification System.

Revision A (05/2003)

Initial Release.

### Revision M (04/2012)

Revised Device Selection Table; Added Note to Package Types Diagram; Revised Marking Codes Table; Revised Product ID System.

### Revision L (01/2012)

Added TDFN package.

### Revision K (5/2008)

Revised Figures 2-1, 2-2, 2-6 and 2-7; Revised Package Marking Information; Replaced Package Drawings.

### Revision J (10/2007)

Revised Device Selection Table; Revised Pin Function Table; Revised Package Types; Revised Table 3-1; Replaced Package Drawings; Revised Product ID System.

### Revision H (11/2006)

Updated Package Drawings.

### Revision G (09/2006)

Revised note in Sections 2.8 and 2.9. Replaced DFN package drawing.

### Revision F (04/2005)

Added notes throughout.

### Revision E (03/2005)

Added DFN package.

### Revision D (02/2004)

Corrections to Device Selection Table, Table 1-1, Table 1-2, Section 2.4, Section 2.5, Section 2.8 and Section 2.9. Added note to Figure 2-7.

### Revision C (12/2003)

Corrections to Section 1.0, Electrical Characteristics. Section 4.1, 6-Lead SOT-23 package to OT.

# 93AA76A/B/C, 93LC76A/B/C, 93C76A/B/C

---

## THE MICROCHIP WEBSITE

Microchip provides online support via our website at [www.microchip.com](http://www.microchip.com). This website is used as a means to make files and information easily available to customers. Accessible by using your favorite Internet browser, the website contains the following information:

- **Product Support** – Data sheets and errata, application notes and sample programs, design resources, user's guides and hardware support documents, latest software releases and archived software
- **General Technical Support** – Frequently Asked Questions (FAQ), technical support requests, online discussion groups, Microchip consultant program member listing
- **Business of Microchip** – Product selector and ordering guides, latest Microchip press releases, listing of seminars and events, listings of Microchip sales offices, distributors and factory representatives

## CUSTOMER CHANGE NOTIFICATION SERVICE

Microchip's customer notification service helps keep customers current on Microchip products. Subscribers will receive e-mail notification whenever there are changes, updates, revisions or errata related to a specified product family or development tool of interest.

To register, access the Microchip website at [www.microchip.com](http://www.microchip.com). Under "Support", click on "Customer Change Notification" and follow the registration instructions.

## CUSTOMER SUPPORT

Users of Microchip products can receive assistance through several channels:

- Distributor or Representative
- Local Sales Office
- Field Application Engineer (FAE)
- Technical Support

Customers should contact their distributor, representative or Field Application Engineer (FAE) for support. Local sales offices are also available to help customers. A listing of sales offices and locations is included in the back of this document.

**Technical support is available through the website at: <http://microchip.com/support>**

# 93AA76A/B/C, 93LC76A/B/C, 93C76A/B/C

## PRODUCT IDENTIFICATION SYSTEM (NON-AUTOMOTIVE)

To order or obtain information, e.g., on pricing or delivery, refer to the factory or the listed sales office..

| <u>PART NO.</u>   | <u>X<sup>(1)</sup></u> | <u>-X</u>  | <u>/XX</u>                                |
|---|------------------------|--|---|
| Device  | Tape and Reel          | Temperature Range  | Package                                   |
| <b>Device:</b>  |                        |  |   |
| 93AA76A:  |                        |  | 8-Kbit 1.8V Microwire Serial EEPROM (x8)  |
| 93AA76B:  |                        |  | 8-Kbit 1.8V Microwire Serial EEPROM (x16) |
| 93AA76C:  |                        |  | 8-Kbit 1.8V Microwire Serial EEPROM w/ORG |
| 93LC76A:  |                        |  | 8-Kbit 2.5V Microwire Serial EEPROM (x8)  |
| 93LC76B:  |                        |  | 8-Kbit 2.5V Microwire Serial EEPROM (x16) |
| 93LC76C:  |                        |  | 8-Kbit 2.5V Microwire Serial EEPROM w/ORG |
| 93C76A:   |                        |  | 8-Kbit 5.0V Microwire Serial EEPROM (x8)  |
| 93C76B:   |                        |  | 8-Kbit 5.0V Microwire Serial EEPROM (x16) |
| 93C76C:   |                        |  | 8-Kbit 5.0V Microwire Serial EEPROM w/ORG |
| <b>Tape and Reel:</b>   | Blank =                | Standard pinout  |   |
|   | T =                    | Tape and Reel <sup>(1)</sup>   |   |
| <b>Temperature Range:</b>   | I =                    | -40°C to +85°C (Industrial)  |   |
|   | E =                    | -40°C to +125°C (Extended)   |   |
| <b>Package:</b>   | MS =                   | Plastic Micro Small Outline - 8-lead (MSOP)                                      |   |
|   | OT =                   | Plastic Small Outline Transistor - 6-lead (SOT-23) (Tape and Reel only)          |   |
|   | P =                    | Plastic Dual In-Line - 300 mil Body, 8-lead (PDIP)                               |   |
|   | SN =                   | Plastic Small Outline - Narrow, 3.90 mm, 8-lead (SOIC)                           |   |
|   | ST =                   | Plastic Thin Shrink Small Outline - 4.4 mm, 8-lead (TSSOP)                       |   |
|   | MC =                   | Plastic Dual Flat, No lead - 2x3x0.9 mm Body, 8-lead (DFN)                       |   |
|   | MNY <sup>(2)</sup> =   | Plastic Dual Flat, No Lead - 2x3x0.8 mm Body, 8-lead (TDFN) (Tape and Reel only) |   |
| <b>Examples:</b>  |                        |  |   |
| a) 93AA76C-I/P: 8-Kbit, 1024x8 or 512x16, 1.8V Serial EEPROM, Industrial Temperature, PDIP package  |                        |  |   |
| b) 93AA76AT-I/OT: 8-Kbit, 1024x8, 1.8V Serial EEPROM, Industrial Temperature, Tape and Reel, SOT-23 package   |                        |  |   |
| c) 93AA76CT-I/MS: 8-Kbit, 1024x8 or 512x16, 1.8V Serial EEPROM, Industrial Temperature, Tape and Reel, MSOP package   |                        |  |   |
| a) 93LC76C-I/ST: 8-Kbit, 1024x8 or 512x16, 2.5V Serial EEPROM, Industrial Temperature, TSSOP package  |                        |  |   |
| b) 93LC76BT-I/OT: 8-Kbit, 512x16, 2.5V Serial EEPROM, Industrial Temperature, Tape and Reel, SOT-23 package   |                        |  |   |
| c) 93LC76CT-E/MNY: 8-Kbit, 1024x8 or 512x16, 2.5V Serial EEPROM, Extended Temperature, Tape and Reel, TDFN package  |                        |  |   |
| a) 93C76C-I/MS: 8-Kbit, 1024x8 or 512x16, 5.0V Serial EEPROM, Industrial Temperature, MSOP package  |                        |  |   |
| b) 93C76AT-I/OT: 8-Kbit, 1024x8, 5.0V Serial EEPROM, Industrial Temperature, Tape and Reel, SOT-23 package  |                        |  |   |
| <b>Note 1:</b> Tape and Reel identifier only appears in the catalog part number description. This identifier is used for ordering purposes and is not printed on the device package. Check with your Microchip Sales Office for package availability with the Tape and Reel option. |                        |  |   |
| <b>Note 2:</b> "Y" indicates a Nickel Palladium Gold (NiPdAu) finish.   |                        |  |   |

# 93AA76A/B/C, 93LC76A/B/C, 93C76A/B/C

## PRODUCT IDENTIFICATION SYSTEM (AUTOMOTIVE)

To order or obtain information, e.g., on pricing or delivery, refer to the factory or the listed sales office..

| <u>PART NO.</u>                 | <u>X<sup>(1)</sup></u>   | <u>-X</u>         | <u>/XX</u> | <u>XXX<sup>(2,3)</sup></u> |  |
|---------------------------------|--|-------------------|------------|----------------------------|--|
| Device                          | Tape and Reel  | Temperature Range | Package    | Variant                    |  |
| <b>Device:</b>                  | 93AA76A: 8-Kbit 1.8V Microwire Serial EEPROM (x8)<br>93AA76B: 8-Kbit 1.8V Microwire Serial EEPROM (x16)<br>93AA76C: 8-Kbit 1.8V Microwire Serial EEPROM w/ORG  |                   |            |                            |  |
|                                 | 93LC76A: 8-Kbit 2.5V Microwire Serial EEPROM (x8)<br>93LC76B: 8-Kbit 2.5V Microwire Serial EEPROM (x16)<br>93LC76C: 8-Kbit 2.5V Microwire Serial EEPROM w/ORG  |                   |            |                            |  |
|                                 | 93C76A: 8-Kbit 5.0V Microwire Serial EEPROM (x8)<br>93C76B: 8-Kbit 5.0V Microwire Serial EEPROM (x16)<br>93C76C: 8-Kbit 5.0V Microwire Serial EEPROM w/ORG   |                   |            |                            |  |
| <b>Tape and Reel:</b>           | Blank = Standard pinout<br>T = Tape and Reel <sup>(1)</sup>  |                   |            |                            |  |
| <b>Temperature Range:</b>       | I = -40°C to +85°C (AEC-Q100 Grade 3)<br>E = -40°C to +125°C (AEC-Q100 Grade 1)  |                   |            |                            |  |
| <b>Package:</b>                 | MS = Plastic Micro Small Outline - 8-lead (MSOP)<br>OT = Plastic Small Outline Transistor - 6-lead (SOT-23) (Tape and Reel only)<br>SN = Plastic Small Outline - Narrow, 3.90 mm, 8-lead (SOIC)<br>ST = Plastic Thin Shrink Small Outline - 4.4 mm, 8-lead (TSSOP) |                   |            |                            |  |
| <b>Variant<sup>(2,3)</sup>:</b> | 15KVAO = Standard Automotive, 15K Process<br>15KVXX = Customer-Specific Automotive, 15K Process  |                   |            |                            |  |

**Examples:**

a) 93AA76CT-I/MS15KVAO: 8-Kbit, 2048x8 or 1024x16, 1.8V Serial EEPROM, Tape and Reel, Automotive Grade 3, MSOP package

b) 93AA76BT-I/MS15KVAO: 8-Kbit, 1024x16, 1.8V Serial EEPROM, Tape and Reel, Automotive Grade 3, MSOP package

a) 93LC76CT-I/SN15KVAO: 8-Kbit, 2048x8 or 1024x16, 2.5V Serial EEPROM, Tape and Reel, Automotive Grade 3, SOIC package

b) 93LC76AT-E/SN15KVAO: 8-Kbit, 2048x8, 2.5V Serial EEPROM, Tape and Reel, Automotive Grade 1, SOIC package

a) 93C76CT-E/SN15KVAO: 8-Kbit, 2048x8 or 1024x16, 5.0V Serial EEPROM, Tape and Reel, Automotive Grade 1, SOIC package

**Note 1:** Tape and Reel identifier only appears in the catalog part number description. This identifier is used for ordering purposes and is not printed on the device package. Check with your Microchip Sales Office for package availability with the Tape and Reel option.

**2:** The VAO/VXX automotive variants have been designed, manufactured, tested and qualified in accordance with AEC-Q100 requirements for automotive applications.

**3:** For customers requesting a PPAP, a customer-specific part number will be generated and provided. A PPAP is not provided for VAO part numbers.

---

---

**Note the following details of the code protection feature on Microchip products:**

- Microchip products meet the specifications contained in their particular Microchip Data Sheet.
- Microchip believes that its family of products is secure when used in the intended manner, within operating specifications, and under normal conditions.
- Microchip values and aggressively protects its intellectual property rights. Attempts to breach the code protection features of Microchip product is strictly prohibited and may violate the Digital Millennium Copyright Act.
- Neither Microchip nor any other semiconductor manufacturer can guarantee the security of its code. Code protection does not mean that we are guaranteeing the product is "unbreakable" Code protection is constantly evolving. Microchip is committed to continuously improving the code protection features of our products.

---

This publication and the information herein may be used only with Microchip products, including to design, test, and integrate Microchip products with your application. Use of this information in any other manner violates these terms. Information regarding device applications is provided only for your convenience and may be superseded by updates. It is your responsibility to ensure that your application meets with your specifications. Contact your local Microchip sales office for additional support or, obtain additional support at <https://www.microchip.com/en-us/support/design-help/client-support-services>.

THIS INFORMATION IS PROVIDED BY MICROCHIP "AS IS". MICROCHIP MAKES NO REPRESENTATIONS OR WARRANTIES OF ANY KIND WHETHER EXPRESS OR IMPLIED, WRITTEN OR ORAL, STATUTORY OR OTHERWISE, RELATED TO THE INFORMATION INCLUDING BUT NOT LIMITED TO ANY IMPLIED WARRANTIES OF NON-INFRINGEMENT, MERCHANTABILITY, AND FITNESS FOR A PARTICULAR PURPOSE, OR WARRANTIES RELATED TO ITS CONDITION, QUALITY, OR PERFORMANCE.

IN NO EVENT WILL MICROCHIP BE LIABLE FOR ANY INDIRECT, SPECIAL, PUNITIVE, INCIDENTAL, OR CONSEQUENTIAL LOSS, DAMAGE, COST, OR EXPENSE OF ANY KIND WHATSOEVER RELATED TO THE INFORMATION OR ITS USE, HOWEVER CAUSED, EVEN IF MICROCHIP HAS BEEN ADVISED OF THE POSSIBILITY OR THE DAMAGES ARE FORESEEABLE. TO THE FULLEST EXTENT ALLOWED BY LAW, MICROCHIP'S TOTAL LIABILITY ON ALL CLAIMS IN ANY WAY RELATED TO THE INFORMATION OR ITS USE WILL NOT EXCEED THE AMOUNT OF FEES, IF ANY, THAT YOU HAVE PAID DIRECTLY TO MICROCHIP FOR THE INFORMATION.

Use of Microchip devices in life support and/or safety applications is entirely at the buyer's risk, and the buyer agrees to defend, indemnify and hold harmless Microchip from any and all damages, claims, suits, or expenses resulting from such use. No licenses are conveyed, implicitly or otherwise, under any Microchip intellectual property rights unless otherwise stated.

For information regarding Microchip's Quality Management Systems, please visit [www.microchip.com/quality](http://www.microchip.com/quality).

**Trademarks**

The Microchip name and logo, the Microchip logo, Adaptec, AVR, AVR logo, AVR Freaks, BesTime, BitCloud, CryptoMemory, CryptoRF, dsPIC, flexPWR, HELDO, IGLOO, JukeBlox, KeeLoq, Klear, LANCheck, LinkMD, maXStylus, maXTouch, MediaLB, megaAVR, Microsemi, Microsemi logo, MOST, MOST logo, MPLAB, OptoLyzer, PIC, picoPower, PICSTART, PIC32 logo, PolarFire, Prochip Designer, QTouch, SAM-BA, SenGenuity, SpyNIC, SST, SST Logo, SuperFlash, Symmetricom, SyncServer, Tachyon, TimeSource, tinyAVR, UNI/O, Vectron, and XMEGA are registered trademarks of Microchip Technology Incorporated in the U.S.A. and other countries.

AgileSwitch, APT, ClockWorks, The Embedded Control Solutions Company, EtherSynch, Flashtec, Hyper Speed Control, HyperLight Load, Libero, motorBench, mTouch, Powermite 3, Precision Edge, ProASIC, ProASIC Plus, ProASIC Plus logo, Quiet-Wire, SmartFusion, SyncWorld, Temux, TimeCesium, TimeHub, TimePictra, TimeProvider, TrueTime, and ZL are registered trademarks of Microchip Technology Incorporated in the U.S.A.

Adjacent Key Suppression, AKS, Analog-for-the-Digital Age, Any Capacitor, AnyIn, AnyOut, Augmented Switching, BlueSky, BodyCom, Clockstudio, CodeGuard, CryptoAuthentication, CryptoAutomotive, CryptoCompanion, CryptoController, dsPICDEM, dsPICDEM.net, Dynamic Average Matching, DAM, ECAN, Espresso T1S, EtherGREEN, GridTime, IdealBridge, In-Circuit Serial Programming, ICSP, INICnet, Intelligent Paralleling, IntelliMOS, Inter-Chip Connectivity, JitterBlocker, Knob-on-Display, KoD, maxCrypto, maxView, memBrain, Mindi, MiWi, MPASM, MPF, MPLAB Certified logo, MPLIB, MPLINK, MultiTRAK, NetDetach, Omniscient Code Generation, PICDEM, PICDEM.net, PICkit, PICtail, PowerSmart, PureSilicon, QMatrix, REAL ICE, Ripple Blocker, RTAX, RTG4, SAM-ICE, Serial Quad I/O, simpleMAP, SimpliPHY, SmartBuffer, SmartHLS, SMART-I.S., storClad, SQI, SuperSwitcher, SuperSwitcher II, Switchtec, SynchroPHY, Total Endurance, Trusted Time, TSHARC, USBCheck, VariSense, VectorBlox, VeriPHY, ViewSpan, WiperLock, XpressConnect, and ZENA are trademarks of Microchip Technology Incorporated in the U.S.A. and other countries.

SQTP is a service mark of Microchip Technology Incorporated in the U.S.A.

The Adaptec logo, Frequency on Demand, Silicon Storage Technology, and Symmcom are registered trademarks of Microchip Technology Inc. in other countries.

GestIC is a registered trademark of Microchip Technology Germany II GmbH & Co. KG, a subsidiary of Microchip Technology Inc., in other countries.

All other trademarks mentioned herein are property of their respective companies.

© 2003-2022, Microchip Technology Incorporated and its subsidiaries.

All Rights Reserved.

ISBN: 978-1-6683-0594-2



# MICROCHIP

## Worldwide Sales and Service

### AMERICAS

**Corporate Office**  
2355 West Chandler Blvd.  
Chandler, AZ 85224-6199  
Tel: 480-792-7200  
Fax: 480-792-7277  
Technical Support:  
<http://www.microchip.com/support>  
Web Address:  
[www.microchip.com](http://www.microchip.com)

#### Atlanta

Duluth, GA  
Tel: 678-957-9614  
Fax: 678-957-1455

#### Austin, TX

Tel: 512-257-3370

#### Boston

Westborough, MA  
Tel: 774-760-0087  
Fax: 774-760-0088

#### Chicago

Itasca, IL  
Tel: 630-285-0071  
Fax: 630-285-0075

#### Dallas

Addison, TX  
Tel: 972-818-7423  
Fax: 972-818-2924

#### Detroit

Novi, MI  
Tel: 248-848-4000

#### Houston, TX

Tel: 281-894-5983

#### Indianapolis

Noblesville, IN  
Tel: 317-773-8323  
Fax: 317-773-5453  
Tel: 317-536-2380

#### Los Angeles

Mission Viejo, CA  
Tel: 949-462-9523  
Fax: 949-462-9608  
Tel: 951-273-7800

#### Raleigh, NC

Tel: 919-844-7510

#### New York, NY

Tel: 631-435-6000

#### San Jose, CA

Tel: 408-735-9110  
Tel: 408-436-4270

#### Canada - Toronto

Tel: 905-695-1980  
Fax: 905-695-2078

### ASIA/PACIFIC

**Australia - Sydney**  
Tel: 61-2-9868-6733

**China - Beijing**  
Tel: 86-10-8569-7000

**China - Chengdu**  
Tel: 86-28-8665-5511

**China - Chongqing**  
Tel: 86-23-8980-9588

**China - Dongguan**  
Tel: 86-769-8702-9880

**China - Guangzhou**  
Tel: 86-20-8755-8029

**China - Hangzhou**  
Tel: 86-571-8792-8115

**China - Hong Kong SAR**  
Tel: 852-2943-5100

**China - Nanjing**  
Tel: 86-25-8473-2460

**China - Qingdao**  
Tel: 86-532-8502-7355

**China - Shanghai**  
Tel: 86-21-3326-8000

**China - Shenyang**  
Tel: 86-24-2334-2829

**China - Shenzhen**  
Tel: 86-755-8864-2200

**China - Suzhou**  
Tel: 86-186-6233-1526

**China - Wuhan**  
Tel: 86-27-5980-5300

**China - Xian**  
Tel: 86-29-8833-7252

**China - Xiamen**  
Tel: 86-592-2388138

**China - Zhuhai**  
Tel: 86-756-3210040

### ASIA/PACIFIC

**India - Bangalore**  
Tel: 91-80-3090-4444

**India - New Delhi**  
Tel: 91-11-4160-8631

**India - Pune**  
Tel: 91-20-4121-0141

**Japan - Osaka**  
Tel: 81-6-6152-7160

**Japan - Tokyo**  
Tel: 81-3-6880-3770

**Korea - Daegu**  
Tel: 82-53-744-4301

**Korea - Seoul**  
Tel: 82-2-554-7200

**Malaysia - Kuala Lumpur**  
Tel: 60-3-7651-7906

**Malaysia - Penang**  
Tel: 60-4-227-8870

**Philippines - Manila**  
Tel: 63-2-634-9065

**Singapore**  
Tel: 65-6334-8870

**Taiwan - Hsin Chu**  
Tel: 886-3-577-8366

**Taiwan - Kaohsiung**  
Tel: 886-7-213-7830

**Taiwan - Taipei**  
Tel: 886-2-2508-8600

**Thailand - Bangkok**  
Tel: 66-2-694-1351

**Vietnam - Ho Chi Minh**  
Tel: 84-28-5448-2100

### EUROPE

**Austria - Wels**  
Tel: 43-7242-2244-39  
Fax: 43-7242-2244-393

**Denmark - Copenhagen**  
Tel: 45-4485-5910  
Fax: 45-4485-2829

**Finland - Espoo**  
Tel: 358-9-4520-820

**France - Paris**  
Tel: 33-1-69-53-63-20  
Fax: 33-1-69-30-90-79

**Germany - Garching**  
Tel: 49-8931-9700

**Germany - Haan**  
Tel: 49-2129-3766400

**Germany - Heilbronn**  
Tel: 49-7131-72400

**Germany - Karlsruhe**  
Tel: 49-721-625370

**Germany - Munich**  
Tel: 49-89-627-144-0  
Fax: 49-89-627-144-44

**Germany - Rosenheim**  
Tel: 49-8031-354-560

**Israel - Ra'anana**  
Tel: 972-9-744-7705

**Italy - Milan**  
Tel: 39-0331-742611  
Fax: 39-0331-466781

**Italy - Padova**  
Tel: 39-049-7625286

**Netherlands - Drunen**  
Tel: 31-416-690399  
Fax: 31-416-690340

**Norway - Trondheim**  
Tel: 47-7288-4388

**Poland - Warsaw**  
Tel: 48-22-3325737

**Romania - Bucharest**  
Tel: 40-21-407-87-50

**Spain - Madrid**  
Tel: 34-91-708-08-90  
Fax: 34-91-708-08-91

**Sweden - Gothenberg**  
Tel: 46-31-704-60-40

**Sweden - Stockholm**  
Tel: 46-8-5090-4654

**UK - Wokingham**  
Tel: 44-118-921-5800  
Fax: 44-118-921-5820