

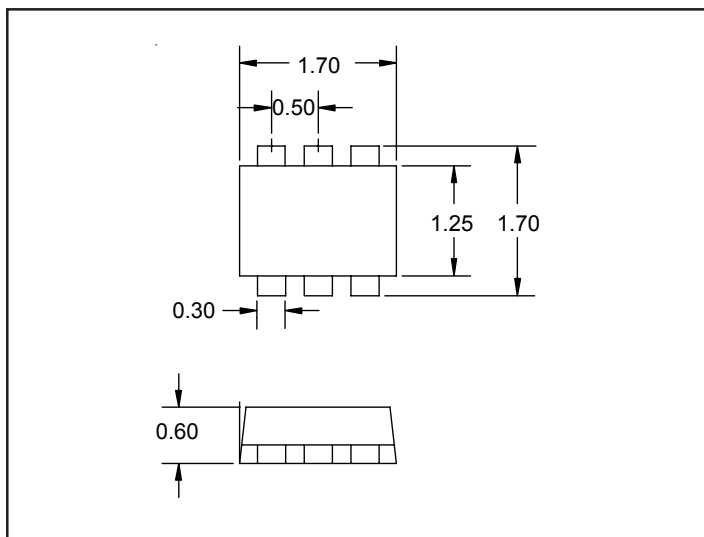
## PROTECTION PRODUCTS - EMIClamp™

### Description

The EClamp™3202A is a low pass filter array with integrated TVS diodes for ESD protection. It is designed to provide bidirectional filtering of EMI/RFI signals and electrostatic discharge (ESD) protection in portable electronic equipment. This state-of-the-art device utilizes solid-state silicon-avalanche technology for superior clamping performance and DC electrical characteristics. They have been optimized for use on a microphone port in cellular phones and other portable electronics. The EClamp3202A effectively replaces 10 discrete components in a small SC-89 package to provide ESD protection and EMI filtering. Each device requires less than 2.9mm<sup>2</sup> of PCB area with a low profile of only 0.60mm. This small package will protect and filter up to two lines. This small outline makes the device especially well suited for portable applications.

The TVS diodes are bidirectional for supporting bipolar audio signals without distortion. The TVS diodes provide effective suppression of ESD voltages in excess of 15kV (air discharge) and 8kV (contact discharge) per IEC 61000-4-2, level 4. The device has very low insertion loss in the pass band and high attenuation at frequencies ranging from 800MHz to 3GHz. Each line features two stages of TVS diode protection. They feature large cross-sectional area junctions for conducting high transient currents. They offer desirable characteristics for board level protection including fast response time, low operating and clamping voltage, and no device degradation.

### Dimensions



### Features

- ◆ Transient protection for data lines to **IEC 61000-4-2 (ESD) 15kV (air), 8kV (contact) IEC 61000-4-4 (EFT) 40A (5/50ns)**
- ◆ Bidirectional EMI/RFI filter with integrated ESD protection
- ◆ Protects two I/O lines
- ◆ Ultra-small SC-89 package (**1.7 x 1.7 x 0.6mm**) requires less than 2.9mm<sup>2</sup> of PCB area
- ◆ Working voltage: 5V
- ◆ Low leakage current
- ◆ Low operating and clamping voltages
- ◆ Solid-state silicon-avalanche technology

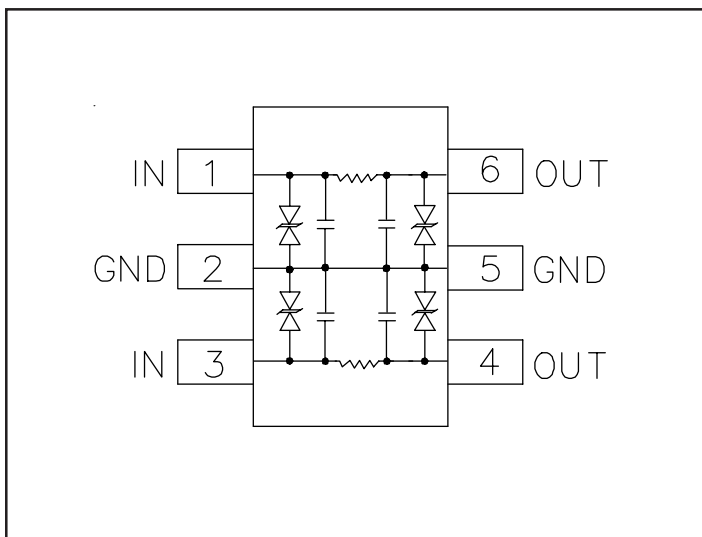
### Mechanical Characteristics

- ◆ EIAJ SC-89 package
- ◆ Lead Finish: Matte Tin
- ◆ Molding compound flammability rating: UL 94V-0
- ◆ Marking : Marking Code
- ◆ Weight: 2.9mg (typical)
- ◆ Packaging : Tape and Reel per EIA 481

### Applications

- ◆ Cellular Handsets and Accessories
- ◆ Cordless Phones
- ◆ Personal Digital Assistants (PDA's)
- ◆ Webpads & Handhelds
- ◆ Notebook
- ◆ Portable Instrumentation
- ◆ MP3 Players

### Schematic & Pin Configuration



**PROTECTION PRODUCTS**
**Absolute Maximum Rating**

| Rating   | Symbol    | Value            | Units |
|--|-----------|------------------|-------|
| Steady-State Power   | $P_{ss}$  | 100              | mW    |
| ESD per IEC 61000-4-2 (Air)<br>ESD per IEC 61000-4-2 (Contact) | $V_{ESD}$ | >16<br>>10       | kV    |
| Soldering Temperature  | $T_L$     | 260 (10 seconds) | °C    |
| Operating Temperature  | $T_J$     | -55 to +125      | °C    |
| Storage Temperature  | $T_{STG}$ | -55 to +150      | °C    |

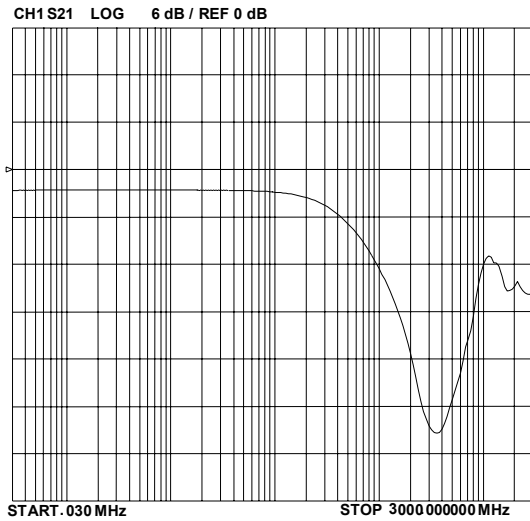
**Electrical Characteristics (T=25°C)**

| EClamp3202A                   |           |   |         |         |         |       |
|-------------------------------|-----------|---|---------|---------|---------|-------|
| Parameter                     | Symbol    | Conditions                                | Minimum | Typical | Maximum | Units |
| TVS Reverse Stand-Off Voltage | $V_{RWM}$ |   |         |         | 5       | V     |
| TVS Reverse Breakdown Voltage | $V_{BR}$  | $I_t = 1mA$                               | 6       |         |         | V     |
| TVS Reverse Leakage Current   | $I_R$     | $V_{RWM} = 5V, T=25°C$                    |         |         | 5       | μA    |
| Series Resistance             | R         | Each Line                                 | 27      | 32      | 37      | Ohms  |
| Total Capacitance             | $C_{TOT}$ | Any I/O to Ground<br>$V_R = 0V, f = 1MHz$ |         |         | 160     | pF    |

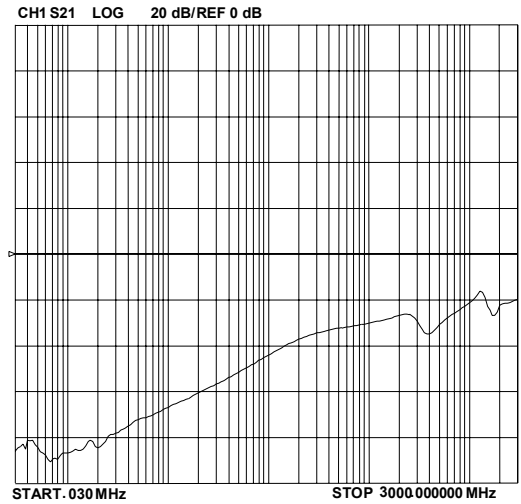
## PROTECTION PRODUCTS

### Typical Characteristics

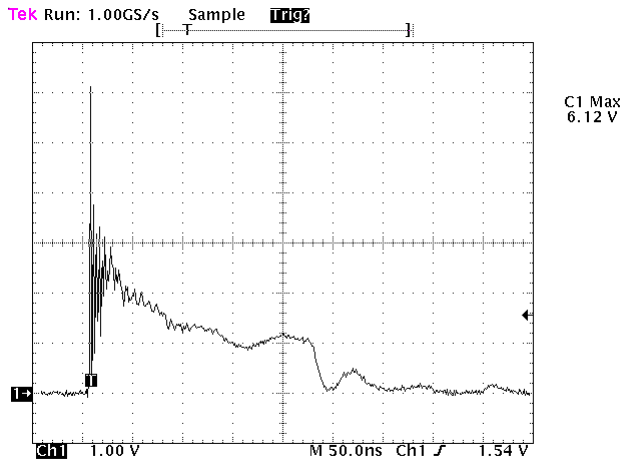
#### Typical Insertion loss



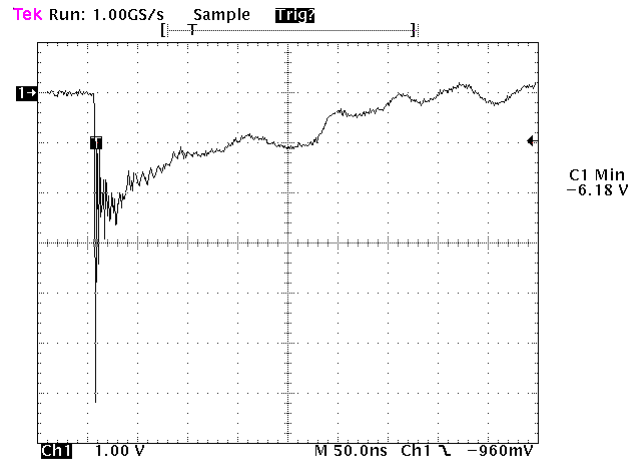
#### Analog Crosstalk



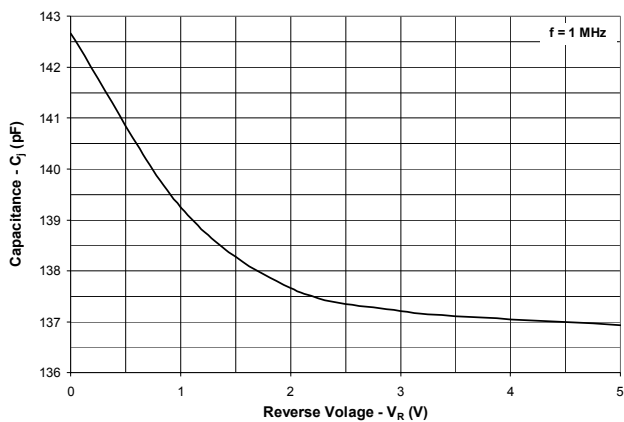
#### ESD Clamping (+8kV Contact)



#### ESD Clamping (-8kV Contact)



#### Capacitance vs. Reverse Voltage



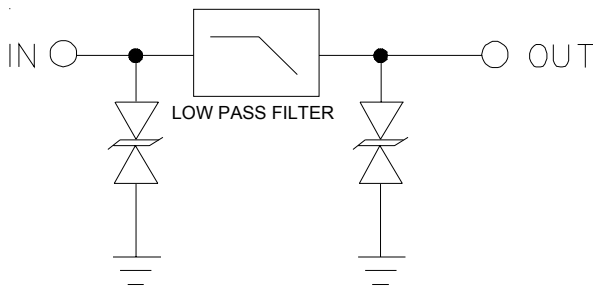
## PROTECTION PRODUCTS

### Applications Information

#### Device Connection Options

The EClamp3202A provides EMI filtering and ESD protection in a small SC-89 package for speaker port applications. The equivalent circuit diagram is shown below. The layout of the device is designed such that the data lines can be routed through the device. The first line pair enters at pins 1 and exits at pins 6. The second line pair enters at pins 3 and exits at pins 4. The device is symmetrical so the above connections may be reversed. Layout examples are shown to the right.

#### Equivalent Circuit Diagram (Each Line)

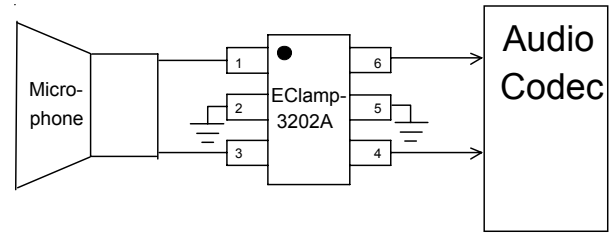


#### Circuit Board Layout Recommendations for Suppression of ESD.

Good circuit board layout is critical for the suppression of ESD induced transients. The following guidelines are recommended:

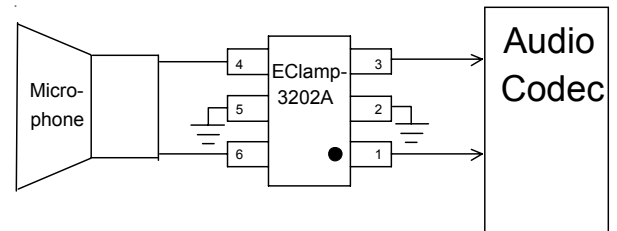
- Place the TVS near the input terminals or connectors to restrict transient coupling.
- Minimize the path length between the TVS and the protected line.
- Minimize all conductive loops including power and ground loops.
- The ESD transient return path to ground should be kept as short as possible.
- Never run critical signals near board edges.
- Use ground planes whenever possible.

#### Layout Examples



**Option 1**

| Pin  | Identification                |
|------|-------------------------------|
| 1    | Line 1 In (From Microphone)   |
| 6    | Line 1 Out (To Audio Circuit) |
| 3    | Line 2 In (From Microphone)   |
| 4    | Line 2 Out (To Audio Circuit) |
| 2, 5 | Ground                        |

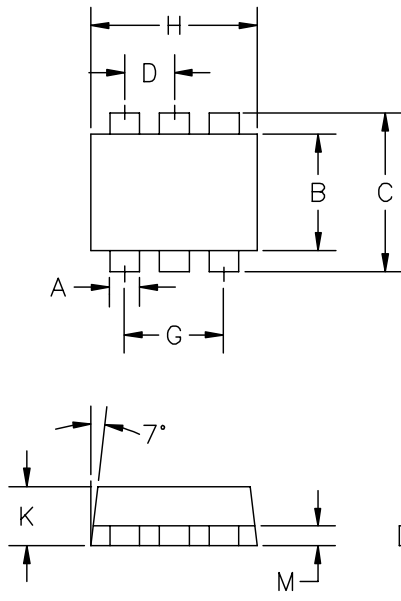


**Option 2**

| Pin  | Identification                |
|------|-------------------------------|
| 6    | Line 1 In (From Microphone)   |
| 1    | Line 1 Out (To Audio Circuit) |
| 4    | Line 2 In (From Microphone)   |
| 3    | Line 2 Out (To Audio Circuit) |
| 2, 5 | Ground                        |

## PROTECTION PRODUCTS

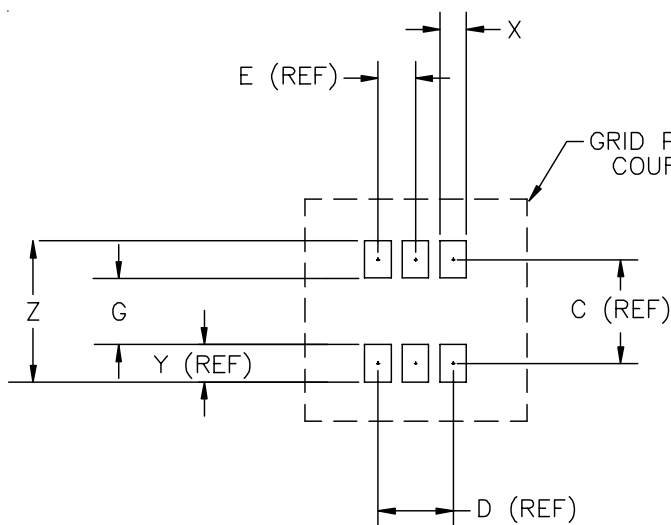
### Outline Drawing



| DIM <sup>N</sup> | INCHES |      | MM   |      | NOTE |
|------------------|--------|------|------|------|------|
|                  | MIN    | MAX  | MIN  | MAX  |      |
| A                | .006   | .012 | 0.15 | 0.30 | —    |
| B                | .043   | .049 | 1.10 | 1.25 | —    |
| C                | .061   | .067 | 1.55 | 1.70 | —    |
| D                | —      | .020 | —    | 0.50 | TYP  |
| G                | .035   | .043 | 0.90 | 1.10 | —    |
| H                | .059   | .067 | 1.50 | 1.70 | —    |
| K                | .022   | .024 | 0.56 | 0.60 | —    |
| L                | .006   | .010 | 0.15 | 0.25 | —    |
| M                | .004   | .008 | 0.10 | 0.18 | —    |

- ② PACKAGE OUTLINE EXCLUSIVE OF MOLD FLASH AND METAL BURR.
- ① CONTROLLING DIMENSIONS: MILLIMETERS.

### Land Pattern

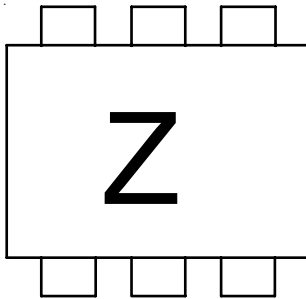


| DIM <sup>N</sup> | INCHES |      | MM  |      | NOTE |
|------------------|--------|------|-----|------|------|
|                  | MIN    | MAX  | MIN | MAX  |      |
| C                | —      | .055 | —   | 1.40 | REF  |
| D                | —      | .040 | —   | 1.00 | REF  |
| E                | —      | .020 | —   | 0.50 | REF  |
| G                | —      | .035 | —   | 0.90 | —    |
| X                | —      | .014 | —   | 0.35 | —    |
| Y                | —      | .020 | —   | 0.50 | REF  |
| Z                | —      | .075 | —   | 1.90 | —    |

- ② GRID PLACEMENT COURTYARD IS 3 x 3 ELEMENTS (1.5 mm X 1.5 mm) IN ACCORDANCE WITH THE INTERNATIONAL GRID DETAILED IN IEC PUBLICATION 97.
- ① CONTROLLING DIMENSION: MILLIMETERS

## PROTECTION PRODUCTS

### Marking Code



### Ordering Information

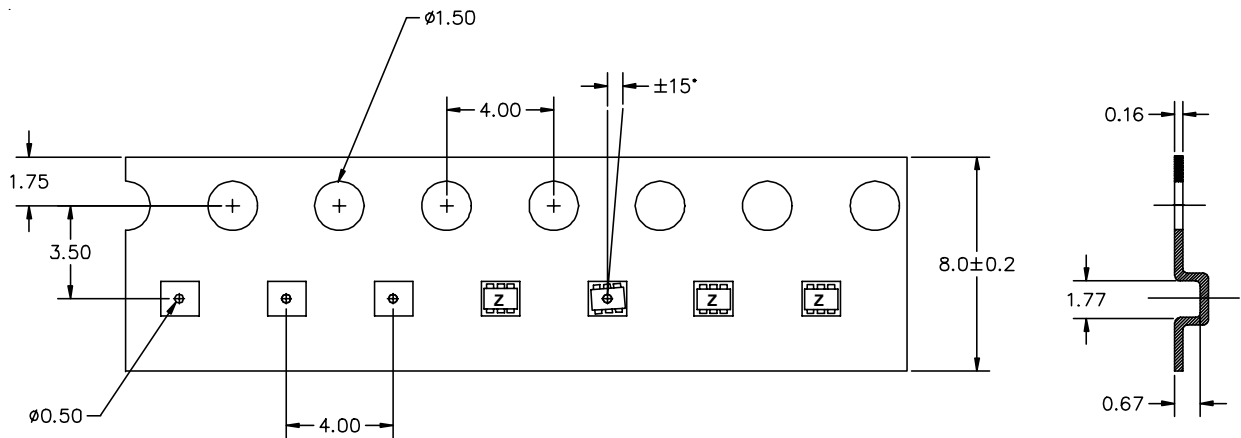
| Part Number     | Device Marking | Qty per Reel | Reel Size |
|-----------------|----------------|--------------|-----------|
| EClamp3202A.TCT | Z              | 3,000        | 7 Inch    |

EClamp and EMIClamp are trademarks of Semtech Corporation

Note:

(1) Device is symmetrical so there is no pin 1 identifier.

### Tape and Reel Specification



☐ DIMENSIONS ARE IN MILLIMETERS.

☐ SAME AS 3M US046041.

### Tape Specification and Device Orientation

### Contact Information

Semtech Corporation  
 Protection Products Division  
 200 Flynn Rd., Camarillo, CA 93012  
 Phone: (805)498-2111 FAX (805)498-3804