

DIMENSIONS						
REF.	mm			inch		
	MIN.	TYP.	MAX.	MIN.	TYP.	MAX.
A			1.2			0.047
A1	0.05		0.15	0.002	0.004	0.006
A2	0.8	1	1.05	0.031	0.039	0.041
b	0.19		0.30	0.007		0.012
c	0.09		0.20	0.004		0.0089
D	4.9	5	5.1	0.193	0.197	0.201
E	6.2	6.4	6.6	0.244	0.252	0.260
E1	4.3	4.4	4.48	0.169	0.173	0.176
e		0.65			0.0256	
K	0°		8°	0°		8°
L	0.45	0.60	0.75	0.018	0.024	0.030

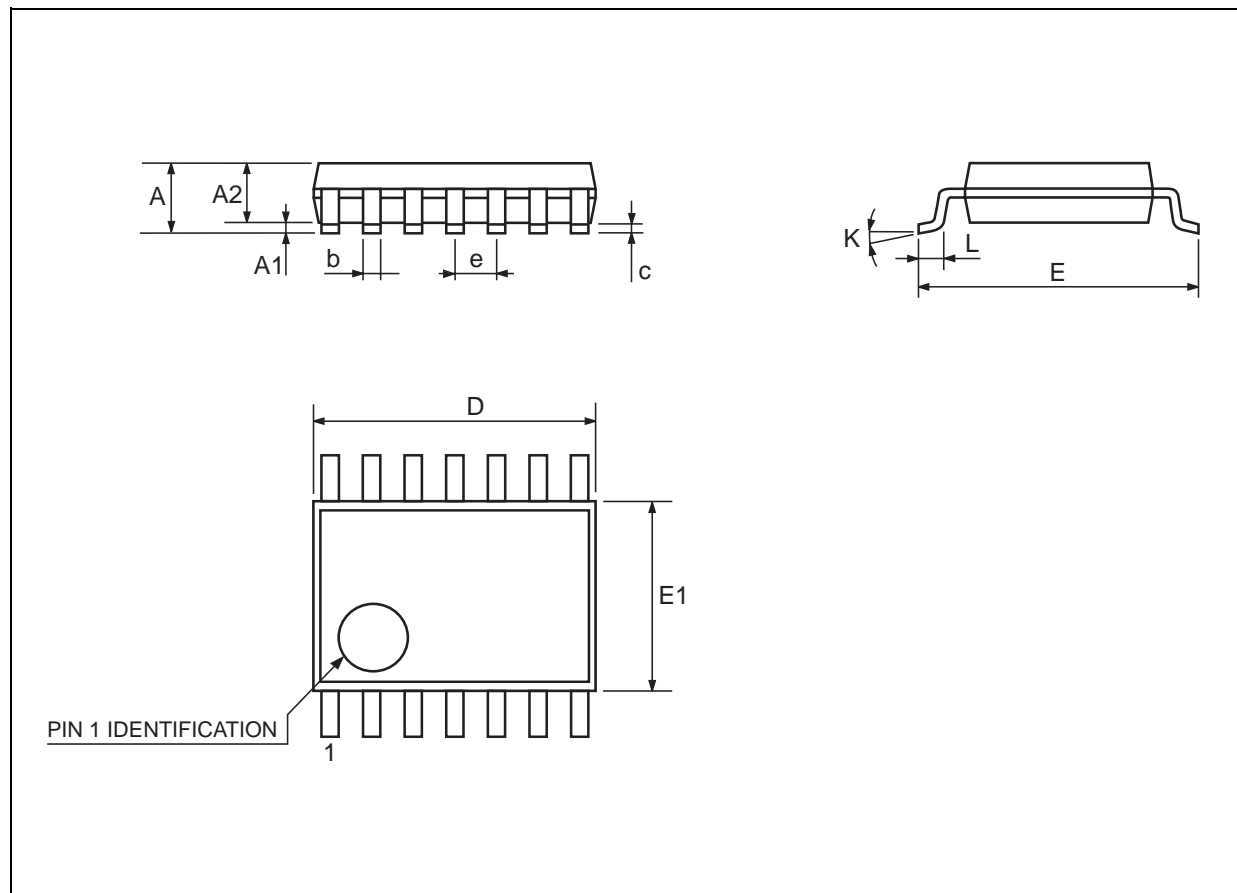


**14-LEAD THIN SHRINK
SMALL OUTLINE**

Weight: not available



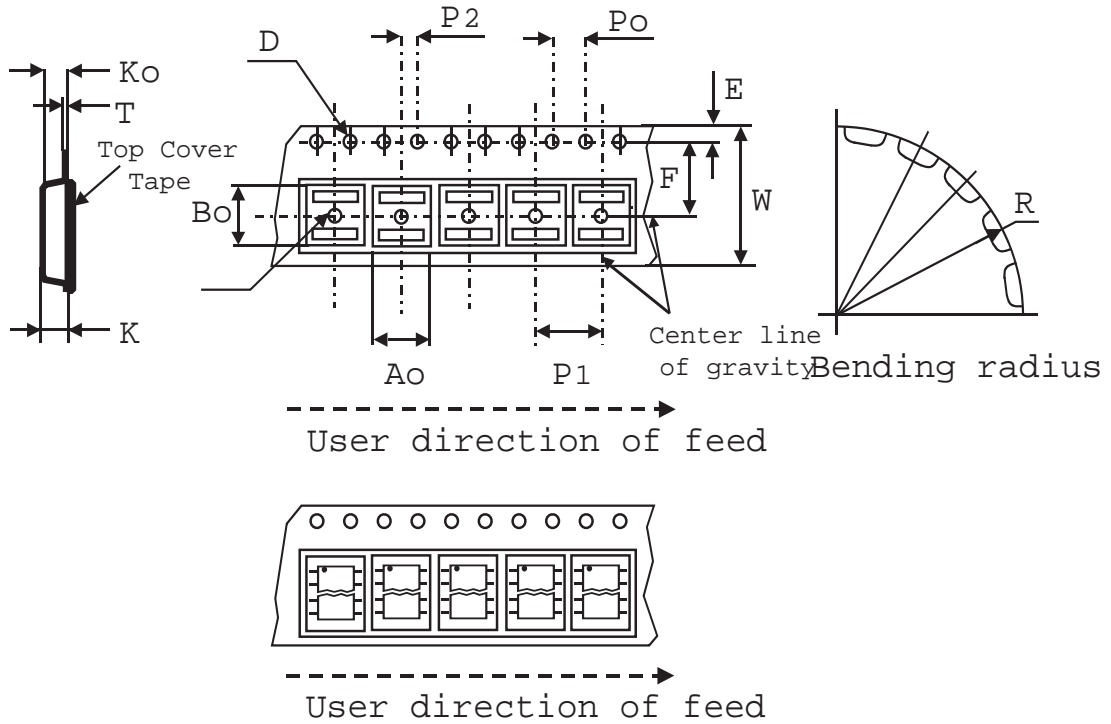
TSSOP14



TSSOP14 PACKAGE AND PACKING INFORMATION

TAPE & REEL SHIPMENT INFORMATION

TAPE SPECIFICATIONS

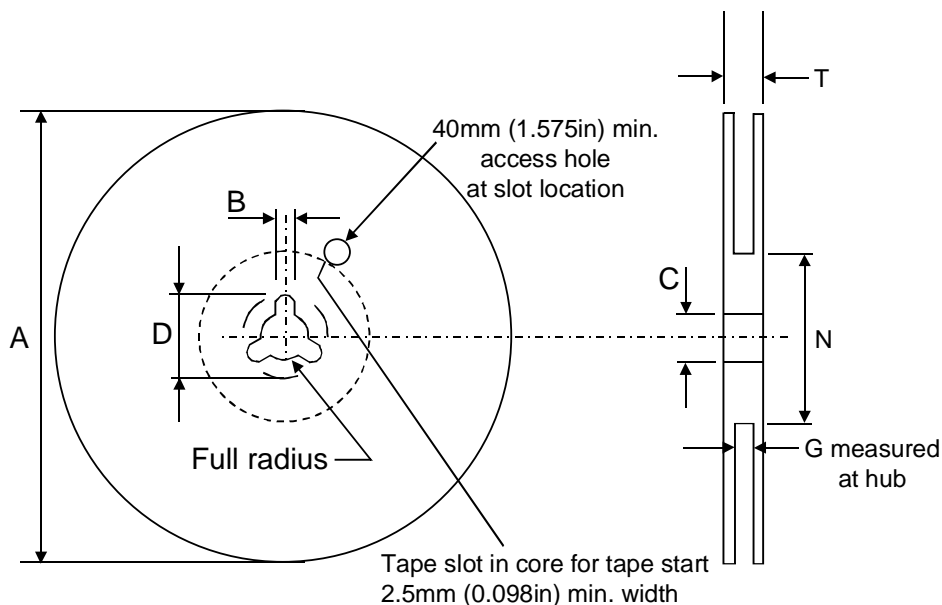


TAPE MECHANICAL DATA

	mm.	inch
D	1.50 +0.1/0	0.059 +0.004/0
E	1.75 ±0.1	0.069 ±0.004
Po	4.00 ±0.1	0.157 ±0.004
T max.	0.40	0.016
D1 min.	1.50	0.059
F	7.5 ±0.05	0.295 ±0.002
K max.	6.50	0.256
P2	2.00 ±0.05	0.079 ±0.002
R	40	1.575
W	16.00 ±0.30	0.630 ±0.012
P1	8.00	0.315
Ao, Bo, Ko	0.05 min to 0.90 max.	0.002 min to 0.035 max.

BASE QUANTITY	2500 pcs.
BULK QUANTITY	2500 pcs.

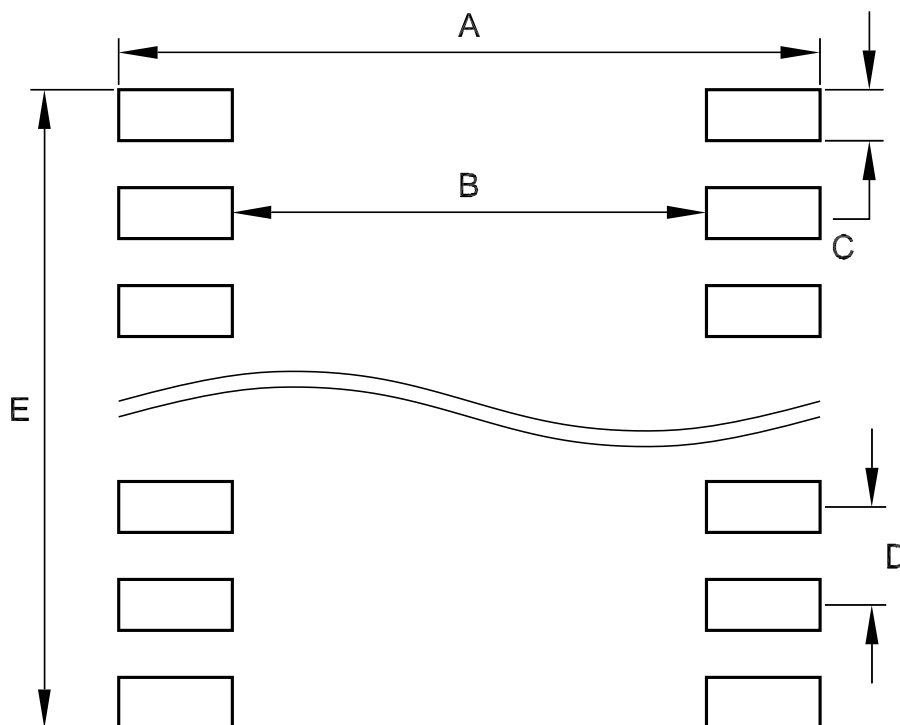
TAPE & REEL SHIPMENT INFORMATION
REEL SPECIFICATIONS



www.DataSheet4U.com

REEL MECHANICAL DATA		
	mm.	inch
Tape size	16.0 ±0.30	0.630 ±0.012
A max.	330.0	12.992
B min.	1.5	0.059
C	13.0 ±0.20	0.512 ±0.008
D min.	20.2	0.795
N min.	60	2.362
G	16.4 +2/-0	0.646 +0.079/-0
T max.	22.4	0.882

FOOTPRINT RECOMMENDED DATA



www.DataSheet4U.com

FOOTPRINT DATA		
	mm.	inch
A	7.26	0.286
B	4.93	0.194
C	0.36	0.014
D	0.65	0.025
E	4.26	0.168