

KENWOOD

CD-RECEIVER

KDC-X889

KDC-MP828

KDC-MP7028

KDC-MP728

KDC-X789

KDC-MP628

www.DataSheet4U.com

INSTRUCTION MANUAL

KENWOOD CORPORATION



Take the time to read through this instruction manual.

Familiarity with installation and operation procedures will help you obtain the best performance from your new CD-receiver.

For your records

Record the serial number, found on the back of the unit, in the spaces designated on the warranty card, and in the space provided below. Refer to the model and serial numbers whenever you call upon your KENWOOD dealer for information or service on the product.

Model KDC-X889/MP828/MP7028/MP728/X789/MP628 Serial number _____

US Residence Only

Register Online

Register your Kenwood product at
www.kenwoodusa.com

Contents

Safety precautions	4
Notes	5
About CDs	7
About AAC, MP3 and WMA	8
Notes on Multi-function Key System	9
General features	10
Power	
Selecting the Source	
Volume	
Attenuator	
Audio Control	
Audio Setup	
Speaker Setting	
Subwoofer Output	
Sound Field Control	
Sound Management system	
Equalizer Control	
WOW Control	
Bypass Control	
Memory mode	
Memory Recall mode	
Station/Disc Naming (SNPS/DNPS)	
Theft Deterrent Faceplate	
Faceplate Angle Adjustment	
Display Mode Switching	
Graphic part/ Spectrum Analyzer Display Switching	
Wallpaper selecting	
Text Display Switching (Display Type B)	
Text Display Switching (Display Type C/ Display Type D)	
Font Color Select	
G-Analyzer display Switching	
TEL Mute	

Tuner features	28
Tuning	
Tuning Mode	
Direct Access Tuning	
Station Preset Memory	
Auto Memory Entry	
Preset Tuning	

RDS features	30
Radio Text Scroll	
PTY (Program Type)	
Registration of a station as a PTY	
Program Type preset	

CD/Audio file/External disc control features	32
Playing CD & Audio file	
Playing External Disc	
Fast Forwarding and Reversing	
Track/File Search	
Disc Search/Folder Search	
Direct Track/File Search	
Direct Disc Search	
Track/File/Disc/Folder Repeat	
Scan Play	
Random Play	
Magazine Random Play	
Disc Random Play	
Folder Select	
Switching the Play mode	
Letter Seek	
Text/Title Scroll	

SIRIUS tuner control features	37
Select SIRIUS Satellite Radio Mode	
Switching Seek Mode	
Select the channel	
Category and Channel Search	
Direct Access Tuning	
Selecting the Preset Band	
Channel Preset Memory	
Preset Tuning	
Channel Scan	
Text Scroll for SIRIUS tuner source	

HD Radio control features	40
Tuning	

Menu system

41

Menu System
Security Code
Touch Sensor Tone
Manual Clock Adjustment
Date Adjustment
Date Mode
Synchronize Clock
DSI (Disabled System Indicator)
Selectable Illumination
Dimmer
Switching preout
Built-in Amp Setting
G-Counter Level set
G-Analyzer Reset
G-Analyzer Calibration setup
G-Analyzer Stop Watch
Dual Zone System Setting
B.M.S. (Bass Management System)
B.M.S. Frequency Offset
AMP Control
Traffic Information
CRSC (Clean Reception System Circuit)
Receive mode Setting
SIRIUS ID (ESN) display
Auxiliary Input Display Setting & Station/Disc
 Naming
Text Scroll
Built-in Auxiliary input Setting
CD Read Setting
Picture downloading
Voice Index
ACDrive firmware version display
Unique ID display
Audio Preset Memory
Audio Preset Call
Demonstration mode Setting

Basic Operations of remote

51

Accessories/ Installation Procedure

54

Connecting Wires to Terminals

55

Installation

56

Removing the Unit


58

Troubleshooting Guide

59

Specifications

63

WOW, SRS and  symbol are trademarks of SRS Labs, Inc.
WOW technology is incorporated under license from SRS Labs, Inc.

The "AAC" logo is trademark of Dolby Laboratories.

Safety precautions

▲WARNING

To prevent injury or fire, take the following precautions:

- To prevent a short circuit, never put or leave any metallic objects (such as coins or metal tools) inside the unit.
- Never watch the G-Analyzer Display screen when you are driving. Otherwise, a car accident may result.

▲CAUTION

To prevent damage to the machine, take the following precautions:

- Make sure to ground the unit to a negative 12V DC power supply.
- Do not install the unit in a spot exposed to direct sunlight or excessive heat or humidity. Also avoid places with too much dust or the possibility of water splashing.
- Do not set the removed faceplate or the faceplate case in areas exposed to direct sunlight, excessive heat or humidity. Also avoid places with too much dust or the possibility of water splashing.
- To prevent deterioration, do not touch the terminals of the unit or faceplate with your fingers.
- Do not subject the faceplate to excessive shock, as it is a piece of precision equipment.
- When replacing a fuse, only use a new one with the prescribed rating. Using a fuse with the wrong rating may cause your unit to malfunction.
- Do not apply excessive force to the open faceplate or place objects on it. Doing so will cause damage or breakdown.
- Do not use your own screws. Use only the screws provided. If you use the wrong screws, you could damage the unit.

Attach the panel while you are on the vehicle

The panel lock arm will be appeared when the panel is removed. Therefore, the panel must be attached during the driving.

Do Not Load 3-in. CDs in the CD slot

If you try to load a 3 in. CD with its adapter into the unit, the adapter might separate from the CD and damage the unit.

About CD players/disc changers connected to this unit

KENWOOD disc changers/ CD players released in 1998 or later can be connected to this unit.

Refer to the catalog or consult your Kenwood dealer for connectable models of disc changers/ CD players.

Note that any KENWOOD disc changers/ CD players released in 1997 or earlier and disc changers made by other makers cannot be connected to this unit.

Unsupported connection may result in damage. Setting the "O-N" Switch to the "N" position for the applicable KENWOOD disc changers/ CD players.

The functions that can be used and the information that can be displayed will differ depending on the models being connected.



- You can damage both your unit and the CD changer if you connect them incorrectly.

LX-bus connection

The LX AMP and the sensor unit cannot be connected simultaneously.

You must connect any of them at a time.

Lens Fogging

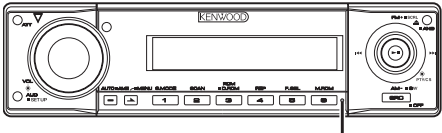
Right after you turn on the car heater in cold weather, dew or condensation may form on the lens in the CD player of the unit. Called lens fogging, CDs may be impossible to play. In such a situation, remove the disc and wait for the condensation to evaporate. If the unit still does not operate normally after a while, consult your Kenwood dealer.

NOTE

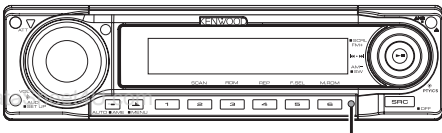
This Class B digital apparatus complies with Canadian ICES-003.

Notes

- If you experience problems during installation, consult your Kenwood dealer.
- If the unit fails to operate properly, press the Reset button. The unit returns to factory settings when the Reset button is pressed.
- Press the reset button if the disc auto changer fails to operate correctly. Normal operation should be restored.



Reset button



Reset button

- We recommend the use of <Security Code> (page 42) to prevent theft.
- The characters which can be displayed by ISO 8859-1.
- The illustrations of the display and the panel appearing in this manual are examples used to explain more clearly how the controls are used. Therefore, what appears on the display in the illustrations may differ from what appears on the display on the actual equipment, and some of the illustrations on the display may represent something impossible in actual operation.

Cleaning the Unit

If the faceplate of this unit is stained, wipe it with a dry soft cloth such as a silicon cloth.
If the faceplate is stained badly, wipe the stain off with a cloth moistened with neutral cleaner, then wipe neutral detergent off.



- Applying spray cleaner directly to the unit may affect its mechanical parts. Wiping the faceplate with a hard cloth or using a volatile liquid such as thinner or alcohol may scratch the surface or erases characters.

Cleaning the Faceplate Terminals

If the terminals on the unit or faceplate get dirty, wipe them with a dry, soft cloth.

Before using this unit for the first time

This unit is initially set on the Demonstration mode. When using this unit for the first time, cancel the <Demonstration mode Setting> (page 50).

About ODD (Offset Dual Differential) D/A System (KDC-X889/KDC-MP828)

The high quality sound play is to be done by ODD D/A System. Dual D/A converters are built-in the ODD D/A System, and the digital processing is isolated and controlled separately for front channel so the channel separation is improved sharply. Also, it produces the data in which the sound data is offset on the minus side and converts the two signals (original and offset data) to the analog signal, which has less noise and distortion, by the synthetic process. However, ODD D/A System has no effect during the following conditions.

- When "2 ZONE" of <Audio Setup> (page 13) is "ON".
- When <Bypass Control> (page 17) is "Bypass".

Notes

About DAB Tuner control

Refer to [A] group on the Instruction manual of DAB Tuner KTC-9090DAB (optional accessory) for the control method of DAB Tuner function. However, the following control methods of the function for this unit may be differed from the Instruction manual; therefore, refer to the following supplemental instruction.

<Auto Ensemble Memory Entry>

1. Select the preset band for Auto Ensemble Memory Entry.
2. Press the [AME] button for at least 2 seconds. Open Auto Ensemble Memory Entry. After storing in the memory finishes, the number of the pre-set buttons and the ensemble label are displayed.

<Searching by programme type and language> and <Languages to be displayed> in

<Programme Type (PTY) Function>

At the operation to press [DISP] button, press [AUTO] button.

About "Media Manager" of PC application attached to KDC-X889/MP828/X789

- "Media Manager" is recorded in the CD-ROM attached to this unit.
- Refer to the attached installation manual for the installation method of "Media Manager".
- Refer to the user's manual recorded in the installation CD-ROM and Help of "Media Manager" for the operation method of "Media Manager".
- The unit can play CD (hereafter called "ACDrive disc") created by "Media Manager".
- Refer to the following site for the updated information of "Media Manager".
<http://www.kenwood.mediamanager.jp>
- Contact Kenwood for the function and operation of the "Media Manager".
- "Media Manager" is a product of PhatNoise.

Warning

CAUTION

Use of controls or adjustments or performance of procedures other than those specified herein may result in hazardous radiation exposure. In compliance with Federal Regulations, following are reproductions of labels on, or inside the product relating to laser product safety.

KENWOOD CORPORATION
2967-3, ISHIKAWA-MACHI,
HACHIOJI-SHI
TOKYO, JAPAN

KENWOOD CORP. CERTIFIES THIS EQUIPMENT
CONFORMS TO DHHS REGULATIONS N0.21 CFR
1040. 10, CHAPTER 1, SUBCHAPTER J.

Location : Bottom Panel

FCC WARNING

This equipment may generate or use radio frequency energy. Changes or modifications to this equipment may cause harmful interference unless the modifications are expressly approved in the instruction manual. The user could lose the authority to operate this equipment if an unauthorized change or modification is made.

NOTE

This equipment has been tested and found to comply with the limits for a Class B digital device, pursuant to Part 15 of the FCC Rules. These limits are designed to provide reasonable protection against harmful interference in a residential installation. This equipment may cause harmful interference to radio communications, if it is not installed and used in accordance with the instructions. However, there is no guarantee that interference will not occur in a particular installation. If this equipment does cause harmful interference to radio or television reception, which can be determined by turning the equipment off and on, the user is encouraged to try to correct the interference by one or more of the following measures:

- Reorient or relocate the receiving antenna.
- Increase the separation between the equipment and receiver.
- Connect the equipment into an outlet on a circuit different from that to which the receiver is connected.
- Consult the dealer or an experienced radio/TV technician for help.

About CDs

Handling CDs

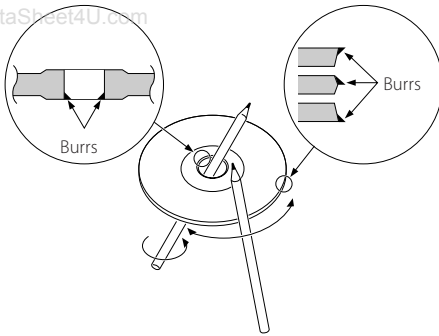
- Don't touch the recording surface of the CD.



- CD-R and CD-RW are easier to damage than a normal music CD. Use a CD-R or a CD-RW after reading the caution items on the package etc.
- Don't stick tape etc. on the CD. Also, don't use a CD with tape stuck on it.

When using a new CD

If the CD center hole or outside rim has burrs, use it after removing them with a ball pen etc.

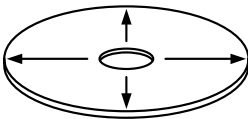


CD accessories

Don't use disc type accessories.

CD cleaning

Clean from the center of the disc and move outward.

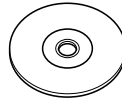


Removing CDs

When removing CDs from this unit pull them out horizontally.

CDs that can't be used

- CDs that aren't round can't be used.



- CDs with coloring on the recording surface or that are dirty can't be used.
- This unit can only play the CDs with



It may not correctly play discs which do not have the mark.

- A CD-R or CD-RW that hasn't been finalized can't be played. (For the finalization process refer to your CD-R/CD-RW writing software, and your CD-R/CD-RW recorder instruction manual.)

CD storage

- Don't place them in direct sunlight (On the seat or dashboard etc.) and where the temperature is high.
- Store CDs in their cases.

About AAC, MP3 and WMA

The playable AAC/MP3/WMA file (hereafter called Audio file) and the media format has the following limitation. The Audio file, which is out of the specification, may not be able to be played normally, or the file and folder names may not be displayed correctly.



- Attach the correct extension for the Audio file (AAC: ".M4A"; MP3: ".MP3"; WMA: ".WMA")
- Do not attach the extensions to the other files besides the Audio file. If it is attached, the file, which is not the Audio file, will be played and outputs the loud noise, and then the speaker will be damaged.
- The files with copy protection cannot be played.

Playable AAC file

- ".m4a" file encoded by AAC-LC format.
Refer to <http://www.kenwood.mediamanager.jp> for the details.

Playable MP3 file

- MPEG 1/2 Audio Layer 3 file
- Transfer bit rate: 8-320 kbps
- Sampling frequency
KDC-MP7028/MP728/MP628:
8, 11.025, 12, 16, 22.05, 24, 32, 44.1, 48 kHz
KDC-X889/MP828/X789:
16, 22.05, 24, 32, 44.1, 48 kHz

Playable WMA file

- The file in accordance with Windows Media Audio (Except for the file for Windows Media Player 9 or after which applies the new functions)
- Transfer bit rate: 48-192 kbps
- Sampling frequency: 32, 44.1, 48 kHz

Playable media

- CD-ROM, CD-R, CD-RW



- Depending on the writing software, it may not be possible to use quick formatted CD-RW discs.
- When recording to the media up to the maximum capacity at once, the writing soft is set to "Disc at once".

Playable disc format

- ISO 9660 Level 1/2
- Joliet
- Romeo
- Long file name.

The maximum number of characters for display

File/Folder name:

KDC-MP7028/MP728/MP628: 64 characters

KDC-X889/MP828/X789: 128 characters

MP3 ID3 Tag/ WMA Contents property/
AAC song information (KDC-X889/MP828/X789 only): 30 characters



- File/Folder name is the number of the characters including the extensions.
- MP3 ID3 Tag can only display the tag of Ver1.X. (KDC-MP7028/MP728/MP628 only)
- AAC ID3 Tag cannot be displayed.

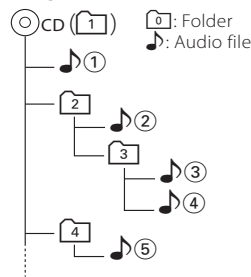
Limitation of structure for the file and the folder

- Maximum number of directory levels: 8
- Maximum number of folders: 100
- Maximum number of files per folder:
KDC-MP7028/MP728/MP628: 255
KDC-X889/MP828/X789: 4096

Playing order of the Audio file

The Audio file is played in the order which is written by writing soft. You may be able to set the playing order by writing the play sequence numbers such as "01" to "99" at the beginning of the file name.

Example



• Playing order

Playing order after 1 play.

➡ 2, 3, 4, 5...

• File search

Forward file search during 3 play.

Push the Control knob to ➡ 4...

• Folder search

Forward folder search during 2 play.

Push the Control knob to [FM] ➡ 3, 4...

• Folder select

When it is set to directory 2, skip to the folder before the same level by folder select.

Push the Control knob to ➡ 2

When it is set to directory 3, makes the level up by folder select.

Push the Control knob to [AM] ➡ 2

Notes on Multi-function Key System

Multi-function Key System serves to control various functions with the [1] — [6] buttons. The basic operation of the Multi-function Key System is described below.

What's the Multi-function Key System?

This unit is equipped with the Multi-function Key System that enables the operation of multiple functions with one button.

For example, you can enter the Display Control Mode or turn ON/OFF the Random Play by pressing the [3] button during CD play.

Setting each function

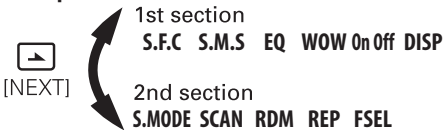
The function display will show the controllable function of the [1] — [6] button above the button. Pressing the [1] — [6] button below the desired function enables the setting of the function.

Displaying the desired function

If five or more functions are available to be set with the [1] — [6] button, they are divided into multiple function groups (referred to as sections in this manual) for registration.

Press the [NEXT] button to switch the sections. Example: Function display of CD & External disc source

Example: KDC-X889/MP828

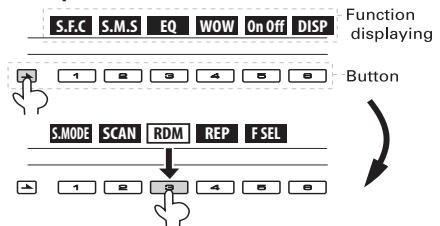


Real operational example of the Multi-function Key System

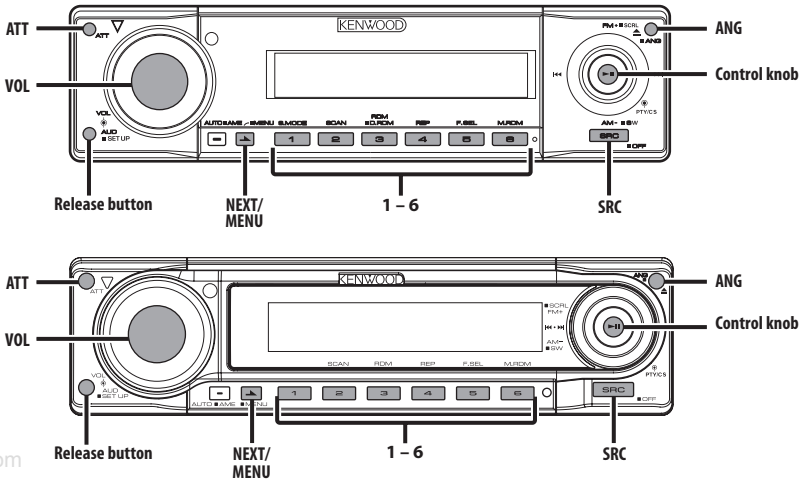
Example: Turning ON/OFF the Random Play during CD play.

1. Show the function display of the Random Play. If "RDM" is not shown in the display, press the [NEXT] button to switch the sections until the "RDM" function display is shown above the [3] button.
2. Turn ON/OFF the Random Play. Press the [3] button. Each time the [3] button under the "RDM" function display is pressed the Random Play is turned ON/OFF.

Example: KDC-X889/MP828



General features



Power

Turning ON the Power
Press the [SRC] button.

Turning OFF the Power
Press the [SRC] button for at least 1 second.

Selecting the Source

Press the [SRC] button.

Source required	Display
SIRIUS tuner (Optional accessory)	"SIRIUS"
Tuner or HD Radio (Optional accessory)	"TUNER" or "HD Radio"
CD	"Compact Disc"
External disc (Optional accessory)	"CD Changer"
Auxiliary input	"AUX"
Auxiliary input (Optional accessory)	"AUX EXT"
Standby (Illumination only mode)	"STANDBY"

Volume

Increasing Volume
Turn the [VOL] knob clockwise.

Decreasing Volume
Turn the [VOL] knob counterclockwise.

Attenuator

Turning the volume down quickly.

Press the [ATT] button.

Each time the button is pressed, the Attenuator turns ON and OFF.
When it's ON, "ATT" is displayed.

Function of the KDC-MP7028/KDC-MP728/KDC-X789/KDC-MP628

Audio Control

1 Select the source for adjustment

Press the [SRC] button.

2 Enter Audio Control mode

Press the [VOL] knob.

3 Select the Basic Audio item for adjustment

Press the [VOL] knob.

Each time the knob is pressed, the items that can be adjusted switch as shown below.

4 Adjust the Basic Audio item

Turn the [VOL] knob.

Adjustment Item	Display	Range
Rear Volume *1	"Rear Volume"	0 — 35
Subwoofer level*2,3,4	"Sub-WLevel"	-15 — +15
Bass level*5	"Bass Level"	-8 — +8
Middle level*5	"Middle Level"	-8 — +8
Treble level*5	"Treble Level"	-8 — +8
Balance	"Balance"	Left 15 — Right 15
Fader*4	"Fader"	Rear 15 — Front 15

Exit Audio Control mode



- *1 You can control this item when "2 ZONE" of <Audio Setup> (page 12) is set to "ON".
- *2 You can control this item when <Switching preout> (page 43) is set to "SWPRE Sub-W". (KDC-MP728/KDC-MP628 only)
- *3 You can control this item when <Subwoofer Output> (page 14) is set to "SW ON".
- *4 You can control this item when "2 ZONE" of <Audio Setup> (page 12) is set to "OFF".
- *5 These items can be adjusted in detail by the following methods. (Function of the KDC-X789)
- *5 Source tone memory: The set up value is put in the memory per source. (Detail Audio item is included)

5 Exit Audio Control mode

Press any button.

Press the button which is not [VOL] knob and [ATT]/[ANG] button.

Adjust the detail of Audio Control (Function of the KDC-X789)

1 Select the Audio item for adjustment

By referring to the step 1 — 3 above, select the desired item to be set in detail from the items marked with *5.

2 Enter Detail adjustment mode of Audio Control

Press the [VOL] knob for at least 1 second.

3 Select the Detail Audio item for adjustment

Press the [VOL] knob.

Each time the knob is pressed, the items that can be adjusted switch as shown below.

4 Adjust the Detail Audio item

Turn the [VOL] knob.

Bass level

Adjustment Item	Display	Range
Bass Center Frequency	"Bass FRQ"	40/50/60/70/80/100/ 120/150 Hz
Bass Q Factor	"Bass Q Factor"	1.00/1.25/1.50/2.00
Bass Extend	"Bass EXT"	OFF/ON

Middle level

Adjustment Item	Display	Range
Middle Center Frequency	"Middle FRQ"	0.5/1.0/1.5/2.0 kHz
Middle Q Factor	"Middle Q Factor"	1.00/2.00

Treble level

Adjustment Item	Display	Range
Treble Center Frequency	"Treble FRQ"	10.0/12.5/15.0/17.5 kHz

5 Exit the Detail Audio Control mode

Press the [VOL] knob for at least 1 second.



- When the Bass Extend is set to ON, low frequency response is extended by 20%.
- You can exit the Audio Control mode at anytime by pressing any button except for [VOL] and [ATT]/[ANG] buttons.

General features

Function of the KDC-X889/KDC-MP828

Audio Control

- 1 Select the source for adjustment**
Press the [SRC] button.
- 2 Enter Audio Control mode**
Press the [VOL] knob.
- 3 Select the Audio item for adjustment**
Press the [VOL] knob.

Each time the knob is pressed, the items that can be adjusted switch as shown below.

- 4 Adjust the Audio item**
Turn the [VOL] knob.

Adjustment Item	Display	Range
Rear Volume *1	"Rear Volume"	0 — 35
Subwoofer level*2,3	"Sub-WLevel"	-15 — +15
Balance	"Balance"	Left 15 — Right 15
Fader*3	"Fader"	Rear 15 — Front 15

Exit Audio Control mode



- *1 You can control this item when "2 ZONE" of <Audio Setup> (page 13) is set to "ON".
- *2 You can control this item when <Subwoofer Output> (page 14) is set to "SW ON".
- *2 You can control this item when Speaker Select Subwoofer of <Sound Management system> (page 15) is set to any item other than "None".
- *3 You can control this item when "2 ZONE" of <Audio Setup> (page 13) is set to "OFF".

- 5 Exit Audio Control mode**
Press any button.

Press the button which is not [VOL] knob and [ATT]/[ANG] button.

Function of the KDC-MP7028/KDC-MP728/KDC-X789/KDC-MP628

Audio Setup

Setting the Sound system, such as Cross over Network.

- 1 Select the source for adjustment**
Press the [SRC] button.
- 2 Enter Audio Setup mode**
Press the [VOL] knob for at least 1 second.

- 3 Select the Audio Setup item for adjustment**
Press the [VOL] knob.

Each time the knob is pressed, the items that can be adjusted switch as shown below.

- 4 Setup the Audio item**
Turn the [VOL] knob.

Adjustment Item	Display	Range
Front High Pass Filter*2 "HPF-F Fc" (KDC-MP728/MP628)		Through/80/100/120/150/180 Hz
(KDC-MP7028/X789)		Through/40/60/80/100/120/150/180/220 Hz
Rear High Pass Filter*2 "HPF-R Fc" (KDC-MP728/MP628)		Through/80/100/120/150/180 Hz
(KDC-MP7028/X789)		Through/40/60/80/100/120/150/180/220 Hz
Low Pass Filter*1,2 "LPF-SW" (KDC-MP728/MP628)		60/80/120/Through Hz
(KDC-MP7028/X789)		50/60/80/100/120/Through Hz
Subwoofer Phase*1,2 "SW Phase"		Reverse (180°)/ Normal (0°)
Volume offset	"Vol-Offset"	-8 — 0
Loudness	"LOUD"	OFF/ON
Dual Zone System	"2 ZONE"	OFF/ON



- Volume offset: Each source's volume can be set as a difference from the basic volume.
- Loudness: Compensating for low and high tones during low volume.
- *1 You can control this item when <Switching preout> (page 43) is set to "SWPRE Sub-W". (KDC-MP728/MP628 only)
- *1 You can control this item when <Subwoofer Output> (page 14) is set to "SW ON".
- *2 You can control this item when "2 ZONE" of <Audio Setup> is set to "OFF".
- Dual Zone System
 - Main source and sub source (Auxiliary input) output Front channel and Rear channel separately.
 - The channel of sub source is set up by <Dual Zone System Setting> (page 45).
 - Main source is selected by [SRC] button.
 - The volume of Front channel is adjusted by [VOL] knob.
 - The volume of Rear channel is adjusted by <Audio Control> (page 10).
 - The Audio Control has no effect on sub source.
 - The Dual Zone System can be used with the Auxiliary input sources shown below.
 - Internal auxiliary input

- 5 Exit Audio Setup mode**

Press [VOL] knob for at least 1 second.

Function of the KDC-X889/KDC-MP828

Audio Setup

Setting the Sound system, such as Volume offset and Dual Zone.

1 Select the source for adjustment

Press the [SRC] button.

2 Enter Audio Setup mode

Press the [VOL] knob for at least 1 second.

3 Select the Audio Setup item for adjustment

Press the [VOL] knob.

Each time the knob is pressed, the items that can be adjusted switch as shown below.

4 Setup the Audio item

Turn the [VOL] knob.

Adjustment Item	Display	Range
Volume offset	"Vol-Offset"	-8 — 0
Dual Zone System	"2_ZONE"	OFF/ON



- Volume offset: Each source's volume can be set as a difference from the basic volume.
- Dual Zone System
Main source and sub source (Auxiliary input) output Front channel and Rear channel separately.
 - The channel of sub source is set up by <Dual Zone System Setting> (page 45).
 - Main source is selected by [SRC] button.
 - The volume of Front channel is adjusted by [VOL] knob.
 - The volume of Rear channel is adjusted by <Audio Control> (page 12).
 - The Audio Control has no effect on sub source.
- The Dual Zone System can be used with the Auxiliary input sources shown below.
 - Internal auxiliary input
- The Dual Zone System can be used only when you have set the rear speaker to any mode other than "None" in the <Sound Management system> (page 15).
- When the "2_ZONE" is ON, each of the following setup is ignored.
 - <Sound Field Control> (page 14)
 - <Sound Management system> (page 15)
 - <Equalizer Control> (page 16)
 - <WOW Control> (page 17)
 - <Bypass Control> (page 17)
- ODD D/A System is not effective when the "2_ZONE" is ON.

5 Exit Audio Setup mode

Press [VOL] knob for at least 1 second.

Function of the KDC-MP7028/KDC-MP728/KDC-X789/KDC-MP628

Speaker Setting

Fine-tuning so that the System Q value is optimal when setting the speaker type.

1 Enter Standby

Press the [SRC] button.

Select the "STANDBY" display.

2 Enter Speaker Setting mode

Press the [VOL] knob.

"SP SEL" is displayed.

3 Select the Speaker type

Turn the [VOL] knob.

Each time the knob is turned, the setting switches as shown below.

Speaker type	Display
OFF	"OFF"
For 5 & 4 in. speaker	"5/4 inch"
For 6 & 6x9 in. speaker	"6x9/6 inch"
For the OEM speaker	"O.E.M."

4 Exit Speaker Setting mode

Press the [VOL] knob.

Subwoofer Output

Turning the Subwoofer output ON or OFF.

Hold down on [AM] of the Control knob for at least 1 second.

Each time the button is pressed, Subwoofer output switches ON and OFF.

When it's ON, "SW ON" is displayed.



- You can control this item when <Switching preout> (page 43) is set to "SWPRE Sub-W". (KDC-MP728/MP628 only)
- You can control this item when Speaker Select Subwoofer of <Sound Management system> (page 15) is set to any item other than "None". (KDC-X889/MP828 only)
- You can control this item when "2 ZONE" of <Audio Setup> (page 12/13) is set to "OFF".

Function of the KDC-X889/KDC-MP828

Sound Field Control

1 Select the source for adjustment

Press the [SRC] button.

2 Select the key function section

Press the [NEXT] button.

Repeatedly press the button until "S.F.C" is displayed above the [1] button.

Refer to <Notes on Multi-function Key System> (page 9).

3 Enter Sound Field Control mode

Press the [1] ("S.F.C") button.



- When "2 ZONE" of <Audio Setup> (page 13) is ON, you cannot select "S.F.C".

4 Select the Sound Field Control item for adjustment

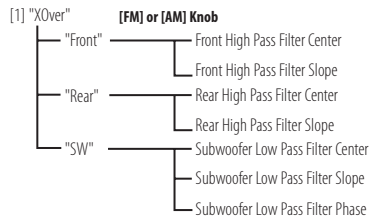
Press the [1] — [3] and [5] button.

Each time the [1] — [3] and [5] button is pressed, the adjustable audio items are switched among ranges of all stage section's tables on the following pages.

Multi-function key operation		Sound Field control item
[1] "XOver"	[1] "Front"* [1] "Rear"* [1] "SW"*	High Pass Filter Front High Pass Filter Rear Low Pass Filter Subwoofer
[2] "DTA"	[2] "Front" [2] "Rear" [2] "SW"	DTA Front DTA Rear DTA Subwoofer
[3] "POS"		Position Setting
[5] "Preset"	[1] "CALL" [2] "MEM"	Call mode Memory mode



- * The following adjustment items can be selected by [FM] or [AM] knob for "XOver".



- "Preset": You can store an adjusted audio control value by selecting "MEM". Refer to <Memory mode> (page 18). Also, you can recall it by selecting "CALL". Refer to <Memory Recall mode> (page 18).
- "SW" can be adjusted when <Subwoofer Output> (page 14) is set to "SW ON"
- Xover (Crossover Network Setup)
You can manually set a crossover frequency of speakers.
- DTA (Digital Time Alignment)
Manually set the sound output timing of each channel.

5 Adjust the Sound Field Control item

Push the Control knob to [◀◀] or [▶▶].

Each time the knob is pushed, the setting switches as shown below.

Sound Field Control Item	Range
Front High Pass Filter Center/ Rear High Pass Filter Center (KDC-X889)	Through/30 — 100/120/150/ 180/220/250 (Hz)
(KDC-MP828)	Through/40/60/80/100/120/ 150/180/220 (Hz)
Front High Pass Filter Slope/ Rear High Pass Filter Slope/ Subwoofer Low Pass Filter Slope* (KDC-X889)	-12/-18/-24 dB/oct
(KDC-MP828)	-12/-18 dB/oct
Subwoofer Low Pass Filter Center* (KDC-X889)	30 — 100/120/150/180/220/ 250 (Hz)/Through
(KDC-MP828)	40/60/80/100/120/150/180/ 220 (Hz)/Through
Subwoofer Low Pass Filter Phase*	Reverse/ Normal
DTA Front/DTA Rear DTA Subwoofer*	0 — 20.33 (feet)
Position Setting	Front-L/ Front-R/ Front/ ALL



- To get the best sound, first set the Cabin Setting and Speaker Select Front/Rear parameters using the <Sound Management system> (page 15).
- When the "2 ZONE" of <Audio Setup> (page 13) is "ON", each of the following setup is ignored.
 - "Xover"
 - "DTA"
 - "POS1"
 - "Preset"
- * You can control this item when <Subwoofer Output> (page 14) is set to "SW ON".
- * You can control this item when Speaker Select Subwoofer of <Sound Management system> (page 15) is set to any item other than "None".

6 Exit Sound Field Control mode

Press the [6] ("RTN") button.

Function of the KDC-X889/KDC-MP828 Sound Management system

1 Select the source for adjustment

Press the [SRC] button.

2 Select the key function section

Press the [NEXT] button.

Repeatedly press the button until "S.M.S" is displayed above the [2] button.
Refer to <Notes on Multi-function Key System> (page 9).

3 Enter Sound Management mode

Press the [2] ("S.M.S") button.



- When "2 ZONE" of <Audio Setup> (page 13) is ON, you cannot select "S.M.S".

4 Select the Sound Management item for adjustment

Press the [1] — [5] button.

Multi-function key operation	Sound Management Item
[1] "CABIN"	Cabin Setting
[2] "F"	Speaker Select Front
[3] "R"	Speaker Select Rear
[4] "SW"	Speaker Select Subwoofer
[5] "Preset"	[1] "CALL" Call mode [2] "MEM" Memory mode



- "Preset": You can store an adjusted sound management system value by selecting "MEM". Refer to <Memory mode> (page 18). Also, you can recall it by selecting "CALL". Refer to <Memory Recall mode> (page 18).

5 Adjust the Sound Management item

Push the Control knob to [◀◀] or [▶▶].

Each time the knob is pushed, the setting switches as shown below.

Sound Managemnt Item	Range
Cabin Setting	OFF/ COMPACT/ FULL SIZE CAR/ WAGON1/ WAGON2/ MINI VAN1/ MINI VAN2/ SUV/ MINI VAN LONG
Speaker Select Front	6 ½/ 6 ¾/ 7/ 4x6/ 5x7/ 6x8/ 6x9/ 7x10/ OEM/ 4/ 5 (inch)
Speaker Select Rear	6 ½/ 6 ¾/ 7/ 4x6/ 5x7/ 6x8/ 6x9/ 7x10/ None/ OEM/ 4/ 5 (inch)
Speaker Select Subwoofer	8/ 10/ 12/ 15over/ None/ 6 ½(inch)

6 Exit Sound Managemnt mode

Press the [6] ("RTN") button.

Equalizer Control

1 Select the source for adjustment

Press the [SRC] button.

2 Select the key function section

Press the [NEXT] button.

Repeatedly press the button until "EQ"/"SYS.Q" is displayed above the [3] (KDC-X889/MP828)/[1] (KDC-MP7028/MP728/X789/MP628) button. Refer to <Notes on Multi-function Key System> (page 9).

3 Enter Equalizer Control mode

Press the [3] ("EQ"/[1] ("SYS.Q")) button.



- When "2 ZONE" of <Audio Setup> (page 13) is ON, you cannot select "EQ". (KDC-X889/MP828 only)

4 Select the Equalizer Control item for adjustment

Press the [1] — [3]/[5] button.

Multi-function key operation	Equalizer Control Item
[1] "SYS.Q"	System Q Setting
[2] "F"*	Equalizer Front Setting
[3] "R"*	Equalizer Rear Setting
[5] "Preset"*	[1] "CALL" Call mode [2] "MEM" Memory mode



- * Function of the KDC-X889/MP828
- "Preset": You can store an adjusted equalizer control value by selecting "MEM". Refer to <Memory mode> (page 18). Also, you can recall it by selecting "CALL". Refer to <Memory Recall mode> (page 18).

5 Adjust the Equalizer control item

System Q Setting (Sound Type)

Push the Control knob to [◀◀] or [▶▶].

Each time the knob is pushed, the setting switches as shown below.

KDC-X889/MP828

Sound setting	Display
User memory	"USER"
Natural	"NATURAL"
Rock	"ROCK"
Pops	"POPS"
Easy	"EASY"
Top 40	"TOP 40"
Jazz	"JAZZ"

KDC-MP7028/ MP728/X789/MP628

Sound setting	Display
User memory	"USER"
Rock	"ROCK"
Pops	"POPS"
Easy	"EASY"
Top 40	"TOP 40"
Jazz	"JAZZ"
Natural	"NATURAL"



- User memory:
The values set on the <Audio Control> (page 10/12).
- Each setting value is changed with the <Speaker Setting> (KDC-MP7028/MP728/X789/MP628) (page 13) / <Sound Management system> (KDC-X889/MP828) (page 15).
First, select the speaker type with the Speaker setting.

Equalizer Front Setting/

Equalizer Rear Setting (KDC-X889/MP828 only)

1 Select a frequency band you wish to adjust

Press the [2] ("F") or [3] ("R") button.

Each time the button is pressed, it switches between "Band 1" and "Band 4".

2 Select the adjustment items for Equalizer.

Push the Control knob to [FM] or [AM].

Each time the button is pressed, the items that can be adjusted switch as shown below.

3 Adjust the Equalizer.

Push the Control knob to [◀◀] or [▶▶].

Each time the knob is pushed, the setting switches as shown below.

Equalizer adjustment item	Range
Equalizer Front Frequency/ Equalizer Rear Frequency	Refer to the followings.
Equalizer Front Level/ Equalizer Rear Level	-9 — +9
Equalizer Front Quality/ Equalizer Rear Quality	0.25/ 0.50/ 1.00/ 2.00



- The frequency which can be selected by each Frequency band is shown below.

Band	Frequency
Band1	60/ 80/ 100/ 120/ 160/ 200 (Hz)
Band2	250/ 315/ 400/ 500/ 630/ 800 (Hz)/ 1 (kHz)
Band3	1.25/ 1.6/ 2/ 2.5/ 3.15/ 4 (kHz)
Band4	5/ 6.3/ 8/ 10/ 12.5/ 16 (kHz)



- To get the best sound, first set the Cabin Setting and Speaker Select Front/Rear parameters using the <Sound Management system> (page 15).

6 Exit Equalizer Control mode

(KDC-X889/MP828 only)

Press the [6] ("RTN") button.

WOW Control

1 Select the source for adjustment

Press the [SRC] button.

2 Select the key function section

Press the [NEXT] button.

Repeatedly press the button until "WOW" is displayed above the [4] button.

Refer to <Notes on Multi-function Key System> (page 9).

3 Enter WOW Control mode

Press the [4] ("WOW") button.



- When "2 ZONE" of <Audio Setup> (page 13) is ON, you cannot select "WOW".

4 Select the WOW Control item for adjustment

Press the [1] — [5] button.

Multi-function keyoperation	WOW Control Item
[1] "EFFECT"	Effect
[2] "FOCUS"	FOCUS
[3] "TB_F"	TruBass Front
[4] "TB_R"	TruBass Rear
[5] "SRS 3D"	SRS 3D

5 Adjust the WOW control item

Push the Control knob to [◀◀] or [▶▶].

Each time the knob is pushed, the setting switches as shown below.

WOW Control Item	Range
Effect	Mid/High/User/Through/Low
FOCUS	OFF/1 — 9
TruBass Front	OFF/1 — 4
TruBass Rear	OFF/1 — 4
SRS 3D	OFF/1 — 4



- WOW: TruBass, FOCUS and SRS 3D are all set to values shown below.

WOW	TruBass	FOCUS	SRS 3D
High	4	8	4
Mid	3	6	2
Low	2	3	1

- FOCUS: Adjusts the vertical position of the front speaker and sound image by virtual adjustment.

- TruBass: Assisting the playback for the super bass sound.
- SRS 3D: Making a natural 3D sound field.
- SRS 3D cannot be set in tuner source.

6 Exit WOW Control mode

Press the [6] ("RTN") button.



- To get the best sound, first set the Speaker select.

Bypass Control

DSP (Digital Signal Processor) System can be bypassed temporarily by this function.

1 Select the source for adjustment

Press the [SRC] button.

2 Select the key function section

Press the [NEXT] button.

Repeatedly press the button until "On Off" is displayed above the [5] button.

Refer to <Notes on Multi-function Key System> (page 9).

3 Enter Bypass Control mode

Press the [5] ("On Off") button.



- When "2 ZONE" of <Audio Setup> (page 13) is ON, you cannot select "On Off".

4 Set up Bypass

Push the Control knob to [◀◀] or [▶▶].

"Bypass": There is no effect by DSP.

"Through": There is an effect by DSP.

5 Exit Bypass Control mode

Press the [6] ("RTN") button.



- When it is set to "Bypass", DSP System cannot be adjusted.
- When it is set to "Bypass", ODD D/A System is not effective.

General features

Function of the KDC-X889/KDC-MP828

Memory mode

The values of Field Control can be stored in memory.

1 Adjust the item you wish to put in memory

By referring to <Sound Field Control> (page 14), <Sound Management system> (page 15), and <Equalizer Control> (page 16), adjust the item you wish to put in the memory.

2 Select the Preset Memory item section

Press the [6] ("RTN") button.

Repeatedly press the button until "Preset" is displayed above the [5] button.

3 Select the Preset Memory item

Press the [5] ("Preset") button.

4 Enter Memory mode

Press the [2] ("MEM") button.

5 Put in the memory

Press the [1] ("MEM.1") / [2] ("MEM.2") button for at least 2 seconds.

6 Exit Memory mode

Press the [6] ("RTN") button.



- "MEM.1": When you press the Reset, all the sources will be the setting value which is registered.

Function of the KDC-X889/KDC-MP828

Memory Recall mode

Recall the value in the memory by the memory mode.

1 Select the source for adjustment

Press the [SRC] button.

2 Select the key function

Press the [1] ("S.F.C") / [2] ("S.M.S") / [3] ("EQ") button.

Refer to <Notes on Multi-function Key System> (page 9).

3 Select the Preset Memory item

Press the [5] ("Preset") button.

4 Enter recall mode

Press the [1] ("CALL") button.

5 Select the recall item

Press the [1] ("CALL1") / [2] ("CALL2") button for at least 2 seconds.

"CALL1": Recall the value put in "MEM.1" by <Memory mode> (page 18).

"CALL2": Recall the value put in "MEM.2" by <Memory mode> (page 18).

6 Exit Memory Recall mode

Press the [6] ("RTN") button.

Station/Disc Naming (SNPS/DNPS)

Attaching a title to a Station or CD.

1 Receive/play the station/disc you want to attach a title to



- A title can't be attached to MD or Audio file media.

2 Enter Menu mode

Press the [MENU] button for at least 1 second.

"Menu" is displayed.

3 Select Name set mode

Push the Control knob to [FM] or [AM].

Select the "Name Set" display.

4 Enter Name set mode

Press the Control knob for at least 1 second.

5 Move the cursor to the enter character position

Push the Control knob to [◀◀] or [▶▶].

6 Select the character type

Press the Control knob.

Each time the knob is pressed, the character type switches as shown below.

Character type
Alphabet upper case
Alphabet lower case
Numbers and symbols
Special characters (Accent characters)

7 Select the characters

Push the Control knob to [FM] or [AM].



- Characters can be entered by using a remote with a numbers buttons.

Example: If "DANCE" is entered.

Character	Button	Times pressed
"D"	[3]	1
"A"	[2]	1
"N"	[6]	2
"C"	[2]	3
"E"	[3]	2

8 Repeat steps 5 through 7 and enter the name.

9 Exit Menu mode

Press the [MENU] button.



- When operation stops for 10 seconds the name at that time is registered, and Name Set mode closes.
- Memory numbers
 - FM/AM: 30 stations
 - Internal CD player: 10 discs
 - External CD changer/ player: Varies according to the CD changer/ player manual.
- The title of station/CD can be changed by the same operation used to name it.

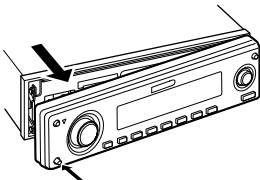
Theft Deterrent Faceplate

The faceplate of the unit can be detached and taken with you, helping to deter theft.

Removing the Faceplate

Press the Release button.

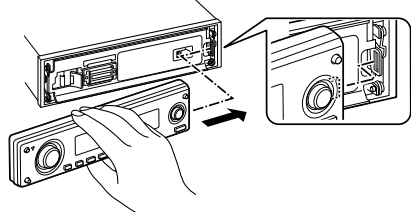
The faceplate is unlocked, allowing you to detach it.



- The faceplate is a precision piece of equipment and can be damaged by shocks or jolts. For that reason, keep the faceplate in its special storage case while detached.
- Do not expose the faceplate or its storage case to direct sunlight or excessive heat or humidity. Also avoid places with too much dust or the possibility of water splashing.

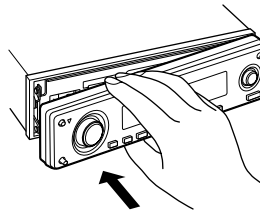
Reattaching the Faceplate

1 Align the shaft on the unit with the depression on the faceplate.



2 Push the faceplate in until it clicks.

The faceplate is locked in place, allowing you to use the unit.



Faceplate Angle Adjustment

Press the [ANG] button for at least 1 second.



- Do not apply excessive force to the faceplate. It can cause damage.

General features

Display Mode Switching

Switching the display mode.

1 Select the key function section

Press the [NEXT] button.

Repeatedly press the button until "DISP" is displayed above the [6] (KDC-X889/MP828)/[2] (KDC-MP7028/MP728/X789/MP628) button. Refer to <Notes on Multi-function Key System> (page 9).

2 Enter display control mode

Press the [6]/[2] ("DISP") button.


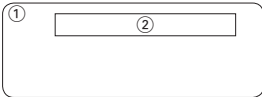
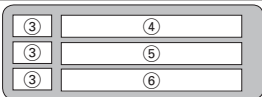
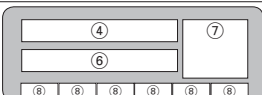

3 Select the display mode

Press the [1] ("MODE") button.

4 Select the display Type

Push the Control knob to [◀◀] or [▶▶].

Each time the knob is pushed, the display mode switches as shown below.

Display Mode	Display
"Display Type A"	
"Display Type B"	
"Display Type C"	
"Display Type D"	
"Display Type E"*	

- ① Graphic display part
- ② Text display part
- ③ Text icon display part
- ④ Upper text display part
- ⑤ Middle text display part
- ⑥ Lower text display part
- ⑦ Source icon display part
- ⑧ Function item display
- ⑨ G-Analyzer display part



- * Function of the KDC-X889/MP828/MP7028/MP728/X789

5 Exit display control mode

Press the [6] ("RTN") button.



- Under the display type other than "Display Type D", the function item is not displayed. When the display type other than "Display Type D" is selected, press [1] to [6] buttons or [NEXT] button. The function item will be displayed approximately 5 seconds.
- The information can be switched by the Display Type. Refer to the page on the following table for the methods to switch by the Display Type.

Display Type	A	B	C	D	E
Graphic ①	20	20	—	—	—
Text ②	—	22	—	—	—
Upper ④	—	—	23	23	—
Middle ⑤	—	—	23	—	—
Lower ⑥	—	—	23	23	—
G-Analyzer ⑨	—	—	—	—	27

Display Type A/ Display Type B

Graphic part/ Spectrum Analyzer Display Switching

Switching the graphic Display/ Spectrum analyzer display.

1 Select the key function section

Press the [NEXT] button.

Repeatedly press the button until "DISP" is displayed above the [6] (KDC-X889/MP828)/[2] (KDC-MP7028/MP728/X789/MP628) button. Refer to <Notes on Multi-function Key System> (page 9).

2 Enter display control mode

Press the [6]/[2] ("DISP") button.

3 Select the display mode

Press the [1] ("MODE") button.

4 Select the display Type

Push the Control knob to [◀◀] or [▶▶].

Select the "Display Type A"/ "Display Type B" display.

5 Select the graphic/ spectrum analyzer display

Press the [3] ("Graph") button.

6 Select the graphic/ spectrum analyzer display part display

Push the Control knob to [◀◀] or [▶▶].

Each time the button is pressed, the graphic display/ spectrum analyzer display switches as shown below.

Graphic display/ Spectrum Analyzer display
Movie 1
Movie 2
Movie 3 (KDC-X889/MP828 only)
*Downloaded movie
Spectrum analyzer 1
Spectrum analyzer 2
Spectrum analyzer 3
Spectrum analyzer 4 (KDC-X889/MP828 only)
Spectrum analyzer 5 (KDC-X889/MP828 only)
Wallpaper & *Downloaded Wallpaper



- * Function of the KDC-X889/MP828/X789
- * Downloaded movie and Downloaded Wall Paper, refer to <Picture downloading> (page 48).
- KDC-X789 doesn't display the Spectrum analyzer.

7 Exit display control mode

Press the [6] ("RTN") button.



- The setting of this function is available while "Display Type A"/ "Display Type B" is selected for the Display mode.

Display Type A/ Display Type B

Wallpaper selecting

Select a wallpaper to display when Display Type is set to "Display Type A"/ "Display Type B".

1 Select the wallpaper display

Refer to <Graphic part/ Spectrum Analyzer Display Switching> (page 20).

2 Select the wallpaper

Display the wallpapers one after another and select one

1 Turn the wallpaper scan ON.

Press the Control knob.

Each time the knob is pressed, the Wallpaper scan is turned ON and OFF.

When it's ON, "SCAN" is displayed.

When it's ON, each wallpaper is displayed every several seconds.

2 At the wallpaper you want to display.

Press the Control knob.

Select wallpaper manually

1 Turn the wallpaper scan OFF.

Press the Control knob.

Each time the knob is pressed, the Wallpaper scan is turned ON and OFF.

2 Select the wallpaper.

Push the Control knob to [FM] or [AM].

Each time the knob is pushed, the Wallpaper changes.

3 Exit Display Control mode

Press the [6] ("RTN") button.

General features

Display Type B

Text Display Switching

Switching the text display.

1 Select the key function section

Press the [NEXT] button.

Repeatedly press the button until "DISP" is displayed above the [6] (KDC-X889/MP828)/[2] (KDC-MP7028/MP728/X789/MP628) button. Refer to <Notes on Multi-function Key System> (page 9).

2 Enter display control mode

Press the [6]/[2] ("DISP") button.

3 Select the display mode

Press the [1] ("MODE") button.

4 Select the display Type

Push the Control knob to [◀◀] or [▶▶].

Select the "Display Type B" display.

5 Enter text select mode

Press the [2] ("TEXT") button.

6 Select the text

Push the Control knob to [◀◀] or [▶▶].

Refer to the table described later for setting items.

7 Exit Display Control mode

Press the [6] ("RTN") button.

In Tuner source

Information	Display
Station name, Program Service name*2 or Frequency	"BAND+ch+SNPS"
Radio text, Program Service name or Frequency (FM)*2	"Radio Text"
Frequency (FM,AM)	"BAND+ch+FREQ"
Clock	"Clock"
Date	"Date"

In CD & External disc source

Information	Display
Disc title	"Disc Title"*1
Track title	"Track Title"*1
Track number & Play time	"P-Time"
Disc name	"DNPS"
Clock	"Clock"
Date	"Date"

In Audio file source

Information	Display
Song title & Artist name	"Title/Artist"*1
Album name & Artist name	"Album/Artist"*1
Folder name	"Folder Name"
File name	"File Name"
Play time & File number	"P-Time"
Clock	"Clock"
Date	"Date"

In Auxiliary input source

Information	Display
Auxiliary input name	"AUX Name"/"AUX EXT"
Clock	"Clock"
Date	"Date"

In HD Radio source

Information	Display
Station name	"Station Name"*1
Title	"Title"*1
Frequency	"Frequency"
Clock	"Clock"
Date	"Date"

In Standby

Information	Display
Standby	"STANDBY"
Clock	"Clock"
Date	"Date"

In SIRIUS tuner source

Information	Display
Channel Name	"Channel Name"
Song Title	"Song Title"
Artist Name	"Artist Name"
Composer name	"Composer Name"
Category Name	"Category Name"
Label Name	"Label Name"
Comment	"Comment"
Band & Channel Number	"Channel Number"
Clock	"Clock"
Date	"Date"



- *1 If the contents of the information cannot be displayed, Play time or Frequency is displayed.
- *2 Function of the KDC-X889/MP828/X789
- Auxiliary input name is displayed for the Auxiliary input source.
- If the text for the Sirius tuner source, including Channel name, etc. is selected when the channel which does not have text for the Sirius tuner source, including Channel name, etc. is played, band & channel number is displayed.
- When LX-AMP is connected, the item setup by the Display mode of LX-AMP is displayed.
- File number at Audio file displays the last 3 digits when it exceeds 1000 songs (KDC-X889/MP828/X789 only).
- Album name cannot be displayed in WMA file. (KDC-MP7028/MP728/MP628 only)
- Song title, Artist name, and Album name cannot be displayed in AAC file. (KDC-MP7028/MP728/MP628 only)

Display Type C/ Display Type D Text Display Switching

Switching the text display.

1 Select the key function section

Press the [NEXT] button.

Repeatedly press the button until "DISP" is displayed above the [6] (KDC-X889/MP828)/[2] (KDC-MP7028/MP728/X789/MP628) button. Refer to <Notes on Multi-function Key System> (page 9).

2 Enter display control mode

Press the [6]/[2] ("DISP") button.

3 Select the display mode

Press the [1] ("MODE") button.

4 Select the display Type

Push the Control knob to [◀◀] or [▶▶].

Select the "Display Type C"/"Display Type D" display.

5 Enter text select mode

Press the [2] ("TEXT") button.

6 Select the text display part

Push the Control knob to [FM] or [AM].

The cursor (➡) moves to the selected text display part.

Select the text

Push the Control knob to [◀◀] or [▶▶].

Refer to the table described later for setting items.

7 Exit Display Control mode

Press the [6] ("RTN") button.



- The information displayed in Upper text display part, Middle text display part and Lower text display part can be switched when "Display Type C" is selected.
- The information displayed in Upper text display part and Lower text display part can be switched when "Display Type D" is selected.
- Same information cannot be displayed in Upper text display part, Middle text display part and Lower text display part. However, the blank display is able to have multiple selections.
- KDC-X789 doesn't display the Spectrum analyzer.
- Album name cannot be displayed in WMA file. (KDC-MP7028/MP728/MP628 only)
- When LX-AMP is connected, the item setup by the Display mode of LX-AMP is displayed.
- Song title, Artist name, and Album name cannot be displayed in AAC file. (KDC-MP7028/MP728/MP628 only)
- If the text for the Sirius tuner source, including Channel name, etc. is selected when the channel which does not have text for the Sirius tuner source, including Channel name, etc. is played, band & channel number is displayed.

General features

The text display in the Upper text display part

In Tuner source

Information	Display
Station name, Program Service name* ¹ or Frequency	"BAND+ch+SNPS"
Radio text, Program Service name or Frequency (FM)* ¹	"Radio Text"
Frequency (FM,AM)	"BAND+ch+FREQ"
Spectrum Analyzer & Clock	"Speana/Clock"
Date	"Date"

In CD & External disc source

Information	Display
Disc title	"Disc Title"* ²
Track title	"Track Title"* ²
Track number & Play time	"P-Time"
Disc name	"DNPS"
Spectrum Analyzer & Clock	"Speana/Clock"
Date	"Date"

In Audio file source

Information	Display
Song title & Artist name	"Title/Artist"* ²
Album name & Artist name	"Album/Artist"* ²
Folder name	"Folder Name"
File name	"File Name"
Play time & File number	"P-Time"
Spectrum Analyzer & Clock	"Speana/Clock"
Date	"Date"

In Standby

Information	Display
Standby	"STANDBY"
Clock	"Clock"
Date	"Date"

In Auxiliary input source

Information	Display
Auxiliary input name	"AUX Name"/"AUX EXT"
Spectrum Analyzer & Clock	"Speana/Clock"
Date	"Date"

In HD Radio source

Information	Display
Station name	"Station Name"* ²
Title	"Title"* ²
Frequency	"Frequency"
Spectrum Analyzer & Clock	"Speana/Clock"
Date	"Date"

In SIRIUS tuner source

Information	Display
Channel Name	"Channel Name"
Song Title	"Song Title"
Artist Name	"Artist Name"
Composer name	"Composer Name"
Category Name	"Category Name"
Label Name	"Label Name"
Comment	"Comment"
Band & Channel Number	"Channel Number"
Spectrum Analyzer & Clock	"Speana/Clock"
Date	"Date"



- *¹ Function of the KDC-X889/MP828/X789
- *² If the contents of the information cannot be displayed, Play time or Frequency is displayed.
- Auxiliary input name is displayed for the Auxiliary input source.
- File number at Audio file displays the last 3 digits when it exceeds 1000 songs (KDC-X889/MP828/X789 only).

The text display in the Middle text display part (Display Type C)

In Tuner source

Information	Display
Spectrum Analyzer & Clock	"Speana/Clock"
Date	"Date"
Blank	"Blank"
Radio text (FM) (KDC-X889/MP828/X789only)	"Radio Text"*

In CD & External disc source

Information	Display
Spectrum Analyzer & Clock	"Speana/Clock"
Date	"Date"
Blank	"Blank"
Disc title	"Disc Title"*
Track title	"Track Title"*
Disc name	"DNPS"

In Audio file source

Information	Display
Spectrum Analyzer & Clock	"Speana/Clock"
Date	"Date"
Blank	"Blank"
Song title & Artist name	"Title/Artist"*
Album name & Artist name	"Album/Artist"*
Folder name	"Folder Name"
File name	"File Name"

Standby source

Information	Display
Clock	"Clock"
Date	"Date"
Blank	"Blank"

In Auxiliary input

Information	Display
Spectrum Analyzer & Clock	"Speana/Clock"
Date	"Date"
Blank	"Blank"

In HD Radio source

Information	Display
Spectrum Analyzer & Clock	"Speana/Clock"
Date	"Date"
Blank	"Blank"
Title	"Title"*

In SIRIUS tuner source

Information	Display
Spectrum Analyzer & Clock	"Speana/Clock"
Date	"Date"
Blank	"Blank"
Channel Name	"Channel Name"
Song Title	"Song Title"
Artist Name	"Artist Name"
Composer name	"Composer Name"
Category Name	"Category Name"
Label	"Label Name"
Comment	"Comment"



- * If the contents of the information cannot be displayed, Kenwood Logo displayed. However, In HD Radio source, a display become a blank display.

General features

The text display in the Lower text display part

In Tuner source

Information	Display
Indicator	"Indicator"
Spectrum Analyzer & Clock	"Speana/Clock"
Date	"Date"
Blank	"Blank"
Radio text (FM)(KDC-X889/MP828/X789 only)	"Radio Text"*

In CD & External disc source

Information	Display
Indicator	"Indicator"
Spectrum Analyzer & Clock	"Speana/Clock"
Date	"Date"
Blank	"Blank"
Disc title	"Disc Title"*
Track title	"Track Title"*
Disc name	"DNPS"

In Audio file source

Information	Display
Indicator	"Indicator"
Spectrum Analyzer & Clock	"Speana/Clock"
Date	"Date"
Blank	"Blank"
Song title & Artist name	"Title/Artist"*
Album name & Artist name	"Album/Artist"*
Folder name	"Folder Name"
File name	"File Name"

Standby source

Information	Display
Indicator	"Indicator"
Clock	"Clock"
Date	"Date"
Blank	"Blank"

In Auxiliary input

Information	Display
Indicator	"Indicator"
Spectrum Analyzer & Clock	"Speana/Clock"
Date	"Date"
Blank	"Blank"

In HD Radio source

Information	Display
Indicator	"Indicator"
Spectrum Analyzer & Clock	"Speana/Clock"
Date	"Date"
Blank	"Blank"
Title	"Title"*

In SIRIUS tuner source

Information	Display
Indicator	"Indicator"
Spectrum Analyzer & Clock	"Speana/Clock"
Date	"Date"
Blank	"Blank"
Channel Name	"Channel Name"
Song Title	"Song Title"
Artist Name	"Artist Name"
Composer name	"Composer Name"
Category Name	"Category Name"
Label	"Label Name"
Comment	"Comment"



- * If the contents of the information cannot be displayed, indicator displayed. However, In HD Radio source, a display become a blank display.

Display Type C/ Display Type D

Font Color Select

Selecting the display font color.

1 Select the key function section

Press the [NEXT] button.

Repeatedly press the button until "DISP" is displayed above the [6] (KDC-X889/MP828)/[2] (KDC-MP7028/MP728/X789/MP628) button. Refer to <Notes on Multi-function Key System> (page 9).

2 Enter display control mode

Press the [6]/[2] ("DISP") button.

3 Select the display mode

Press the [1] ("MODE") button.

4 Select the display Type

Push the Control knob to [◀◀] or [▶▶].

Select the "Display Type C"/"Display Type D" display.

5 Enter Font Color select mode

Press the [4] ("COLOR") button.

6 Select the text display part

Push the Control knob to [FM] or [AM].

The cursor (➡) moves to the selected text display part.

Select the Font Color

Push the Control knob to [◀◀] or [▶▶].

7 Exit display control mode

Press the [6] ("RTN") button.

Function of the KDC-X889/KDC-MP828/KDC-MP7028/KDC-MP728/KDC-X789 Display Type E

G-Analyzer display Switching

Switches G-Analyzer display when the Display type is set to "Display Type E". (G: gravity)



- Before switching G-Analyzer display, <G-Counter Level set> (page 44) and <G-Analyzer Calibration set> (page 44) are required to be setup.

1 Select the key function section

Press the [NEXT] button.

Repeatedly press the button until "DISP" is displayed above the [6] (KDC-X889/MP828)/[2] (KDC-MP7028/MP728/X789) button.

Refer to <Notes on Multi-function Key System> (page 9).

2 Enter display control mode

Press the [6]/[2] ("DISP") button.

3 Select the display mode

Press the [1] ("MODE") button.

4 Select the display Type

Push the Control knob to [◀◀] or [▶▶].

Select the "Display Type E" display.

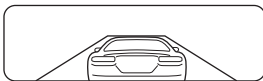
5 Enter G-Analyzer display select mode

Press the [3] ("GMENU") button.

6 Select the G-Analyzer display

Push the Control knob to [◀◀] or [▶▶].

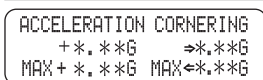
G-Force Sensor display



G- Graphic display



G-Meter display
(Graphic)



G-Meter display
(Text)



G-Counter display



- G-Graphic display
Displays the condition of G on horizontal direction (e.g; when turning the curve) by the graphic.
- G-Meter display (Graphic)
Displays the maximum value of acceleration G, right direction G, and left direction G by the numerical value.
- G-Meter display (Text)
The maximum value of acceleration G, right direction G, and left direction G is displayed by the numerical value. The value of G is only the reference so it is differed from the actual value.
- G-Counter display
Adds the point of the acceleration level. The point is determined after a lapse of 1 hr drive or at power off (ex; ACC Off), and then it will be displayed by the graph. Furthermore, it displays the average of the past data by the line. (The scale of graph is determined along with the largest point among the past 10 data.)
- The value of G-Meter display and G-Counter display can be reset by <G-Analyzer Reset> (page 44).

7 Exit display control mode

Press the [6] ("RTN") button.

TEL Mute

The audio system automatically mutes when a call comes in.

When a call comes in

"CALL" is displayed.

The audio system pauses.

Listening to the audio during a call

Press the [SRC] button.

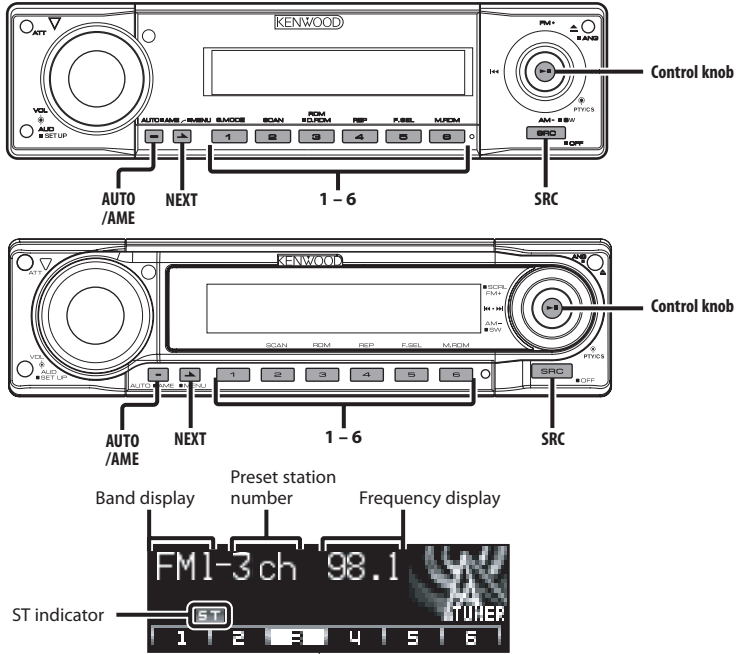
The "CALL" display disappears and the audio system comes back ON.

When the call ends

Hang up the phone.

The "CALL" display disappears and the audio system comes back ON.

Tuner features



www.DataSheet4U.com

Tuning

Selecting the station.

1 Select tuner source

Press the [SRC] button.

Select the "TUNER" display.

2 Select the band

Push the Control knob to [FM] or [AM].

Each time the knob is pushed to [FM], it switches between the FM1, FM2, and FM3 bands.

3 Tune up or down band

Push the Control knob to [◀◀] or [▶▶].



- During reception of stereo stations the "ST" indicator is ON.

Tuning Mode

Choose the tuning mode.

Press the [AUTO] button.

Each time the button is pressed, the Tuning mode switches as shown below.

Tuning mode	Display	Operation
Auto seek	"Seek Mode Auto 1"	Automatic search for a station.
Preset station seek	"Seek Mode Auto 2"	Search in order of the stations in the Preset memory.
Manual	"Seek Mode Manual"	Normal manual tuning control.

Function of remote

Direct Access Tuning

Entering the frequency and tuning.

1 Select the band

Press the [FM] or [AM] button.

2 Enter Direct Access Tuning mode

Press the [DIRECT] button on the remote.

"- - - -" is displayed.

3 Enter the frequency

Press the number buttons on the remote.

Example:

Desired frequency	Press button
92.1 MHz (FM)	[0], [9], [2], [1]
810 kHz (AM)	[0], [8], [1], [0]

Canceling Direct Access Tuning

Press the [DIRECT] button on the remote.

Station Preset Memory

Putting the station in the memory.

1 Select the band

Push the Control knob to [FM] or [AM].

2 Select the frequency to put in the memory

Push the Control knob to [◀◀] or [▶▶].

3 Select the key function section

Press the [NEXT] button.

Repeatedly press the button until "[1]" — "[6]" are displayed above the [1] — [6] buttons.

Refer to <Notes on Multi-function Key System> (page 9).

4 Put the frequency in the memory

Press the desired [1] — [6] button for at least 2 seconds.

The preset number display blinks 1 time.

On each band, 1 station can be put in the memory on each [1] — [6] button.

Auto Memory Entry

Putting stations with good reception in the memory automatically.

1 Select the band for Auto Memory Entry

Push the Control knob to [FM] or [AM].

2 Open Auto Memory Entry

Press the [AME] button for at least 2 seconds.

When 6 stations that can be received are put in the memory Auto Memory Entry closes.



• When Auto Memory Entry is done in the FM2 band, the RDS stations preset in the FM1 band aren't put in the memory.

Likewise, when it is done in the FM3 band, RDS stations preset in FM1 or FM2 aren't put in the memory.

Preset Tuning

Calling up the stations in the memory.

1 Select the band

Push the Control knob to [FM] or [AM].

2 Select the key function section

Press the [NEXT] button.

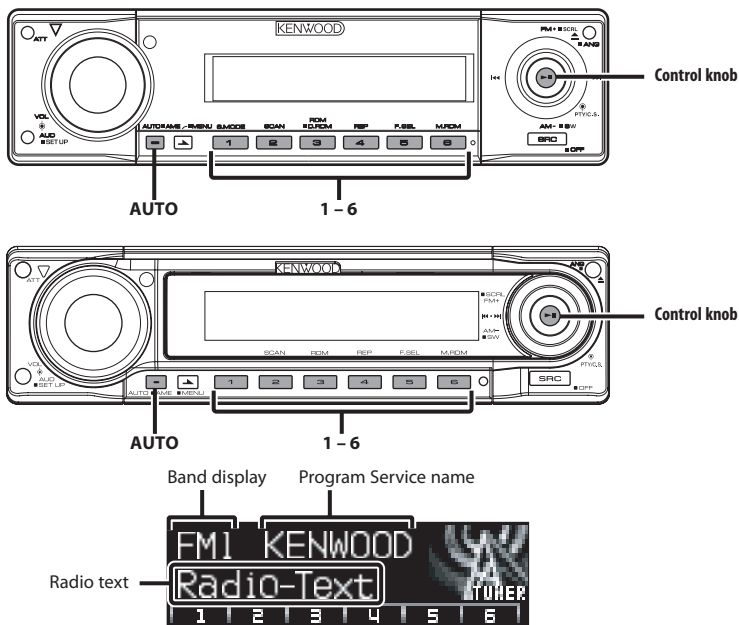
Repeatedly press the button until "[1]" — "[6]" are displayed above the [1] — [6] buttons.

Refer to <Notes on Multi-function Key System> (page 9).

3 Call up the station

Press the desired [1] — [6] button.

RDS features



Radio Text Scroll

Scrolling the displayed radio text.

Hold down on [FM] of the Control knob for at least 1 second.

PTY (Program Type)

Selecting the Program Type and searching for a station.

1 Enter PTY mode

Press the Control knob.

"PTY Select" is displayed.



- This function can't be used during a traffic bulletin or AM reception.

2 Select the Program Type

Push the Control knob to [FM] or [AM].

No.	Program Type	Display
1.	Speech	"All Speech"
2.	Music	"All Music"
3.	News	"News"
4.	Information	"Information"
5.	Sports	"Sports"
6.	Talk	"Talk"
7.	Rock	"Rock"
8.	Classic Rock	"Classic Rock"
9.	Adult Hits	"Adult Hits"
10.	Soft Rock	"Soft Rock"
11.	Top 40	"Top 40"
12.	Country	"Country"
13.	Oldies	"Oldies"
14.	Soft	"Soft"
15.	Nostalgia	"Nostalgia"
16.	Jazz	"Jazz"
17.	Classical	"Classical"
18.	R & B	"Rhythm & Blues"
19.	Soft R & B	"Soft R & B"
20.	Language	"Foreign Language"
21.	Religious Music	"Religious Music"
22.	Religious Talk	"Religious Talk"

23.	Personality	"Personality"
24.	Public	"Public"
25.	College	"College"
26.	Weather	"Weather"



- Speech and Music include the Program type below.
Music: No.7 — 19, 21
Speech: No.3 — 6, 20, 22 — 26
- The Program Type can be put in the [1] — [6] button memory and called up quickly. Refer to the <Program Type preset> (page 31).

3 Search for the selected Program Type station

Push the Control knob to [◀◀] or [▶▶].

When you want to search for other stations, push [◀◀] or [▶▶] of the Control knob again.



- When selected Program Type isn't found, "No PTY" is displayed. Select another Program Type.

4 Exit PTY mode

Press the Control knob.

Registration of a station as a PTY

Registering a Program Type for stations with no PTY data.

1 Receive the station you want to register

2 Select the Program Type to register

Refer to <PTY (Program Type)> (page 30).

3 Register the Program Type

Press the [AUTO] button for at least 2 seconds.

Confirming the Program Type

Press the [AUTO] button.

The Program Type is displayed for 5 seconds.

4 Exit PTY mode

Press the Control knob.

Program Type preset

Putting the Program Type in the Preset button memory and calling it up quickly.

Presetting the Program Type

1 Select the Program Type to preset

Refer to <PTY (Program Type)> (page 30).

2 Preset the Program Type

Press the desired [1] — [6] button for at least 2 seconds.

Calling up the preset Program Type

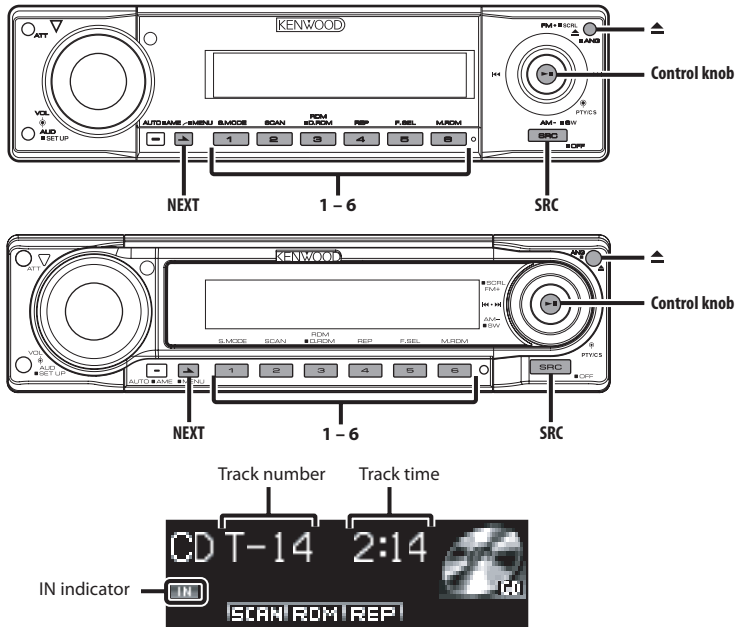
1 Enter PTY mode

Refer to <PTY (Program Type)> (page 30).

2 Call up the Program Type

Press the desired [1] — [6] button.

CD/Audio file/External disc control features



www.DataSheet4U.com

Playing CD & Audio file

When there is no disc inserted

- 1 **Open the panel.**
Press the [▲] button.
- 2 **Insert a disc.**



- When the faceplate has been slid open, it might interfere with the shift lever or something else. If this happens, pay attention to safety and move the shift lever or take an appropriate action, then operate the unit.
- Insert the disc horizontal to the slot. If you insert the Disc as you push down the Disc, it may scratch the Disc.



- Refer to <About AAC, MP3 and WMA> (page 8) for the Audio file by models which can be played.
- The announcement when selecting the folder can be canceled by <Voice Index> (page49) during the play of the ACDrive.
- When a disc is inserted the "IN" indicator is ON.

When a disc is inserted

Press the [SRC] button.
Select the "Compact Disc" display.

Pause and play

Press the Control knob.
Each time the knob is pressed, it pauses and plays.

Eject the disc

- 1 **Eject the disc**
Press the [▲] button.
- 2 **Return the panel to the original position**
Press the [▲] button.

Playing External Disc

Playing discs set in the optional accessory disc player connected to this unit.

Press the [SRC] button.

Select the display for the disc player you want.

Display examples:

Display	Disc player
"CD Changer"	CD changer
"MD Changer"	MD changer

Pause and play

Press the Control knob.

Each time the knob is pressed, it pauses and plays.



The functions that can be used and the information that can be displayed will differ depending on the external disc players being connected.

Fast Forwarding and Reversing

Fast Forwarding

Hold down on [▶▶] of the Control knob.

Release your finger to play the disc at that point.

Reversing

Hold down on [◀◀] of the Control knob.

Release your finger to play the disc at that point.



- The sound is not output while the Audio file is being searched.
- Fast Forwarding and Reversing cannot be done while AAC file is being played. (KDC-MP7028/MP728/MP628 only)
- Fast Forwarding and Reversing cannot be done depending on AAC file format. (KDC-X889/MP828/X789 only)

Track/File Search

Searching for a song on the disc or in the Audio file folder.

Push the Control knob to [◀◀] or [▶▶].

Function of disc changer/ Audio file

Disc Search/Folder Search

Selecting the disc set in the Disc changer or the folder recorded on the Audio file media.

Push the Control knob to [FM] or [AM].

Function of remote

Direct Track/File Search

Doing Track/File Search by entering the track/file number.

1 Enter the track/file number

Press the number buttons on the remote.



- Direct File Search can be selected up to 999. (KDC-X889/MP828/X789 only)

2 Do Track/File Search

Press the [◀◀] or [▶▶] button.

Canceling Direct Track/File Search

Press the [▶II] button.

Function of disc changers with remote

Direct Disc Search

Doing Disc Search by entering the disc number.

1 Enter the disc number

Press the number buttons on the remote.

2 Do Disc Search

Press the [+] or [-] button.

Canceling Direct Disc Search

Press the [▶II] button.

CD/Audio file/External disc control features

Track/File/Disc/Folder Repeat

Replaying the song, disc in the Disc changer or Audio file folder folder you're listening to.

1 Select the key function section

Press the [NEXT] button.

Repeatedly press the button until "REP" is displayed above the [4] button.

Refer to <Notes on Multi-function Key System> (page 9).

2 Turn ON/OFF the Repeat Play

Press the [4] ("REP") button.

Each time the button is pressed, the Repeat Play switches as shown below.

In CD & External disc source

Repeat play	Display
Track Repeat (In Disc Changer)	"Repeat ON" ("Track Repeat ON")
Disc Repeat (In Disc Changer)	"Disc Repeat ON"
OFF	"Repeat OFF"

In Audio file

Repeat play	Display
File Repeat	"File Repeat ON"
Folder Repeat	"Folder Repeat ON"
OFF	"Repeat OFF"

Scan Play

Playing the first part of each song on the disc or Audio file folder you are listening to and searching for the song you want to listen to.

1 Select the key function section

Press the [NEXT] button.

Repeat to press the button until "SCAN" is displayed above the [2] button.

Refer to <Notes on Multi-function Key System> (page 9).

2 Start Scan Play

Press the [2] ("SCAN") button.

"Scan ON"/"Track Scan ON" is displayed.

3 Release it when the song you want to listen to is played

Press the [2] button.

Random Play

Play all the songs on the disc or Audio file folder in random order.

1 Select the key function section

Press the [NEXT] button.

Repeatedly press the button until "RDM" is displayed above the [3] button.

Refer to <Notes on Multi-function Key System> (page 9).

2 Turn ON/OFF the Random Play

Press the [3] ("RDM") button.

Each time the button is pressed, Random Play turns ON and OFF.

When it's ON, "Random ON" is displayed.



- When the Control knob is pushed to [▶▶], the next random song starts.

Function of disc changer

Magazine Random Play

Play the songs on all the discs in the disc changer in random order.

1 Select the key function section

Press the [NEXT] button.

Repeatedly press the button until "M.RDM" is displayed above the [6] button.

Refer to <Notes on Multi-function Key System> (page 9).

2 Turning ON/OFF the Magazine Random Play

Press the [6] ("M.RDM") button.

Each time the button is pressed, the Magazine Random Play turns ON and OFF.

When it's ON, "Magazine RDM ON" is displayed.



- When the Control knob is pushed to [▶▶], the next random song starts.

Function of the KDC-X889/KDC-MP828/KDC-X789
Function of Audio file

Disc Random Play

Playing randomly from all of the Audio files recorded in the disc.

1 Select the key function section

Press the [NEXT] button.

Repeatedly press the button until "RDM" is displayed above the [3] button.

Refer to <Notes on Multi-function Key System> (page 9).

2 Turn ON the Disc Random Play

Press the [3] ("RDM") button for at least 1 second.

When it's ON, "Disc Random ON" is displayed.

Canceling the Disc Random Play

Press the [3] ("RDM") button.



- When the Control knob is pushed to [▶▶], the next random song starts.

Function of Audio file

Folder Select

Quickly selecting the folder you want to listen to.

1 Select the key function section

Press the [NEXT] button.

Repeatedly press the button until "FSEL" is displayed above the [5] button.

Refer to <Notes on Multi-function Key System> (page 9).

2 Enter Folder Select mode

Press the [5] ("FSEL") button.

"Select Mode" is displayed.

During Select mode the folder information is displayed as shown below.

Folder number display

Displays the number in the folder belonging to the currently selected folder.



Folder name display

Displays the current folder name.



- It doesn't function when <Disc Random Play> (page 35) is ON.

3 Select the folder level*

Push the Control knob to [FM] or [AM].

With the [FM] button, you move 1 level down and with the [AM] button 1 level up.

Selecting a folder in the same level

Push the Control knob to [◀◀] or [▶▶].

With the [◀◀] of the Control knob, you move to the previous folder, and with the [▶▶] of the Control knob to the next folder.

Returning to the top level*

Press the [3] ("HOME") button.



- * You can operate when <Switching the Play mode> (page 36) is set to "Folder Mode" while playing ACDrive. (KDC-X889/MP828/X789)

Scrolling the folder name display

Press the [SCRL] button.

4 Decide the folder to play

Press the [1] ("OK") button.

The Folder Select mode releases, and the Audio file in the folder being displayed is played.

Canceling the Folder Select mode

Press the [2] ("EXIT") button.

CD/Audio file/External disc control features

Function of the KDC-X889/KDC-MP828/KDC-X789
Function of ACDrive disc

Switching the Play mode

Arrange the playing orders of the songs by categories.

1 Select the key function section

Press the [NEXT] button.

Repeatedly press the button until "S.MODE" is displayed above the [1] button.

Refer to <Notes on Multi-function Key System> (page 9).

2 Select the Play mode

Press the [1] ("S.MODE") button.

Each time the button is pressed, the Play mode switches as follows.

Play mode	Category which is to be arranged
"Play List Mode"	Play list order.
"Genre Mode"	By genre.
"Artist Mode"	By artist.
"Album Mode"	By album.
"Folder Mode"	By the folder recorded in Disc.



- The category information of each song is the data registered in Media Manager when ACDrive disc is being generated.
- The announcement when the mode is switched can be canceled by <Voice Index> (page 49).
- The advancement of the Play mode information can be selected by [AM] and [FM] keys.

Function of the KDC-X889/KDC-MP828/KDC-X789
Function of the ACDrive disc

Letter Seek

The song, in which you want to play, can be searched by selecting the initial of Genre name, Artist name, or Album name.

1 Select the key function section

Press the [NEXT] button.

Repeatedly press the button until "S.MODE" is displayed above the [1] button.

Refer to <Notes on Multi-function Key System> (page 9).

2 Enter the Letter Seek mode

Press the [1] ("S.MODE") button for at least 1 second.



- It doesn't function when <Disc Random Play> (page 35) is ON.
- This function is available only when the Play mode is set Genre, Artist, or Album.

Canceling the Letter Seek

Press the [1] ("EXIT") button.

3 Start the Letter Seek

Push the Control knob to [◀◀] or [▶▶].

The initial of Genre name, Artist name, or Album name is displayed and read out by the order.



- The announcement of the initial can be canceled by <Voice Index> (page49).
- When the Control knob is pushed to the reverse of [◀◀] or [▶▶] while Letter Seek, the initial is displayed and read by the reversed order.
- When the Letter Seek is started, it cannot be cancelled.

4 Select the song to play

Press the Control knob when the initial of the song you are searching is displayed and read.

The selected initial group plays.



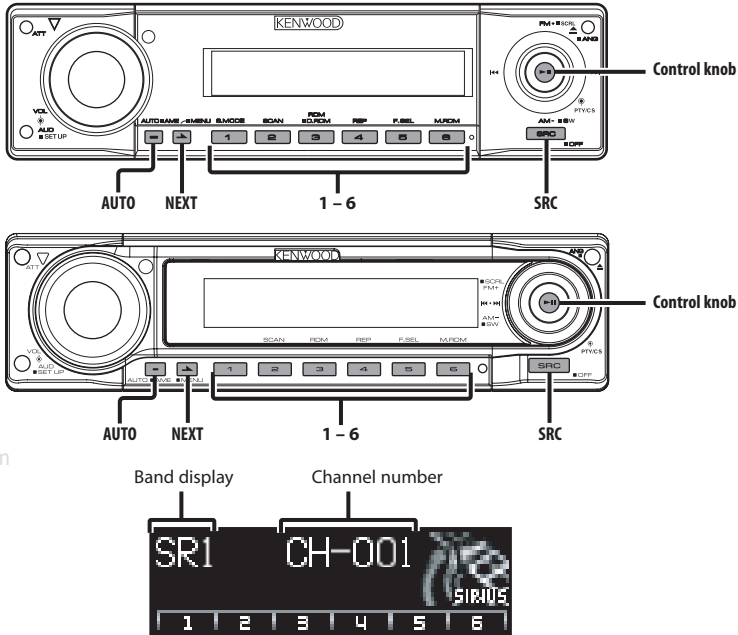
- The category with marks or letters that cannot be read cannot be selected.

Text/Title Scroll

Scrolling the displayed CD text, Audio file text, or MD title.

Hold down on [FM] of the Control knob for at least 1 second.

SIRIUS tuner control features



www.DataSheet4U.com

Select SIRIUS Satellite Radio Mode

Selecting the SIRIUS Satellite Radio Tuner (optional accessory) connected to this unit.

Selecting SIRIUS Mode

Press the [SRC] button.

Select the "SIRIUS" display.



- You need to subscribe to SIRIUS to receive the service by SIRIUS Satellite Radio. Consult SIRIUS if "CALL 888-539-SIRIUS TO SUBSCRIBE" appears.
- It may take a little time to start receiving after you selected the SIRIUS source.
- If the signal receiving fails, "Acquiring Signal" appears.

Switching Seek Mode

Sets the seeking mode.

Press the [AUTO] button.

Each time the button is pressed, the Seek mode switches as shown below.

Display	Operation
"Seek Mode Channel"	Normal manual seeking control.
"Seek Mode Preset"	Search in order of the channels in the Preset memory.

Select the channel

Selecting the channel.

Push the Control knob to [◀◀] or [▶▶].

SIRIUS tuner control features

Category and Channel Search

Selecting the channel and category you want to receive.

1 Enter Category and Channel Search mode

Press the Control knob.

2 Select the Category

Push the Control knob to [FM] or [AM].



- It is the item when the category of Middle text display part is selected.

3 Select the Channel

Push the Control knob to [◀◀] or [▶▶].



- Channel search cannot be done until the category information is acquired.

Cancelling Category and Channel Search mode

Press the Control knob.

Function of remote

Direct Access Tuning

Entering the channel and tuning.

1 Enter Direct Access Tuning mode

Press the [DIRECT] button on the remote.

2 Enter the channel

Press the number buttons.

3 Do Channel Search

Push the Control knob to [◀◀] or [▶▶].

Cancelling Direct Access Tuning

Press the [DIRECT] button on the remote.



- If you make no button operation for 10 seconds, the Direct Access Tuning mode is automatically canceled.
- You can set up until Channel number 223.
- If there is no signal in the input Channel, "NO CHANNEL" appears. (KTC-SR901: optional accessory)
- You cannot search for a channel number which is not broadcasting. (KTC-SR902/KTC-SR903: optional accessory)
- If you cannot receive any signal in the input Channel due to a bad condition on radio wave or another problem, "Acquiring Signal" appears.

Selecting the Preset Band

Push the Control knob to [FM].

Each time the knob is pushed, the preset band switches between the SR1, SR2, SR3 and SR4.

Channel Preset Memory

Putting the channel in the memory.

1 Select the preset band

Push the Control knob to [FM].

2 Select the channel to put in the memory

Push the Control knob to [◀◀] or [▶▶].

3 Select the key function section

Press the [NEXT] button.

Repeatedly press the button until "[1]" — "[6]" are displayed above the [1] — [6] buttons.

Refer to <Notes on Multi-function Key System> (page 9).

4 Put the channel in the memory

Press the desired [1] — [6] button for at least 2 seconds.

The preset number display blinks 1 time.

On each band, 1 channel can be put in the memory on each [1] — [6] button.



- Only the channel number is stored. Category information is not stored.

Preset Tuning

Calling up the channels in the memory.

1 Select the preset band

Push the Control knob to [FM].

2 Select the key function section

Press the [NEXT] button.

Repeatedly press the button until "[1]" — "[6]" are displayed above the [1] — [6] buttons.

3 Call up the channel

Press the desired [1] — [6] button.

Channel Scan

Every receivable Channel is checked for 10 seconds.

1 Start Channel Scan

Press the [AUTO] button for at least 2 seconds.

The channel number display blinks.

2 Release it when the song you want to listen to is received

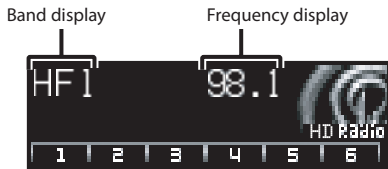
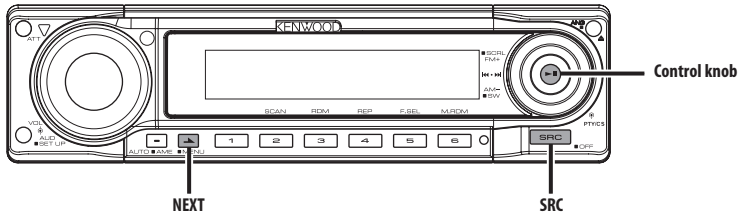
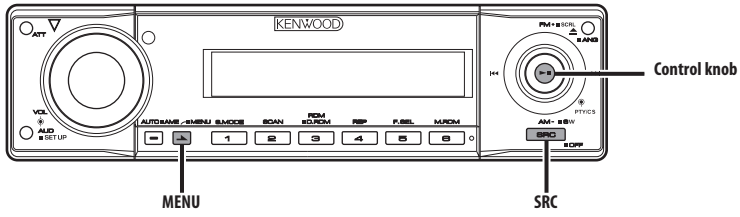
Push the Control knob to [◀◀] or [▶▶].

Text Scroll for SIRIUS tuner source

Scrolls the displayed channel name and other items.

Hold down on [FM] of the Control knob for at least 1 second.

HD Radio control features



www.DataSheet4U.com



- When you connect an HD Radio, Tuner features of the unit are disabled and switched to HD Radio tuner features. A portion of the setting methods including the Tuning Mode will change.
- With the HD Radio tuner, you can use the similar functions to <Station Preset Memory>, <Auto Memory Entry>, and <Preset Tuning> of Tuner features. Refer to Tuner features for how to use the functions.

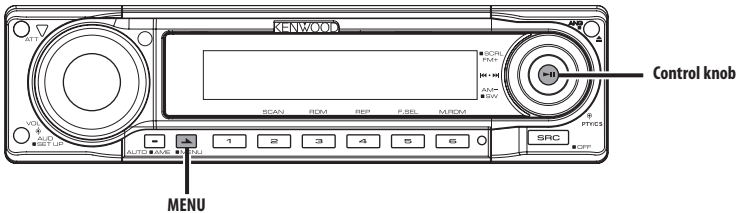
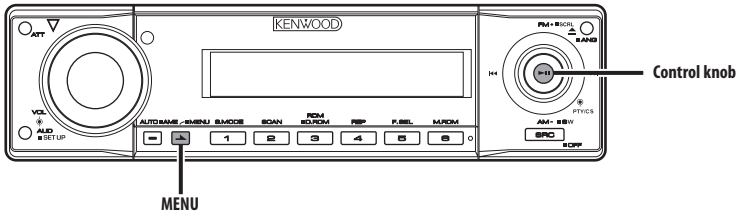
Tuning

Selecting the station.

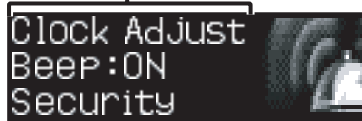
- 1 Select HD Radio source**
Press the [SRC] button.
 Select the "HD Radio" display.
- 2 Select the HD FM band**
Push the Control knob to [FM].
 Each time the knob is pushed to [FM], it switches between the HF1, HF2, and HF3 bands.

Select the HD AM band
Push the Control knob to [AM].
- 3 Tune up or down band**
Push the Control knob to [◀◀] or [▶▶].

Menu system



Menu display



Menu System

Setting during operation beep sound etc. functions.

The Menu system basic operation method is explained here. The reference for the Menu items and their setting content is after this operation explanation.

1 Enter Menu mode

Press the [MENU] button for at least 1 second.

"Menu" is displayed.

2 Select the menu item

Push the Control knob to [FM] or [AM].

Example: When you want to set the beep sound select the "Beep" display.

3 Set the menu item

Push the Control knob to [◀◀] or [▶▶].

Example: When "Beep" is selected, each time the knob is pushed it switches "Beep : ON" or "Beep : OFF". Select 1 of them as the setting.

You can continue by returning to step 2 and setting other items.

4 Exit Menu mode

Press the [MENU] button.



- When other items that are applicable to the basic operation method above are displayed, afterwards their setting content chart is entered. (Normally the uppermost setting in the chart is the original setting.) Also, the explanation for items that aren't applicable (<Manual Clock Adjustment> etc.) are entered step by step.
- It is the item when the menu item of Middle text display part is selected.

Menu system

In Standby mode

Security Code

Because authorization by the Security Code is required when it's removed from the vehicle, personalizing this unit is by using the Security Code is a help in preventing theft.



- The setup Security Code can be done when the <Demonstration mode Setting> (page 50) is set as OFF.
- When the Security Code function is activated, the code can't be changed and the function can't be released. Note, the Security Code can be set as the 4 digit number of your choice.

1 Enter Standby

Press the [SRC] button.

Select the "STANDBY" display.

2 Enter Menu mode

Press the [MENU] button for at least 1 second.

When "Menu" is displayed, "Security" is displayed.

3 Enter Security Code mode

Press the Control knob for at least 1 second.

When "Enter" is displayed, "Security" is displayed.

4 Select the digits to enter

Push the Control knob to [◀◀] or [▶▶].

5 Select the Security Code numbers

Push the Control knob to [FM] or [AM].

6 Repeat steps 4 and 5, and complete the Security Code.

7 Confirm the Security Code

Press the Control knob for at least 3 seconds.

When "Re-Enter" is displayed, "Security" is displayed.

8 Do the step 4 through 7 operation, and reenter the Security Code.

"Approved" is displayed.

The Security Code function activates.



- When the wrong Code is entered in steps 4 through 6, repeat from step 4.

Press the Reset button and when it's removed from the battery power source

1 Turn the power ON.

2 Do the step 4 through 7 operation, and enter the Security Code.

"Approved" is displayed.

The unit can be used.

In Standby mode

Touch Sensor Tone

Setting the operation check sound (beep sound) ON/OFF.

Display	Setting
"Beep : ON"	Beep is heard.
"Beep : OFF"	Beep canceled.

In Standby mode

Manual Clock Adjustment



- This adjustment can be done when the <Synchronize Clock> (page 43) is set as OFF.

1 Select Clock Adjustment mode

Push the Control knob to [FM] or [AM].

Select the "Clock Adjust" display.

2 Enter Clock Adjust mode

Press the Control knob for at least 1 second.

The clock display blinks.

3 Adjust the hours

Push the Control knob to [FM] or [AM].

Adjust the minutes

Push the Control knob to [◀◀] or [▶▶].

4 Exit Clock adjustment mode

Press the [MENU] button.

In Standby mode

Date Adjustment

1 Select Date Adjust mode

Push the knob to [FM] or [AM].

Select the "Date Adjust" display.

2 Enter Date Adjust mode

Press the Control knob for at least 1 second.
The date display blinks.

3 Selecting the item (day, month, or year) to adjust

Push the Control knob to [◀◀] or [▶▶].

The items that are blinking are items that can be adjusted.

4 Adjust each item

Push the Control knob to [FM] or [AM].

5 Repeat step 3 and 4 operation and adjust the date.

6 Exit Date adjustment mode

Press the [MENU] button.

In Standby mode

Date Mode

Setting the date format.

1 Select Date Mode

Push the Control knob to [FM] or [AM].
Select the "Date Mode" display.

2 Select the date format

Push the Control knob to [◀◀] or [▶▶].

3 Exit Menu mode

Press the [MENU] button.

*Function of the KDC-X889/KDC-MP828/KDC-X789
In Standby mode*

Synchronize Clock

Synchronizing the RDS station time data and this unit's clock.

Display	Setting
"SYNC : OFF"	Adjust the time manually.
"SYNC : ON"	Synchronizes the time.



- It takes 3 to 4 minutes to synchronize the clock.

In Standby mode

DSI (Disabled System Indicator)

A red indicator will blink on the unit after the faceplate is removed, warning potential thieves.

Display	Setting
"DSI : ON"	LED flashes.
"DSI : OFF"	LED OFF.

In Standby mode

Selectable Illumination

Selecting the button illumination color as green or red.

Display	Setting
"Button : Red"	The illumination color is red.
"Button : Green"	The illumination color is green.

In Standby mode

Dimmer

Dimming this unit's display automatically when the vehicle light switch is turned ON.

Display	Setting
"Dimmer : ON"	The display dims.
"Dimmer : OFF"	The display doesn't dim.

*Function of the KDC-MP728/KDC-MP628
In Standby mode*

Switching preout

Switching the preout between the rear and subwoofer. (In subwoofer it outputs without effect from the fader control.)

Display	Setting
"SWPRE : Rear"	Rear preout.
"SWPRE : Sub-W"	Subwoofer preout.

Menu system

In Standby mode

Built-in Amp Setting

Built-in amplifier is controlled.
Turning OFF this control enhances the preout quality.

Display	Setting
"AMP : ON"	The built-in amplifier activates.
"AMP : OFF"	The built-in amplifier deactivates.

Function of the KDC-X889/KDC-MP828/KDC-MP7028/KDC-MP728/KDC-X789
In Standby mode

G-Counter Level set

Calibrating G-Counter. Setting the level according to the kinds of vehicles.

Display	Setting
"G-Counter: Level1"	Counter is easy to go up.
"G-Counter: Level2"	:
"G-Counter: Level3"	Counter is hard to go up.



- In the case of less acceleration, set it up to "G-Counter: Level1". In the case of frequent acceleration, set it up to "G-Counter: Level3".

Function of the KDC-X889/KDC-MP828/KDC-MP7028/KDC-MP728/KDC-X789
In Standby mode

G-Analyzer Reset

Resets the value of G-Meter and G-Counter.

- 1 Select G-Analyzer Reset mode**
Push the Control knob to [FM] or [AM].
Select the "G-Reset" display.
- 2 Enter G-Analyzer Reset mode**
Press the Control knob for at least 1 second.
- 3 Select the Reset item**
Push the Control knob to [FM] or [AM].
"G-Meter Reset": Reset the value of G-Meter.
"G-Counter Reset": Reset the value of G-Counter.
- 4 Reset the value**
Press the Control knob for at least 2 seconds.
"Reset OK" is displayed.
- 5 Exit G-Analyzer Reset mode**
Press the [MENU] button.

44 | English


Function of the KDC-X889/KDC-MP828/KDC-MP7028/KDC-MP728/KDC-X789
In Standby mode

G-Analyzer Calibration setup


G-Analyzer requires calibration for horizontal acceleration and braking.



- Detection of horizontal and straight directions should be done at horizontal location to go straight.

- 1 Park the vehicle at horizontal location**
- 2 Select G-Analyzer Calibration set mode**
Push the Control knob to [FM] or [AM].
Select the "G-Calibration" display.
- 3 Enter G-Analyzer Calibration set mode**
Press the Control knob for at least 1 second.
"Stop" is displayed.
- 4 Start Calibration of horizontal direction**
Press the Control knob.
Once "Move Forward" appears on the display, the vehicle must be advanced.
- 5 Start Calibration of straight direction**
When the vehicle is driven on the straight direction, calibration of straight direction automatically starts.

 - In order to operate the detection of straight direction.

When the Calibration is finished, "Calibration OK" is displayed.


 - If you fail to complete the calibration, "No Calibration" is displayed. In such a case, repeats step 1 thru 6.
- 6 Exit G-Analyzer Calibration set mode**
Press the [MENU] button.

Function of the KDC-X889/KDC-MP828/KDC-MP7028/KDC-MP728/KDC-X789

G-Analyzer Stop Watch

The control of stop watch can be started by G-Analyzer function.



- Do not use G-Analyzer stop watch on the Public roads.

1 Select G-Analyzer Stop Watch mode

Push the Control knob to [FM] or [AM].

Select the "Stop Watch" display.

2 Enter G-Analyzer Stop Watch mode

Press the Control knob for at least 1 second.

"Stop" is displayed.

3 Enter Counter Ready mode

Press the Control knob.

"Ready" is displayed.

4 Start Count

When G on the vertical direction is detected during the traveling, the count is automatically started.

"Running" is displayed.



- You can also start the counter by pressing the Control knob.

5 Stop Count

Press the Control knob.

"Stop" is displayed.



- The control will be started again when you accelerate or press the Control knob.
Do the operation after step3.

When you Reset the Count (While "Stop" is displayed)

Press the Control knob for at least 2 seconds.



- The reset of count can be done when the count is stopped.

6 Exit G-Analyzer Stop Watch mode

Press the [MENU] button.



- When "Running" is displayed (counted), the count is continued on although G-Analyzer Stop Watch mode is finished. If you want to stop the count, enter the menu mode then press the control knob.
- When Power off (ex; ACC OFF) while counting, the value of 1 second or less will be "00".

Other than Standby mode/
When the Dual Zone System is ON

Dual Zone System Setting

Setting the Front channel and Rear channel sound in the Dual Zone System.

Display	Setting
"Zone 2 : Rear"	Sub source (Auxiliary input source) is to be rear channel.
"Zone 2 : Front"	Sub source (Auxiliary input source) is to be front channel.

Function of the KDC-X889/KDC-X789
Other than Standby mode

B.M.S. (Bass Management System)

Adjust the bass boost level of the external amplifier using the main unit.

Display	Setting
"AMP Bass : Flat"	Bass boost level is flat.
"AMP Bass : +6"	Bass boost level is low (+6dB).
"AMP Bass : +12"	Bass boost level is mid (+12dB).
"AMP Bass : +18"	Bass boost level is high (+18dB).



- Refer to the catalog or instruction manual for power amplifiers that can be controlled from this unit.
- For amplifiers there are the model that can be set from Flat to +18 dB, and the model that can be set from Flat to +12 dB.

When an amplifier that can only be set to +12 is connected to the unit, "AMP Bass : +18" won't work correctly even if it's selected.

Function of the KDC-X889/KDC-X789
Other than Standby mode

B.M.S. Frequency Offset

Setting the central frequency boosted by B.M.S.

Display	Setting
"AMP FREQ : Normal"	Boost with the normal central frequency.
"AMP FREQ : Low"	Drop the normal central frequency 20%.

Menu system

Function of the KDC-X889/KDC-X789
When LX AMP unit connecting

AMP Control

You can control the LX AMP connected to the unit.

1 Select AMP Control mode

Push the Control knob to [FM] or [AM].

Select the "AMS Control" display.

2 Enter AMP Control mode

Press the Control knob for at least 1 second.

3 Select the AMP Control item for adjustment

Push the Control knob to [FM] or [AM].



- For the details of the AMP Control item, see the Instruction manual attached to the LX AMP.

4 Adjust the AMP Control item

Push the Control knob to [◀◀] or [▶▶].

5 Exit AMP Control mode

Press the [MENU] button.



- You cannot use the LX AMP operation during standby mode.

Function of the KDC-X889/KDC-MP828/KDC-X789

Traffic Information

Switching to traffic information automatically when a traffic bulletin starts even when you aren't listening to the radio.

Display	Setting
"TI : OFF"	The Traffic Information function is OFF.
"TI : ON"	The Traffic Information function is ON.

When a traffic bulletin starts, "Traffic INFO" is displayed and it switches to traffic information.



- During reception of an AM station when the Traffic Information function is turned ON, it switches to an FM station.
- During reception of traffic information the adjusted volume is automatically remembered, and the next time it switches to traffic information it's automatically the remembered volume.

Receiving other traffic information stations (In tuner source)

Push the Control knob to [◀◀] or [▶▶].



- Traffic information station switching can be done when listening to the radio.

In FM reception

CRSC (Clean Reception System Circuit)

Temporarily have reception switched from stereo to mono to reduce multi-path noise when listening to the FM station.

Display	Setting
"CRSC : ON"	The CRSC is ON.
"CRSC : OFF"	The CRSC is OFF.



- Strong electrical fields (such as from power lines) may cause unstable sound quality when CRSC is turned ON. In such a situation, turn it OFF.

In HD Radio mode

Receive mode Setting

Sets the receive mode.

1 Select the Receive mode

Push the Control knob to [FM] or [AM].

Select the "Receive Mode" display.

2 Enter Receive mode

Press the Control knob for at least 1 second.

3 Set the Receive mode

Push the Control knob to [FM] or [AM].

Each time the knob is pushed, the Receive mode switches as shown below.

Receive mode	Display	Operation
Auto mode	"Auto"	Analog broadcasts and digital broadcasts will be switched automatically. When both are being transmitted, the digital broadcast will have priority.
Digital	"Digital"	Digital broadcasts only.
Analog	"Analog"	Analog broadcasts only.

4 Exit Receive mode

Press the [MENU] button.



- Even if the "Auto" setting, and analog broadcast will be received during the reception of a ball game mode (non-delayed broadcast program).

In SIRIUS tuner source

SIRIUS ID (ESN) display

Displaying the SIRIUS ID (Electronic Serial Number)

Display

"ESN"*****



- Serial & SIRIUS ID (ESN)
It is especially important to retain the unit serial number and the electronic SIRIUS Identification number for service activation and potential future service changes.

Auxiliary Input Display Setting & Station/Disc Naming

For selecting the display when switched to Auxiliary input source. For the Station/Disc Naming refer to the <Station/Disc Naming (SNPS/DNPS)> (page 18).

1 Select Auxiliary input source

Press the [SRC] button.

Select the "AUX"/"AUX EXT" display.

2 Enter Menu mode

Press the [MENU] button for at least 1 second.

"Menu" is displayed.

3 Select Auxiliary input display setting mode

Push the Control knob to [FM] or [AM].

Select the "Name Set" display.

4 Enter Auxiliary input display setting mode

Press the Control knob for at least 1 second.

The presently selected Auxiliary input display is displayed.

5 Select the Auxiliary input display

Push the Control knob to [◀◀] or [▶▶].

Each time the button is pressed, the display switches as shown below.

- "AUX"/"AUX EXT"
- "DVD"
- "PORTABLE"
- "GAME"
- "VIDEO"
- "TV"

6 Exit Menu mode

Press the [MENU] button.



- When operation stops for 10 seconds, the name at that time is registered, and the Auxiliary input display setting mode closes.
- The Auxiliary Input Display can be set only when the built-in auxiliary input or the auxiliary input of optional KCA-S210A is used.

Text Scroll

Setting the displayed text scroll.

Display	Setting
"Scroll : Auto"	Repeats scroll.
"Scroll : Manual"	Scrolls when the display changes.



- The text scrolled is shown below.
 - CD text
 - Folder name/ File name/ Song title/ Artist name/ Album name
 - MD title
 - Radio text
 - Text for the SIRIUS tuner source, HD Radio source, including Channel name, etc.

Menu system

In Standby mode

Built-in Auxiliary input Setting

Set the Built-in Auxiliary Input function.

Display	Setting
"Built in AUX : OFF"	When selecting the source there's no Auxiliary Input.
"Built in AUX : ON"	When selecting the source there's Auxiliary Input.

In Standby mode

CD Read Setting

When there is a problem on playing a CD with special format, this setting play the CD by force.

Display	Setting
"CD Read : 1"	Play CD and Audio file.
"CD Read : 2"	Play CD by force.



- Setting "CD Read : 2" cannot play Audio file. Some music CDs may not be played back even in the "CD Read : 2" mode.

Function of the KDC-X889/KDC-MP828/KDC-X789
In Standby mode

Picture downloading

Downloading movies and wallpapers.

Downloaded pictures can be used for the display of this unit.

1 Inset a CD-R/CD-RW.

Insert a CD-R/CD-RW containing files to be downloaded into this unit.

Refer to <Playing CD & Audio file> (page 32) for details.

Our URL <http://www.kenwood.net-disp.com> describes how to make CD-R/CD-RW.

2 Enter Standby

Press the [SRC] button.

Select the "STANDBY" display.

3 Enter Menu mode

Press the [MENU] button for at least 1 second.

"Menu" is displayed.

4 Select the downloading mode

Push the Control knob to [FM] or [AM].

Select the "DISP Data DL" display.

5 Enter the downloading mode

Press the Control knob for at least 1 second.

"File Check!!" is displayed.

6 Select files to be downloaded

Push the Control knob to [◀◀] or [▶▶].

7 Start downloading

Press the Control knob for at least 2 seconds.

"Downloading" is displayed.

When the downloading finishes, "Finished Download" is displayed.



- Picture download may take as long as 10 minutes.

Gradation Level

Quantity



Canceling Downloading

Press the [MENU] button.

8 Exit the downloading mode

Press the [MENU] button.



- Do not operate this unit, while "Downloading" is displayed, to prevent data from being damaged.
- The number of files that can be downloaded.
 - Downloaded movie: 1 file
 - Wallpaper: 1 file
- When a new movie is downloaded, it is overwritten to the currently downloaded movie. Also, when a new wallpaper is downloaded, it is overwritten to the currently downloaded wallpaper. There is no way to delete the downloaded pictures.
- The downloaded pictures can be used for display. <Graphic part/ Spectrum Analyzer Display Switching> (page 20)
<Wallpaper selecting> (page 21)
- When you can't download the pictures to this unit, there may be a problem with the CD-R/CD-RW write method. Refer to the URL <http://www.kenwood.net-disp.com>, and rewrite the CD-R/CD-RW.

Function of the KDC-X889/KDC-MP828/KDC-X789
Function of ACDrive disc

Voice Index

Setting the announcement during the play of AC Drive disc.

Display	Setting
"Voice Index : ON"	Guide is announced.
"Voice Index : OFF"	Not be announced.

Function of the KDC-X889/KDC-MP828/KDC-X789
In CD mode

ACDrive firmware version display

Displaying the firmware version with the ACDrive function.

1 Select the firmware version display mode

Push the Control knob to [FM] or [AM].

Select the "ACD F/W Version" display.

2 Display the ACDrive firmware version

Push the Control knob to [◀◀] or [▶▶].

Function of the KDC-X889/KDC-MP828/KDC-X789
In CD mode

Unique ID display

Displaying the serial number for each product.

1 Select the unique ID display mode

Push the Control knob to [FM] or [AM].

Select the "ACD Unique ID" display.

2 Display the unique ID

Push the Control knob to [◀◀] or [▶▶].

Function of the KDC-MP7028/KDC-MP728/KDC-X789/KDC-MP628

Other than Standby mode

Audio Preset Memory

Registering the value setup by Sound Control. The memory can't be erased by the Reset button.

1 Setup Sound Control

Refer to the following operations to setup the Sound Control.

- <Audio Control> (page 10)
- <Audio Setup> (page 12)
- <Equalizer Control> (page 16)

2 Enter Menu mode

Press the [MENU] button for at least 1 second.

"Menu" is displayed.

3 Select Audio Preset mode

Push the Control knob to [FM] or [AM].

Select the "Audio Preset" display.

4 Enter Audio Preset mode

Press the Control knob for at least 1 second.

5 Select the Audio Preset Memory

Push the Control knob to [FM] or [AM].

Select the "Memory" display.

6 Put the Audio Preset in the memory

Press the Control knob for at least 2 seconds.

The "Memory" display blinks 1 time.

7 Exit Menu mode

Press the [MENU] button.



- Register 1 pair of Audio Preset Memory. You can't register by the source.
- When you press the Reset, all the sources will be the setting value which is registered.
- The following items can't be registered. Volume, Balance, Fader, Loudness, Volume offset, Dual Zone System, Rear Volume

Menu system

Function of the KDC-MP7028/KDC-MP728/KDC-X789/KDC-MP628
Other than Standby mode

Audio Preset Call

Recalling the sound setup registered by <Audio Preset Memory> (page 49).

- 1 Select the source**
Press the [SRC] button.
- 2 Enter Menu mode**
Press the [MENU] button for at least 1 second.
"Menu" is displayed.
- 3 Select Audio Preset mode**
Push the Control knob to [FM] or [AM].
Select the "Audio Preset" display.
- 4 Enter Audio Preset mode**
Press the Control knob for at least 1 second.
- 5 Select the Audio Preset Call**
Push the Control knob to [FM] or [AM].
Select the "Call" display.
- 6 Call up the Audio Preset**
Press the Control knob for at least 2 seconds.
The "Call" display blinks 1 time.
- 7 Exit Menu mode**
Press the [MENU] button.



- The User memory of <Equalizer Control> (page 16) is changed to the value which was recalled.
- The source tone memory item of <Audio Control> (page 10) is changed to the value which was recalled by the selected source.

In Standby mode

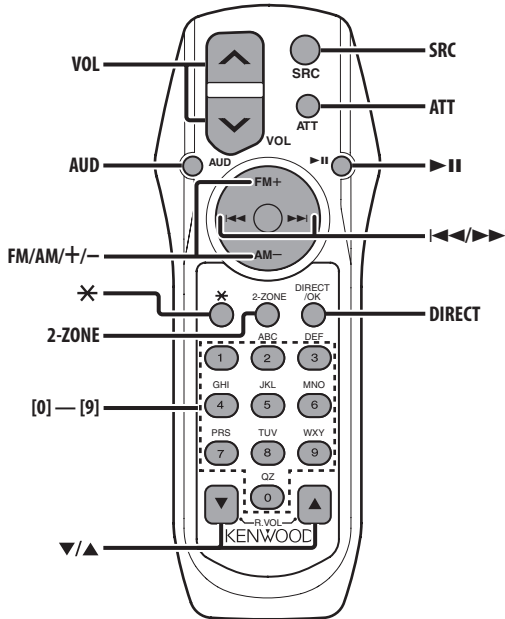
Demonstration mode Setting

Sets the demonstration mode.

- 1 Select the Demonstration mode**
Push the Control knob to [FM] or [AM].
Select the "DEMO Mode" display.
- 2 Set the Demonstration mode**
Press the Control knob for at least 2 seconds.
Each time the knob is pressed at least 2 seconds, the Demonstration mode switches as shown below.

Display	Setting
"DEMO Mode : ON"	The Demonstration mode function is ON.
"DEMO Mode : OFF"	Exit Demonstration mode (Normal mode).

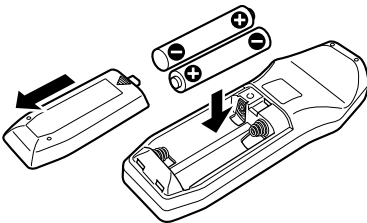
Basic Operations of remote



www.DataSheet4U.com

Loading and Replacing the battery

Use two "AA"-size batteries.
Slide the cover while pressing downwards to remove it as illustrated.
Insert the batteries with the + and - poles aligned properly, following the illustration inside the case.



⚠ WARNING

- Store unused batteries out of the reach of children.
Contact a doctor immediately if the battery is accidentally swallowed.



- Do not set the remote on hot places such as above the dashboard.

Basic operations

[VOL] buttons

Adjusting the volume.

[SRC] button

Each time the button is pressed, the source switches.

For the source switching order refer to <Selecting the Source> (page 10).

[ATT] button

Turning the volume down quickly.

When it is pressed again, it returns to the previous level.

[*] button

Adjusting the Faceplate Angle.

Basic Operations of remote

Audio Control

[AUD] button

Select the Audio item for adjustment.

[VOL] buttons

Adjust the Audio item.



- Refer to <Audio Control> (page 10/12) for the operation method, such as the procedures of Audio control and others.
- Only selecting and adjusting of the Basic Audio item can be done by the remote control. Selecting and adjusting of the Detail Audio item cannot be done.

Dual Zone System

[2-ZONE] button

Each time the button is pressed, "2 ZONE" of <Audio Setup> (page 12/13) is turned ON and OFF.

[▲]/ [▼] buttons

Adjusts the volume of the rear channel.
It activates while the Dual Zone System is ON.

In Tuner source

[FM]/ [AM] buttons

Select the band.

Each time the [FM] button is pressed, it switches between the FM1, FM2, and FM3 bands.

[◀◀]/ [▶▶] buttons

Tune up or down band.

[0] — [9] buttons

Press buttons [1] — [6] to recall preset stations.

[DIRECT] button

Enters and cancels the <Direct Access Tuning> (page 28) mode.

[▶ II] button

Enters and cancels the <PTY (Program Type)> (page 30) mode.

In Disc source

[◀◀]/ [▶▶] buttons

Doing track/file forward and backward.

[+]/ [-] buttons

Doing disc/folder forward and backward.

[▶ II] button

Each time the button is pressed, the song pauses and plays.

[0] — [9] buttons

When in <Direct Track/File Search> (page 33) and <Direct Disc Search> (page 33), enter the track/file/disc number.

In SIRIUS tuner source

[FM] button

Select the preset band.

[◀◀]/ [▶▶] buttons

Search up or down channel.

[0] — [9] buttons

Press buttons [1] — [6] to recall preset channels.

[DIRECT] button

Enters and cancels the <Direct Access Tuning> (page 38) mode.

In HD Radio source

[FM] button

Select the HD FM band.

Each time the [FM] button is pressed, it switches between the HF1, HF2, and HF3 bands.

[AM] button

Select the HD AM band.

[◀◀]/ [▶▶] buttons

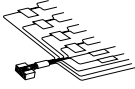


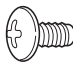
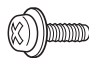
Tune up or down band.

[0] — [9] buttons

Press buttons [1] — [6] to recall preset stations.

Accessories/ Installation Procedure

Accessories

①	1
②	2
③	4
④	4
⑤	1

Installation Procedure

1. To prevent a short circuit, remove the key from the ignition and disconnect the \ominus battery.
2. Make the proper input and output wire connections for each unit.
3. Connect the speaker wires of the wiring harness.
4. Connect the wiring harness wires in the following order: ground, battery, ignition.
5. Connect the wiring harness connector to the unit.
6. Install the unit in your car.
7. Reconnect the \ominus battery.
8. Press the reset button.

▲WARNING

If you connect the ignition wire (red) and the battery wire (yellow) to the car chassis (ground), you may cause a short circuit, that in turn may start a fire. Always connect those wires to the power source running through the fuse box.



- If the power is not turned ON (or it is ON, but will be OFF immediately), the speaker wire may have a short-circuit or touched the chassis of the vehicle and the protection function may have been activated. Therefore, the speaker wire should be checked.
- If your car's ignition does not have an ACC position, connect the ignition wires to a power source that can be turned on and off with the ignition key. If you connect the ignition wire to a power source with a constant voltage supply, as with battery wires, the battery may die.
- If the console has a lid, make sure to install the unit so that the faceplate will not hit the lid when closing and opening.
- If the fuse blows, first make sure the wires aren't touching to cause a short circuit, then replace the old fuse with one with the same rating.
- Insulate unconnected wires with vinyl tape or other similar material. To prevent a short circuit, do not remove the caps on the ends of the unconnected wires or the terminals.
- Connect the speaker wires correctly to the terminals to which they correspond. The unit may be damaged or fail to work if you share the \ominus wires or ground them to any metal part in the car.
- When only two speakers are being connected to the system, connect the connectors either to both the front output terminals or to both the rear output terminals (do not mix front and rear). For example, if you connect the \oplus connector of the left speaker to a front output terminal, do not connect the \ominus connector to a rear output terminal.
- After the unit is installed, check whether the brake lamps, blinkers, wipers, etc. on the car are working properly.
- Mount the unit so that the mounting angle is 30° or less.

Connecting Wires to Terminals

	A	B
KDC-X889/ X789/MP828/ MP7028	Subwoofer right output (Red)	Rear right output (Red)
	Subwoofer left output (White)	Rear left output (White)
KDC-MP728/ MP628	Rear right output (Red)/ Subwoofer right output (Red)	—
	Rear left output (White)/ Subwoofer left output (White)	—

To KENWOOD disc changer/
External optional accessory



To connect these leads, refer to the relevant instruction manuals.

Fuse (10A)

If no connections are made, do not let the wire come out from the tab.

When using the optional power amplifier, connect to its power control terminal.

Depending on what antenna you are using, connect either to the control terminal of the motor antenna, or to the power terminal for the booster amplifier of the film-type antenna.

Connect to the terminal that is grounded when either the telephone rings or during conversation.

To "EXT.AMP.CONT." terminal of the amplifier having the external amp control function.

To car light control switch

To front left speaker
⊖ White/Black
⊕ White

To front right speaker
⊖ Gray/Black
⊕ Gray

To rear left speaker
⊖ Green/Black
⊕ Green

To rear right speaker
⊖ Purple/Black
⊕ Purple

White/Black

White

Gray/Black

Gray

Green/Black

Green

Purple/Black

Purple

FRONT • L

FRONT • R

REAR • L

REAR • R

Ignition key switch

ACC

Car fuse box (Main fuse)

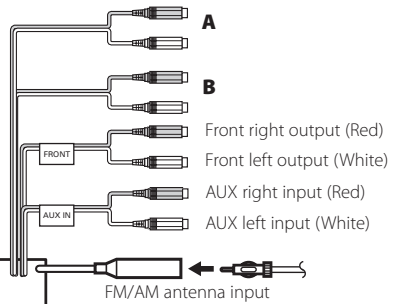
Car fuse box

Ignition wire (Red)

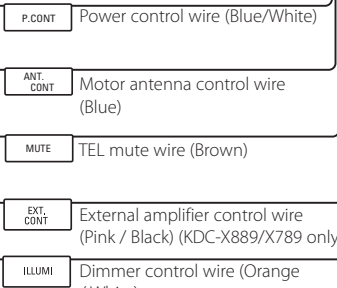
Battery wire (Yellow)

Battery

Ground wire (Black) ⊖ (To car chassis)

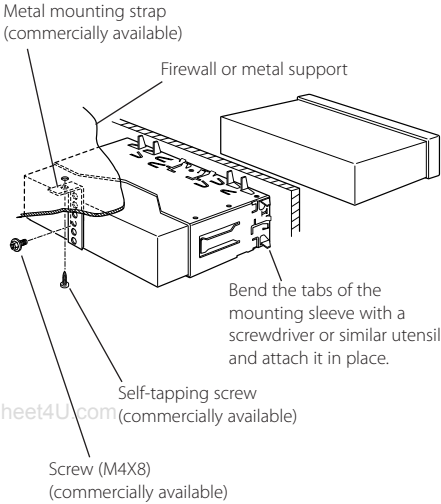


Wiring harness (AccessoryⓄ)



Installation

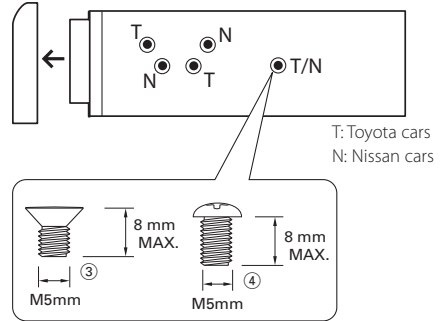
non-Japanese cars



- Make sure that the unit is installed securely in place. If the unit is unstable, it may malfunction (for example, the sound may skip).

Japanese cars

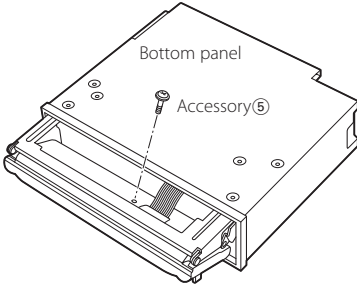
- 1 Refer to the section <Removing the hard rubber frame> (page 58) and then remove the hard rubber frame.
- 2 Align the holes in the unit (two locations on each side) with the vehicle mounting bracket and secure the unit with the accessory screws.



- During installation, do not use any screws except for those provided. The use of different screws might result in damage to the main unit.
- Damage may occur if a screwdriver or similar tool is used with excessive force during the installations.

Screwing the Faceplate on the Unit

If you want to fasten the faceplate to the main unit so that it does not fall off, screw in the provided screws in the holes shown below.

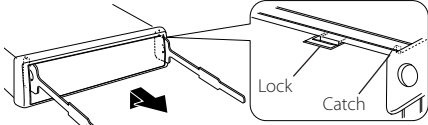


Never insert the screw in any other screw hole than the one specified. If you screw them in another hole, it will contact and may cause damage to the mechanical parts inside the unit.

Removing the Unit

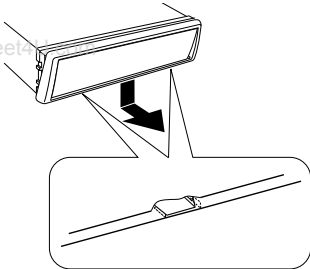
Removing the hard rubber frame

- 1 Engage the catch pins on the removal tool and remove the two locks on the upper level. Upper the frame and pull it forward as shown in the figure.



Accessory②
Removal tool

- 2 When the upper level is removed, remove the lower two locations.

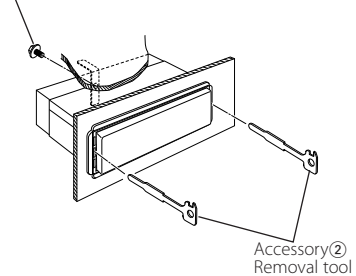


- The frame can be removed from the bottom side in the same manner.

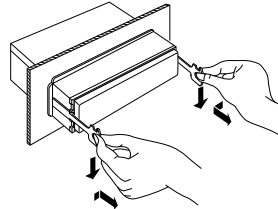
Removing the Unit

- 1 Refer to the section <Removing the hard rubber frame> (page 58) and then remove the hard rubber frame.
- 2 Remove the screw (M4 × 8) on the back panel.
- 3 Insert the two removal tools deeply into the slots on each side, as shown.

Screw (M4X8)
(commercially available)

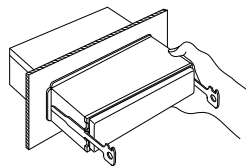


- 4 Lower the removal tool toward the bottom, and pull out the unit halfway while pressing towards the inside.



- Be careful to avoid injury from the catch pins on the removal tool.

- 5 Pull the unit all the way out with your hands, being careful not to drop it.



Troubleshooting Guide

What might seem to be a malfunction in your unit may just be the result of slight misoperation or miswiring. Before calling service, first check the following table for possible problems.

General

? The power does not turn ON.

- ✓ The fuse has blown.
 - ⓘ After checking for short circuits in the wires, replace the fuse with one with the same rating.
- ✓ The speaker wire has a short-circuit or touches the chassis of the vehicle, and then the protection function is activated.
 - ⓘ Wire or insulate the speaker cable properly and press the reset button.

? There's a source you can't switch.

- ✓ There's no media inserted.
 - ⓘ Set the media you want to listen to. If there's no media in this unit, you can't switch to each source.
- ✓ The Disc changer isn't connected.
 - ⓘ Connect the Disc changer. If the Disc changer isn't connected to it's input terminal, You can't switch to an external disc source.

? The memory is erased when the ignition is turned OFF.

- ✓ The ignition and battery wire are incorrectly connected.
 - ⓘ Connect the wire correctly, referring to the section on <Connecting Wires to Terminals>.

? The TEL mute function does not work.

- ✓ The TEL mute wire is not connected properly.
 - ⓘ Connect the wire correctly, referring to the section on <Connecting Wires to Terminals>.

? The TEL mute function turns ON even though the TEL mute wire is not connected.

- ✓ The TEL mute wire is touching a metal part of the car.
 - ⓘ Pull the TEL mute wire away from the metal part of the car.

? Even if Loudness is turned ON, high-pitched tone isn't compensated.

- ✓ Tuner source is selected.
 - ⓘ High-pitched tone isn't compensated for when in Tuner source.

? No sound can be heard, or the volume is low.

- ✓ The fader or balance settings are set all the way to one side.
 - ⓘ Center the fader and balance settings.
- ✓ The input/output wires or wiring harness are connected incorrectly.
 - ⓘ Reconnect the input/output wires or the wiring harness correctly. See the section on <Connecting Wires to Terminals>.
- ✓ The values of Volume offset are low.
 - ⓘ Turn up the Volume offset, referring to the section on <Audio Setup> (page 12/13).
- ✓ The <Built-in Amp Setting> (page 44) is OFF.
 - ⓘ Turn it ON.

? The sound quality is poor or distorted.

- ✓ One of the speaker wires is being pinched by a screw in the car.
 - ⓘ Check the speaker wiring.
- ✓ The speakers are not wired correctly.
 - ⓘ Reconnect the speaker wires so that each output terminal is connected to a different speaker.

? The Touch Sensor Tone doesn't sound.

- ✓ The preout jack is being used.
 - ⓘ The Touch Sensor Tone can't be output from the preout jack.

? Even though Synchronize Clock is ON, the clock can't be adjusted.

- ✓ The received RDS station isn't sending time data.
 - ⓘ Receive another RDS station.

? The Dimmer function doesn't work.

- ✓ The Dimmer wire isn't connected correctly.
 - ⓘ Check the Dimmer wire connection.
- ✓ The <Dimmer> (page 43) is OFF.
 - ⓘ Turn it ON.

? The sound is not output from Subwoofer or it outputs the different sound.

- ✓ When "2 ZONE" of <Audio Setup> (page 12/13) is set to ON.
 - ⓘ Turn OFF "2 ZONE".

? There are no audio control effects.

- ✓ FOCUS/ SRS 3D item on <WOW Control> (page 17) have no effect in rear output.
 - ⓘ ---

Tuner source

? Radio reception is poor.

- ✓ The car antenna is not extended.
 - ☞ Pull the antenna out all the way.
- ✓ The antenna control wire is not connected.
 - ☞ Connect the wire correctly, referring to the section on <Connecting Wires to Terminals>.

? The desired frequency can't be entered with the Direct Access Tuning.

- ✓ A station that can't be received is being entered.
 - ☞ Enter a station that can be received.
- ✓ You're trying to enter a frequency with a 0.01 MHz unit.
 - ☞ What can be designated in the FM band is to 0.1 MHz.

? It isn't the set Traffic information sound volume.

- ✓ The set sound volume is less than the tuner sound volume.
 - ☞ If the tuner sound volume is louder than the set sound volume, the tuner sound volume is used.

Disc source

? "AUX EXT" is displayed without achieving External disc control mode.

- ✓ Unsupported disc changer is connected.
 - ☞ Use the disc changer mentioned in the <About CD players/disc changers connected to this unit> (page 4) of the section on <Safety precautions>.

? The specified disc does not play, but another one plays instead.

- ✓ The specified CD is quite dirty.
 - ☞ Clean the CD.
- ✓ The disc is loaded in a different slot from that specified.
 - ☞ Eject the disc magazine and check the number for the specified disc.
- ✓ The disc is severely scratched.
 - ☞ Try another disc instead.

? Can't remove disc.

- ✓ The cause is that more than 10 minutes has elapsed since the vehicle ACC switch was turned OFF.
 - ☞ The disc can only be removed within 10 minutes of the ACC switch being turned OFF. If more than 10 minutes has elapsed, turn the ACC switch ON again and press the Eject button.

? The disc won't insert.

- ✓ There's already another disc inserted.
 - ☞ Press the [▲] button and remove the disc.

? Direct Search can't be done.

- ✓ Another function is ON.
 - ☞ Turn Random Play or other functions OFF.

? Track Search can't be done.

- ✓ For the discs/folders first or last song.
 - ☞ For each disc/folder, Track Search can't be done in the backward direction for the first song or in the forward direction for the last song.

Audio file source

? Cannot play an Audio file.

- ✓ The media is scratched or dirty.
 - ⓘ Clean the media, referring to the CD cleaning of the section on <About CDs> (page 7).

? The sound skips when an Audio file is being played.

- ✓ The media is scratched or dirty.
 - ⓘ Clean the media, referring to the CD cleaning of the section on <About CDs> (page 7).
- ✓ The recording condition is bad.
 - ⓘ Record the media again or use another media.

? The Audio file track time isn't displayed correctly.

- ✓ ---
 - ⓘ There are times when it isn't displayed correctly according to the Audio file recording conditions.

HD Radio source

? No sound can be heard, or the volume is low.

- ✓ The preset broadcast station is not transmitting in the mode that was set with <Receive mode Setting> (page 46).
 - ⓘ Please set <Receive mode Setting> to "Auto".
- ✓ In digital AM broadcasting, receive mode switches between stereo and monaural too often.
 - ⓘ Receiving condition is bad or unstable. Stereo is chosen when receiving condition is good, and it switches to monaural when the condition becomes bad.
- ✓ HD Radio tuner is connected to KCA-S210A or other units.
 - ⓘ Connect the HD Radio tuner directly to the control unit.

The messages shown below display your systems condition.

Eject:	No disc magazine has been loaded in the changer. The disc magazine is not completely loaded. <ul style="list-style-type: none">⇨ Load the disc magazine properly.No CD in the unit.⇨ Insert the CD.
No Disc:	No disc has been loaded in the disc magazine. <ul style="list-style-type: none">⇨ Load a disc into the disc magazine.
TOC Error:	No disc has been loaded in the disc magazine. <ul style="list-style-type: none">⇨ Load a disc into the disc magazine. The CD is quite dirty. The CD is upside-down. The CD is scratched a lot.⇨ Clean the CD and load it correctly.
Error 05:	The CD is upside-down. <ul style="list-style-type: none">⇨ Load the CD correctly.
Blank Disc:	Nothing has been recorded on the MD.
No Track:	No tracks are recorded on the MD, although it has a title.
Error 15:	Media was played that doesn't have data recorded that the unit can play. <ul style="list-style-type: none">⇨ Use media that has data recorded that the unit can play.
No Panel:	The faceplate of the slave unit being connected to this unit has been removed. <ul style="list-style-type: none">⇨ Replace it.
Error 77:	The unit is malfunctioning for some reason. <ul style="list-style-type: none">⇨ Press the reset button on the unit. If the "Error 77" code does not disappear, consult your nearest service center.
Mecha Error:	Something is wrong with the disc magazine. Or the unit is malfunctioning for some reason. <ul style="list-style-type: none">⇨ Check the disc magazine. And then press the reset button on the unit. If the "Mecha Error" code does not disappear, consult your nearest service center.

Troubleshooting Guide

Hold Error:	The protective circuit in the unit activates when the temperature inside the automatic disc changer exceeds 60°C (140°F), stopping all operation. ↔ Cool down the unit by opening the windows or turning on the air conditioner. As the temperature falls below 60°C (140°F), the disc will start playing again.	Can't Download:	
No Name:	Attempted to display DNPS during the CD play having no disc names preset.	Download Error:	This unit does not work properly for some reason. ↔ Press the reset button to download it again. If this error is still displayed, consult a local Kenwood dealer.
Waiting:	Radio text data is being received. Text for the Sirius tuner source is being received.	No Display File:	No file that can be downloaded is contained in the CD-ROM. ↔ Make sure that a files created with referring to <http://www.kenwood.net-disp.com> is contained in the CD-ROM. Do not delete the extension (.kbn) created when the file was created.
Load:	Discs are being exchanged in the Disc changer.	Incorrect File:	The file selected to be downloaded has a format that this unit cannot read. ↔ Recreate the file.
Reading:	The unit is reading the data on the disc.	Writing Error:	Writing failed while the file was downloaded. ↔ Try the downloading again.
IN (Blink):	The CD player section is not operating properly. ↔ Reinsert the CD. If the CD cannot be ejected or the display continues to flash even when the CD has been properly reinserted, please switch off the power and consult your nearest service center.	DEMO MODE:	The Demonstration mode has been selected. ↔ The <Demonstration mode Setting> (page 50) is ON. Turn it OFF.
Unsupported File:	An Audio file is played with a format that this unit can't support. ↔ ----		
Copy Protection:	A copy-protected file is played. ↔ ----		

Specifications

Specifications subject to change without notice.

FM tuner section

- Frequency range (200 kHz space)
 - : 87.9 MHz – 107.9 MHz
- Usable sensitivity (S/N = 30dB)
 - : 9.3dBf (0.8 μ V/75 Ω)
- Quieting Sensitivity (S/N = 50dB)
 - : 15.2dBf (1.6 μ V/75 Ω)
- Frequency response (\pm 3.0 dB)
 - : 30 Hz – 15 kHz
- Signal to Noise ratio (MONO)
 - : 70 dB
- Selectivity (\pm 400 kHz)
 - : \geq 80 dB
- Stereo separation (1kHz)
 - : 40 dB

AM tuner section

- Frequency range (10 kHz space)
 - : 530 kHz – 1700 kHz
- Usable sensitivity (S/N = 20dB)
 - : 28dB μ (25 μ V)

CD player section

- Laser diode
 - : GaAlAs
- Digital filter (D/A)
 - : 8 Times Over Sampling
- D/A Converter
 - : 1 Bit
- Spindle speed (Audio file)
 - : 1000 – 400 rpm (CLV 2times)
- Wow & Flutter
 - : Below Measurable Limit
- Frequency response (\pm 1 dB)
 - : 10 Hz – 20 kHz
- Total harmonic distortion (1 kHz)
 - : 0.01 % (KDC-MP828/MP7028/MP728/MP628)
 - : 0.008 % (KDC-X889/X789)
- Signal to Noise ratio (1 kHz)
 - : 105 dB (KDC-MP7028/MP728/MP628)
 - : 110 dB (KDC-X889/MP828/X789)
- Dynamic range
 - : 93 dB
- Channel separation
 - : 96 dB
- MP3 decode
 - : Compliant with MPEG-1/2 Audio Layer-3
- WMA decode
 - : Compliant with Windows Media Audio
- AAC decode
 - : AAC-LC ".m4a" files

Audio section

- Maximum output power
 - : 50 W x 4
- Full Bandwidth Power (at less than 1% THD)
 - : 22 W x 4
- Tone action
 - (KDC-MP7028/MP728/X789/MP628)
 - Bass : 100 Hz \pm 10 dB
 - Middle : 1 kHz \pm 10 dB
 - Treble : 10 kHz \pm 10 dB
 - (KDC-X889/MP828)
 - Band 1 : 60 – 200 Hz \pm 9 dB
 - Band 2 : 250 Hz – 1 kHz \pm 9 dB
 - Band 3 : 1.25 kHz – 4 kHz \pm 9 dB
 - Band 4 : 5 kHz – 16 kHz \pm 9 dB
- Preout level / Load (during disc play)
 - : 2500 mV/10 k Ω (KDC-MP728/MP628)
 - : 4000 mV/10 k Ω (KDC-MP7028)
 - : 5000 mV/10 k Ω (KDC-X889/X789/MP828)
- Preout impedance (during disc play)
 - : \leq 600 Ω (KDC-MP728/MP628)
 - : \leq 80 Ω (KDC-X889/MP7028/X789/MP828)

Auxiliary input

- Frequency response (\pm 1 dB)
 - : 20 Hz – 20 kHz
- Input Maximum Voltage
 - : 1200 mV
- Input Impedance
 - : 100 k Ω

General

- Operating voltage (11 – 16V allowable)
 - : 14.4 V
- Current consumption
 - : 10 A
- Installation Size (W x H x D)
 - : 7-3/16 x 2-1/16 x 6-1/10 inch
 - 182 x 53 x 155 mm
- Weight
 - : 3.31 lbs (1.5 kg)

www.DataSheet4U.com

KENWOOD

www.DataSheet4U.com