



DESCRIPTION

PT2319 is an audio processor IC specially designed for high fidelity audio applications utilizing advanced CMOS processing technology. Included in the IC are 5 stereo input signal ports, super bass and bass/treble controls, volume control, balance/fader controls and muting.

The internal circuits of PT2319 have undergone meticulous adjustment to achieve the finest possible audio quality. Extremely low signal distortion, strong signal driving ability, and clear dynamic peak and level sound quality at any volume level distinguish PT2319 from other audio processors. PT2319 is the ideal solution for audio systems catering to the most demanding audiophiles.

FEATURES

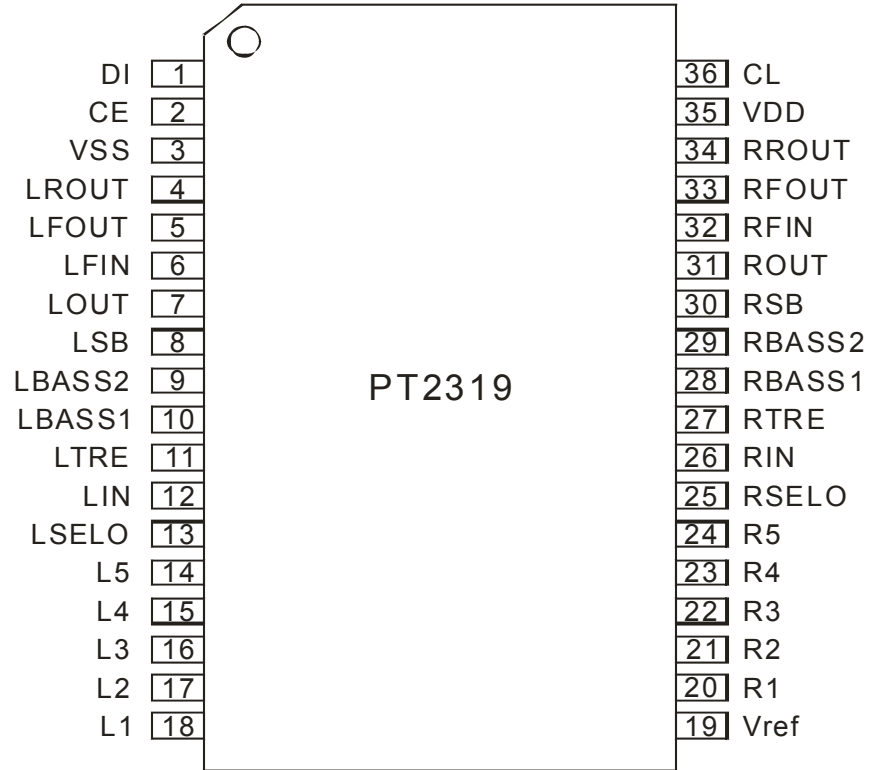
- CMOS process technology
- Low level output signal loss: Typ.=0.003% at $V_{OUT}=1V_{rms}$
- High level output driving ability: load impedance as low as 600Ω
- Large output amplitude
- Five stereo input signal ports
- Volume, balance and fader controls
- Super bass, bass and treble controls
- Select Out supports addition of externals circuits
- Built-in automatic power-on reset
- 3-wire digital control interface
- 36-pin SSOP packaging

APPLICATIONS

- High fidelity audio systems
- Car audio systems



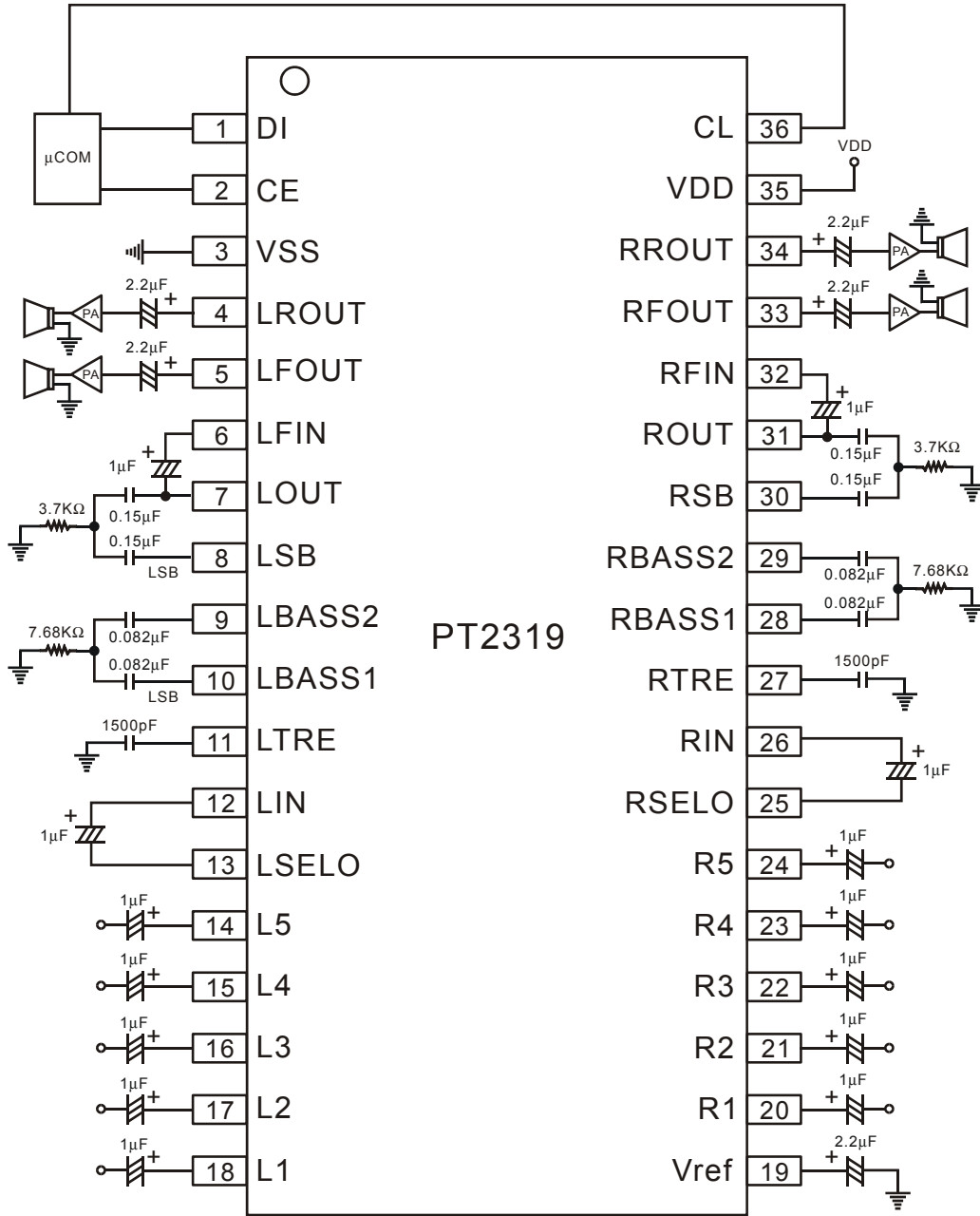
PIN CONFIGURATION



www.DataSheet4U.com



APPLICATION CIRCUIT



www.DataSheet4U.com



ORDER INFORMATION

Part Number	Package Type	Top Code
PT2319	36 Pins, SSOP, 300mil	PT2319
PT2319 (L)	36 Pins, SSOP, 300mil	PT2319

Notes:

1. (L), (C) or (S) = Lead Free.
2. The Lead Free mark is put in front of the date code.

www.DataSheet4U.com