

CV/CH Series

SMPS High Isolation (2500V min) Current Transformers

Features

- Designed for switching power supply application.
- Wide range of housings.
- Cases made of UL94-V0 material.
- Insulation 2.5 KVac.
- Typical Frequency range 10 KHz ~ 200 KHz.
- Storage temperature from - 20° C to 100° C.
- Operating temperature from - 20° to 85° C.

Product List

Part Number	Prim/Sec Ratio	I _{pn} (A _{RMS})	Sec Ls (mH Min)	Sec Rcu (Ω Max)	V × τ (VμS Max)
CV1 - 050	1/50	15	7.5	0.30	175
CV1 - 100	1/100	15	30	0.70	350
CV1 - 200	1/200	15	120	4	700
CV2 - 050	1/50	25	8	0.30	300
CV2 - 100	1/100	25	35	0.80	600
CV2 - 200	1/200	25	140	3.80	1200
CV3 - 050	1/50	40	8	0.20	500
CV3 - 100	1/100	40	33	0.50	1000
CV3 - 200	1/200	40	135	3	2000
CV4 - 050	1/50	55	12	0.20	700
CV4 - 100	1/100	55	45	0.60	1400
CV4 - 200	1/200	55	180	2	2800
CH2 - 050	1/50	25	8	0.30	300
CH2 - 100	1/100	25	35	0.80	600
CH2 - 200	1/200	25	120	4.2	1200
CH3 - 050	1/50	40	8	0.20	500
CH3 - 100	1/100	40	33	0.50	1000
CH3 - 200	1/200	40	135	3	2000
CH4 - 050	1/50	55	12	0.20	700
CH4 - 100	1/100	55	45	0.60	1400
CH4 - 200	1/200	55	180	2	2800



Notes:

Ls: Secondary inductance 10KHz / 10 mV.

$V_B \times \tau = V = R_B \times I_s \quad \tau = 1/2F$

I_P (A): Primary current.

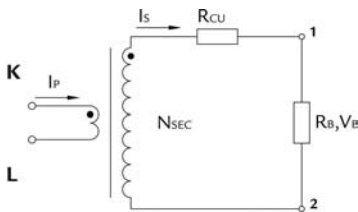
I_S (A): Secondary current.

R_B (Ω): Load resistance.

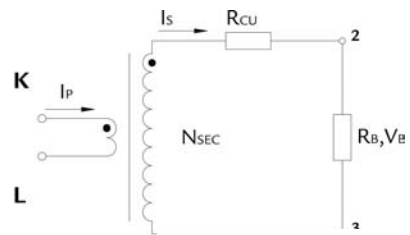
F (Hz): Switching frequency.

R_{cu} (Ω): Secondary winding DCR.

Test Circuit



CH series



CV/CH Series

SMPS High Isolation (2500V min) Current Transformers

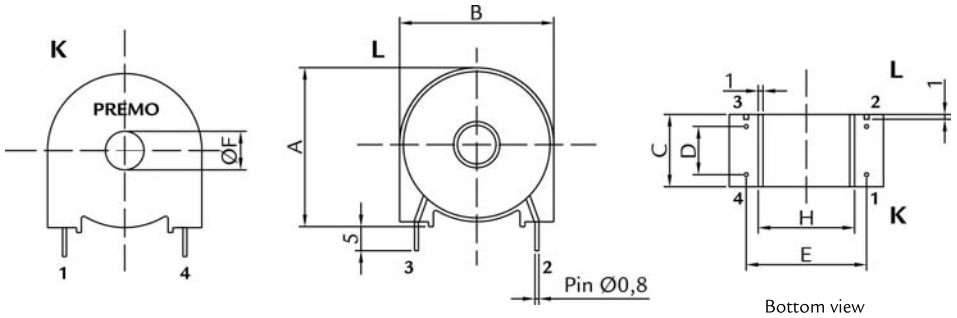
www.DataSheet4U.com

Product List CV Serie

Type	A	B	C	D	E	F
CV1	20	18	10.5	5	15	5
CV2	25.5	23	12.5	7.5	17.5	5
CV3	29.5	27	15	10	22.5	6
CV4	33.5	32	15	10	25	8

Dimensions in mm.
Tolerances ± 0.1 unless otherwise noted.

Dimensions



Product List CH Serie

Type	A	B	C	D	E	F
CH2	23	22	15	20	12.5	5
CH3	28	28	17.5	25	15	6
CH4	33	32	17.5	30	20	8

Dimensions in mm.
Tolerances ± 0.1 unless otherwise noted.

Dimensions

