

W2SW0001

Complete 802.11b/g System in Package WLAN Radio Solution designed specifically for mobile and embedded applications such as Smartphones, PDAs and MP3 Players.

General Description:

The W2SW0001 System-in-Package (SiP) is a complete 802.11b/g radio solution. Our radio solution is designed specifically for the developers of portable electronics such as MP3/MP4 Players, PDAs and Smartphones. The W2SW0001 features the small footprint and interfaces commonly required by handheld/portable devices. The W2SW0001 gives developers a quicker time to market, and lower cost to integrate Wi-Fi™ functionality into their portable/handheld products.

Key Features:

- Small Form Factor 9.5mm X 9.5mm x 1.4mm
- System-in-Package LGA Solution
- Certified Dual Mode Radio
- Ultra Low Power Consumption
- Optimized RF & Electrical Design
- RoHS Compliant
- Support for most popular Handheld Interfaces

Applications:

- MP3 Audio and MP4 Video Players
- WLAN Handheld Terminals
- Smartphones
- Personal Digital Assistants (PDAs)
- VOIP Phones and Terminals
- Industrial Products
- Handheld Terminals
- Digital Cameras and Video Recorders
- Other Portable Devices which require Wireless connectivity.

Certified Radio Subsystem:

- ISM Band 802.11b/g
- Full support for 802.11e (QoS)
- Integrated Clock and Power Control
- Support for 802.11i (Security)

Interfaces:

- SDIO 1.1 Interface
- Optional G-SPI Interface
- Programmable I/O Pins
- Bluetooth Coexistence Support
- 50Ω Antenna Interface

Driver Support:

WinXP

WinVista

WinCE

LINUX*

*Can be ported to other Operating Systems

Part Numbers:

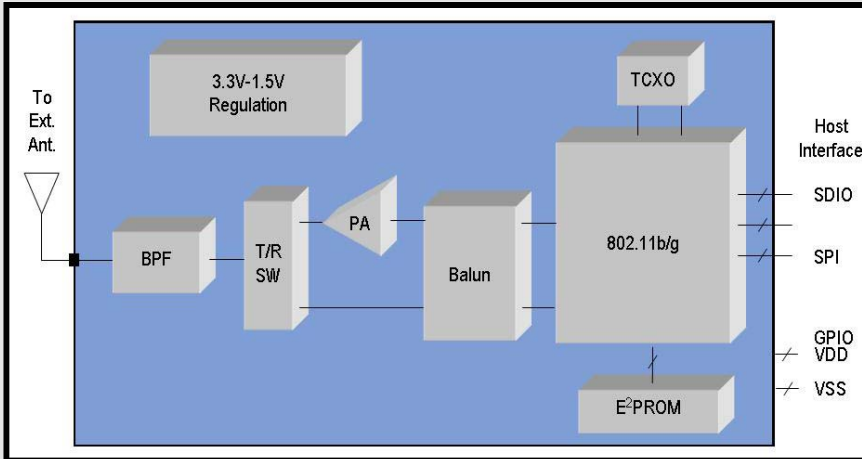
W2SW0001

- System in Package, SMD, Tape & Reel
- W2SW0001-SAM

- 5 Unit Sample Set

W2SW0001-DEV

- Development System, W2SW0001



The W2SW0001 SiP delivers a complete, WLAN radio solution. All functionality, including the radio modem, interface control, diagnostics, timing, and power regulation are included in a certified compact ready to integrate package.

Data Rates:

- 802.11b/g
- CCK: 1, 2, 5.5, and 11Mb/s
 - OFDM: 6, 9, 12, 18, 24, 36, 48, and 54Mb/s

Input Power:

- Supply Voltage 3.3V, Regulated to 1.5V
- Current: TBA mA

Power Consumption :

- | | |
|-------------------|--------|
| • TX | 275 mA |
| • RX | 242 mA |
| • IEEE Power Save | 10 mA |
| • Sleep | 2 mA |

Temperature Range:

- Operating Temperature: -20°C to +75°C
- Storage Temperature: -40°C to +85°C

Security:

- WEP, TKIP, WPA and AES/CCMP per 802.11i

Package Dimensions:

- 9.5mm x 9.5mm x 1.4mm
- LGA, TBA PINS

Transmit Power:

- 802.11 b Pout = +15 dBm Typ.
- 802.11g Pout = +15 dBm Typ.

Receiver Sensitivity:

- 54 Mb/s @ -74 dBm OFDM
- 6 Mb/s @ -90 dBm OFDM
- 11 Mb/s @ -88 dBm CCK
- 1 Mb/s @ -90 dBm DSSS

Baseband Modulation:

- 802.11g OFDM
- 802.11 b DSSS/CCK

Quality of Service:

- 802.11e EDCF

Your Wi2Wi Representative:

www.DataSheet4U.com

About Wi2Wi, Inc.

Operating since 1997, Wi2Wi Inc. is a premier supplier of Modem, 802.11, Bluetooth, GPS and combination solutions. Wi2Wi develops and supplies Module and System-in-Package Wireless Products to the world's largest Handheld, PC and Peripheral OEMs. Wi2Wi, with its patent-pending wireless integration technology along with industry leading silicon and supply chain partners, is committed to providing cost effective, high quality solutions for the wireless communications market.

To request more information about Wi2Wi please contact us at: info@wi2wi.com or visit us on the web at www.Wi2Wi.com