

0.50mm

(0.02") PITCH CONNECTOR



05002HR-NNJ02

Material

I/NO	DESCRIPTION	MATERIAL
1	HOUSING	THERMO PLASTIC, UL94V-0
2	ACTUATOR	THERMO PLASTIC, UL94V-0
3	TERMINAL	Phosphor Bronze, Au-plated
4	HOOK	Phosphor Bronze, Au-plated

**FPC/FFC
Connectors**

Housing

Emboss
Type

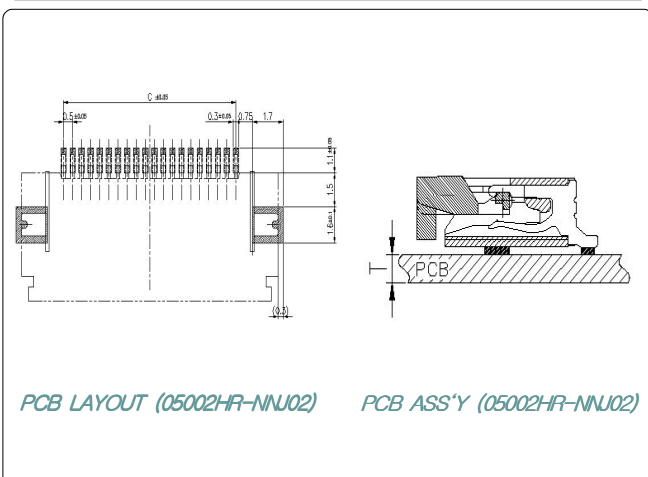
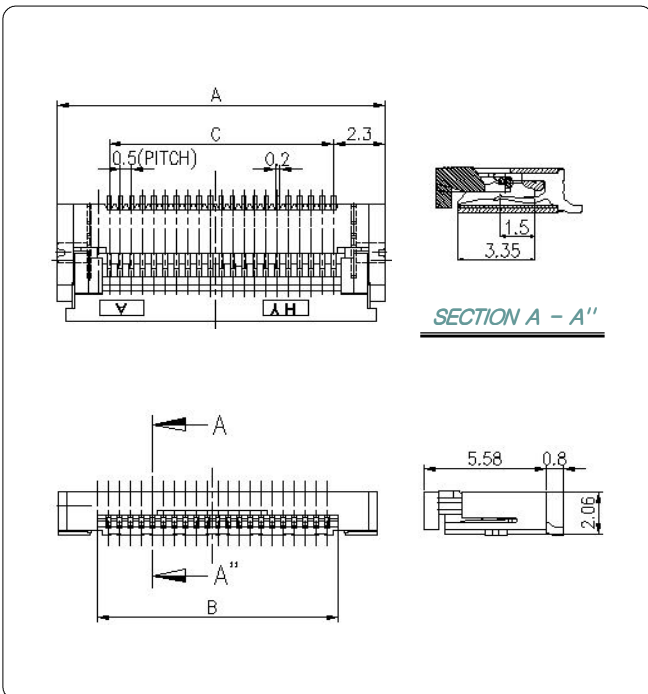
SMT
Type

ZIF
Type

Bottom
Contact

Available Pin

PARTS NO.	A	B	C
05002HR-25J02	16.6	13.0	12.0
05002HR-26J02	17.1	13.5	12.5
05002HR-27J02	17.6	14.0	13.0
05002HR-28J02	18.1	14.5	13.5
05002HR-29J02	18.6	15.0	14.0
05002HR-30J02	19.1	15.5	14.5
05002HR-31J02	19.6	16.0	15.0
05002HR-32J02	20.1	16.5	15.5
05002HR-33J02	20.6	17.0	16.0
05002HR-34J02	21.1	17.5	16.5
05002HR-35J02	21.6	18.0	17.0
05002HR-36J02	22.1	18.5	17.5
05002HR-37J02	22.6	19.0	18.0
05002HR-38J02	23.1	19.5	18.5
05002HR-39J02	23.6	20.0	19.0
05002HR-40J02	24.1	20.5	19.5
05002HR-41J02	24.6	21.0	20.0
05002HR-42J02	25.1	21.5	20.5
05002HR-43J02	25.6	22.0	21.0
05002HR-44J02	26.1	22.5	21.5
05002HR-45J02	26.6	23.0	22.0
05002HR-46J02	27.1	23.5	22.5
05002HR-47J02	27.6	24.0	23.0
05002HR-48J02	28.1	24.5	23.5
05002HR-49J02	28.6	25.0	24.0
05002HR-50J02	29.1	25.5	24.5
05002HR-55J02	31.6	28.0	27.0
05002HR-60J02	34.1	30.5	29.5



PCB LAYOUT (05002HR-NNJ02)

PCB ASS'Y (05002HR-NNJ02)

Specification

ITEM	SPEC
Voltage Rating	AC/DC 50V
Current Rating	AC/DC 0.4A
Operating Temperature	-25°C~+85°C
Contact Resistance	30mΩ MAX
Withstanding Voltage	AC250V/1min
Insulation Resistance	100MΩ MIN
Applicable Wire	-
Applicable P.C.B	0.8 ~ 1.6mm
Applicable FPC/FFC	0.30±0.02mm
Solder Height	0.15mm
Crimp Tensile Strength	-
UL FILE NO	-