




# Product Specification

AU OPTRONICS CORPORATION

- ( ) Preliminary Specifications
- (V) Final Specifications

|   |   |
|---|---|
| <b>Module</b>   | <b>14.1" WXGA Color TFT-LCD with LED Backlight design</b> |
| <b>Model Name</b>   | <b><i>B141EW05 V3</i></b>                                 |
| <b>Note</b> (  ) | <b><i>LED Backlight design</i></b>                        |

|   |             |
|---|-------------|
| <b>Customer</b>   | <b>Date</b> |
|   |             |
| <b>Checked &amp; Approved by</b>                              | <b>Date</b> |
| _____   | _____       |
| Note: This Specification is subject to change without notice. |             |

|   |                   |
|---|-------------------|
| <b>Approved by</b>  | <b>Date</b>       |
| <u>Beyond Yang</u>  | <u>09/25/2008</u> |
| <b>Prepared by</b>  |                   |
| <u>Jeff Hou</u>   | <u>09/25/2008</u> |
| <b>NBBU Marketing Division /<br/>AU Optronics corporation</b> |                   |



Contents

**1. Handling Precautions ..... 4**

**2. General Description ..... 5**

    2.1 General Specification .....5

    2.2 Optical Characteristics .....6

**3. Functional Block Diagram ..... 11**

**4. Absolute Maximum Ratings..... 12**

    4.1 Absolute Ratings of TFT LCD Module .....12

    4.2 Absolute Ratings of Backlight Unit.....12

    4.3 Absolute Ratings of Environment .....12

**5. Electrical characteristics ..... 13**

    5.1 TFT LCD Module.....13

    5.2 Backlight Unit .....15

**6. Signal Characteristic ..... 16**

    6.1 Pixel Format Image .....16

    6.2 The input data format .....17

    6.3 Signal Description/Pin Assignment.....18

    6.4 Interface Timing .....22

**7. Connector Description..... 24**

    7.1 TFT LCD Module.....24

**8. LED Driving Specification ..... 25**

    8.1 Connector Description.....25

    8.2 Pin Assignment.....25

**9. Vibration and Shock Test ..... 26**

    9.1 Vibration Test .....26

    9.2 Shock Test Spec:.....26

**10. Reliability..... 27**

**11. Mechanical Characteristics..... 28**

    11.1 LCM Outline Dimension .....28

    11.2 Screw Hole Depth and Center Position .....30

**12. Shipping and Package ..... 31**

    12.1 Shipping Label Format .....31

    12.2 Carton package .....32

    11.3 Shipping package of palletizing sequence.....32

**13. Appendix: EDID description ..... 33**



# Product Specification

AU OPTRONICS CORPORATION

## Record of Revision

| Version and Date | Page  | Old description            | New Description                                  | Remark |
|------------------|-------|----------------------------|--|--------|
| 0.1 2008/5/16    | All   | First Edition for Customer |  |        |
| 0.2 2008/5/26    | 12    | LED Light bar Driving      | Update LED Light bar Driving = 25.2 (Row Output) |        |
| 0.3 2008/6/9     | 29,30 | Update drawing             | Update drawing                                   |        |
| 0.4 2008/8/14    | 32    | Update Label               | Update Label                                     |        |
| 0.5 2008/9/25    | 6     |                            | Update response time and color coordinates       |        |
|                  | 20,28 |                            | Update drawing                                   |        |
|                  | 22    |                            | Update clock frequency =70.5                     |        |
|                  | 33    |                            | Update EDID                                      |        |
| 1.0              | 1     |                            | Final specifications                             |        |
|                  |       |                            |  |        |

## 1. Handling Precautions

- 1) Since front polarizer is easily damaged, pay attention not to scratch it.
- 2) Be sure to turn off power supply when inserting or disconnecting from input connector.
- 3) Wipe off water drop immediately. Long contact with water may cause discoloration or spots.
- 4) When the panel surface is soiled, wipe it with absorbent cotton or other soft cloth.
- 5) Since the panel is made of glass, it may break or crack if dropped or bumped on hard surface.
- 6) Since CMOS LSI is used in this module, take care of static electricity and insure human earth when handling.
- 7) Do not open nor modify the Module Assembly.
- 8) Do not press the reflector sheet at the back of the module to any directions.
- 9) At the insertion or removal of the Signal Interface Connector, be sure not to rotate nor tilt the Interface Connector of the TFT Module.
- 11) After installation of the TFT Module into an enclosure (Notebook PC Bezel, for example), do not twist nor bend the TFT Module even momentary. At designing the enclosure, it should be taken into consideration that no bending/twisting forces are applied to the TFT Module from outside. Otherwise the TFT Module may be damaged.
- 12) Small amount of materials having no flammability grade is used in the LCD module. The LCD module should be supplied by power complied with requirements of Limited Power Source (IEC60950 or UL1950), or be applied exemption.
- 13) Disconnecting power supply before handling LCD modules, it can prevent electric shock, DO NOT TOUCH the electrode parts, cables, connectors and LED circuit part of TFT module that a LED light bar build in as a light source of back light unit. High voltage is supplied to these parts when power turn on.



## 2. General Description

B141EW05 V3 is a Color Active Matrix Liquid Crystal Display composed of a TFT LCD panel, and LED backlight system. The screen format is intended to support the WXGA (1280(H) x 800(V)) screen and 262k colors (RGB 6-bits data driver) . All input signals are LVDS interface compatible.

B141EW05 V3 is designed for a display unit of notebook style personal computer and industrial machine.

### 2.1 General Specification

The following items are characteristics summary on the table at 25 °C condition:

| Items   | Unit                 | Specifications  |      |       |      |
|---|----------------------|---|------|-------|------|
| Screen Diagonal   | [mm]                 | 357.7 (14.1W")  |      |       |      |
| Active Area   | [mm]                 | 303.36 X 189.6  |      |       |      |
| Pixels H x V  |                      | 1280x3(RGB) x 800   |      |       |      |
| Pixel Pitch   | [mm]                 | 0.237   |      |       |      |
| Pixel Format  |                      | B.G.R. Vertical Stripe  |      |       |      |
| Display Mode  |                      | Normally White  |      |       |      |
| White Luminance (I <sub>LED</sub> =20mA)<br>Note: I <sub>LED</sub> is LED current | [cd/m <sup>2</sup> ] | 220 typ. (5 points average)<br>187 min. (5 points average)<br>(Note1) |      |       |      |
| Luminance Uniformity  |                      | 1.25 max. (5 points)  |      |       |      |
| Contrast Ratio  |                      | 400 typ   |      |       |      |
| Response Time   | [ms]                 | 8 typ / 12 Max  |      |       |      |
| Nominal Input Voltage VDD   | [Volt]               | +3.3 typ.   |      |       |      |
| Power Consumption   | [Watt]               | 4.4 max. (Include Logic and Blu power)                                |      |       |      |
| Weight  | [Grams]              | 385 max.  |      |       |      |
| Physical Size <b>without inverter, bracket.</b>                                   | [mm]                 |   | Min. | Typ.  | Max. |
|   |                      | Length  | 319  | 319.5 | 320  |
|   |                      | Width   | 205  | 205.5 | 206  |
|   |                      | Thickness   | 4.8  | -     | 5.5  |
| Electrical Interface  |                      | 1 channel LVDS  |      |       |      |
| Surface Treatment   |                      | Anti-Glare,   |      |       |      |



# Product Specification

AU OPTRONICS CORPORATION

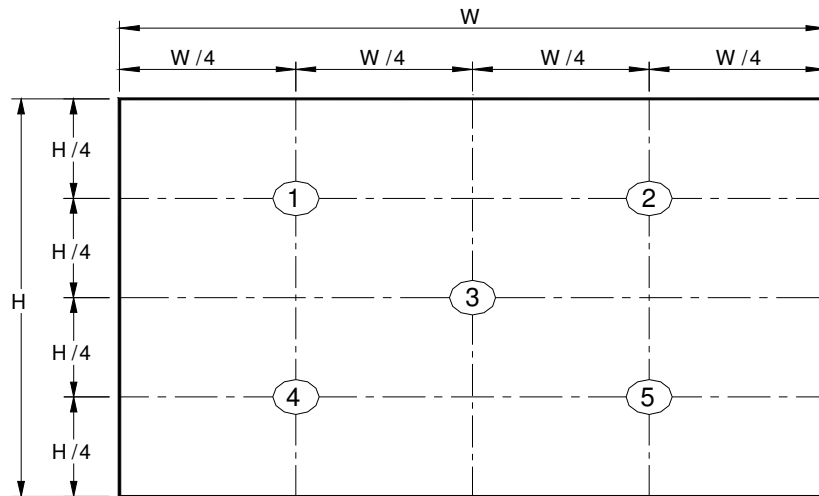
|   |              |                           |
|---|--------------|---------------------------|
| Support Color   |              | 262K colors ( RGB 6-bit ) |
| Temperature Range<br>Operating<br>Storage (Non-Operating) | [°C]<br>[°C] | 0 to +50<br>-20 to +65    |
| RoHS Compliance   |              | RoHS Compliance           |

## 2.2 Optical Characteristics

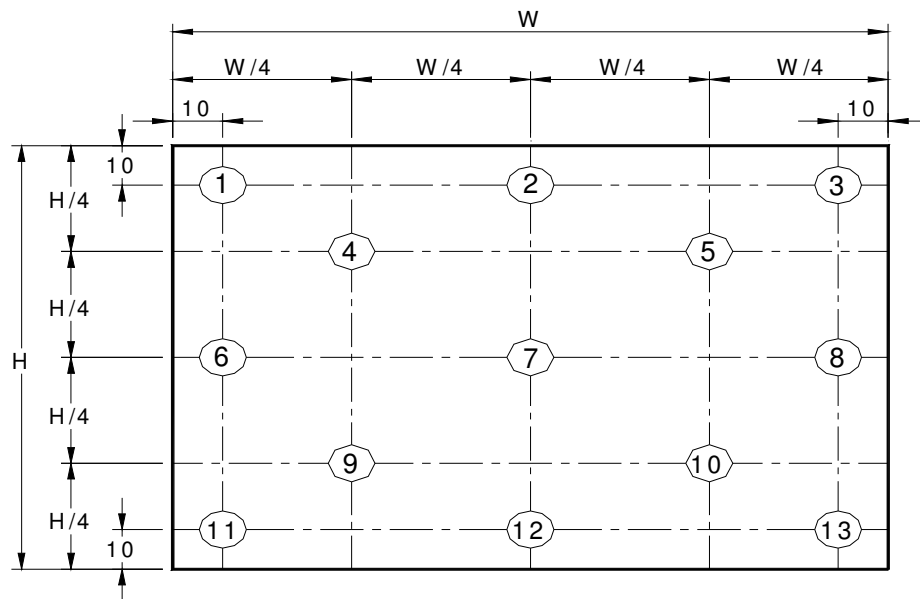
The optical characteristics are measured under stable conditions at 25°C (Room Temperature) :

| Item                              | Symbol         | Conditions                           | Min.  | Typ.  | Max.  | Unit              | Note     |
|-----------------------------------|----------------|--------------------------------------|-------|-------|-------|-------------------|----------|
| White Luminance<br>$I_{LED}=20mA$ |                | 5 points average                     | 187   | 220   | -     | cd/m <sup>2</sup> | 1, 4, 5. |
| Viewing Angle                     | $\theta_R$     | Horizontal (Right)<br>CR = 10 (Left) | 40    | 45    | -     | degree            | 4, 9     |
|                                   | $\theta_L$     |                                      | 40    | 45    | -     |                   |          |
|                                   | $\phi_H$       | Vertical (Upper)<br>CR = 10 (Lower)  | 10    | 15    | -     |                   |          |
|                                   | $\phi_L$       |                                      | 30    | 35    | -     |                   |          |
| Luminance Uniformity              | $\delta_{5P}$  | 5 Points                             | -     | -     | 1.25  |                   | 1, 3, 4  |
| Luminance Uniformity              | $\delta_{13P}$ | 13 Points                            | -     | -     | 1.50  |                   | 2, 3, 4  |
| Contrast Ratio                    | CR             |                                      | 300   | 400   | -     |                   | 4, 6     |
| Cross talk                        | %              |                                      |       |       | 4     |                   | 4, 7     |
| Response Time                     | $T_r$          | Rising                               | -     | 6     | 10    | msec              | 4, 8     |
|                                   | $T_f$          | Falling                              | -     | 2     | 5     |                   |          |
|                                   | $T_{RT}$       | Rising + Falling                     | -     | 8     | 12    |                   |          |
| Color / Chromaticity Coordinates  | Red x          | CIE 1931                             | 0.556 | 0.586 | 0.616 |                   | 4        |
|                                   | Red y          |                                      | 0.316 | 0.346 | 0.376 |                   |          |
|                                   | Green x        |                                      | 0.311 | 0.341 | 0.371 |                   |          |
|                                   | Green y        |                                      | 0.546 | 0.576 | 0.606 |                   |          |
|                                   | Blue x         |                                      | 0.127 | 0.157 | 0.187 |                   |          |
|                                   | Blue y         |                                      | 0.090 | 0.120 | 0.150 |                   |          |
|                                   | White x        |                                      | 0.283 | 0.313 | 0.343 |                   |          |
|                                   | White y        |                                      | 0.299 | 0.329 | 0.359 |                   |          |
| NTSC                              | %              |                                      | -     | 45    | -     |                   |          |

**Note 1:** 5 points position (Ref: Active area)



**Note 2:** 13 points position (Ref: Active area)



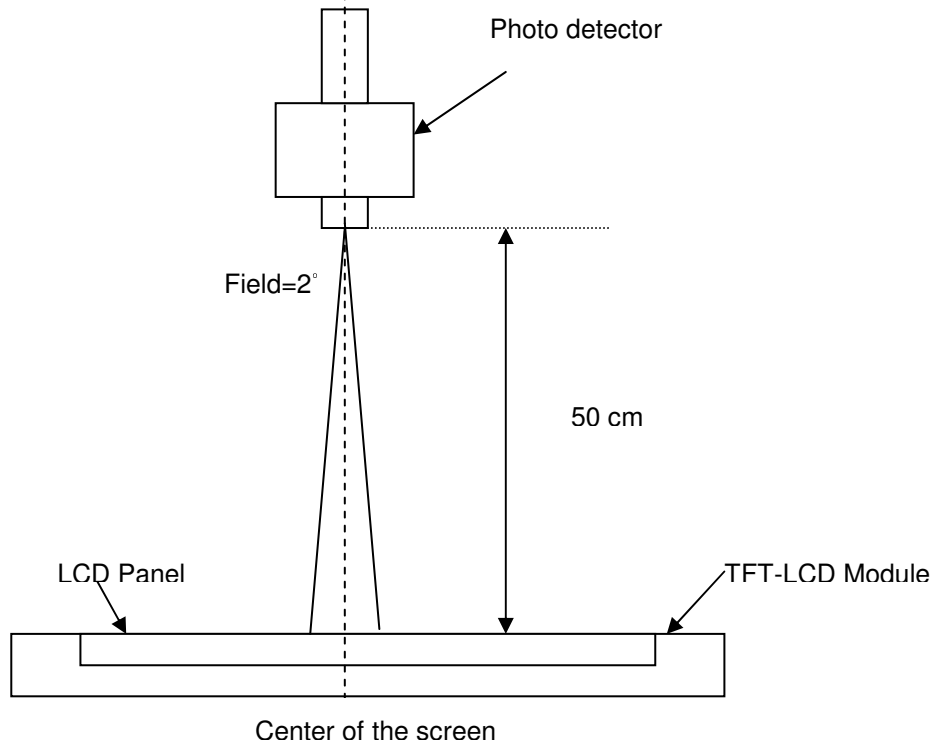
**Note 3:** The luminance uniformity of 5 or 13 points is defined by dividing the maximum luminance values by the minimum test point luminance

$$\delta_{w5} = \frac{\text{Maximum Brightness of five points}}{\text{Minimum Brightness of five points}}$$

$$\delta_{w13} = \frac{\text{Maximum Brightness of thirteen points}}{\text{Minimum Brightness of thirteen points}}$$

**Note 4:** Measurement method

The LCD module should be stabilized at given temperature for 30 minutes to avoid abrupt temperature change during measuring. In order to stabilize the luminance, the measurement should be executed after lighting Backlight for 30 minutes in a stable, windless and dark room, , and it should be measured in the center of screen.



**Note 5 :** Definition of Average Luminance of White ( $Y_L$ ):

Measure the luminance of gray level 63 at 5 points ,  $Y_L = [L (1)+ L (2)+ L (3)+ L (4)+ L (5)] / 5$

$L (x)$  is corresponding to the luminance of the point X at Figure in Note (1).

**Note 6 :** Definition of contrast ratio:

Contrast ratio is calculated with the following formula.

$$\text{Contrast ratio (CR)} = \frac{\text{Brightness on the "White" state}}{\text{Brightness on the "Black" state}}$$

**Note 7 :** Definition of Cross Talk (CT)

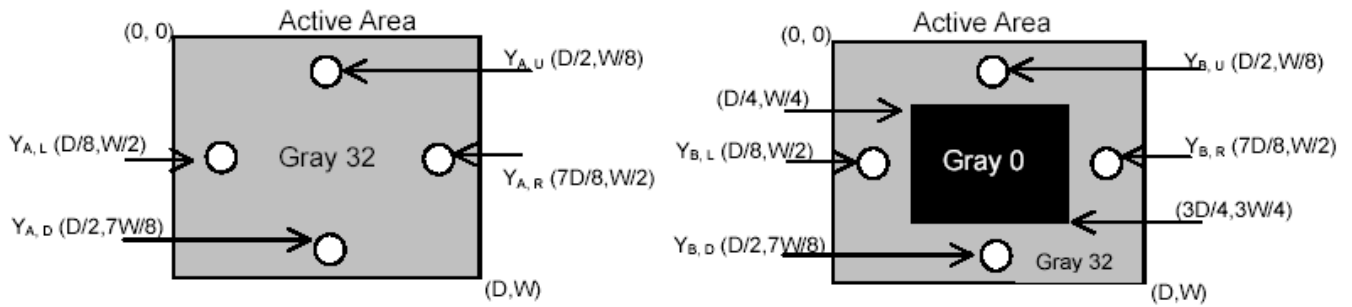
$$CT = | Y_B - Y_A | / Y_A \times 100 (\%)$$

Where

$Y_A$  = Luminance of measured location without gray level 0 pattern ( $\text{cd}/\text{m}^2$ )

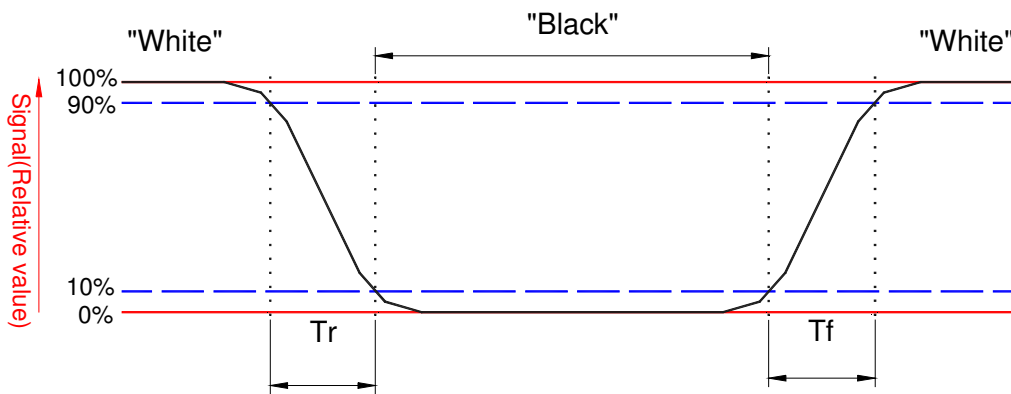


$Y_B$  = Luminance of measured location with gray level 0 pattern (cd/m<sup>2</sup>)



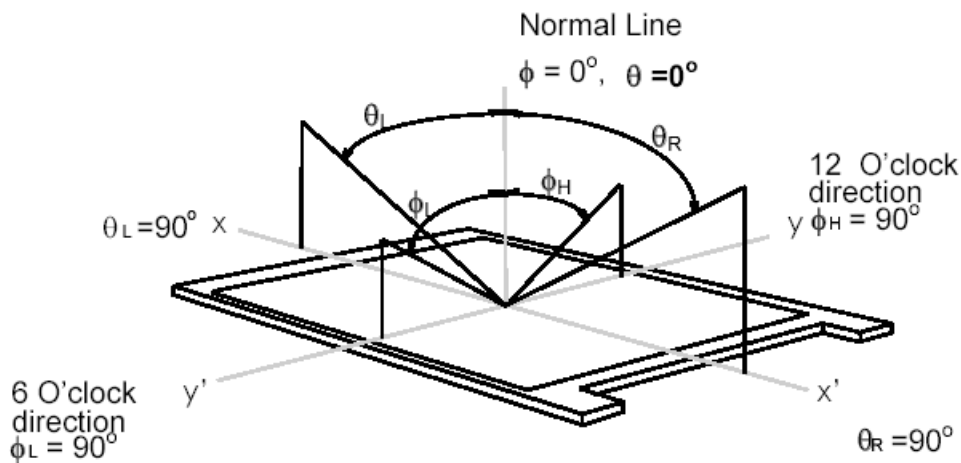
**Note 8:** Definition of response time:

The output signals of BM-7 or equivalent are measured when the input signals are changed from “Black” to “White” (falling time) and from “White” to “Black” (rising time), respectively. The response time interval between the 10% and 90% of amplitudes. Refer to figure as below.



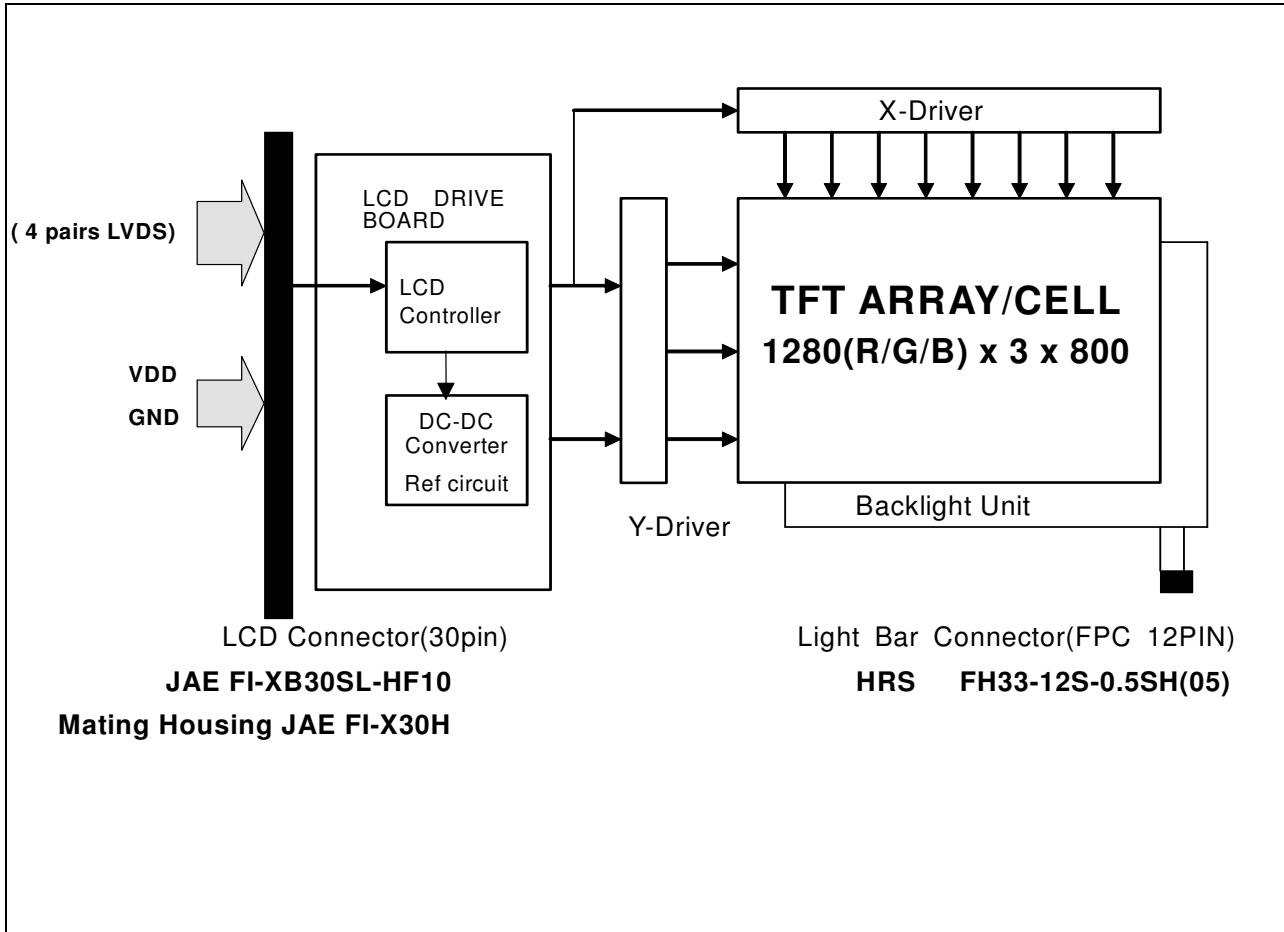
**Note 9.** Definition of viewing angle

Viewing angle is the measurement of contrast ratio  $\geq 10$ , at the screen center, over a  $180^\circ$  horizontal and  $180^\circ$  vertical range (off-normal viewing angles). The  $180^\circ$  viewing angle range is broken down as follows;  $90^\circ$  ( $\theta$ ) horizontal left and right and  $90^\circ$  ( $\Phi$ ) vertical, high (up) and low (down). The measurement direction is typically perpendicular to the display surface with the screen rotated about its center to develop the desired measurement viewing angle.



## 3. Functional Block Diagram

The following diagram shows the functional block of the 14.1 inches wide Color TFT/LCD 30 Pin One ch / connector Module:



## 4. Absolute Maximum Ratings

An absolute maximum rating of the module is as following:

### 4.1 Absolute Ratings of TFT LCD Module

| Item                    | Symbol          | Min  | Max  | Unit   | Conditions |
|-------------------------|-----------------|------|------|--------|------------|
| Logic/LCD Drive Voltage | V <sub>in</sub> | -0.3 | +4.0 | [Volt] | Note 1,2   |

### 4.2 Absolute Ratings of Backlight Unit

| Item                  | Symbol           | Min | Typ               | Unit     | Conditions |
|-----------------------|------------------|-----|-------------------|----------|------------|
| LED Light bar Driving | V <sub>LED</sub> |     | 25.2 (Row Output) | [Volt]   | Note 1,2,3 |
| LED Light bar Driving | I <sub>LED</sub> | -   | 20 (Row Output)   | [mA] rms | Note 1,3   |

### 4.3 Absolute Ratings of Environment

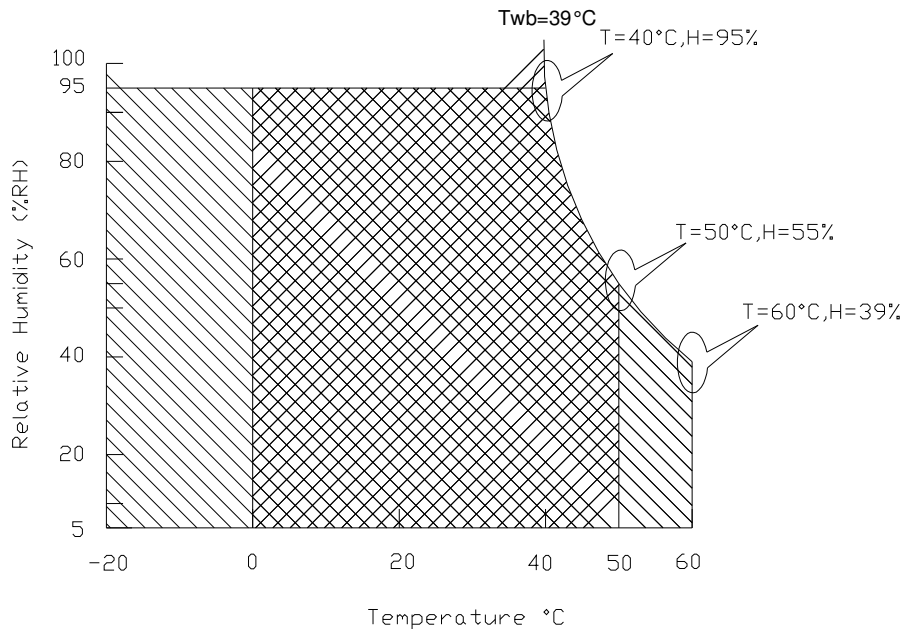
| Item                  | Symbol | Min | Max | Unit  | Conditions |
|-----------------------|--------|-----|-----|-------|------------|
| Operating Temperature | TOP    | 0   | +50 | [°C]  | Note 4     |
| Operation Humidity    | HOP    | 8   | 95  | [%RH] | Note 4     |
| Storage Temperature   | TST    | -20 | +65 | [°C]  | Note 4     |
| Storage Humidity      | HST    | 5   | 95  | [%RH] | Note 4     |

Note 1: At Ta (25°C )

Note 2: I<sub>LED</sub> =20mA

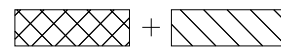
Note 3: LED specification refer to section 5.2

Note 4: For quality performance, please refer to AUO IIS (Incoming Inspection Standard).



Operating Range 

Storage Range



## 5. Electrical characteristics

### 5.1 TFT LCD Module

#### 5.1.1 Power Specification

Input power specifications are as follows;

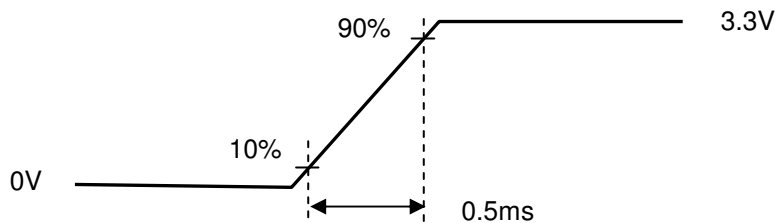
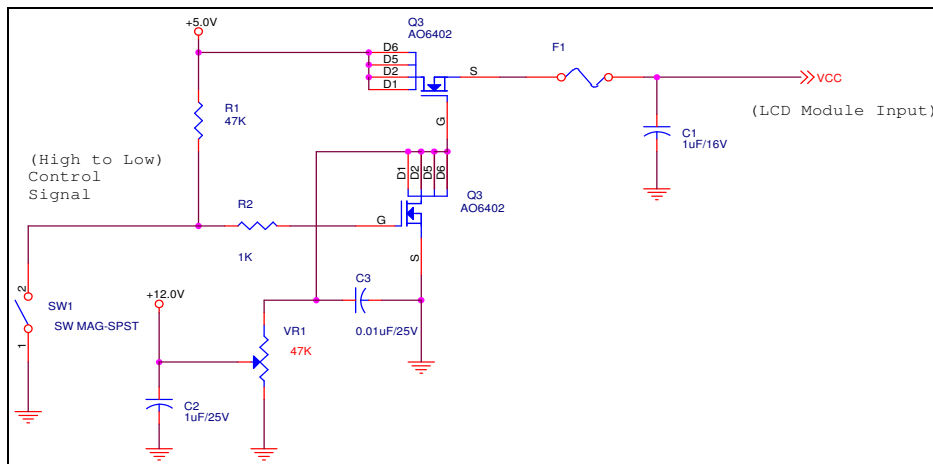
The power specification are measured under 25°C and frame frequency under 60Hz

| Symble | Parameter                                | Min | Typ | Max  | Units    | Note     |
|--------|--|-----|-----|------|----------|----------|
| VDD    | Logic/LCD Drive Voltage                  | 3.0 | 3.3 | 3.6  | [Volt]   |          |
| PDD    | VDD Power                                | -   | -   | 1.1  | [Watt]   | Note 1/2 |
| IDD    | IDD Current                              | -   | 350 | 450  | [mA]     | Note 1/2 |
| IRush  | Inrush Current                           | -   | -   | 2000 | [mA]     | Note 3   |
| VDDrp  | Allowable Logic/LCD Drive Ripple Voltage | -   | -   | 100  | [mV] p-p |          |

Note 1 : Maximum Measurement Condition : Black Pattern

Note 2 : Typical Measurement Condition: Mosaic Pattern

Note 3 : Measure Condition



Vin rising time

## 5.1.2 Signal Electrical Characteristics

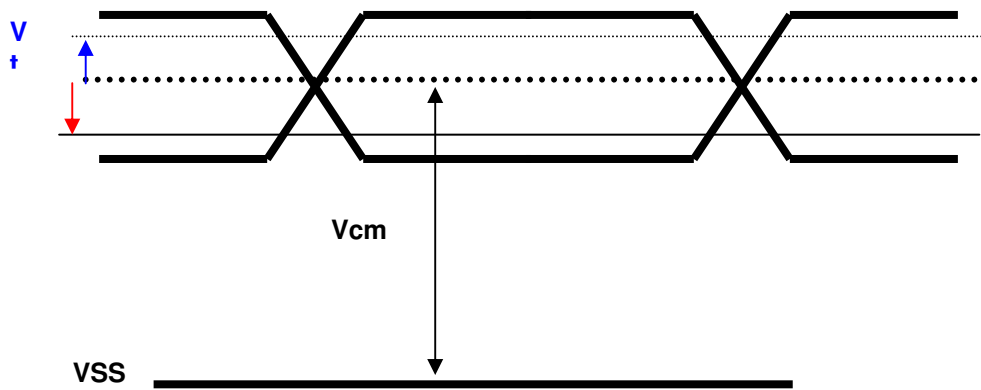
Input signals shall be low or High-impedance state when VDD is off.

It is recommended to refer the specifications of THC63LVDF84A (Thine Electronics Inc.) in detail.

Signal electrical characteristics are as follows;

| Parameter | Condition                                     | Min   | Max   | Unit |
|-----------|---|-------|-------|------|
| Vth       | Differential Input High Threshold (Vcm=+1.2V) | -     | 100   | [mV] |
| Vtl       | Differential Input Low Threshold (Vcm=+1.2V)  | -100  | -     | [mV] |
| Vcm       | Differential Input Common Mode Voltage        | 1.125 | 1.375 | [V]  |

Note: LVDS Signal Waveform





# Product Specification

AU OPTRONICS CORPORATION

## 5.2 Backlight Unit

LED Parameter guideline for LED driving selection (Ref. Remark 1)

| Parameter           | Symbol | Min    | Typ  | Max  | Units  | Condition  |
|---------------------|--------|--------|------|------|--------|--|
| LED Forward Voltage | $V_F$  | 2.95   | 3.15 | 3.35 | [Volt] | ( $T_a=25^\circ\text{C}$ )<br>Note 1                       |
| LED Forward Current | $I_F$  |        | 20   | 30   | [mA]   | ( $T_a=25^\circ\text{C}$ )<br>Note 1                       |
| LED Life-Time       | N/A    | 10,000 | -    | -    | Hour   | ( $T_a=25^\circ\text{C}$ )<br>$I_F=20\text{ mA}$<br>Note 2 |

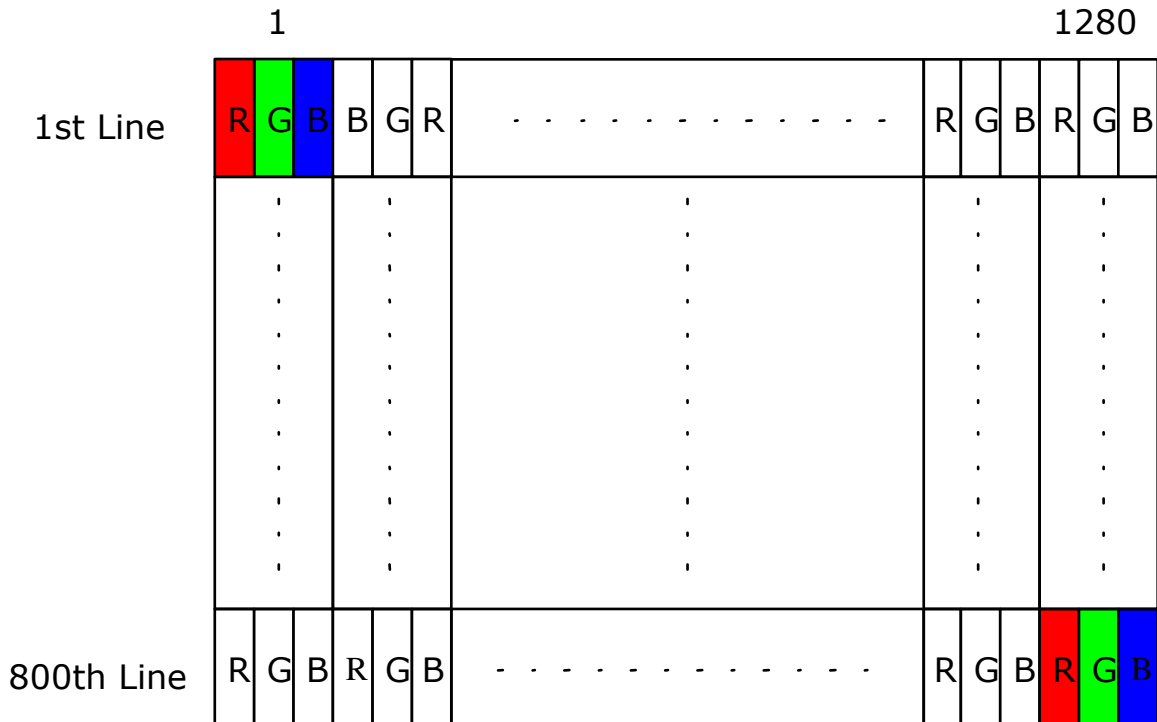
**Note 1:** Calculator value for LED chip specification

**Note 2:** The LED life-time define as the estimated time to 50% degradation of initial luminous.

## 6. Signal Characteristic

### 6.1 Pixel Format Image

Following figure shows the relationship of the input signals and LCD pixel format.





## 6.2 The input data format



| Signal Name                      | Description  |   |
|----------------------------------|--|---|
| R5<br>R4<br>R3<br>R2<br>R1<br>R0 | Red Data 5 (MSB)<br>Red Data 4<br>Red Data 3<br>Red Data 2<br>Red Data 1<br>Red Data 0 (LSB)             | Red-pixel Data<br>Each red pixel's brightness data consists of these 6 bits pixel data.   |
| G5<br>G4<br>G3<br>G2<br>G1<br>G0 | Green Data 5 (MSB)<br>Green Data 4<br>Green Data 3<br>Green Data 2<br>Green Data 1<br>Green Data 0 (LSB) | Green-pixel Data<br>Each green pixel's brightness data consists of these 6 bits pixel data.   |
| B5<br>B4<br>B3<br>B2<br>B1<br>B0 | Blue Data 5 (MSB)<br>Blue Data 4<br>Blue Data 3<br>Blue Data 2<br>Blue Data 1<br>Blue Data 0 (LSB)       | Blue-pixel Data<br>Each blue pixel's brightness data consists of these 6 bits pixel data.   |
| RxCLKIN                          | Data Clock   | The signal is used to strobe the pixel data and DE signals. All pixel data shall be valid at the falling edge when the DE signal is high. |
| DE                               | Display Timing   | This signal is strobed at the falling edge of RxCLKIN. When the signal is high, the pixel data shall be valid to be displayed.            |
| VS                               | Vertical Sync  | The signal is synchronized to RxCLKIN .   |
| HS                               | Horizontal Sync  | The signal is synchronized to RxCLKIN .   |

Note: Output signals from any system shall be low or High-impedance state when VDD is off.

## 6.3 Signal Description/Pin Assignment

LVDS is a differential signal technology for LCD interface and high speed data transfer device.

| PIN# | Symbol   | Function   |
|------|----------|--|
| 1    | GND      | Ground   |
| 2    | VDD      | +3.3V Power Supply                               |
| 3    | VDD      | +3.3V Power Supply                               |
| 4    | VEDID    | +3.3V EDID Power                                 |
| 5    | NC       | No Connection (Reserve for AUO test)             |
| 6    | CLKEDID  | EDID Clock Input                                 |
| 7    | DATAEDID | EDID Data Input                                  |
| 8    | RxIN0-   | -LVDS differential data input (R0-R5, G0)        |
| 9    | RxIN0+   | +LVDS differential data input (R0-R5, G0)        |
| 10   | GND      | Ground   |
| 11   | RxIN1-   | -LVDS differential data input(G1-G5, B0-B1)      |
| 12   | RxIN1+   | +LVDS differential data input(G1-G5, B0-B1)      |
| 13   | GND      | Ground   |
| 14   | RxIN2-   | -LVDS differential data input(B2-B5, HS, VS, DE) |
| 15   | RxIN2+   | +LVDS differential data input(B2-B5, HS, VS, DE) |

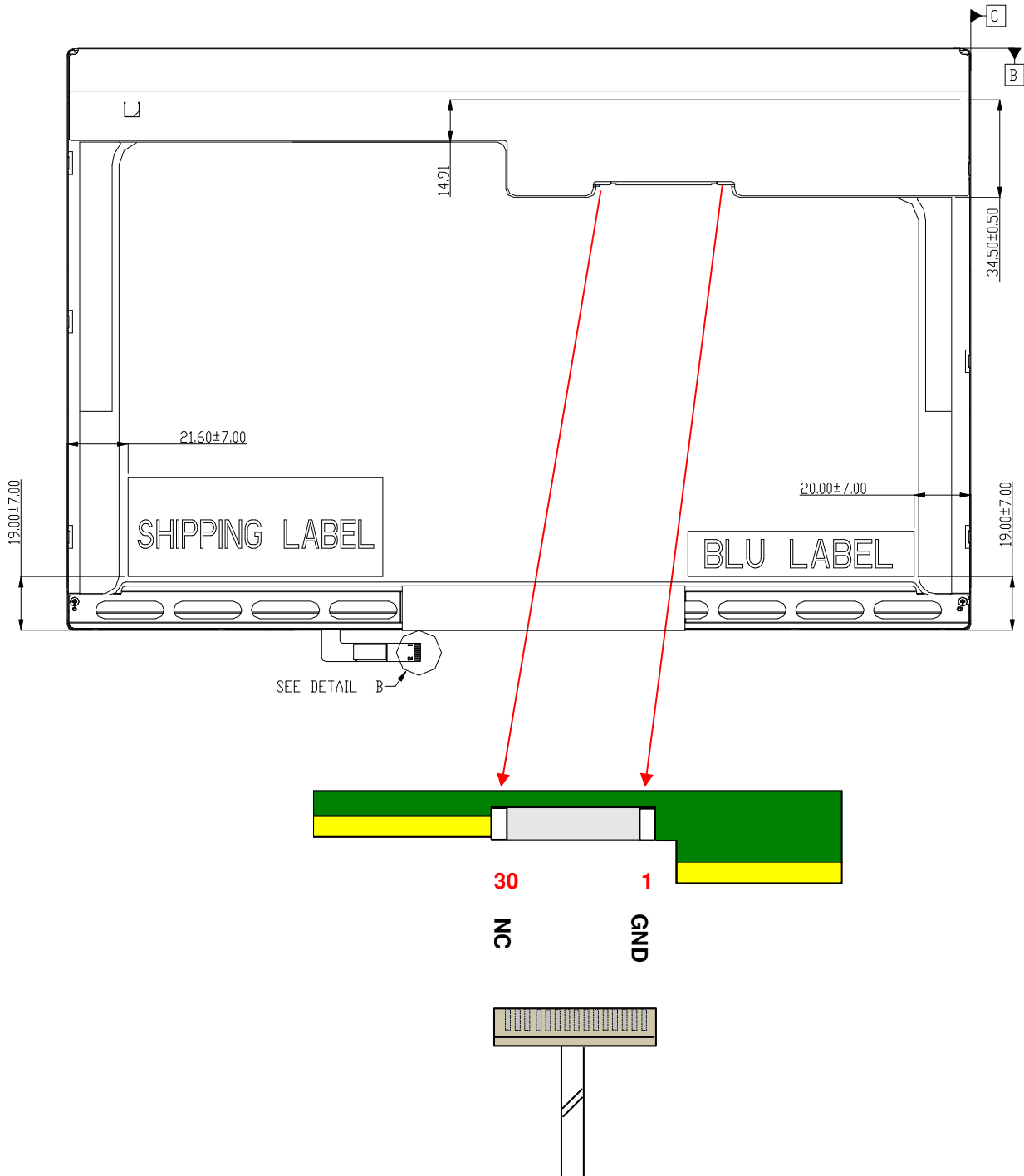


# Product Specification

AU OPTRONICS CORPORATION

| <b>PIN#</b> | <b>Symbol</b> | <b>Function</b>                |
|-------------|---------------|--------------------------------|
| 16          | GND           | Ground                         |
| 17          | RxCLKIN-      | -LVDS differential clock input |
| 18          | RxCLKIN+      | +LVDS differential clock input |
| 19          | GND           | Ground                         |
| 20          | NC            | No Connection                  |
| 21          | NC            | No Connection)                 |
| 22          | GND           | Ground                         |
| 23          | NC            | No Connection                  |
| 24          | NC            | No Connection                  |
| 25          | GND           | Ground                         |
| 26          | NC            | No Connection                  |
| 27          | NC            | No Connection                  |
| 28          | GND           | Ground                         |
| 29          | NC            | No Connection                  |
| 30          | NC            | No Connection                  |

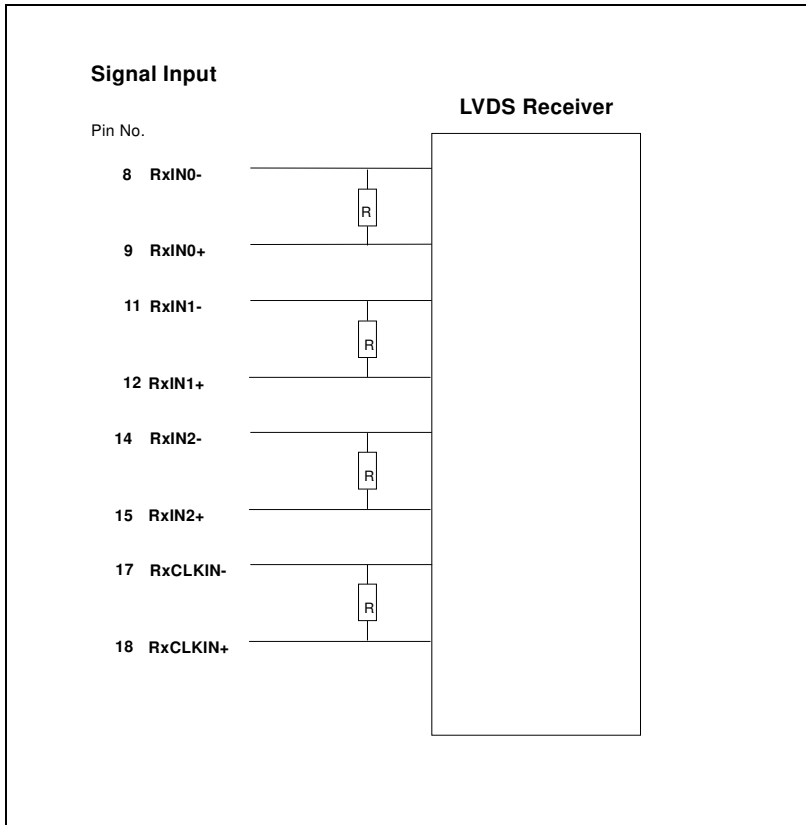
Note1: Start from right side



Note2: Input signals shall be low or High-impedance state when VDD is off.

internal circuit of LVDS inputs are as following.

The module uses a 100ohm resistor between positive and negative data lines of each receiver input



## 6.4 Interface Timing

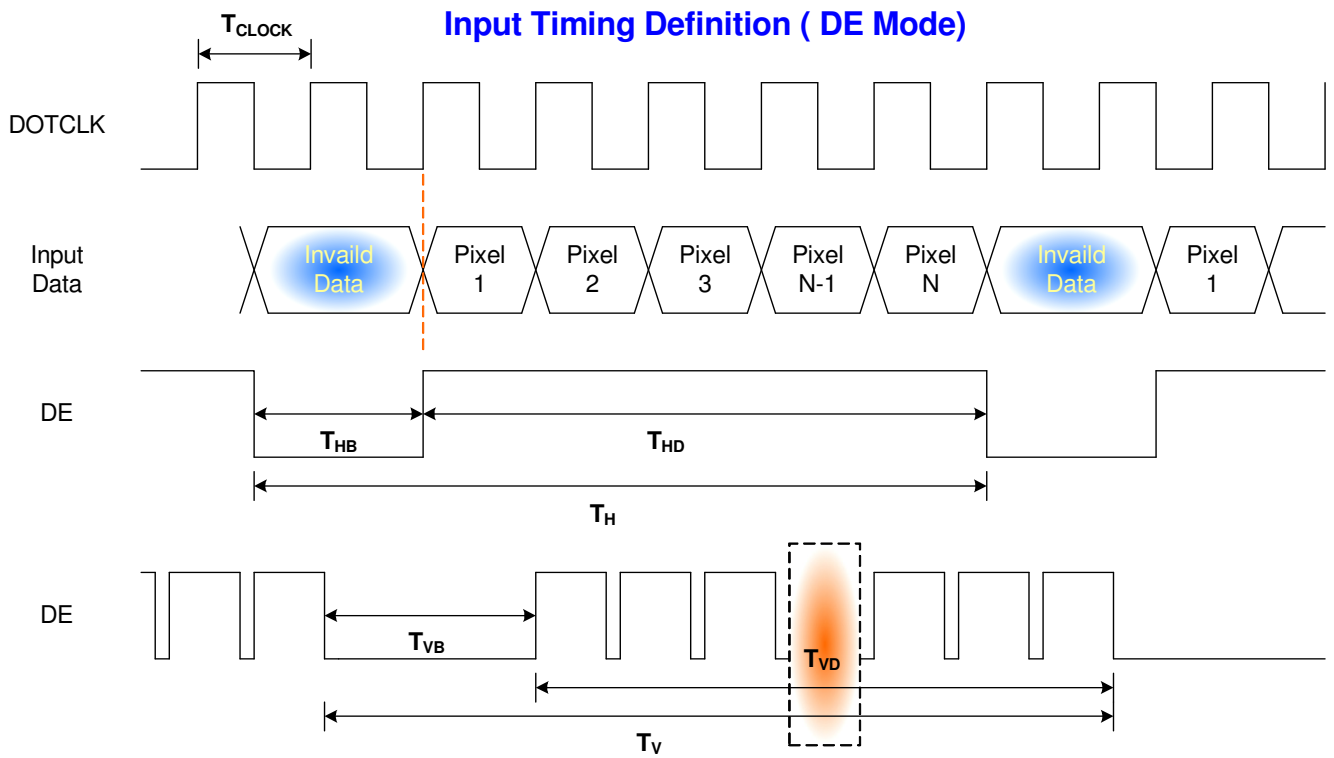
### 6.4.1 Timing Characteristics

Basically, interface timings should match the 1280x800 /60Hz manufacturing guide line timing.

| Parameter          | Symbol               | Min.     | Typ. | Max. | Unit |                    |
|--------------------|----------------------|----------|------|------|------|--------------------|
| Frame Rate         | -                    | -        | 60   | -    | Hz   |                    |
| Clock frequency    | $1/T_{\text{Clock}}$ | -        | 71.3 | -    | MHz  |                    |
| Vertical Section   | Period               | $T_V$    | 808  | 823  | 1023 | $T_{\text{Line}}$  |
|                    | Active               | $T_{VD}$ | 800  | 800  | 800  |                    |
|                    | Blanking             | $T_{VB}$ | 8    | 23   | 223  |                    |
| Horizontal Section | Period               | $T_H$    | 1310 | 1438 | 2047 | $T_{\text{Clock}}$ |
|                    | Active               | $T_{HD}$ | 1280 | 1280 | 1280 |                    |
|                    | Blanking             | $T_{HB}$ | 30   | 158  | 767  |                    |

Note : DE mode only

## 6.4.2 Timing diagram





## 7. Connector Description

Physical interface is described as for the connector on module.

These connectors are capable of accommodating the following signals and will be following components.

### 7.1 TFT LCD Module

| <b>Connector Name / Designation</b> | <b>For Signal Connector</b>      |
|-------------------------------------|----------------------------------|
| Manufacturer                        | JAE or compatible                |
| Type / Part Number                  | JAE FI-XB30SL-HF10 or compatible |
| Mating Housing/Part Number          | JAE FI-X30H or compatible        |





## 8. LED Driving Specification

### 8.1 Connector Description

| Connector Name / Designation | For Signal Connector                 |
|------------------------------|--------------------------------------|
| Manufacturer                 | HRS or compatible                    |
| Type / Part Number           | HRS FH33-12S-0.5SH(05) or compatible |
| Mating Housing/Part Number   | compatible                           |

### 8.2 Pin Assignment

| PIN# | Signal Name Description                         |
|------|---|
| 1    | LCD channel 1 cathode                           |
| 2    | LCD channel 2 cathode                           |
| 3    | LCD channel 3 cathode                           |
| 4    | LCD channel 4 cathode                           |
| 5    | LCD channel 5 cathode                           |
| 6    | LCD channel 6 cathode ( May be NC if channel<6) |
| 7    | LCD channel 7 cathode ( May be NC if channel<7) |
| 8    | LCD channel 8 cathode ( May be NC if channel<8) |
| 9    | NC  |
| 10   | LED power bus ( LED Anode)                      |
| 11   | LED power bus ( LED Anode)                      |
| 12   | LED power bus ( LED Anode)                      |

## 9. Vibration and Shock Test

### 9.1 Vibration Test

**Test Spec:**

- Test method: Non-Operation
- Acceleration: 1.5 G , Half sine pulse
- Frequency: 10 - 500Hz Sine wave
- Sweep: 30 Minutes each Axis (X, Y, Z)

### 9.2 Shock Test Spec:

**Test Spec:**

- Test method: Non-Operation
- Acceleration: 240 G , Half sine pulse
- Active time: 2 ms
- Pulse: X,Y,Z .one time for each side



## 10. Reliability

| Items                      | Required Condition                               | Note   |
|----------------------------|--|--------|
| Temperature Humidity Bias  | Ta= 40°C, 90%RH, 300h                            |        |
| High Temperature Operation | Ta= 50°C, Dry, 300h                              |        |
| Low Temperature Operation  | Ta= 0°C, 300h                                    |        |
| High Temperature Storage   | Ta= 60°C, 300h                                   |        |
| Low Temperature Storage    | Ta= -20°C, 300h                                  |        |
| Thermal Shock Test         | Ta=-20°C to 60°C, Duration at 30 min, 100 cycles |        |
| ESD                        | Contact : ±8 KV<br>Air : ±15 KV                  | Note 1 |

**Note1:** According to EN 61000-4-2 , ESD class B: Some performance degradation allowed. No data lost  
. Self-recoverable. No hardware failures.

**Remark:** MTBF (Excluding the LED): 30,000 hours with a confidence level 90%

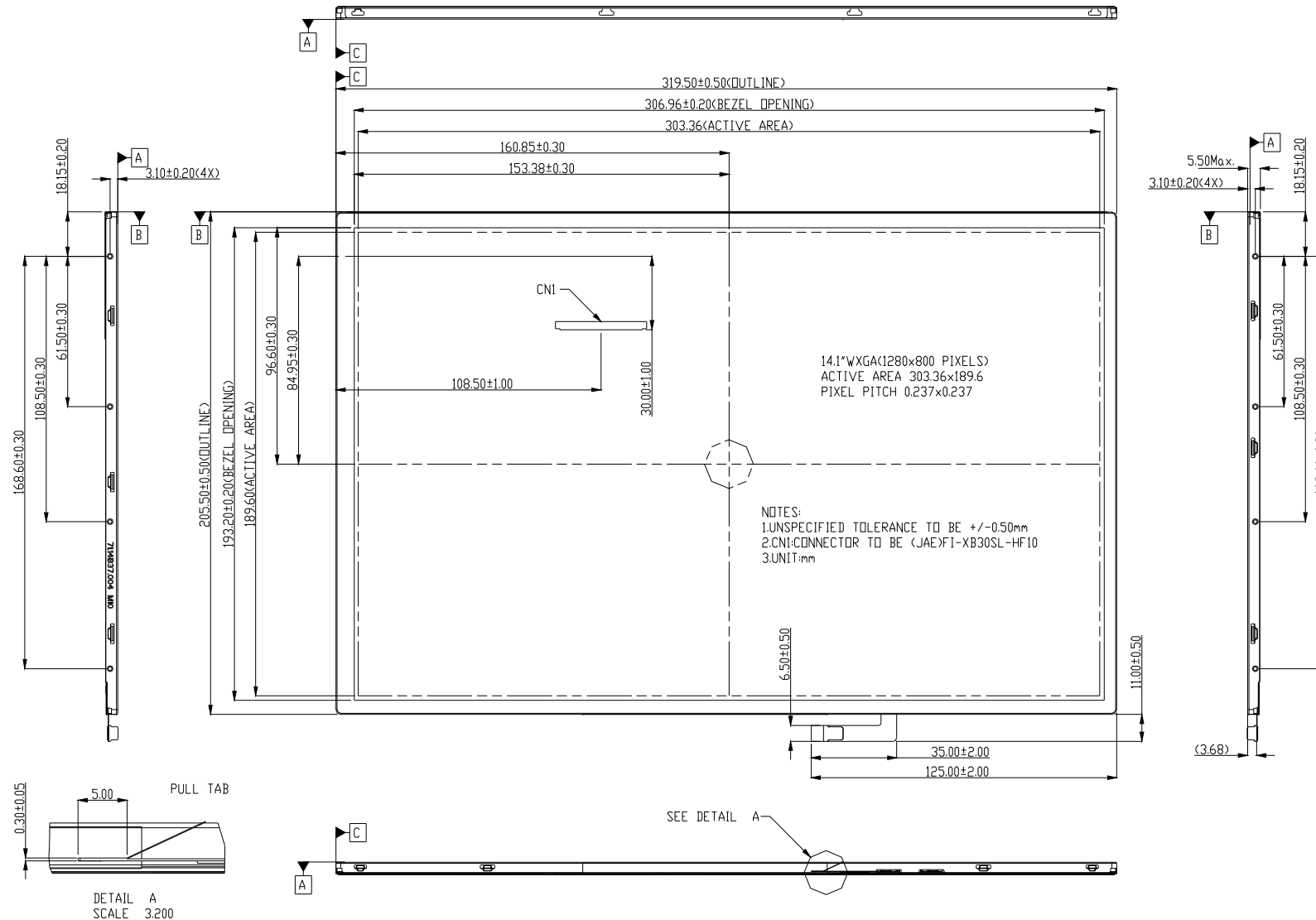


# Product Specification

AU OPTRONICS CORPORATION

## 11. Mechanical Characteristics

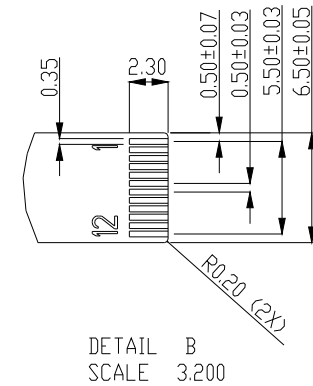
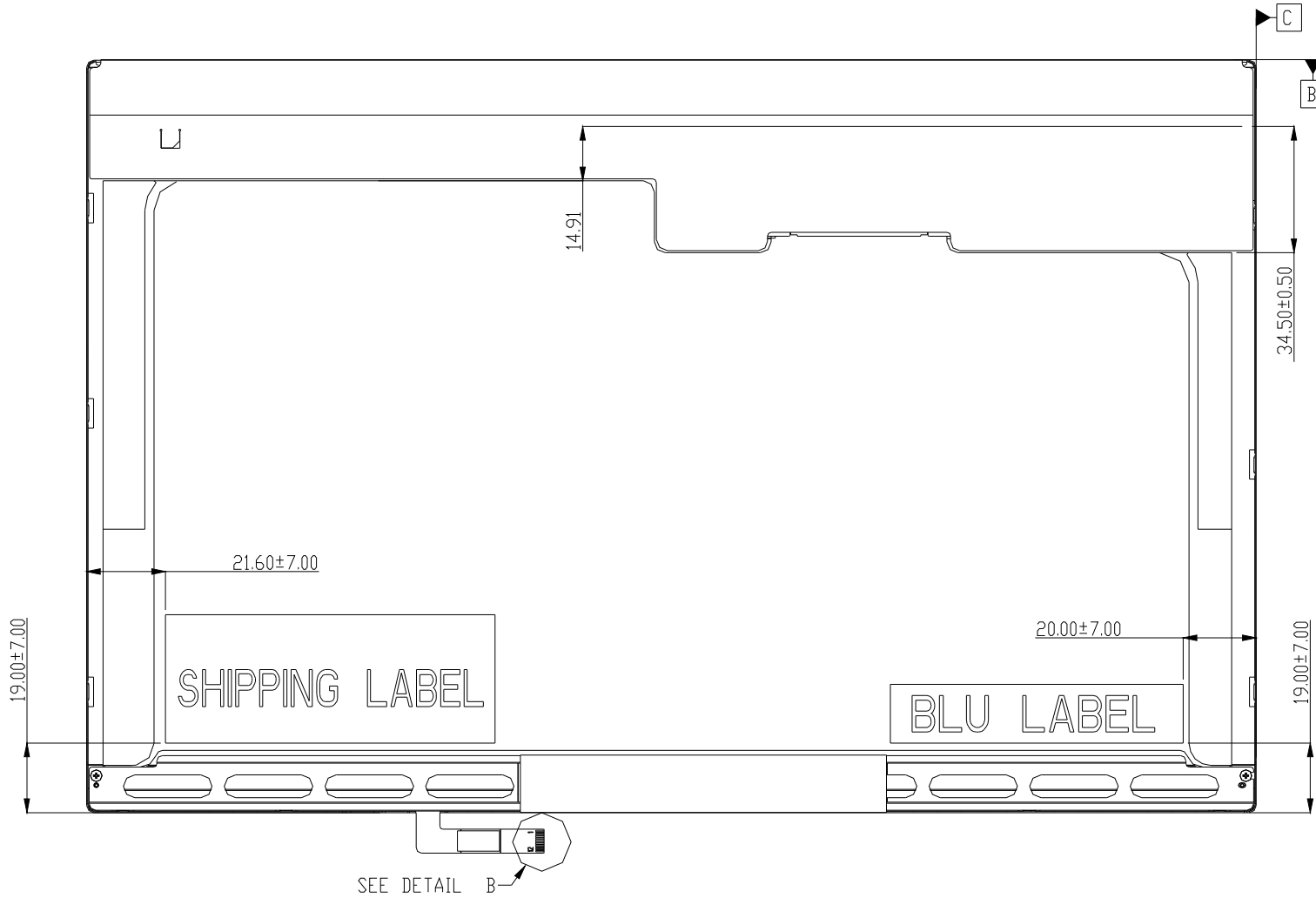
### 11.1 LCM Outline Dimension





# Product Specification

AU OPTRONICS CORPORATION

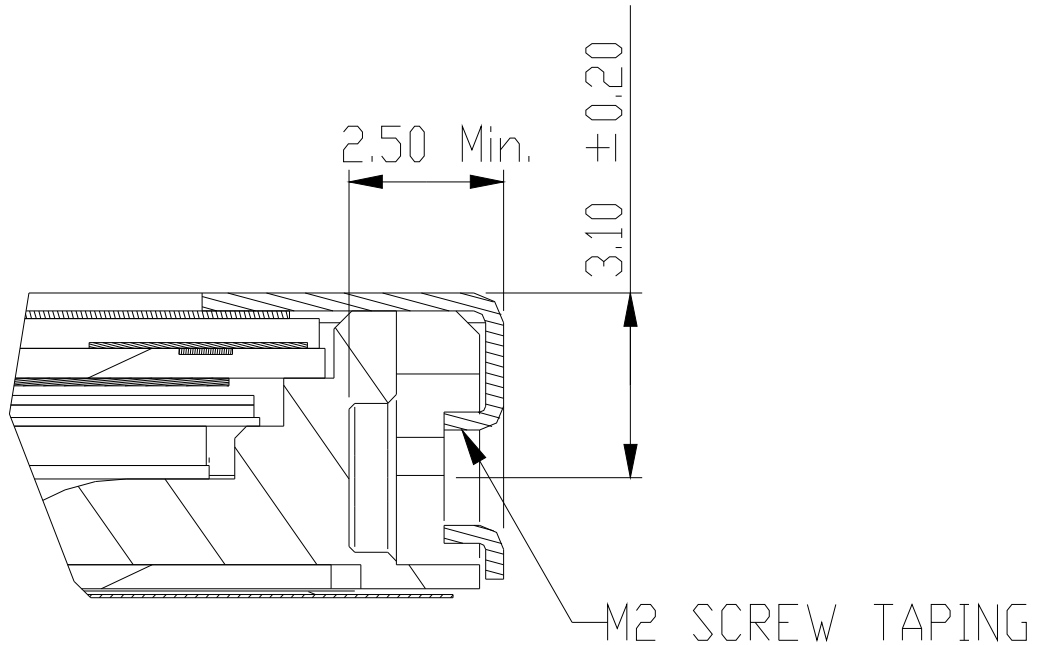


## 11.2 Screw Hole Depth and Center Position

Screw hole minimum depth, from side surface = 2.5 mm (See drawing)

Screw hole center location, from front surface =  $3.1 \pm 0.2$ mm (See drawing)

Screw Torque: Maximum 2.5 kgf-cm





# Product Specification

AU OPTRONICS CORPORATION

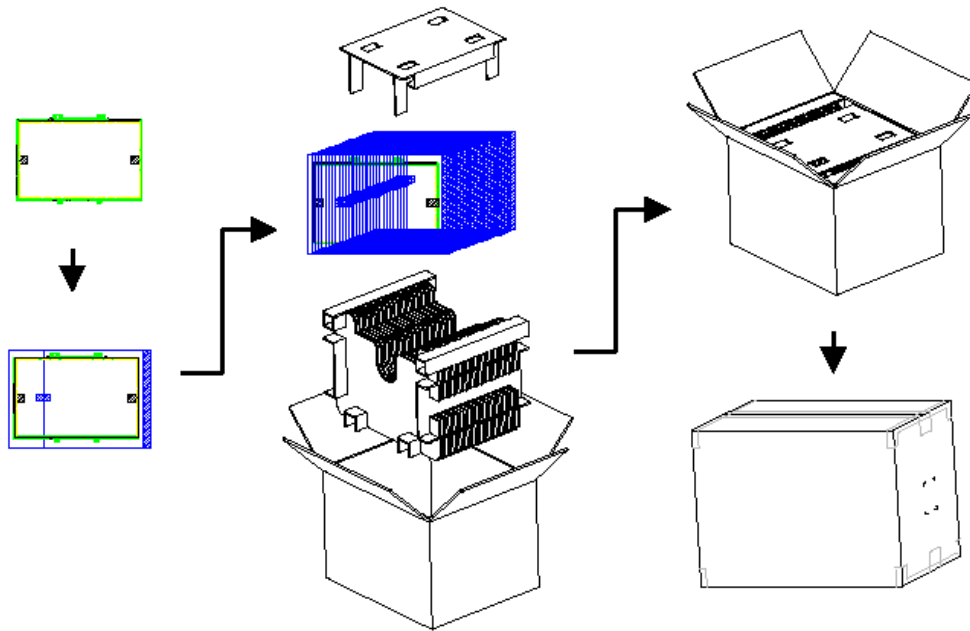
## 12. Shipping and Package

### 12.1 Shipping Label Format

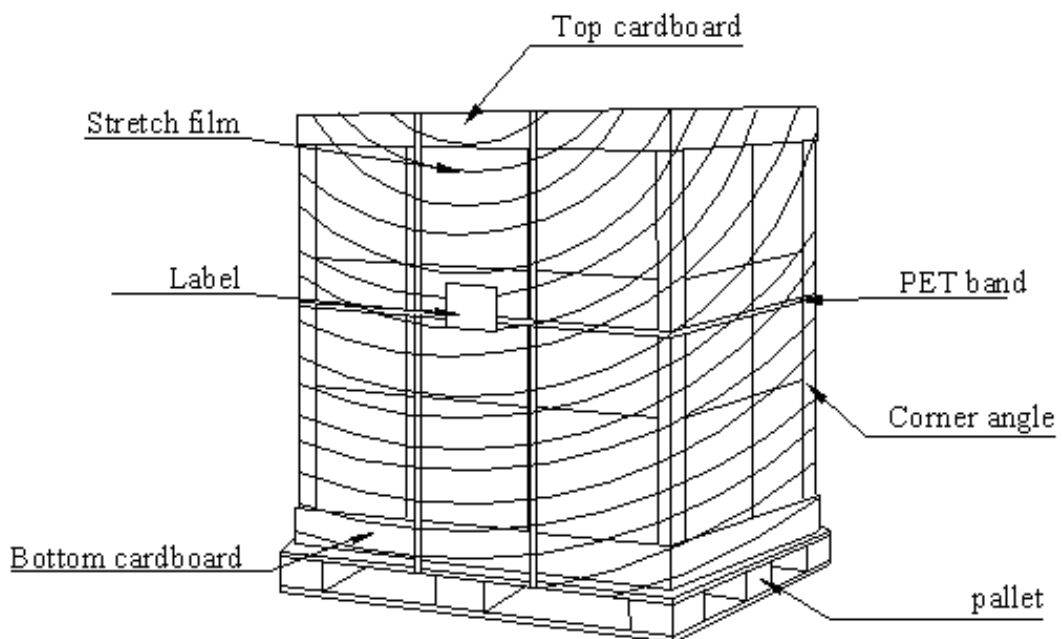
|   |   |   |   |   |
|---|---|---|---|---|
|  | Manufactured 0938<br>Model No: B141EW05<br>AU Optronics<br>MADE IN CHINA (S1) | V.3<br>1AXXG  | c AU JS<br>XXXXXXXX   |  |
| *XXXXXXXXXXXX-XXXXXX  | H/W: 1A F/W:1   |  |  |   |

## 12.2 Carton package

The outside dimension of carton is 455 (L)mm x 380 (W)mm x 355 (H)mm



## 11.3 Shipping package of palletizing sequence







# Product Specification

AU OPTRONICS CORPORATION

## 13. Appendix: EDID description

| Address | FUNCTION  | Value | Value    | Value | Note |
|---------|---|-------|----------|-------|------|
| HEX     |   | HEX   | BIN      | DEC   |      |
| 00      | Header  | 00    | 00000000 | 0     |      |
| 01      |   | FF    | 11111111 | 255   |      |
| 02      |   | FF    | 11111111 | 255   |      |
| 03      |   | FF    | 11111111 | 255   |      |
| 04      |   | FF    | 11111111 | 255   |      |
| 05      |   | FF    | 11111111 | 255   |      |
| 06      |   | FF    | 11111111 | 255   |      |
| 07      |   | 00    | 00000000 | 0     |      |
| 08      | EISA Manuf. Code LSB  | 06    | 00000110 | 6     |      |
| 09      | Compressed ASCII  | AF    | 10101111 | 175   |      |
| 0A      | Product Code  | 44    | 01000100 | 68    |      |
| 0B      | hex, LSB first  | 53    | 01010011 | 83    |      |
| 0C      | 32-bit ser #  | 00    | 00000000 | 0     |      |
| 0D      |   | 00    | 00000000 | 0     |      |
| 0E      |   | 00    | 00000000 | 0     |      |
| 0F      |   | 00    | 00000000 | 0     |      |
| 10      | Week of manufacture   | 01    | 00000001 | 1     |      |
| 11      | Year of manufacture   | 12    | 00010010 | 18    |      |
| 12      | EDID Structure Ver.   | 01    | 00000001 | 1     |      |
| 13      | EDID revision #   | 03    | 00000011 | 3     |      |
| 14      | <b>Video input def.</b> ( <i>digital I/P, non-TMDS, CRGB</i> )        | 80    | 10000000 | 128   |      |
| 15      | <b>Max H image size</b> ( <i>rounded to cm</i> )                      | 1E    | 00011110 | 30    |      |
| 16      | <b>Max V image size</b> ( <i>rounded to cm</i> )                      | 13    | 00010011 | 19    |      |
| 17      | <b>Display Gamma</b> ( <i>=(gamma*100)-100</i> )                      | 78    | 01111000 | 120   |      |
| 18      | <b>Feature support</b> ( <i>no DPMS, Active OFF, RGB, tmg Blk#1</i> ) | 0A    | 00001010 | 10    |      |
| 19      | Red/green low bits ( <b>Lower 2:2:2 bits</b> )                        | 26    | 00100110 | 38    |      |
| 1A      | Blue/white low bits ( <b>Lower 2:2:2 bits</b> )                       | 75    | 01110101 | 117   |      |
| 1B      | Red x ( <b>Upper 8 bits</b> )   | 96    | 10010110 | 150   |      |
| 1C      | Red y/ highER 8 bits  | 58    | 01011000 | 88    |      |
| 1D      | Green x   | 57    | 01010111 | 87    |      |
| 1E      | Green y   | 93    | 10010011 | 147   |      |
| 1F      | Blue x  | 28    | 00101000 | 40    |      |
| 20      | Blue y  | 1E    | 00011110 | 30    |      |
| 21      | White x   | 50    | 01010000 | 80    |      |
| 22      | White y   | 54    | 01010100 | 84    |      |
| 23      | Established timing 1  | 00    | 00000000 | 0     |      |
| 24      | Established timing 2  | 00    | 00000000 | 0     |      |
| 25      | Established timing 3  | 00    | 00000000 | 0     |      |
| 26      | Standard timing #1  | 01    | 00000001 | 1     |      |
| 27      |   | 01    | 00000001 | 1     |      |
| 28      | Standard timing #2  | 01    | 00000001 | 1     |      |
| 29      |   | 01    | 00000001 | 1     |      |
| 2A      | Standard timing #3  | 01    | 00000001 | 1     |      |
| 2B      |   | 01    | 00000001 | 1     |      |
| 2C      | Standard timing #4  | 01    | 00000001 | 1     |      |
| 2D      |   | 01    | 00000001 | 1     |      |
| 2E      | Standard timing #5  | 01    | 00000001 | 1     |      |
| 2F      |   | 01    | 00000001 | 1     |      |
| 30      | Standard timing #6  | 01    | 00000001 | 1     |      |
| 31      |   | 01    | 00000001 | 1     |      |
| 32      | Standard timing #7  | 01    | 00000001 | 1     |      |
| 33      |   | 01    | 00000001 | 1     |      |
| 34      | Standard timing #8  | 01    | 00000001 | 1     |      |



# Product Specification

AU OPTRONICS CORPORATION

|    |   |    |          |     |   |
|----|---|----|----------|-----|---|
| 35 |   | 01 | 00000001 | 1   |   |
| 36 | Pixel Clock/10000 LSB   | C6 | 11000110 | 198 |   |
| 37 | Pixel Clock/10000 USB   | 1B | 00011011 | 27  |   |
| 38 | Horz active <b>Lower 8bits</b>                                | 00 | 00000000 | 0   |   |
| 39 | Horz blanking <b>Lower 8bits</b>                              | 9E | 10011110 | 158 |   |
| 3A | HorzAct:HorzBlnk <b>Upper 4:4 bits</b>                        | 50 | 01010000 | 80  |   |
| 3B | Vertical Active <b>Lower 8bits</b>                            | 20 | 00100000 | 32  |   |
| 3C | Vertical Blanking <b>Lower 8bits</b>                          | 17 | 00010111 | 23  |   |
| 3D | Vert Act : Vertical Blanking ( <b>upper 4:4 bit</b> )         | 30 | 00110000 | 48  |   |
| 3E | HorzSync. Offset  | 30 | 00110000 | 48  |   |
| 3F | HorzSync.Width  | 20 | 00100000 | 32  |   |
| 40 | VertSync.Offset : VertSync.Width                              | 36 | 00110110 | 54  |   |
| 41 | Horz&Vert Sync Offset/Width <b>Upper 2bits</b>                | 00 | 00000000 | 0   |   |
| 42 | Horizontal Image Size <b>Lower 8bits</b>                      | 2F | 00101111 | 47  |   |
| 43 | Vertical Image Size <b>Lower 8bits</b>                        | BD | 10111101 | 189 |   |
| 44 | Horizontal & Vertical Image Size ( <b>upper 4:4 bits</b> )    | 10 | 00010000 | 16  |   |
| 45 | Horizontal Border ( <i>zero for internal LCD</i> )            | 00 | 00000000 | 0   |   |
| 46 | Vertical Border ( <i>zero for internal LCD</i> )              | 00 | 00000000 | 0   |   |
| 47 | Signal ( <i>non-intr, norm, no stero, sep sync, neg pol</i> ) | 18 | 00011000 | 24  |   |
| 48 | Detailed timing/monitor                                       | 00 | 00000000 | 0   |   |
| 49 | descriptor #2   | 00 | 00000000 | 0   |   |
| 4A |   | 00 | 00000000 | 0   |   |
| 4B |   | 0F | 00001111 | 15  |   |
| 4C |   | 00 | 00000000 | 0   |   |
| 4D |   | 00 | 00000000 | 0   |   |
| 4E |   | 00 | 00000000 | 0   |   |
| 4F |   | 00 | 00000000 | 0   |   |
| 50 |   | 00 | 00000000 | 0   |   |
| 51 |   | 00 | 00000000 | 0   |   |
| 52 |   | 00 | 00000000 | 0   |   |
| 53 |   | 00 | 00000000 | 0   |   |
| 54 |   | 00 | 00000000 | 0   |   |
| 55 |   | 00 | 00000000 | 0   |   |
| 56 |   | 00 | 00000000 | 0   |   |
| 57 |   | 00 | 00000000 | 0   |   |
| 58 |   | 00 | 00000000 | 0   |   |
| 59 |   | 20 | 00100000 | 32  |   |
| 5A | Detailed timing/monitor                                       | 00 | 00000000 | 0   |   |
| 5B | descriptor #3   | 00 | 00000000 | 0   |   |
| 5C |   | 00 | 00000000 | 0   |   |
| 5D |   | FE | 11111110 | 254 |   |
| 5E |   | 00 | 00000000 | 0   |   |
| 5F | Manufacture   | 41 | 01000001 | 65  | A |
| 60 | Manufacture   | 55 | 01010101 | 85  | U |
| 61 | Manufacture   | 4F | 01001111 | 79  | O |
| 62 |   | 0A | 00001010 | 10  |   |
| 63 |   | 20 | 00100000 | 32  |   |
| 64 |   | 20 | 00100000 | 32  |   |
| 65 |   | 20 | 00100000 | 32  |   |
| 66 |   | 20 | 00100000 | 32  |   |
| 67 |   | 20 | 00100000 | 32  |   |
| 68 |   | 20 | 00100000 | 32  |   |
| 69 |   | 20 | 00100000 | 32  |   |
| 6A |   | 20 | 00100000 | 32  |   |
| 6B |   | 20 | 00100000 | 32  |   |
| 6C | Detailed timing/monitor                                       | 00 | 00000000 | 0   |   |
| 6D | descriptor #4   | 00 | 00000000 | 0   |   |
| 6E |   | 00 | 00000000 | 0   |   |
| 6F |   | FE | 11111110 | 254 |   |



# Product Specification

AU OPTRONICS CORPORATION

|    |                 |    |            |      |   |
|----|-----------------|----|------------|------|---|
| 70 |                 | 00 | 00000000   | 0    |   |
| 71 | Manufacture P/N | 42 | 01000010   | 66   | B |
| 72 | Manufacture P/N | 31 | 00110001   | 49   | 1 |
| 73 | Manufacture P/N | 34 | 00110100   | 52   | 4 |
| 74 | Manufacture P/N | 31 | 00110001   | 49   | 1 |
| 75 | Manufacture P/N | 45 | 01000101   | 69   | E |
| 76 | Manufacture P/N | 57 | 01010111   | 87   | W |
| 77 | Manufacture P/N | 30 | 00110000   | 48   | 0 |
| 78 | Manufacture P/N | 35 | 00110101   | 53   | 5 |
| 79 | Manufacture P/N | 20 | 00100000   | 32   |   |
| 7A | Manufacture P/N | 56 | 01010110   | 86   | V |
| 7B | Manufacture P/N | 33 | 00110011   | 51   | 3 |
| 7C |                 | 20 | 00100000   | 32   |   |
| 7D |                 | 0A | 00001010   | 10   |   |
| 7E | Extension Flag  | 00 | 00000000   | 0    |   |
| 7F | Checksum        | 4D | 01001101   | 77   |   |
|    |                 |    | SUM        | 5888 |   |
|    |                 |    | SUM to HEX | 1700 |   |