



# YT2462B

## SERVO MOTER MOTROL FOR RADIO CONTROL

### Description

The YT2462B is a semiconductor integrated circuit for servo control applications.

### Features

- Excellent power supply stability and temperature stability
- Simple setting of dead of band range
- Small outline (16pin TSSOP)

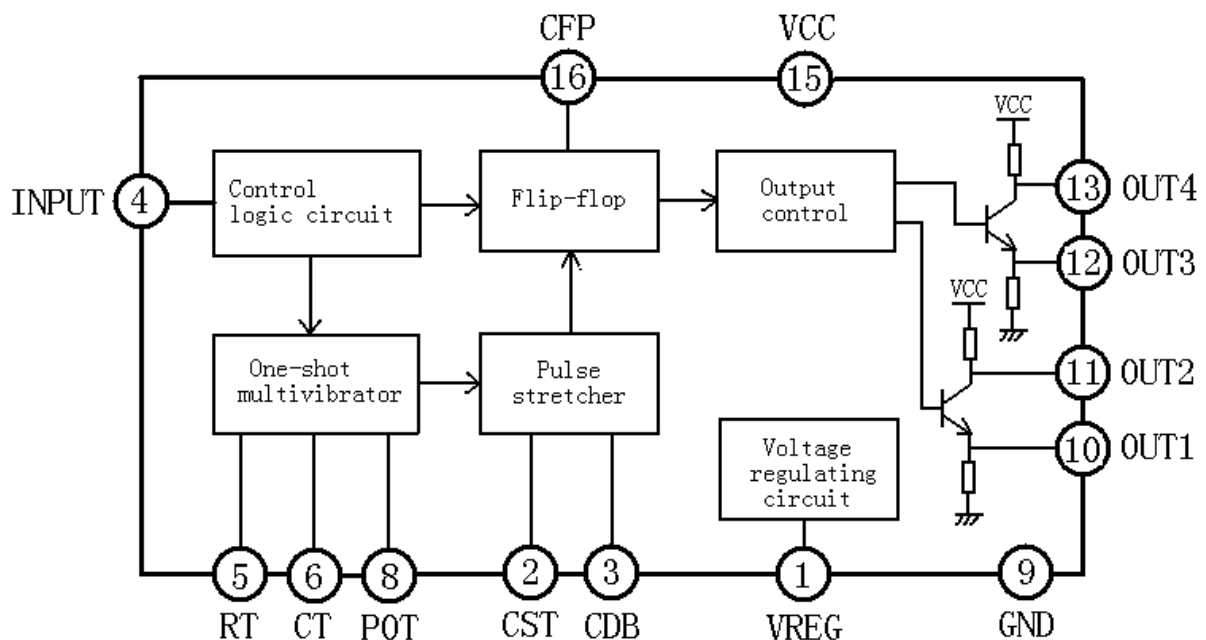
### Applications

- Digital proportional systems for radio control, servo motor control ,etc

### Recommended Operating Conditions

- Supply Voltage range : 3.5V to 7.5 V
- Operating temperature : -20 to 75°C
- Input rise time : 500 nS max.
- Input fall time : 500 nS max.

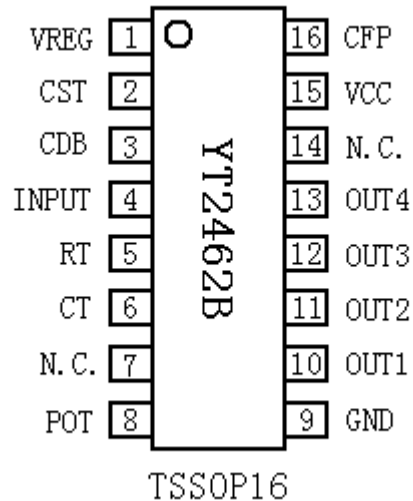
### Block Diagram





YT2462B

## Pin Arrangement



## Pin Description

Pin No.	Symbol	Function	Descriptions
1	VREG	Regulated voltage source	This is output of the internal regulated supply voltage. Make connections from this pin to pot-entiometer and pulse stretcher resistor.
2	CST	Stretcher pin	Connect the capacitor and resistor of the pulse stretcher section.
3	CDB	Dead band setting pin	Connect the capacitor and band can be changed according the value of this capacitor.
4	INPUT	Input pin	
5	RT	Constant setting pin	Connect a capacitor that will determine the constant current value of pin 6. Constant current will became 100 $\mu$ A at the time of the resistance of 18 k $\Omega$
6	CT	Local pulse setting pin	Connect a capacitor that will adjust a triangular wave made by charging of constant current.
7	N.C.	No connection	
8	POT	Servo position voltage input pin	Connect to the potentiometer for the position detection connected with the output axis.
9	GND	Grounding pin	Grounding
10	OUT1	Output 1	Connect to the base of the external NPN transistor
11	OUT2	Output 2	Connect to the base of the external PNP transistor
12	OUT3	Output 3	Connect to the base of the external NPN transistor
13	OUT4	Output 4	Connect to the base of the external PNP transistor
14	N.C.	No connection	
15	VCC	Supply voltage	Connect a capacitor of more than 10 $\mu$ F.
16	CFP	Fixed driving pulse setting pin	Connect a capacitor that will determine the fixed driving pulse width.

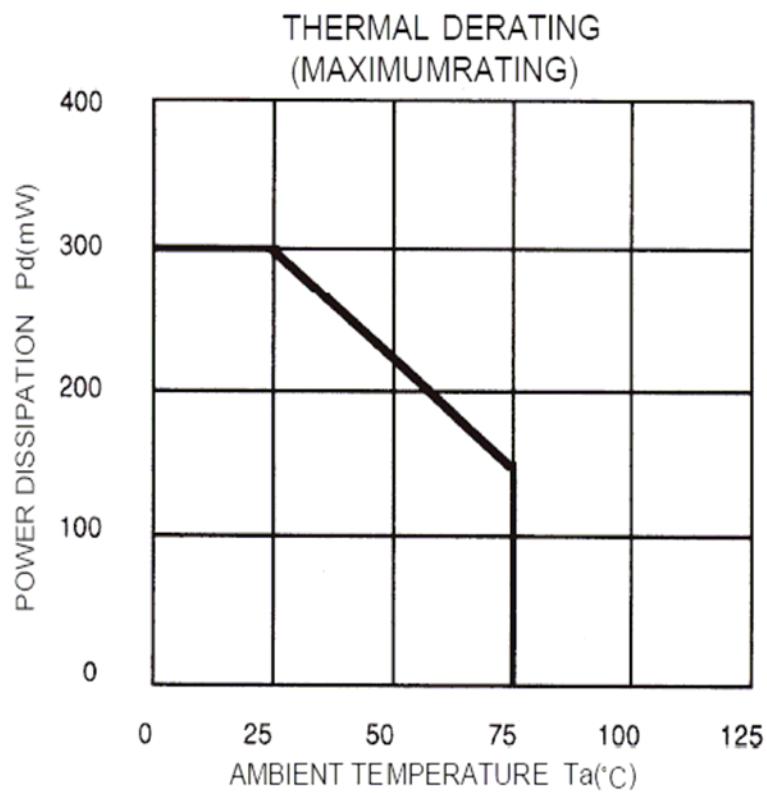


YT2462B

### Absolute Maximum Ratings

(VCC = 5V, Ta = 25°C, unless otherwise noted)

Symbol	Parameter	Test conditions	Ratings	Unit
VCC	Supply voltage		9.0	V
IO	Output current	OUT1 to OUT4	40	mA
PD	Power dissipation		300	mW
Kθ	Thermal derating range	Ta ≥ 25°C	-3.0	mW/°C
Tstg	Storage temperature		-40 to 125	°C





YT2462B

### Electrical Characteristics

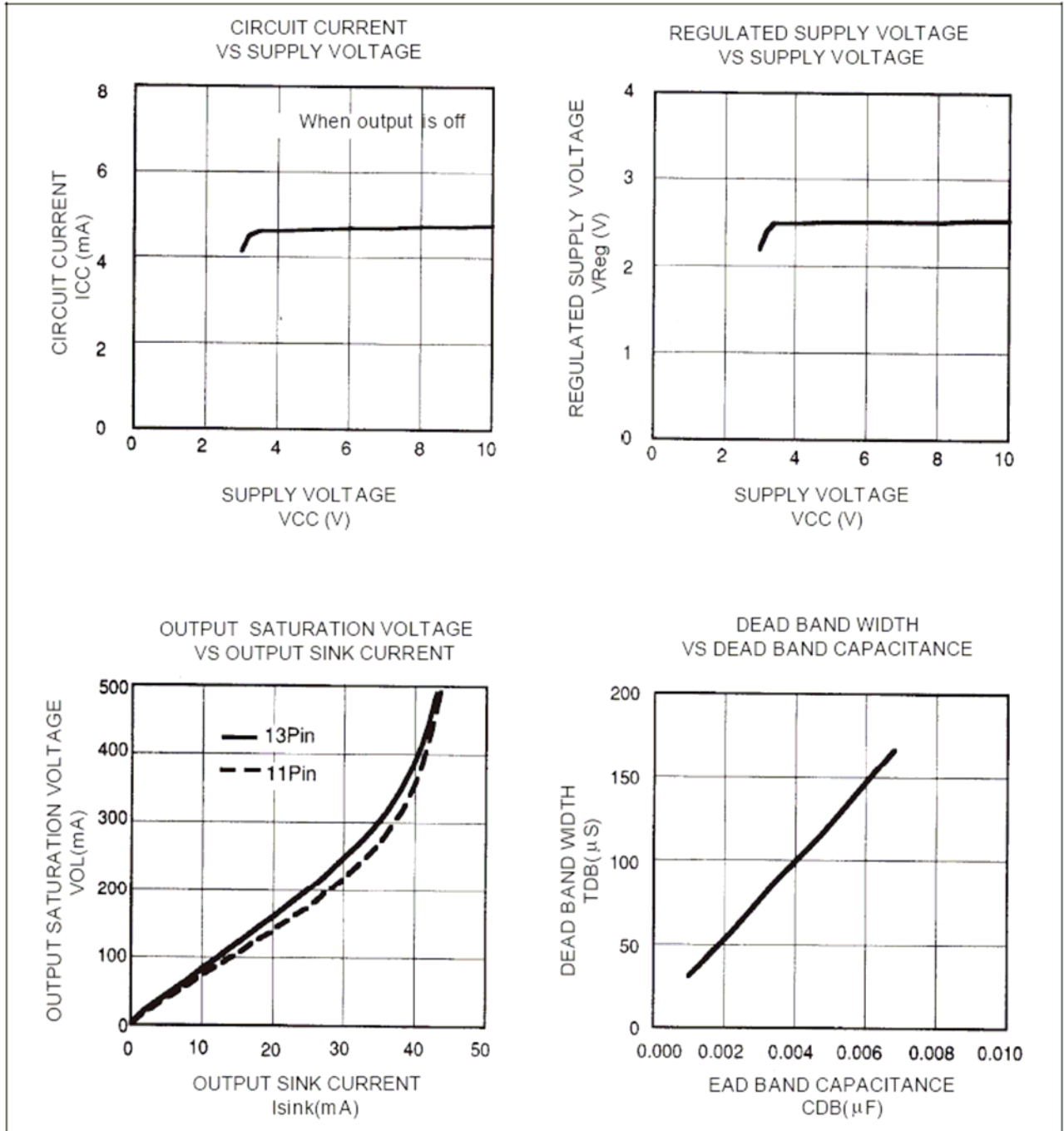
(VCC = 5.0 V, Ta = 25°C)

Symbol	Parameter	Test conditions	Limits			Unit
			Min	Typ	Max	
VCC	Supply voltage		2.8	5.0	7.5	V
ICC1	Circuit Current 1	Output off	—	5.0	10.0	mA
ICC2	Circuit Current 2	Output on	—	6.0	11.0	mA
Vreg	Regulated voltage	No load	2.35	2.5	2.65	V
dVreg	Regulated voltage precision	VCC = 3.5 to 6.5 V	—	0.2	—	%/V
Iref	Reference current	RT = 18 kΩ, Pin 5 current value	90	100	110	μA
Vih	High input voltage	Pin4	2.0	—	Vcc	V
WL	Standard local pulse width	RT = 18 kΩ, CT = 0.1 μF	1.4	1.5	1.6	ms
dWL	Supply voltage dependence of the local pulse width	VCC = 3.5 to 6.5 V VCC = 2.5 to 7.5 V	—	—	2.0 15.0	μs/V
Wdb1	Minimum dead bandwidth	CFP = 0.01μF Not connect CDB	—	—	1.0	μs
Wdb2	Standard driving band width	Not connect CFP and CDB	—	2.5	6.0	μs
AST	Stretcher gain	RT = 18 kΩ RST = 120 kΩ CST = 0.1 μF	—	100	—	times
WKP	Fixed driving pulse width	CFP = 0.01μF Not connect CDB	0.7	1.0	1.3	ms
WCP	Standard driving pulse width	Not connect CFP and CDB	0.3	0.5	0.8	ms
Wout	Output pulse width	CST = 0.1 μF RST = 120 kΩ Pulse width 100μs (3pin)	8.0	10.0	12.0	ms
Vosat	Output pin saturation voltage	ISINK = 20 mA	—	0.2	0.4	V



YT2462B

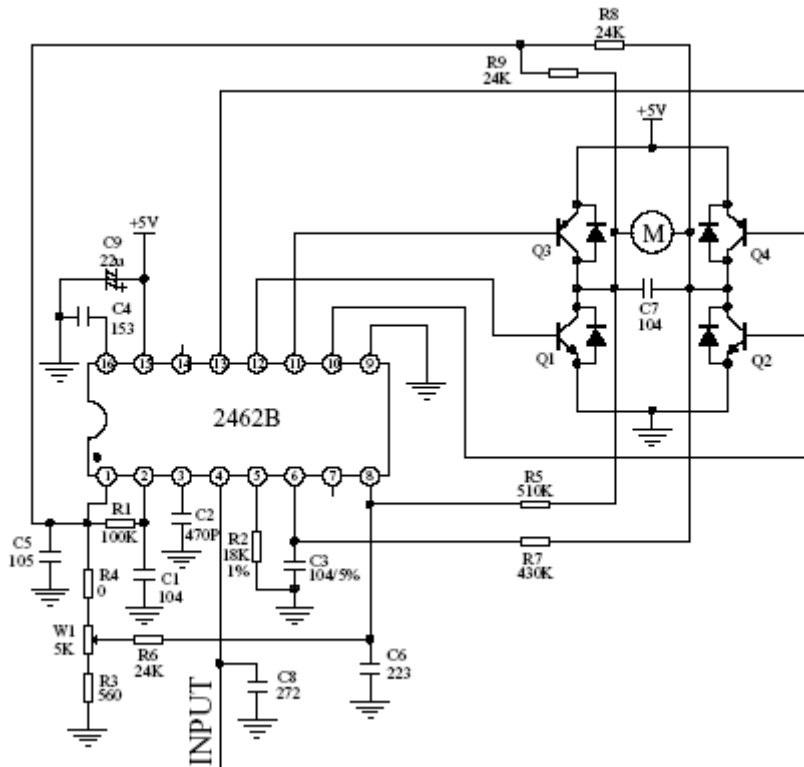
Typical Characteristics





YT2462B

## Application Examples



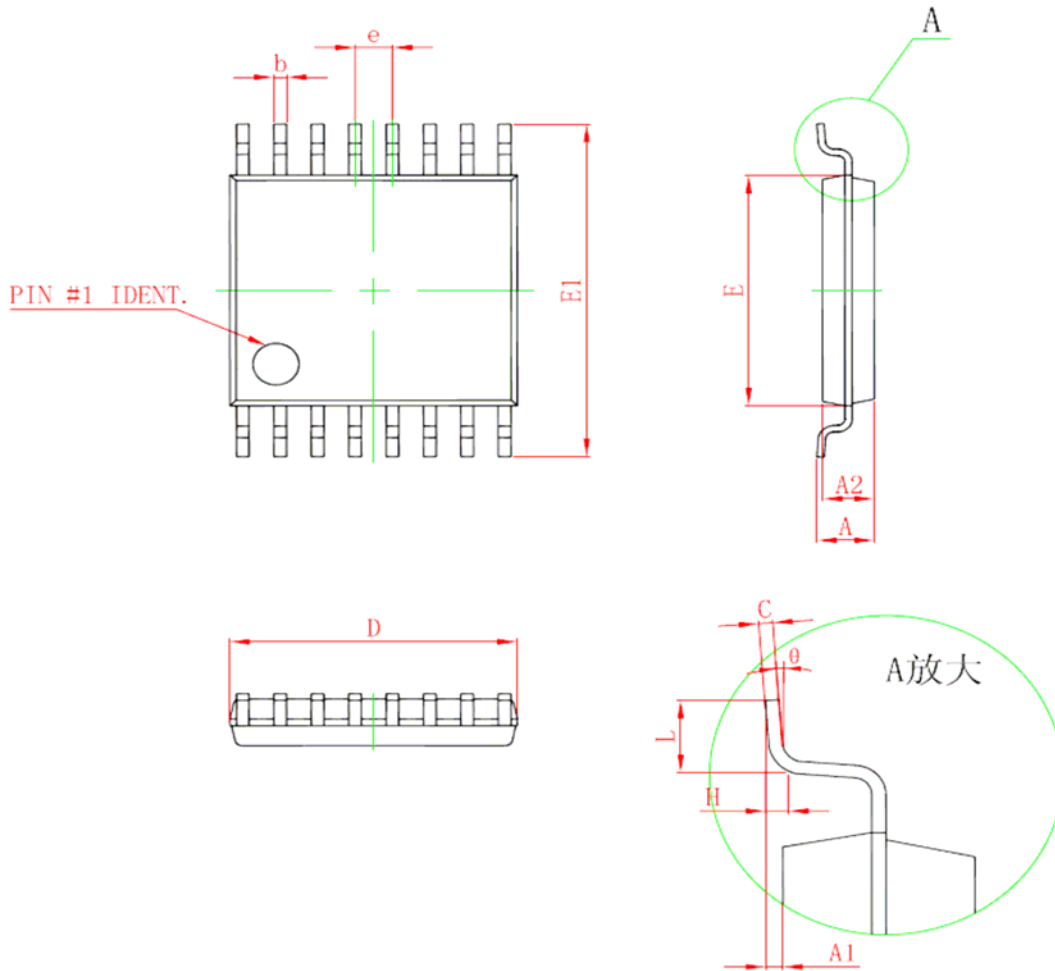
This is reference design for typical application.

The values of components need to be changed in various application.



YT2462B

TSSOP16 PACKAGE OUTLINE DIMENSIONS



Symbol	Dimensions In Millimeters		Dimensions In Inches	
	Min	Max	Min	Max
D	4.900	5.100	0.193	0.201
E	4.300	4.500	0.169	0.177
b	0.190	0.300	0.007	0.012
C	0.090	0.200	0.004	0.008
E1	6.200	6.600	0.224	0.260
A	1.1 MAX TYP		0.043 MAX TYP	
A2	0.850	0.950	0.033	0.037
A1	0.050	0.150	0.002	0.006
e	0.65 TYP		0.026 TYP	
L	0.500	0.700	0.020	0.028
H	0.250		0.010	
theta	1°	7°	1°	7°