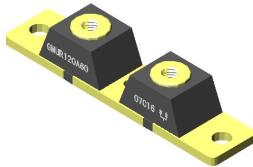


## Ultrafast Recovery Modules

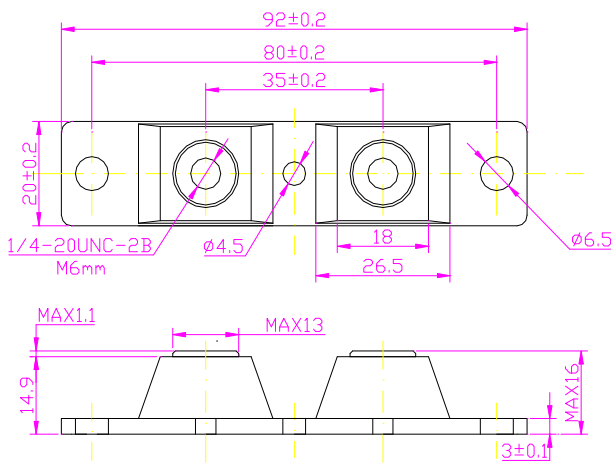
Reverse Voltage 800V  
Forward Current 120A



Case Style: Twin Tower

### Features

- Plastic package has Underwriters Laboratory Flammability Classification 94V-0
- Glass passivated chip junction
- Transfer molding



Dimensions in millimeters

### Mechanical Data

- Case:** Twin Tower Molded plastic body
- Terminals:** Ni plated leads and base

### Typical Applications

General purpose use in ac-to-dc rectification for Power Supply, Electric Welding, industrial automation applications

### Maximum Ratings & Electrical Characteristics

Ratings at 25 °C ambient temperature unless otherwise specified.

Parameter	Symbol	MTT120A80CU	Unit
Maximum repetitive peak reverse voltage	$V_{RRM}$	800	V
Maximum average forward rectified (TC=114 °C)	$I_{F(AV)}$	2x60	A
Peak forward surge current single sine-wave superimposed on rated load (JEDEC Method) 1 cycle, 60Hz, peak, value, non-repetitive	$I_{FSM}$	600	A
Maximum instantaneous forward voltage drop per leg at 60A	$V_F$	1.35	V
Maximum DC reverse current at $T_a=25$ °C	$I_R$	30	$\mu A$
rated DC blocking voltage per leg (800v) $T_a=125$ °C		2000	
Reverse Recovery time (1/2A, 1A, 1/4A, $T_J=25$ °C)	$T_{rr}$	80	ns
Max thermal resistance per leg	$R_{\theta jc}$	0.85	/W
Operating junction temperature range	$T_J$	-55 to +175	
Storage temperature range	$T_{STG}$	-55 to +175	