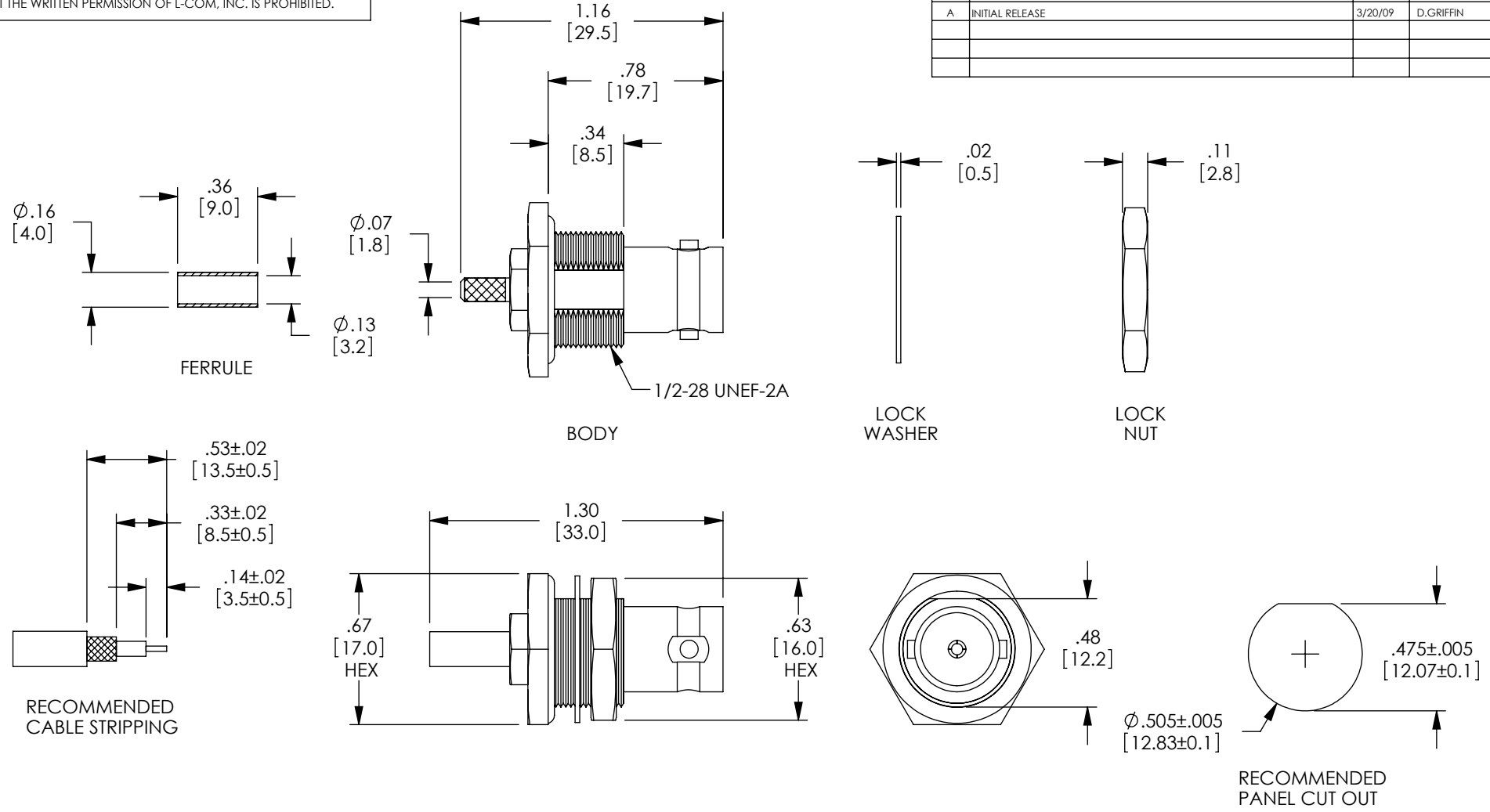


THE INFORMATION CONTAINED IN THIS DRAWING IS THE SOLE PROPERTY OF L-COM, INC. ANY REPRODUCTION IN PART OR WHOLE WITHOUT THE WRITTEN PERMISSION OF L-COM, INC. IS PROHIBITED.

REVISIONS			
REV	DESCRIPTION	DATE	APPROVED
A	INITIAL RELEASE	3/20/09	D.GRIFFIN



RoHS Compliant ✓

NOTES:
 IMPEDANCE: 50 OHM
 APPLICATION: RG174/U
 RECOMMENDED HEX CRIMP TOOL SIZE: .133 IN [3.38mm]
 ALL DIMENSIONS ARE FOR REFERENCE ONLY.
 COMPONENT SHALL BE INDIVIDUALLY PACKAGED IN A POLY BAG.

UNLESS OTHERWISE SPECIFIED, DIMENSIONS ARE IN INCHES [mm] OVERALL CABLE LENGTH TOLERANCE: ≤ 12 [305] = +1 [25] / -0 >12 [305] ≤ 60 [1524] = +2 [51] / -0 >60 [1524] ≤ 120 [3048] = +4 [102] / -0 >120 [3048] ≤ 300 [7620] = +6 [152] / -0 >300 [7620] = +5% / -0% ALL OTHER DIMENSIONAL TOLERANCES: .X = $\pm .3$.XX = $\pm .15$	APPROVALS DRAWN BY D.FRISIELLO CHECKED BY D.CASTRO APPROVED BY D.DOLCE	DATE 3/18/09 3/18/09 3/18/09	45 BEECHWOOD DRIVE NORTH ANDOVER, MA 01845			
	CATEGORY COAXIAL			PRODUCT DESCRIPTION BNC, FEMALE, BULKHEAD, RG174		
	CONFIGURATION DETAILS OF UNDIMENSIONED FEATURES MAY VARY	COLOR VARIATIONS MAY OCCUR	SIZE A		FSCM NO. 43321	DWG. NO. BAC540
	PROJECTION 	SCALE: NONE		CAD FILE: BAC540.SLDDRW	SHEET 1 OF 1	