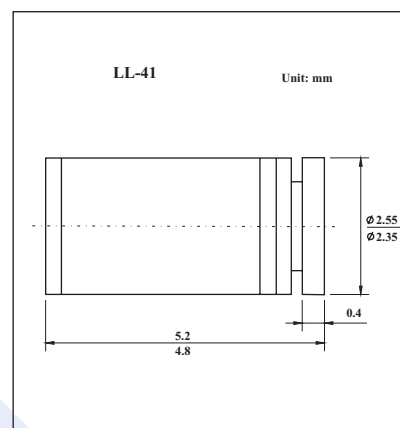


## Silicon Rectifiers

### KLL4001-KLL4007

#### ■ Features

- Nominal current 1A
- Repetitive peak reverse voltage 50V to 1000V



#### ■ Absolute Maximum Ratings $T_a = 25^\circ\text{C}$

Parameter	Symbol	Rating	Unit
Repetitive Peak Reverse Voltage	KLL4001	50	V
	KLL4002	100	
	KLL4003	200	
	KLL4004	400	
	KLL4005	600	
	KLL4006	800	
	KLL4007	1000	
Nominal Current with Resistive Load $T_{amb}=25^\circ\text{C}$	$I_{FAV}$	1	A
Surge Forward Current, 8.3ms Superimposed	$I_{FSM}$	30	A
Ambient Operating Temperature Range	$T_{amb}$	-65 to 175	$^\circ\text{C}$
Storage Temperature Range	$T_s$	-65 to 175	$^\circ\text{C}$

#### ■ Electrical Characteristics $T_a = 25^\circ\text{C}$

Parameter	Symbol	Testconditons	Min	Typ	Max	Unit
Forward voltage	$V_F$	$I_F=1\text{A}, T_j=25^\circ\text{C}$			1.1	V
Leakage Current	$I_R$	at $V_{RRM}, T_j=25^\circ\text{C}$			5	$\mu\text{A}$