

http://www.xiaoyu163.com

HCD-HDX275/HDX277WC/HDX279W/ HDX475/HDX576WF/HDX675

SERVICE MANUAL

Self Diagnosis
Supported model

Ver. 1.1 2008.05



Photo: HCD-HDX275

US Model
HCD-HDX275/HDX277WC/
HDX279W/HDX576WF

Canadian Model
HCD-HDX475/HDX576WF/HDX675

E Model

Australian Model
HCD-HDX275

- HCD-HDX275 is the amplifier section, super audio CD/DVD system, tuner section and video section in DAV-HDX275.
- HCD-HDX277WC is the amplifier section, super audio CD/DVD system, tuner section and video section in DAV-HDX277WC.
- HCD-HDX279W is the amplifier section, super audio CD/DVD system, tuner section and video section in DAV-HDX279W.
- HCD-HDX475 is the amplifier section, super audio CD/DVD system, tuner section and video section in DAV-HDX475.
- HCD-HDX576WF is the amplifier section, super audio CD/DVD system, tuner section and video section in DAV-HDX576WF.
- HCD-HDX675 is the amplifier section, super audio CD/DVD system, tuner section and video section in DAV-HDX675.

This product incorporates copyright protection technology that is protected by U.S. patents and other intellectual property rights. Use of this copyright protection technology must be authorized by Macrovision, and is intended for home and other limited viewing uses only unless otherwise authorized by Macrovision. Reverse engineering or disassembly is prohibited.

This system incorporates with Dolby® Digital and Dolby Pro Logic (II) adaptive matrix surround decoder and the DTS** Digital Surround System.

- * Manufactured under license from Dolby Laboratories. "Dolby", "Pro Logic", and the double-D symbol are trademarks of Dolby Laboratories.
- ** Manufactured under license from DTS, Inc. "DTS" and "DTS Digital Surround" are registered trademarks of DTS, Inc.

This system incorporates High-Definition Multimedia Interface (HDMI) technology. HDMI, the HDMI logo and High-Definition Multimedia Interface are trademarks or registered trademarks of HDMI Licensing LLC.

"BRAVIA" and BRAVIA are trademarks of Sony Corporation.

"S-AIR" and its logo are trademarks of Sony Corporation.

Model Name Using Similar Mechanism	HCD-HDX265
DVD Mechanism Type	CDM81C-DVBU101
Optical Pick-up Block Name	KHM-310CAB or KHM-313CAB

SPECIFICATIONS

AUDIO POWER SPECIFICATIONS for the US model

POWER OUTPUT AND TOTAL HARMONIC DISTORTION:

With 3 ohms loads, both channels driven, from 180 - 20,000 Hz; rated 84 watts per channel minimum RMS power, with no more than 0.7% total harmonic distortion from 250 milli watts to rated output.

Amplifier Section (EXCEPT HCD-HDX279W/HDX576WF)

Surround mode (reference) RMS output power
FL/FR/C/SL/SR*: 143 watts (per channel at 3 ohms, 1 kHz, 10% THD)
Subwoofer*: 285 watts (at 1.5 ohms, 80 Hz, 10% THD)

Amplifier Section (HCD-HDX279W/HDX576WF)

Surround mode (reference) RMS output power
FL/FR/C*: 143 watts (per channel at 3 ohms, 1 kHz, 10% THD)
Subwoofer*: 285 watts (at 1.5 ohms, 80 Hz, 10% THD)

- * Depending on the decoding mode settings and the source, there may be no sound output.

Inputs (Analog)
TV/VIDEO (AUDIO IN) (EXCEPT HCD-HDX576WF)
Sensitivity: 450/250 mV (HCD-HDX576WF)
TV (AUDIO IN)
Sensitivity: 450/250 mV (HCD-HDX576WF)
SAT/CABLE (AUDIO IN)
Sensitivity: 450/250 mV
AUDIO IN
Sensitivity: 250/125 mV

Inputs (Digital)
TV/VIDEO (COAXIAL IN/OPTICAL IN) (EXCEPT HCD-HDX576WF)
Impedance: 75 ohms/-
TV (COAXIAL IN/OPTICAL IN) (HCD-HDX576WF)
Impedance: 75 ohms/-

Outputs (Analog)
Phones
Accepts low- and high-impedance headphones.

Super Audio CD/DVD System
Laser
Semiconductor laser (Super Audio CD/DVD: $\lambda = 650$ nm) (CD: $\lambda = 790$ nm)
Emission duration: continuous
NTSC

Signalformat system
Tuner Section
System
PLL quartz-locked digital synthesizer

FM tuner section
Tuning range
North American models: 87.5 MHz - 108.0 MHz (100 kHz step)
Other models: 87.5 MHz - 108.0 MHz (50 kHz step)

Antenna (aerial)
Antenna (aerial) terminals
Intermediate frequency
10.7 MHz

Tuning range
North American, Mexican, and Latin American models:
530kHz - 1,710kHz (with the interval set at 10kHz)
531kHz - 1,710kHz (with the interval set at 9kHz)

- Continued on next page -

DVD RECEIVER

9-887-987-02
2008E05-1
© 2008.05

Sony Corporation
Audio Business Group
Published by Sony Techno Create Corporation

SONY®

HCD-HDX275/HDX277WC/HDX279W/HDX475/HDX576WF/HDX675

European, CIS and Middle Eastern models:	531kHz - 1,602 kHz (with the interval set at 9 kHz)
Australian and New Zealand models:	531kHz - 1,710 kHz (with the interval set at 9 kHz) 530kHz - 1,710 kHz (with the interval set at 10 kHz)
Other models:	531kHz - 1,602 kHz (with the interval set at 9 kHz) 530kHz - 1,610 kHz (with the interval set at 10 kHz)
Antenna (aerial)	AM loop antenna (aerial)
Intermediate frequency	450 kHz
Video Section	
Outputs	VIDEO: 1 Vp-p 75 ohms COMPONENT: Y: 1 Vp-p 75ohms Pb/Cb, Pr/Cr: 0.7Vp-p 75 ohms HDMI OUT: Type A (19 pin)

General	
Power requirements	
North American models:	120 V AC, 60 Hz
Other models:	220 V - 240 V AC, 50/60 Hz
Power consumption	
HCD-HDX275/HDX277WC/HDX475/HDX675	On: 165 W Standby: 0.3 W (at the Power Saving mode)
HCD-HDX279W/HDX576WF	On: 125 W Standby: 0.3 W (at the Power Saving mode)
Output voltage (DIGITAL MEDIA PORT)	DC 5 V
Output current (DIGITAL MEDIA PORT)	700 mA
Dimensions (approx.)	430 mm × 85 mm × 420 mm (17 in × 3 3/8 in × 16 5/8 in) (w/h/d) incl. projecting parts
Mass (approx.)	5.2 kg (11 lb 8 oz)

Design and specifications are subject to change without notice.

Notes on chip component replacement

- Never reuse a disconnected chip component.
- Notice that the minus side of a tantalum capacitor may be damaged by heat.

CAUTION

Use of controls or adjustments or performance of procedures other than those specified herein may result in hazardous radiation exposure.

SAFETY CHECK-OUT

After correcting the original service problem, perform the following safety check before releasing the set to the customer:
Check the antenna terminals, metal trim, "metallized" knobs, screws, and all other exposed metal parts for AC leakage.
Check leakage as described below.

LEAKAGE TEST

The AC leakage from any exposed metal part to earth ground and from all exposed metal parts to any exposed metal part having a return to chassis, must not exceed 0.5 mA (500 microamperes.). Leakage current can be measured by any one of three methods.

1. A commercial leakage tester, such as the Simpson 229 or RCA WT-540A. Follow the manufacturers' instructions to use these instruments.
2. A battery-operated AC milliammeter. The Data Precision 245 digital multimeter is suitable for this job.
3. Measuring the voltage drop across a resistor by means of a VOM or battery-operated AC voltmeter. The "limit" indication is 0.75 V, so analog meters must have an accurate low-voltage scale. The Simpson 250 and Sanwa SH-63Trd are examples of a passive VOM that is suitable. Nearly all battery operated digital multimeters that have a 2 V AC range are suitable. (See Fig. A)

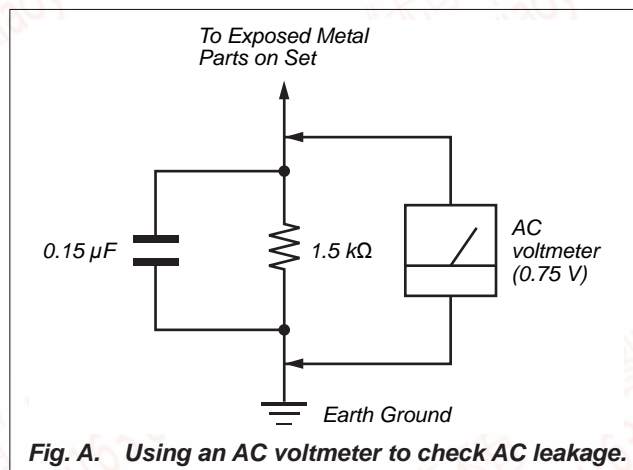


Fig. A. Using an AC voltmeter to check AC leakage.

SAFETY-RELATED COMPONENT WARNING!

COMPONENTS IDENTIFIED BY MARK \triangle OR DOTTED LINE WITH MARK \triangle ON THE SCHEMATIC DIAGRAMS AND IN THE PARTS LIST ARE CRITICAL TO SAFE OPERATION. REPLACE THESE COMPONENTS WITH SONY PARTS WHOSE PART NUMBERS APPEAR AS SHOWN IN THIS MANUAL OR IN SUPPLEMENTS PUBLISHED BY SONY.

ATTENTION AU COMPOSANT AYANT RAPPORT À LA SÉCURITÉ!

LES COMPOSANTS IDENTIFIÉS PAR UNE MARQUE \triangle SUR LES DIAGRAMMES SCHÉMATIQUES ET LA LISTE DES PIÈCES SONT CRITIQUES POUR LA SÉCURITÉ DE FONCTIONNEMENT. NE REMPLACER CES COMPOSANTS QUE PAR DES PIÈCES SONY DONT LES NUMÉROS SONT DONNÉS DANS CE MANUEL OU DANS LES SUPPLÉMENTS PUBLIÉS PAR SONY.

SELF DIAGNOSIS FUNCTION

(When letters/numbers appear in the display)

When the self-diagnosis function is activated to prevent the system from malfunctioning, a 5-character service number (e.g., C 13 50) with a combination of a letter and 4 digits appears on the TV screen or front panel display. In this case, check the following table.



First 3 characters of the service number	Cause and/or corrective action
C 13	The disc is dirty. ➔ Clean the disc with a soft cloth.
C 31	The disc is not inserted correctly. ➔ Restart the system, then re-insert the disc correctly.
E XX (XX is a number)	To prevent a malfunction, the system has performed the self-diagnosis function. ➔ Contact your nearest Sony dealer or local authorized Sony service facility and give the 5-character service number. Example: E 61 10

When displaying the version number on the TV screen

When you turn on the system, the version number [VER.X.XX] (X is a number) may appear on the TV screen. Although this is not a malfunction and for Sony service use only, normal system operation will not be possible. Turn off the system, and then turn on the system again to operate.



TABLE OF CONTENTS

00 376315150 892498299

1. **SERVICING NOTES** 5

2. **GENERAL** 9

3. **DISASSEMBLY**

3-1. Disassembly Flow 12

3-2. Case (DCR) 13

3-3. Front Panel Block 13

3-4. POWER Board 14

3-5. Back Panel Block (HDX275/HDX475/HDX675) 14

3-6. Back Panel Block (HDX277WC/HDX279W/HDX576WF) 15

3-7. SPEAKER Board, SERIPARA Board and MAIN Board 15

3-8. Cover (CDM-DCR) 16

3-9. DVD Mechanism Deck (CDM81C-DVBU101) 16

3-10. Tray (Main) Assy 17

3-11. MOTOR Board 17

3-12. Optical Pick-up Section 18

3-13. Optical Pick-up Block (KHM-310CAB or KHM-313CAB) 18

3-14. Gear (Sub Tray 1)/Gear (Sub Tray 2) 19

3-15. Lever (Mode) 19

3-16. Stocker Block 20

3-17. Cam (Stocker) 20

3-18. Gear (Stocker 3) 21

3-19. Rotary Encoder (MD) (S771) 21

3-20. Gear (BU1) 22

4. **TEST MODE** 23

5. **ELECTRICAL ADJUSTMENTS** 27

6. **DIAGRAMS**

6-1. Block Diagram - RF SERVO/VIDEO Section - 28

6-2. Block Diagram - CHANGER/HDMI/DMPORNT Section - 29

6-3. Block Diagram - TUNER/S-AIR Section - 30

6-4. Block Diagram - AMP Section - 31

6-5. Block Diagram - PANEL/POWER SUPPLY Section - 32

6-6. Printed Wiring Board - MAIN Board (Component Side) - 34

6-7. Printed Wiring Board - MAIN Board (Conductor Side) - 35

6-8. Schematic Diagram - MAIN Board (1/12) - 36

6-9. Schematic Diagram - MAIN Board (2/12) - 37

6-10. Schematic Diagram - MAIN Board (3/12) - 38

6-11. Schematic Diagram - MAIN Board (4/12) - 39

6-12. Schematic Diagram - MAIN Board (5/12) - 40

6-13. Schematic Diagram - MAIN Board (6/12) - 41

6-14. Schematic Diagram - MAIN Board (7/12) - 42

6-15. Schematic Diagram - MAIN Board (8/12) - 43

6-16. Schematic Diagram - MAIN Board (9/12) - 44

6-17. Schematic Diagram - MAIN Board (10/12) - 45

6-18. Schematic Diagram - MAIN Board (11/12) - 46

6-19. Schematic Diagram - MAIN Board (12/12) - 47

6-20. Printed Wiring Board - SERIPARA Board - 47

6-21. Schematic Diagram - SERIPARA Board - 48

6-22. Printed Wiring Board - S-AIR CON Board (HDX275/HDX475/HDX675) - 49

6-23. Schematic Diagram - S-AIR CON Board (HDX275/HDX475/HDX675) - 49

6-24. Printed Wiring Board - S-AIR INC Board (HDX277WC/HDX279W/HDX576WF) - 50

6-25. Schematic Diagram - S-AIR INC Board (HDX277WC/HDX279W/HDX576WF) - 51

6-26. Printed Wiring Board - I/O Board (Component Side) - 52

6-27. Printed Wiring Board - I/O Board (Conductor Side) - 53

6-28. Schematic Diagram - I/O Board - 54

6-29. Printed Wiring Board - SPEAKER Board - 55

6-30. Schematic Diagram - SPEAKER Board - 55

6-31. Printed Wiring Boards - JACK-KEY Section - 56

6-32. Schematic Diagram - JACK-KEY Section - 57

6-33. Printed Wiring Boards - RELAY Section - 58

6-34. Schematic Diagram - RELAY Section - 59

6-35. Printed Wiring Board - FL Board - 60

6-36. Schematic Diagram - FL Board - 61

6-37. Printed Wiring Board - POWER Board - 62

6-38. Schematic Diagram - POWER Board - 63

7. **EXPLODED VIEWS**

7-1. Case Section 81

7-2. Front Panel Section 82

7-3. Chassis Section 83

7-4. DVD Mechanism Deck Section-1 (CDM81C-DVBU101) 84

7-5. DVD Mechanism Deck Section-2 (CDM81C-DVBU101) 85

7-6. DVD Mechanism Deck Section-3 (CDM81C-DVBU101) 86

7-7. Optical Pick-up Section 87

8. **ELECTRICAL PARTS LIST** 88

EL 13942296513 00 376315150 892498299

NOTES ON HANDLING THE OPTICAL PICK-UP BLOCK OR BASE UNIT

The laser diode in the optical pick-up block may suffer electrostatic break-down because of the potential difference generated by the charged electrostatic load, etc. on clothing and the human body. During repair, pay attention to electrostatic break-down and also use the procedure in the printed matter which is included in the repair parts.
 The flexible board is easily damaged and should be handled with care.

NOTES ON LASER DIODE EMISSION CHECK

The laser beam on this model is concentrated so as to be focused on the disc reflective surface by the objective lens in the optical pickup block. Therefore, when checking the laser diode emission, observe from more than 30 cm away from the objective lens.

UNLEADED SOLDER

Boards requiring use of unleaded solder are printed with the lead-free mark (LF) indicating the solder contains no lead. (Caution: Some printed circuit boards may not come printed with the lead free mark due to their particular size)

LF : LEAD FREE MARK

Unleaded solder has the following characteristics.

- Unleaded solder melts at a temperature about 40 °C higher than ordinary solder.
 Ordinary soldering irons can be used but the iron tip has to be applied to the solder joint for a slightly longer time. Soldering irons using a temperature regulator should be set to about 350 °C.
 Caution: The printed pattern (copper foil) may peel away if the heated tip is applied for too long, so be careful!
- Strong viscosity
 Unleaded solder is more viscous (sticky, less prone to flow) than ordinary solder so use caution not to let solder bridges occur such as on IC pins, etc.
- Usable with ordinary solder
 It is best to use only unleaded solder but unleaded solder may also be added to ordinary solder.

RELEASING THE TRAY LOCK

The disc tray lock function for the antitheft of an demonstration disc in the store is equipped.

Releasing Procedure:

1. Press the [I/⏻] button to turn on the system.
2. Press the [FUNCTION] button repeatedly to select "DVD".
3. While pressing the [□] button, press the [△] button until "UN-LOCKED" displayed on the fluorescent indicator tube (around 5 seconds).

Note: When "LOCKED" is displayed, the tray lock is not released by turning power on/off with the [I/⏻] button.

RELEASING THE DEMO PLAY LOCK

Releasing Procedure:

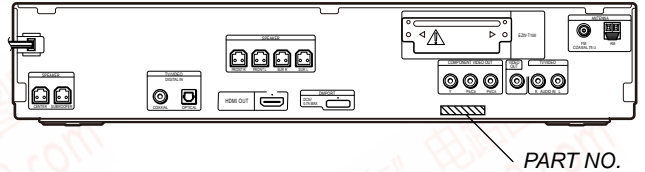
1. Press the [I/⏻] button to turn on the system.
2. Press the [FUNCTION] button repeatedly to select "DVD".
3. While pressing the [□] button, press the [▷] button until "DEMO OFF" displayed on the fluorescent indicator tube (around 5 seconds).

Note: When "DEMO ON" is displayed, the set is not possible to turn off the system.

NOTE OF REPLACING THE IC1103 ON THE MAIN BOARD



















IC1103 on the MAIN board cannot exchange with single. When IC1103 on the MAIN board is damaged, exchange the entire mounted board.

MODEL IDENTIFICATION



Model	Part No.
HDX576WF: Canadian model	3-277-790-0□
HDX576WF: US model	3-278-578-3□
HDX277WC	3-278-578-4□
HDX675	3-278-578-5□
HDX275: US model	3-278-578-7□
HDX275: Australian model	3-278-578-8□
HDX275: 240V AC area in E model	3-278-579-0□
HDX475	3-278-579-3□
HDX279W	3-278-579-4□

Playable Discs

Type	Disc logo	Characteristics	Icon
DVD VIDEO	     	<ul style="list-style-type: none"> DVD VIDEO DVD-R/DVD-RW in DVD VIDEO format or video mode DVD+R/DVD+RW in DVD VIDEO format 	
VR (Video Recording) mode	 	<ul style="list-style-type: none"> DVD-R/DVD-RW in VR (Video Recording) mode (except for DVD-R DL) 	
Super Audio CD		<ul style="list-style-type: none"> Super Audio CD 	
VIDEO CD		<ul style="list-style-type: none"> VIDEO CD (Ver. 1.1 and 2.0 discs) Super VCD CD-R/CD-RW/CD-ROM in video CD format or Super VCD format 	
CD		<ul style="list-style-type: none"> Audio CD CD-R/CD-RW in audio CD format 	
DATA CD	-	<ul style="list-style-type: none"> CD-R/CD-RW/CD-ROM in DATA CD format, containing MP3 files¹⁾ and JPEG image files²⁾, and DivX video files³⁾⁴⁾⁵⁾, and conforming to ISO 9660⁶⁾ Level 1/ Level 2, or Joliet (extended format) 	
DATA DVD	-	<ul style="list-style-type: none"> DVD-ROM/DVD-R/DVD-RW/DVD+R/DVD+RW in DATA DVD format, containing MP3 files¹⁾ and JPEG image files²⁾, and DivX video files³⁾⁴⁾⁵⁾, and conforming to UDF (Universal Disk Format) 	

¹⁾MP3 (MPEG1 Audio Layer 3) is a standard format defined by ISO/MPEG which compresses audio data. MP3 files must be in MPEG1 Audio Layer 3 format.

²⁾JPEG image files must conform to the DCF image file format. (DCF "Design rule for Camera File system": Image standards for digital cameras regulated by Japan Electronics and Information Technology Industries Association (JEITA).)

³⁾Except for United Kingdom and North American models.

⁴⁾DivX[®] is a video file compression technology, developed by DivX, Inc.

⁵⁾DivX, DivX Certified, and associated logos are trademarks of DivX, Inc. and are used under license.

⁶⁾A logical format of files and folders on CD-ROMs, defined by ISO (International Organization for Standardization).

"DVD-RW," "DVD+RW," "DVD+R," "DVD VIDEO," and the "CD" logos are trademarks.

Example of discs that the system cannot play

The system cannot play the following discs:

- CD-ROM/CD-R/CD-RW other than those recorded in the formats listed
- CD-ROM recorded in PHOTO CD format
- Data part of CD-Extra
- CD Graphics disc
- DVD Audio
- DATA DVD that does not contain MP3 files or JPEG image files, or DivX video files*
- * Except for United Kingdom and North American models.
- DVD-RAM

Also, the system cannot play the following discs:

- A DVD VIDEO with a different region code
- A disc that has a non-standard shape (e.g., card, heart)
- A disc with paper or stickers on it
- A disc that has the adhesive of cellophane tape or a sticker still left on it

Note about CD-R/CD-RW/DVD-R/DVD-RW/DVD+R/DVD+RW

In some cases, CD-R/CD-RW/DVD-R/DVD-RW/DVD+R/DVD+RW cannot be played on this system due to the recording quality or physical condition of the disc, or the characteristics of the recording device and authoring software.

The disc will not play if it has not been correctly finalized. For more information, refer to the operating instructions for the recording device.

Note that some playback functions may not work with some DVD+RWs/DVD+Rs, even if they have been correctly finalized. In this case, view the disc by normal playback. Also some DATA CDs/DATA DVDs created in Packet Write format cannot be played.

Music discs encoded with copyright protection technologies

This product is designed to play back discs that conform to the Compact Disc (CD) standard. Recently, various music discs encoded with copyright protection technologies are marketed by some record companies. Please be aware that among those discs, there are some that do not conform to the CD standard and may not be playable by this product.

Note on DualDiscs

A DualDisc is a two sided disc product which mates DVD recorded material on one side with digital audio material on the other side. However, since the audio material side does not conform to the Compact Disc (CD) standard, playback on this product is not guaranteed.

About Multi Session CD

- This system can play a Multi Session CD when an MP3 file is contained in the first session. Any subsequent MP3 files recorded in later sessions can also be played back.
- This system can play a Multi Session CD when a JPEG image file is contained in the first session. Any subsequent JPEG image files recorded in later sessions can also be played back.
- If MP3 files and JPEG image files in music CD format or video CD format are recorded in the first session, only the first session will be played back.

Region code

Your system has a region code printed on the rear of the unit and will only play a DVD labeled with the same region code.

A DVD VIDEO labeled  will also play on this system.

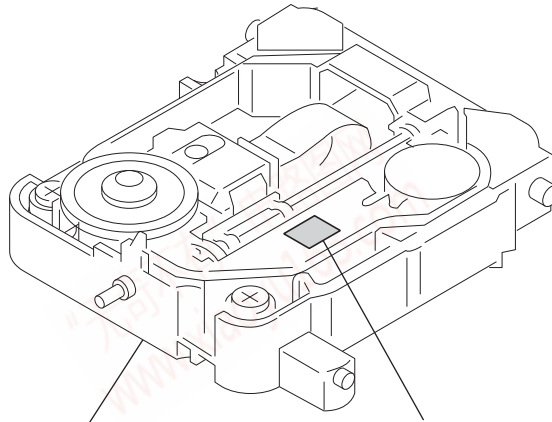
If you try to play any other DVD VIDEO, the message [Playback prohibited by area limitations.] will appear on the TV screen. Depending on the DVD VIDEO, no region code indication may be given even though playing the DVD VIDEO is prohibited by area restrictions.

Note about playback operations of a DVD or VIDEO CD

Some playback operations on a DVD or VIDEO CD may be intentionally set by software producers. Since this system will play a DVD or VIDEO CD according to the disc contents the software producers designed, some playback features may not be available. Be sure to read the operating instructions supplied with the DVD or VIDEO CD.

HOW TO IDENTIFY OPTICAL PICK-UP BLOCK

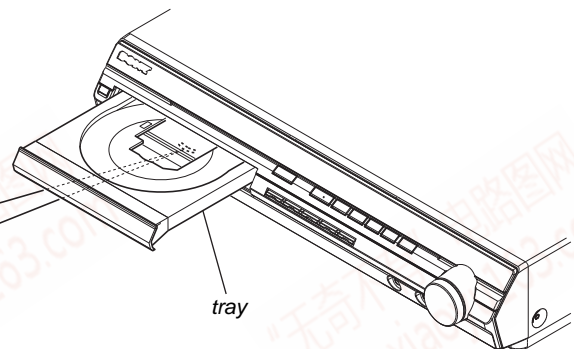
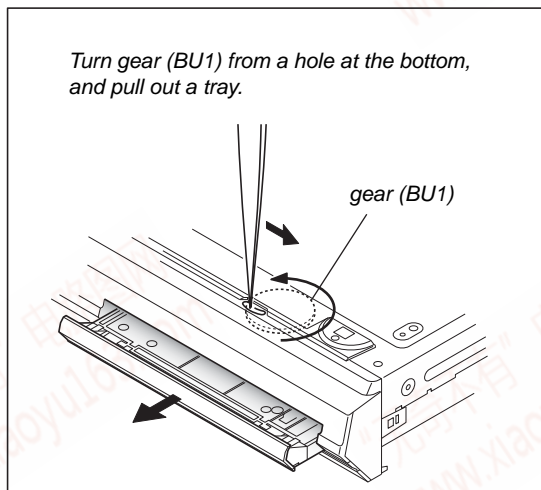
Note: There are two kinds of OPTICAL PICK-UP BLOCK in this set. When replacing the OPTICAL PICK-UP BLOCK, make sure which OPTICAL PICK-UP BLOCK it is following the "How to Identify" in the figure shown below.



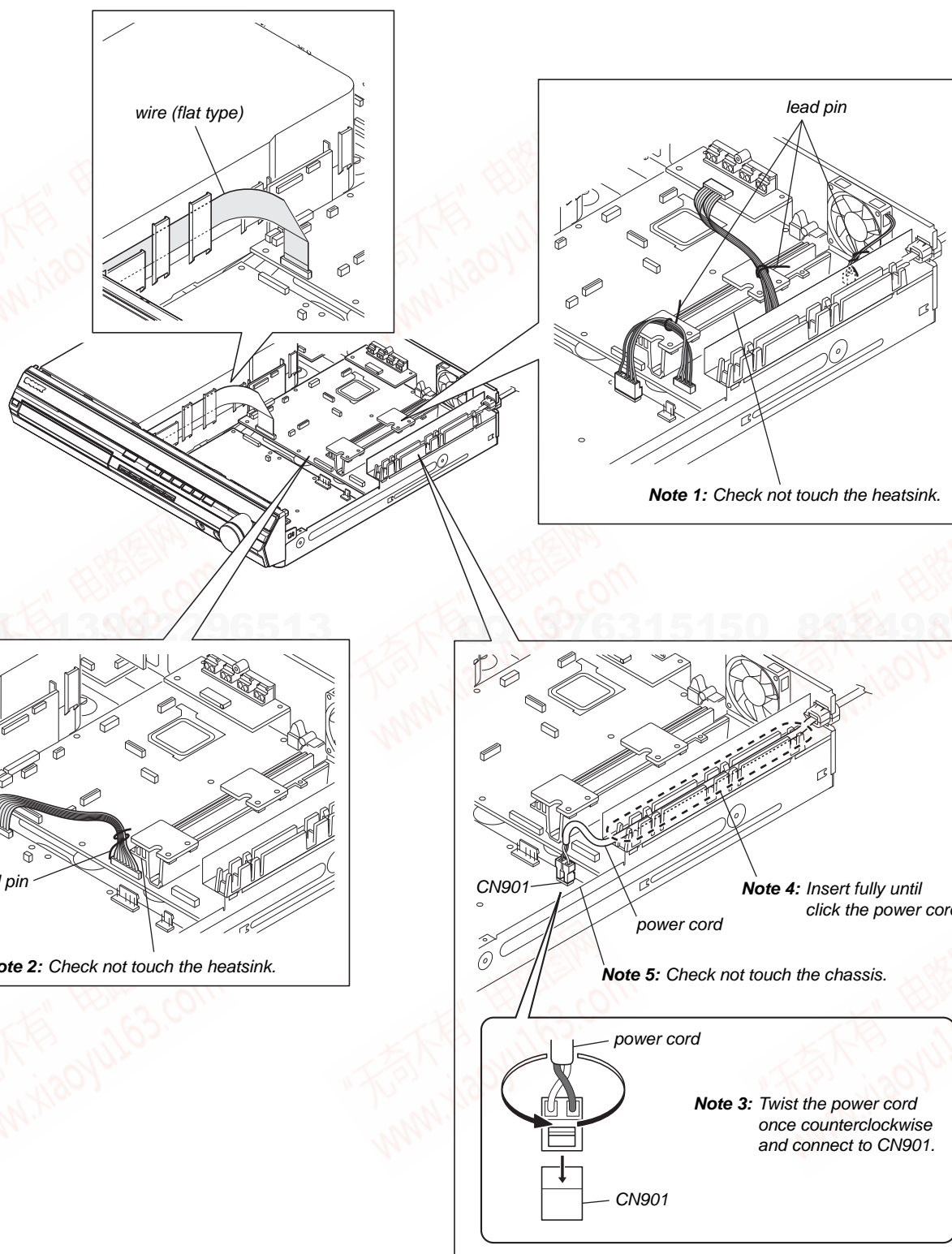
OPTICAL PICK-UP BLOCK

Printed of KHM-310CAB or KHM-313CAB.

HOW TO OPEN THE TRAY WHEN POWER SWITCH TURN OFF



HARNESS SETTING



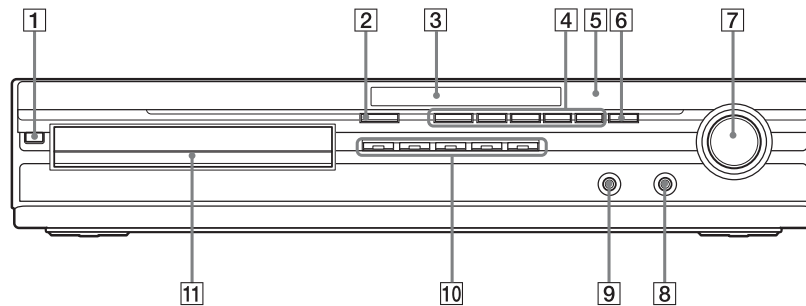
**SECTION 2
GENERAL**

This section is extracted from instruction manual.

Index to Parts and Control

For more information, refer to the pages indicated in parentheses.

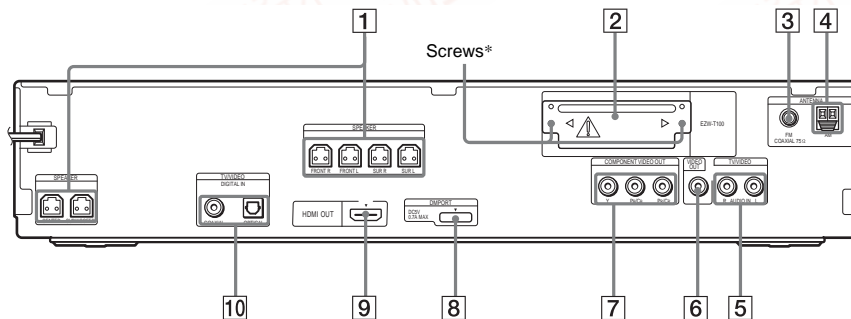
Front panel



- | | |
|--------------------------|--------------------------------|
| 1 I/⏻ (on/standby) | 7 VOLUME control |
| 2 ≡ (open/close) | 8 PHONES jack |
| 3 Front panel display | 9 AUDIO IN/A.CAL MIC jack |
| 4 Play operation buttons | 10 DISC 1-5 buttons/indicators |
| 5 [] (remote sensor) | 11 Disc tray |
| 6 FUNCTION | |

Rear panel

HCD-HDX275/HDX475/HDX675



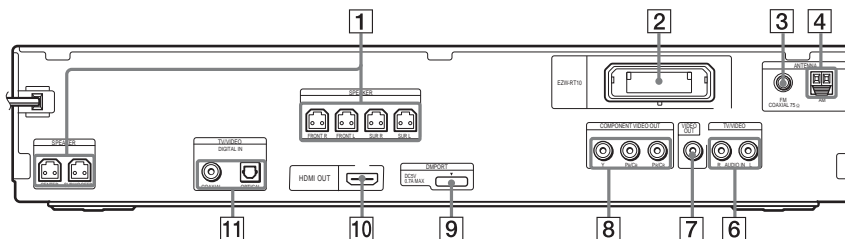
- | | |
|---------------------------------|--|
| 1 SPEAKER jacks | 7 COMPONENT VIDEO OUT jacks |
| 2 EZW-T100 slot | 8 DMPORT (DIGITAL MEDIA PORT) jack |
| 3 FM COAXIAL 75Ω jack | 9 HDMI OUT jack |
| 4 AM terminal | 10 TV/VIDEO (DIGITAL IN COAXIAL/OPTICAL) jacks |
| 5 TV/VIDEO (AUDIO IN R/L) jacks | |
| 6 VIDEO OUT jack | |

* ⚠ **CAUTION**

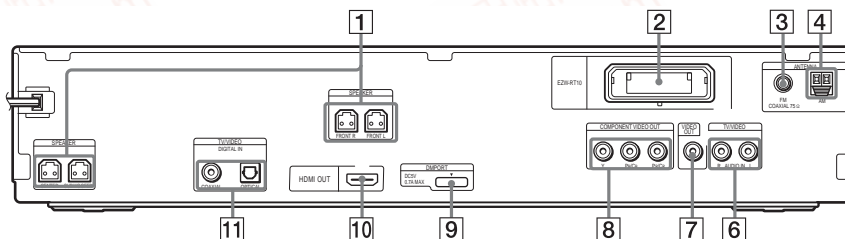
Please do not remove the screws before installing the EZW-T100.

Rear panel

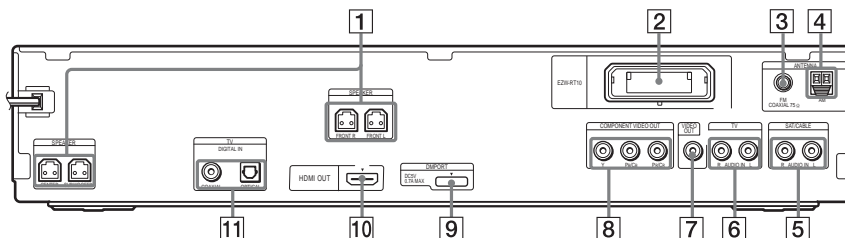
HCD-HDX277WC



HCD-HDX279W



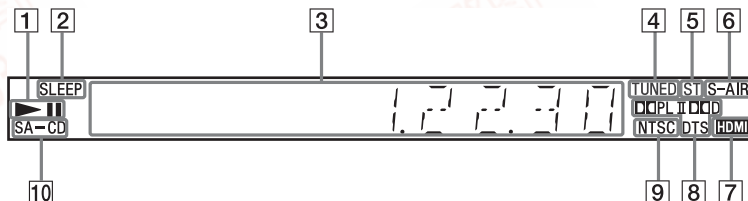
HCD-HDX576WF



- 1 SPEAKER jacks
- 2 EZW-RT10 slot
- 3 FM COAXIAL 75Ω jack
- 4 AM terminal
- 5 SAT/CABLE (AUDIO IN R/L) jacks (HCD-HDX576WF only)
- 6 TV/VIDEO (AUDIO IN R/L) jacks (HCD-HDX277WC/HDX279W)
TV (AUDIO IN R/L) jacks (HCD-HDX576WF)
- 7 VIDEO OUT jack
- 8 COMPONENT VIDEO OUT jacks
- 9 DMPORT (DIGITAL MEDIA PORT) jack
- 10 HDMI OUT jack
- 11 TV/VIDEO (DIGITAL IN COAXIAL/OPTICAL) jacks (HCD-HDX277WC/HDX279W)
TV (DIGITAL IN COAXIAL/OPTICAL) jacks (HCD-HDX576WF)

Front panel display

About the indications in the front panel display

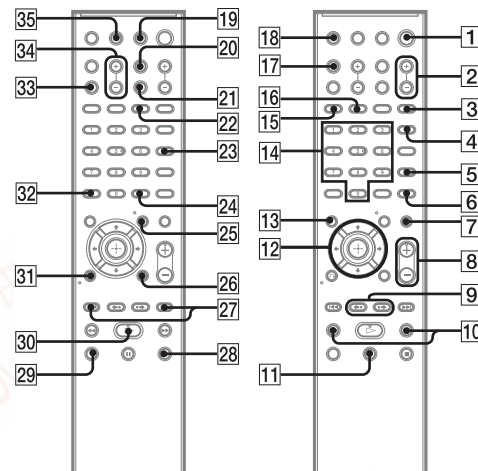


- 1 Playing status
- 2 Flashes when the sleep timer is set.
- 3 Displays system's status such as chapter, title, or track number, time information, radio frequency, playing status, decoding mode, etc.
- 4 Lights up when a station is received. (Radio only)
- 5 Stereo/Monaural effect (Radio only)
- 6 Lights up when the S-AIR transmitter (not supplied) is inserted in the unit and the system transmits the sound.
- 7 Lights up when the HDMI OUT jack is correctly connected to HDCP (High-bandwidth Digital Content Protection) compliant device with HDMI or DVI (Digital Visual Interface) input.
- 8 Current surround format (Except for JPEG image file)
- 9 Lights up when the color system is set to NTSC. (Asian, Australian, and Middle Eastern models only)
- 10 Lights up when Super Audio CD/CD is loaded.

Remote control

HCD-HDX275/HDX277WC/HDX279W/HDX475/HDX576WF

ALPHABETICAL ORDER		BUTTON DESCRIPTIONS
A - O	P - Z	
ANGLE 3	PICTURE NAVI 15	Number buttons 14 I/⏻ (on/standby) 1 TV I/⏻ (on/standby) 19 ←/↑/↓/→ ○ 12 ←•/•/→ REPLAY/ADVANCE 9 ⏮⏭⏭⏭ 27 ⏮⏭⏭ 10 STEP ⏮ 9 SLOW ⏮ 10 ▷ (play) 30 ■ (stop) 28 (pause) 11 ☒ DISPLAY ⁶⁾ 26 ↶ RETURN 31 +/- ²⁾ 32 ○ ⁵⁾ 32
AUDIO 16	PRESET +/- 27	
CLEAR 32	PROG +/- ²⁾ 27	
D.TUNING 22	S-AIR MODE ³⁾ 4	
DISC SKIP 33	SLEEP 17	
DISPLAY 21	SOUND MODE 5	
DVD MENU 25	SUBTITLE 22	
DVD TOP MENU 13	SYSTEM MENU 24	
DYNAMIC BASS 6	THEATER/THEATRE ⁴⁾ 18	
ENTER ¹⁾ 24	TOOLS 26	
FUNCTION +/- 2	TUNING +/- 10	
MENU 25	TV 29	
MUTING 7	TV CH +/- ⁵⁾ 27	
NIGHT 23	TV INPUT 20	
ONE-TOUCH PLAY 35	TV VOL +/- 34	
	VOLUME +/- 8	

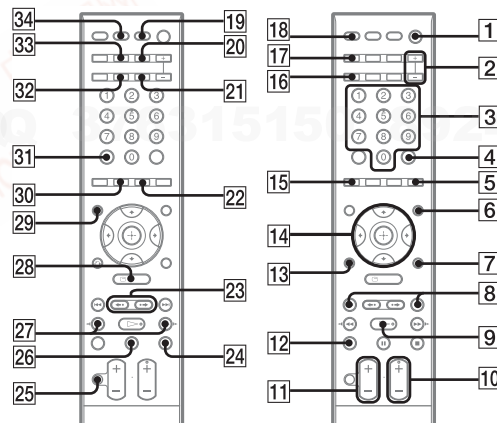


¹⁾The ENTER button has the same function as the ○ button. When you operate the TV, the ENTER button is used for selecting a channel, and the ○ button is used for selecting menu items.
²⁾Except for North American models.
³⁾HCD-HDX275/HDX475 only.
⁴⁾The button name differs depending on the area.
⁵⁾North American models only.
⁶⁾This button is available for the "DVD" or "DMPORT" function. Depending on the DIGITAL MEDIA PORT adapter, this button may not work.

Remote control

HCD-HDX675

ALPHABETICAL ORDER		BUTTON DESCRIPTIONS
A - L	M - Z	
ANGLE 5	MENU 23	Number buttons 3 I/⏻ (on/standby) 1 TV I/⏻ (on/standby) 19 ←/↑/↓/→ ○ 14 ←•/•/→ REPLAY/ADVANCE 23 ⏮⏭⏭⏭ 8 ⏮⏭⏭ 27 ⏮ 27 ▷ (play) 9 ■ (stop) 24 (pause) 26 ☒ DISPLAY** 28 ↶ RETURN 13 ○ 31
AUDIO 30	MUTING 25	
CC 30	NIGHT 20	
CLEAR 31	ONE-TOUCH PLAY 34	
D.TUNING 22	PICTURE NAVI 15	
DISC SKIP 16	PRESET +/- 8	
DISPLAY 32	S-AIR MODE 17	
DVD MENU 6	SLEEP 33	
DVD TOP MENU 29	SOUND MODE +/- 10	
DYNAMIC BASS 21	SUBTITLE 22	
ENTER* 4	SYSTEM MENU 7	
FAVORITES 15	THEATER 18	
FUNCTION +/- 2	TOOLS 7	
GUIDE 29	TV 12	
INPUT 6	TV CH +/- 10	
	TV VOL +/- 11	
	TUNING +/- 27	
	VOLUME +/- 11	

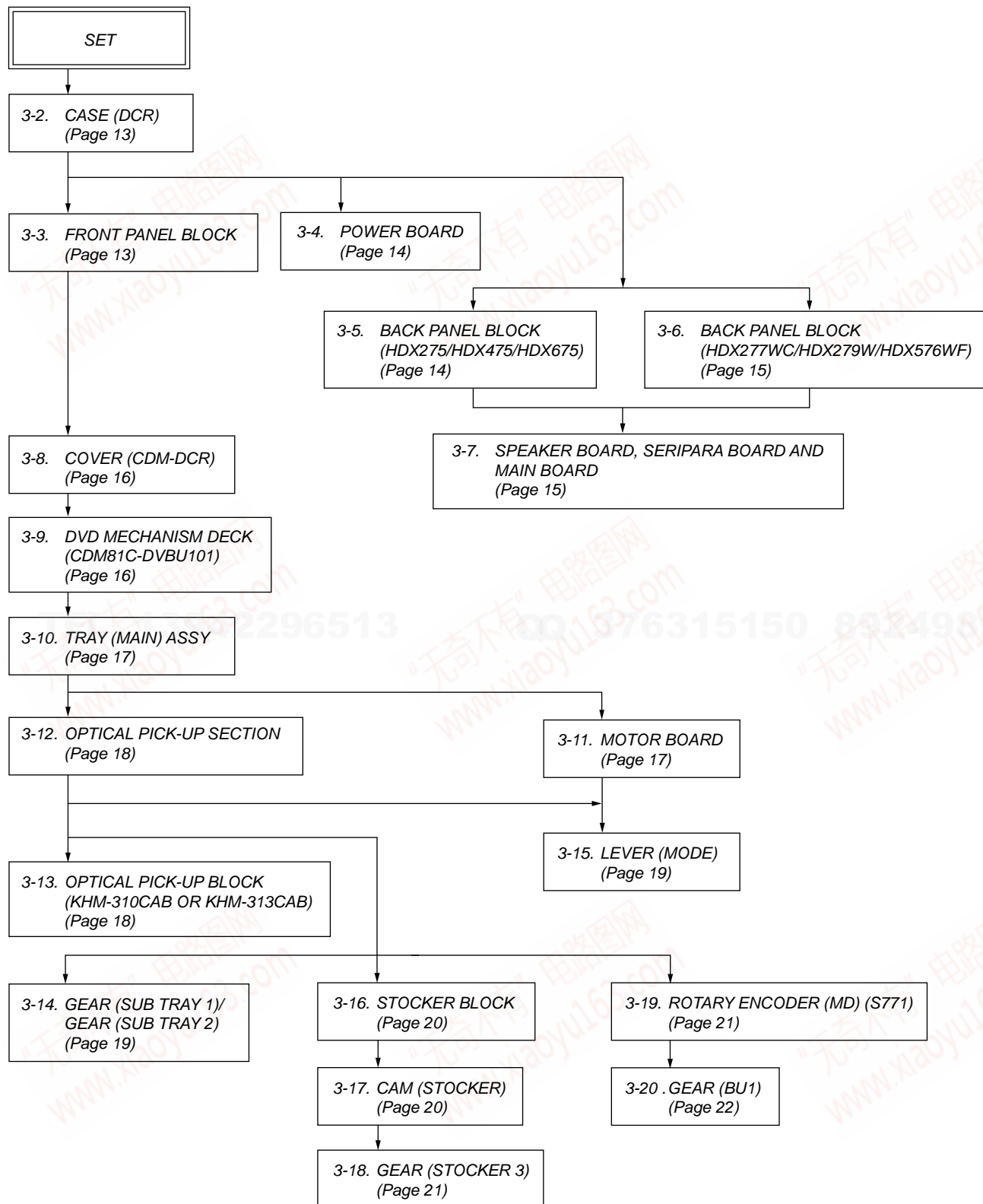


* The ENTER button has the same function as the ○ button. When you operate the TV, the ENTER button is used for selecting a channel, and the ○ button is used for selecting menu items.
 ** This button is available for the "DVD" or "DMPORT" function. Depending on the DIGITAL MEDIA PORT adapter, this button may not work.

**SECTION 3
 DISASSEMBLY**

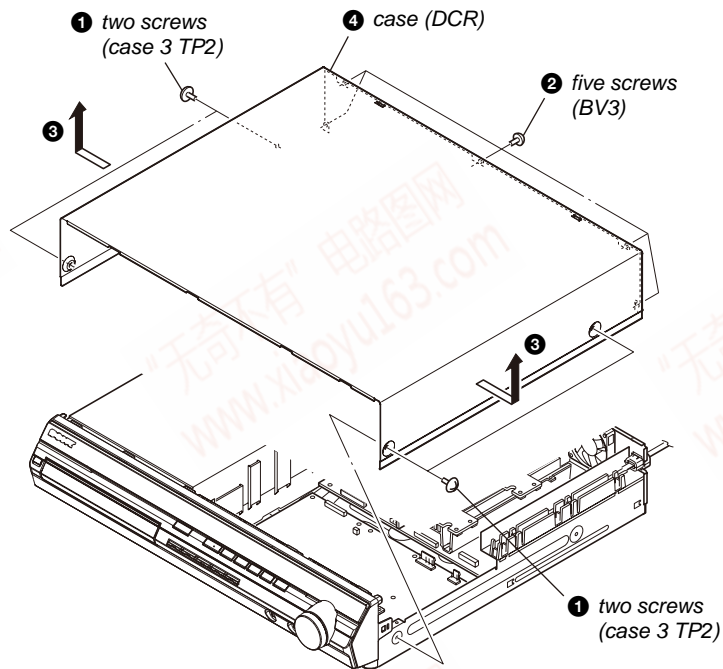
- This set can be disassembled in the order shown below.

3-1. DISASSEMBLY FLOW

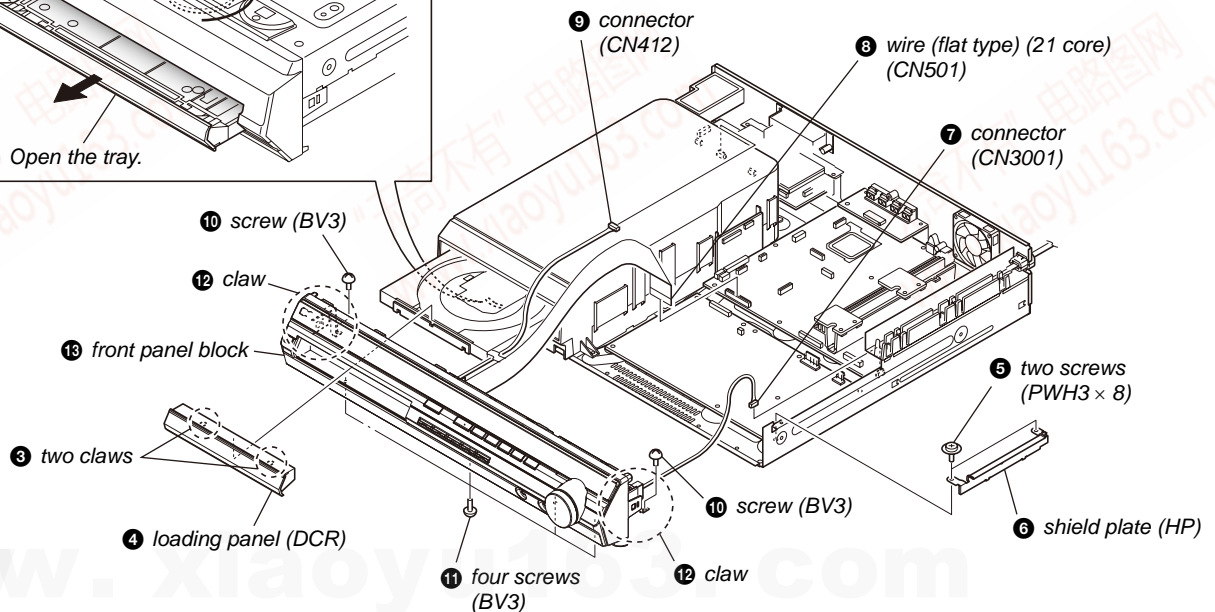
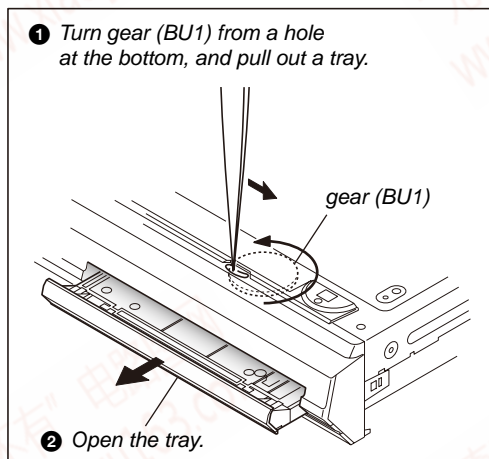


Note: Follow the disassembly procedure in the numerical order given.

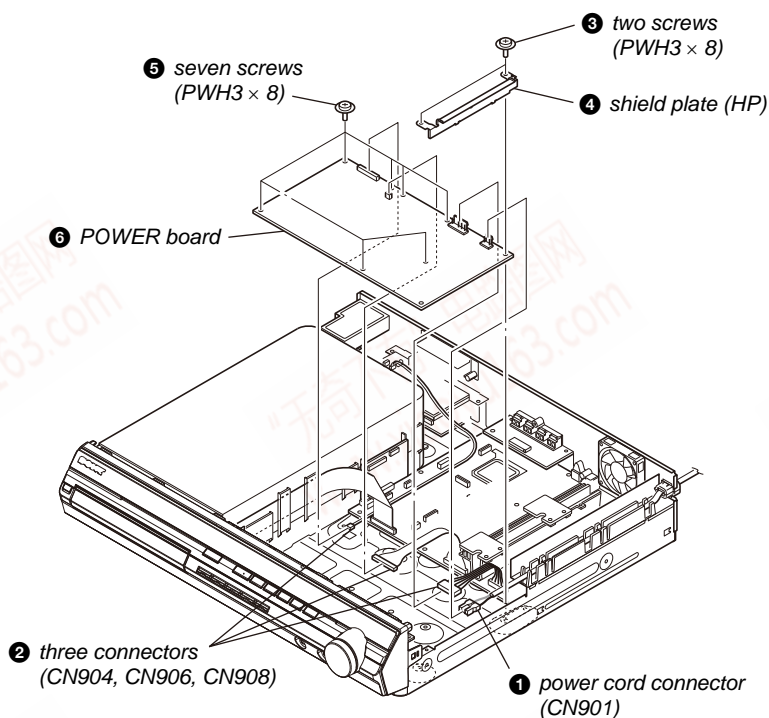
3-2. CASE (DCR)



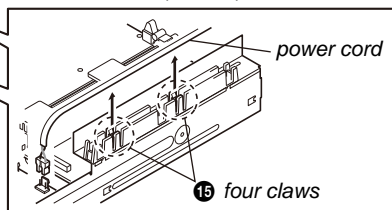
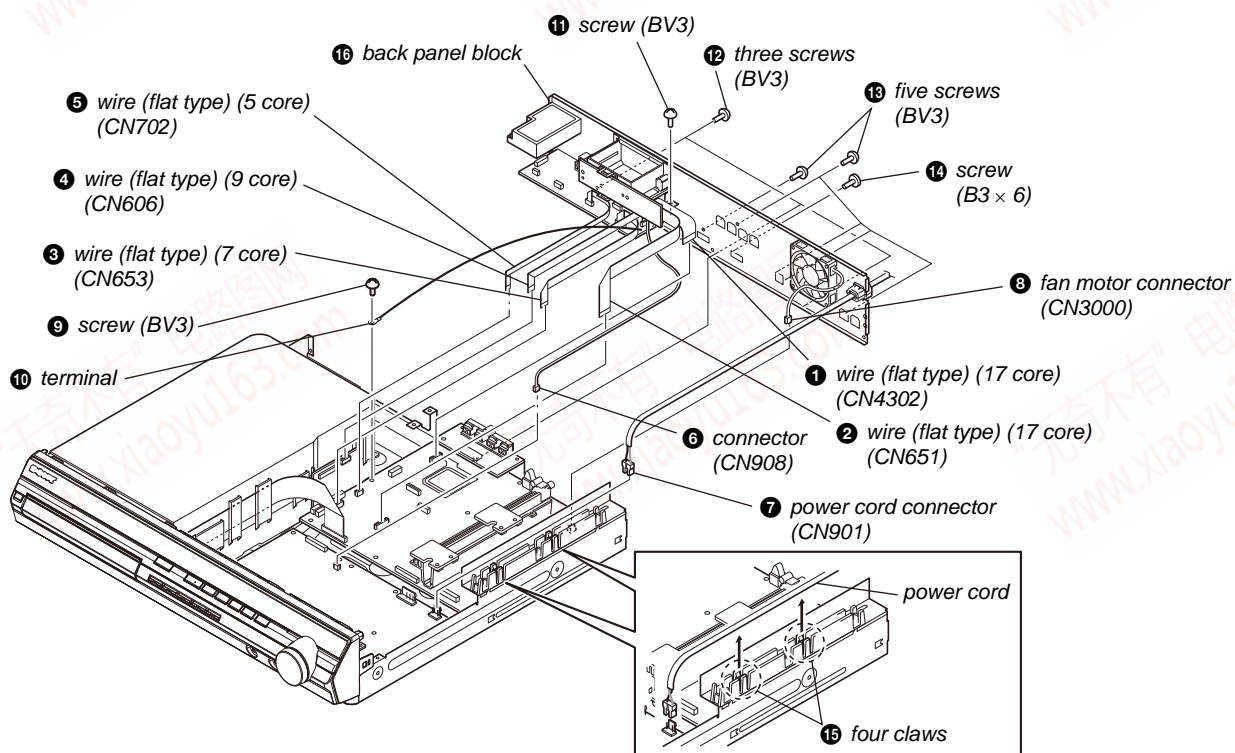
3-3. FRONT PANEL BLOCK



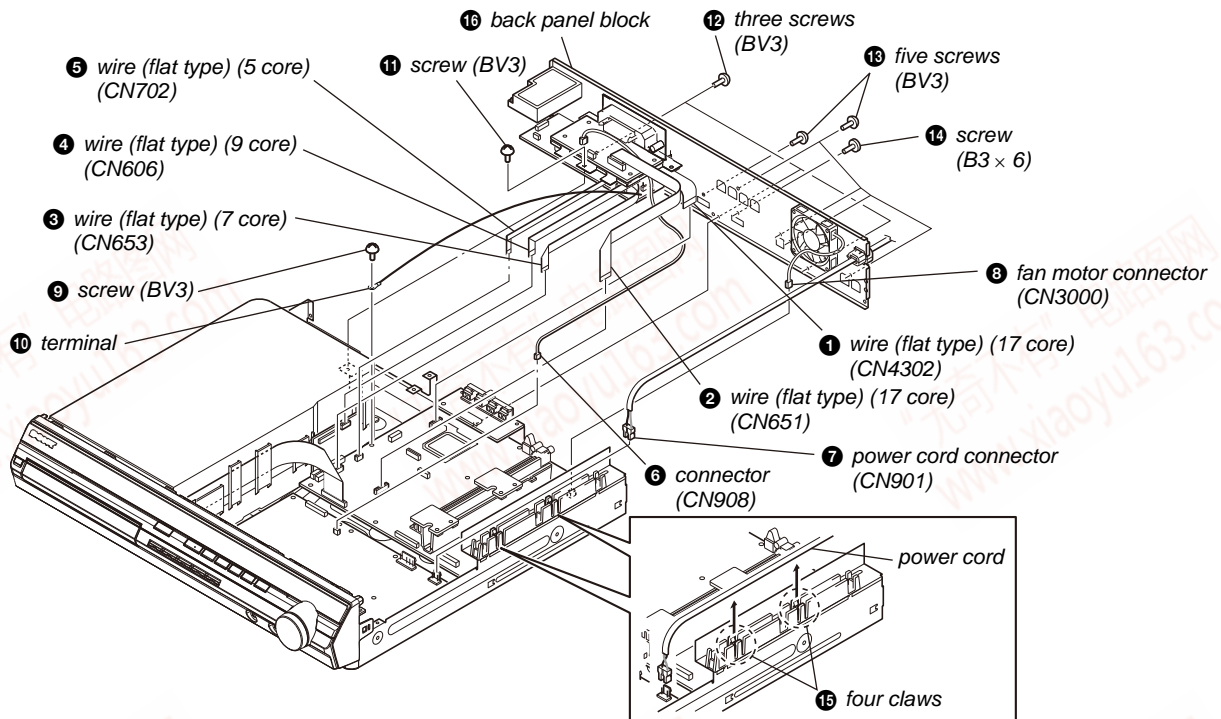
3-4. POWER BOARD



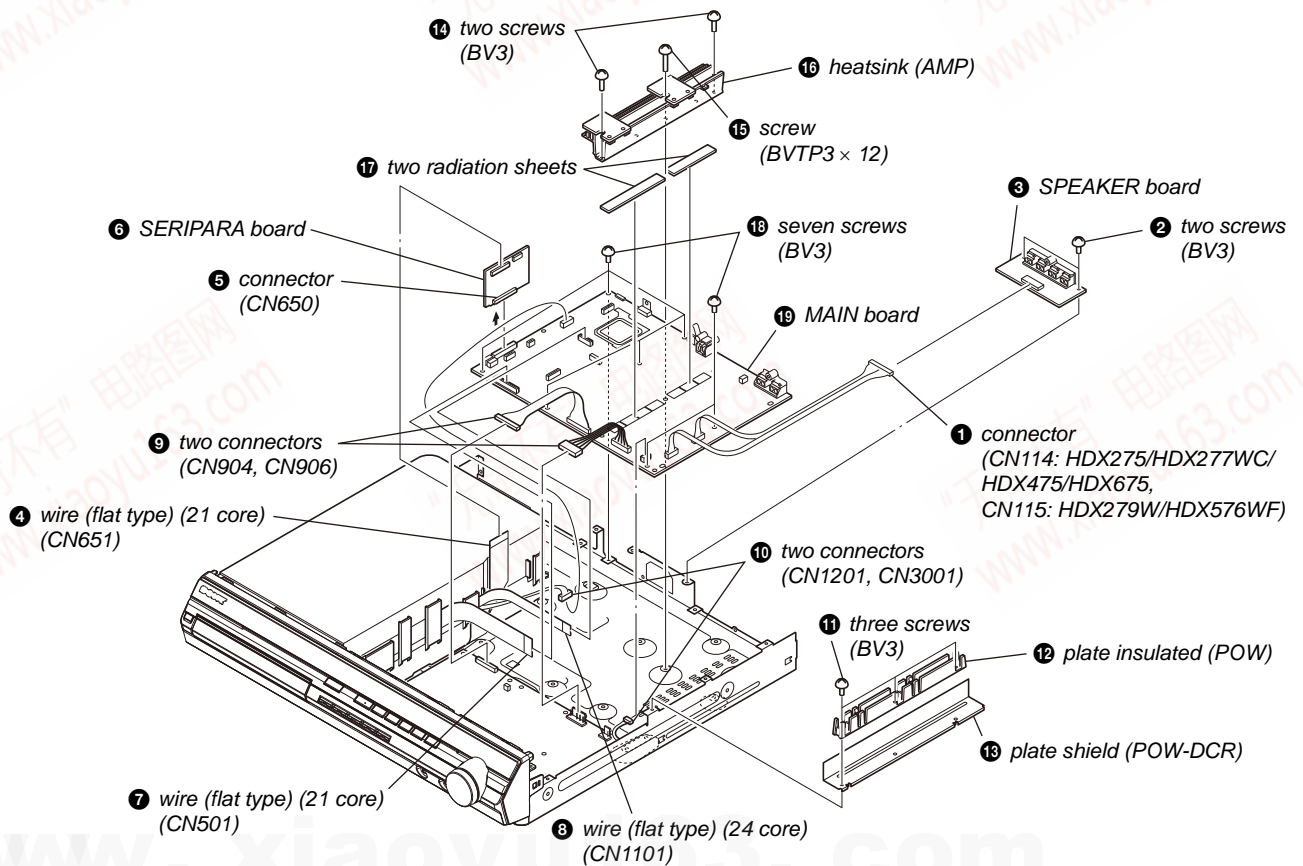
3-5. BACK PANEL BLOCK (HDX275/HDX475/HDX675)



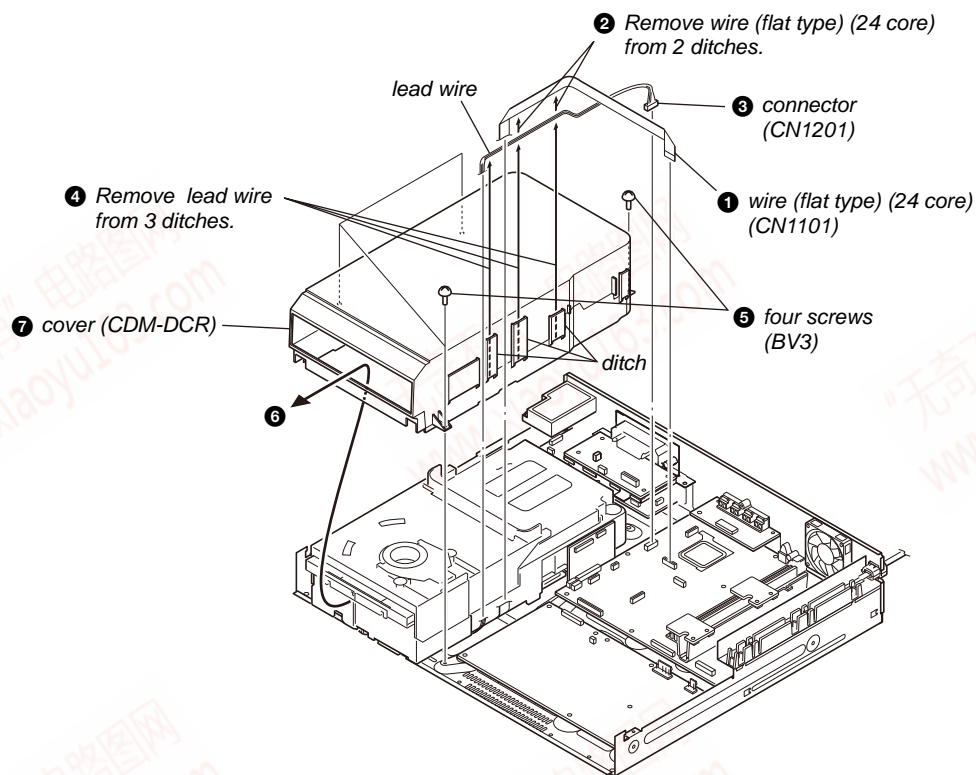
3-6. BACK PANEL BLOCK (HDX277WC/HDX279W/HDX576WF)



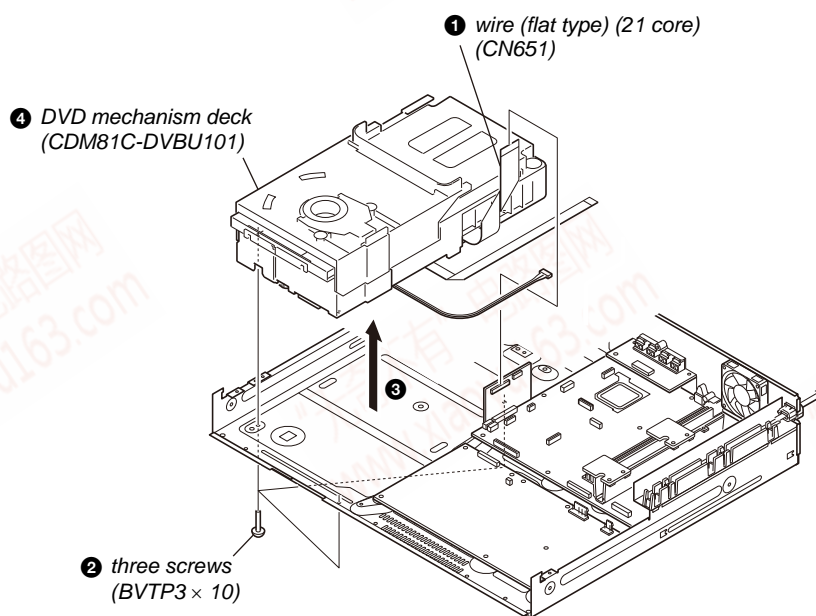
3-7. SPEAKER BOARD, SERIPARA BOARD AND MAIN BOARD



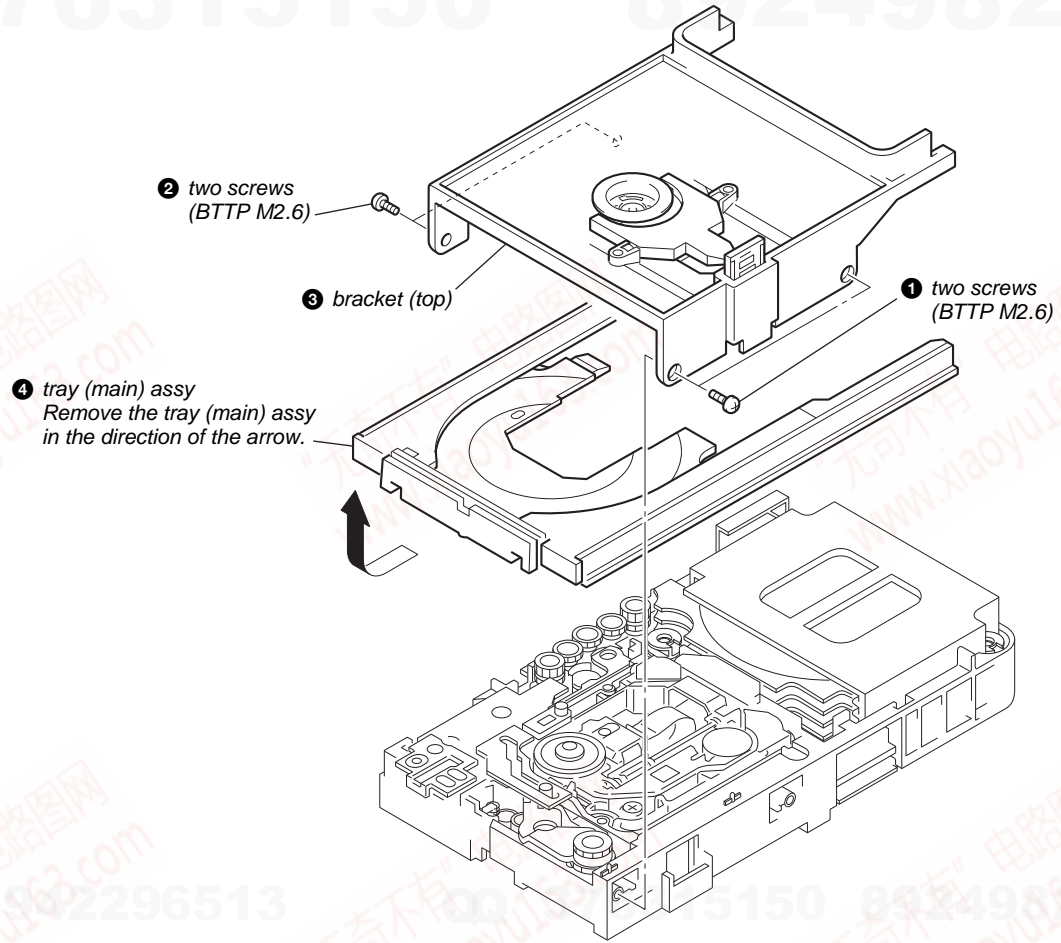
3-8. COVER (CDM-DCR)



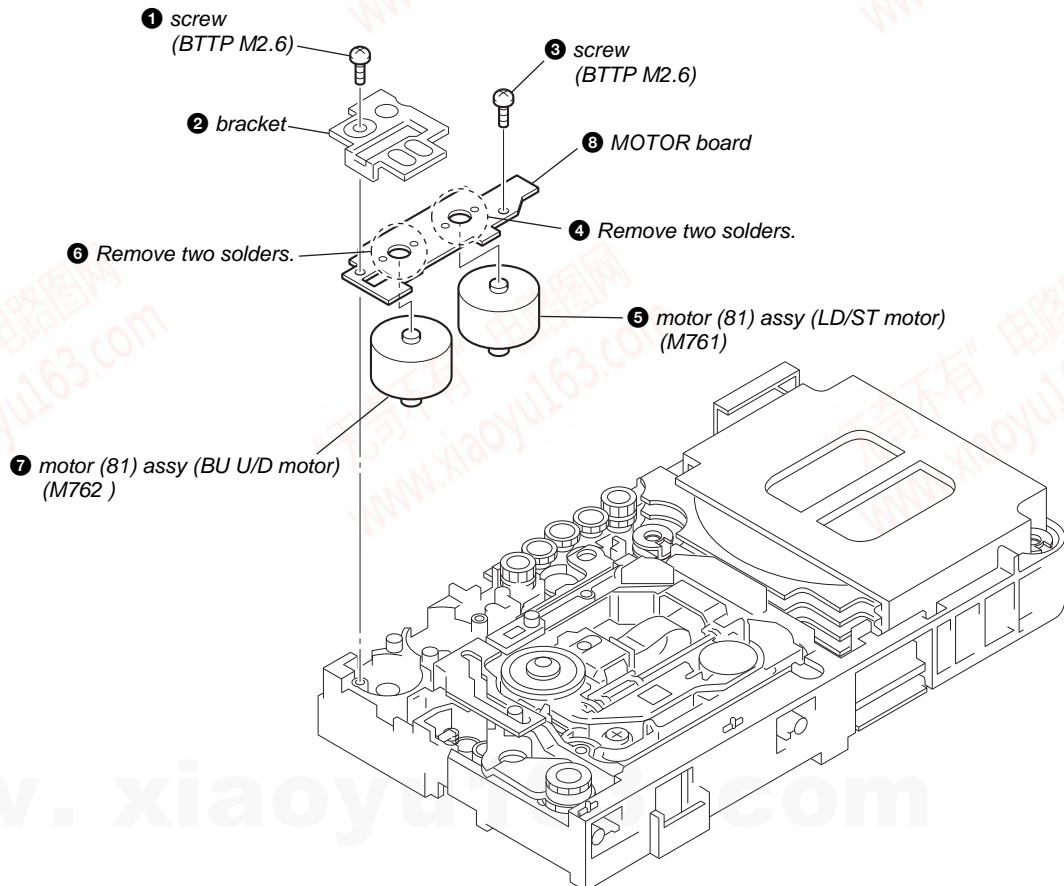
3-9. DVD MECHANISM DECK (CDM81C-DVBU101)



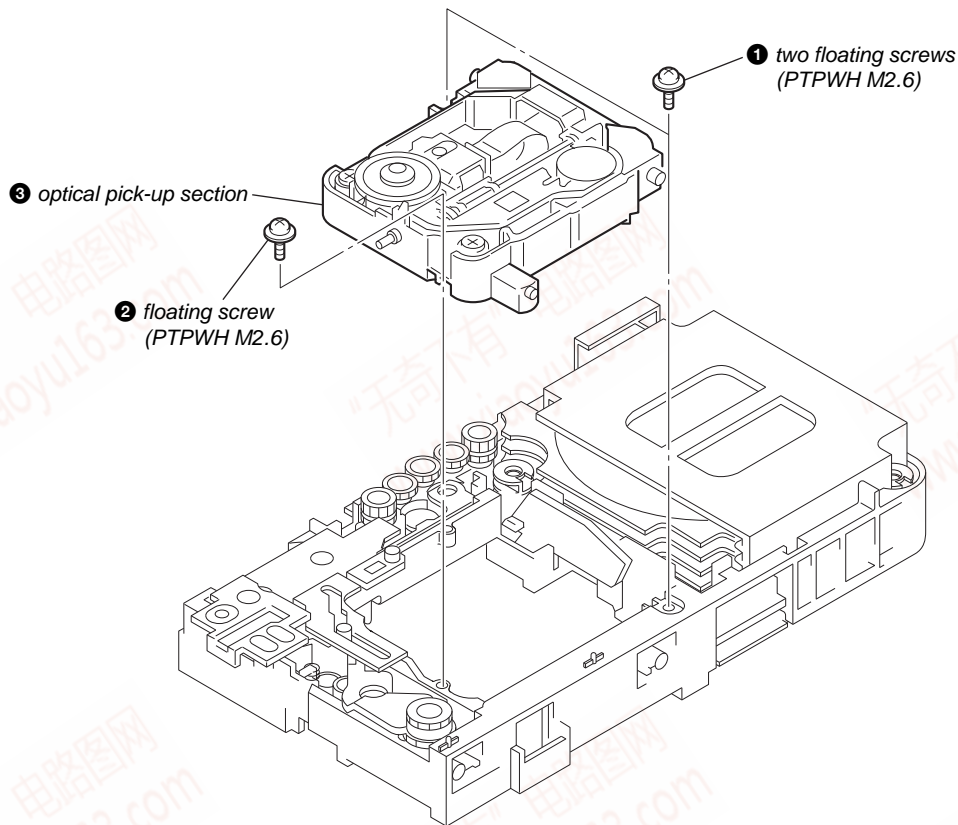
3-10. TRAY (MAIN) ASSY



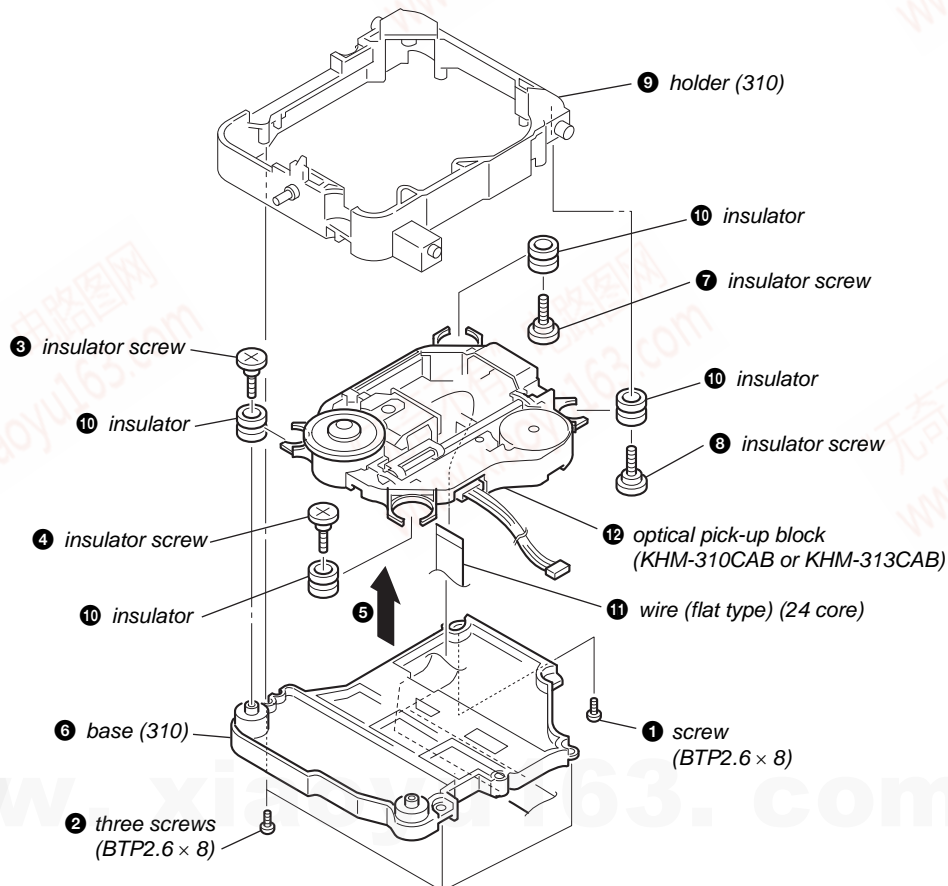
3-11. MOTOR BOARD



3-12. OPTICAL PICK-UP SECTION

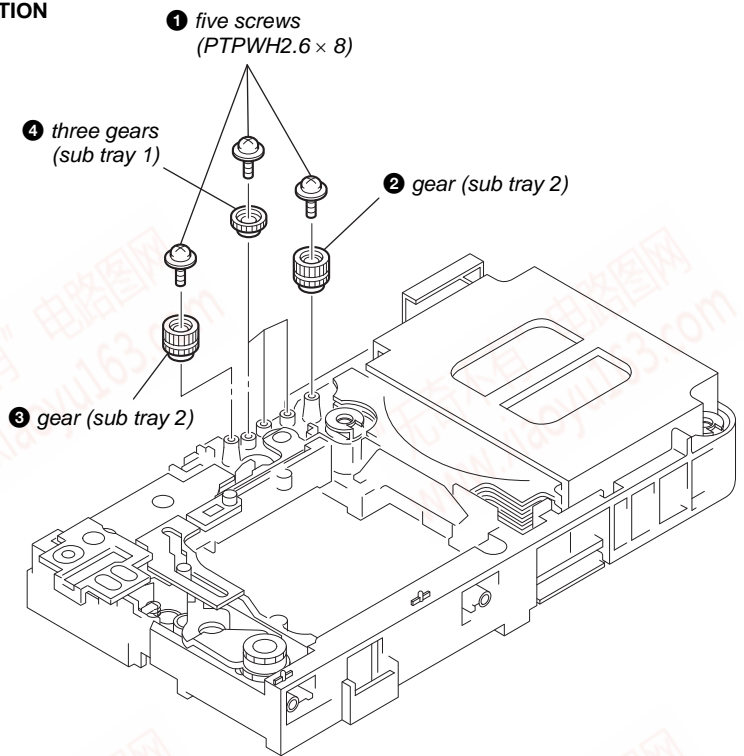
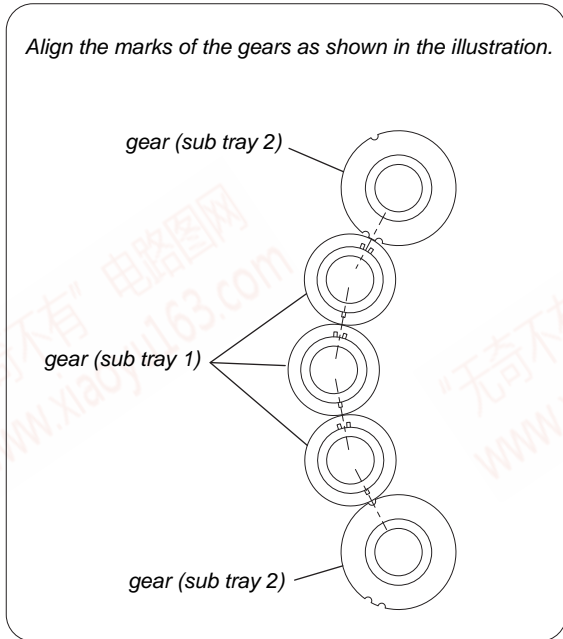


3-13. OPTICAL PICK-UP BLOCK (KHM-310CAB OR KHM-313CAB)



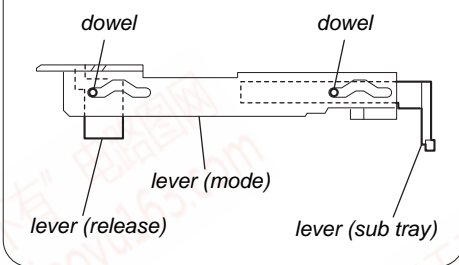
3-14. GEAR (SUB TRAY 1)/GEAR (SUB TRAY 2)

PRECAUTION DURING GEAR (SUB TRAY 1/2) INSTALLATION

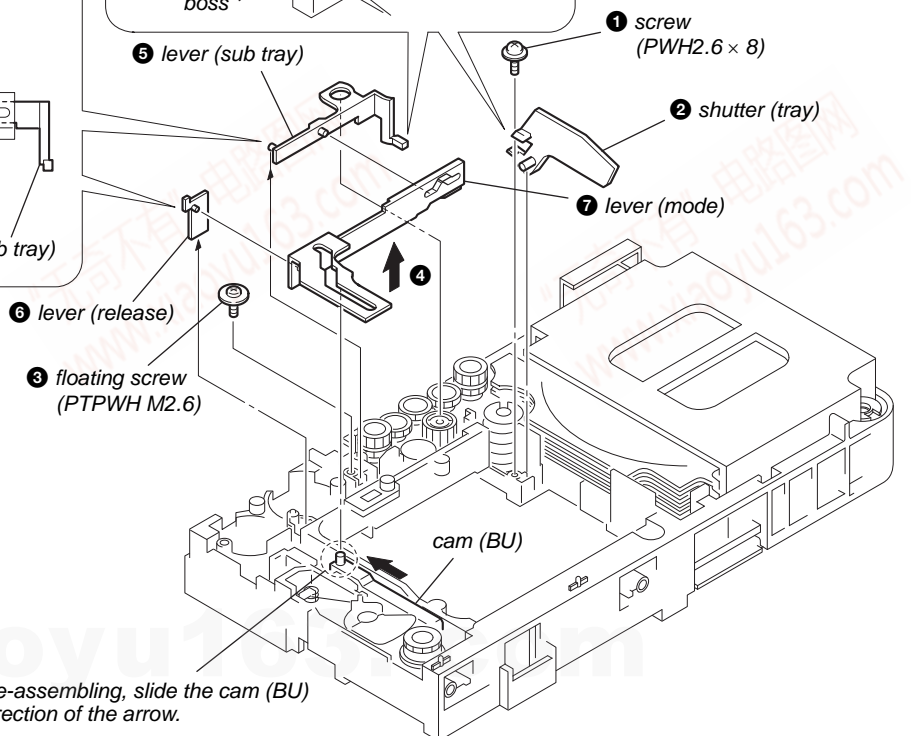
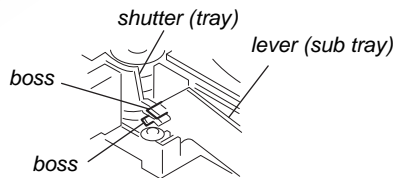


3-15. LEVER (MODE)

Before re-assembling, align the lever (release) and the lever (sub tray) with the lever (mode) as shown in the illustration.

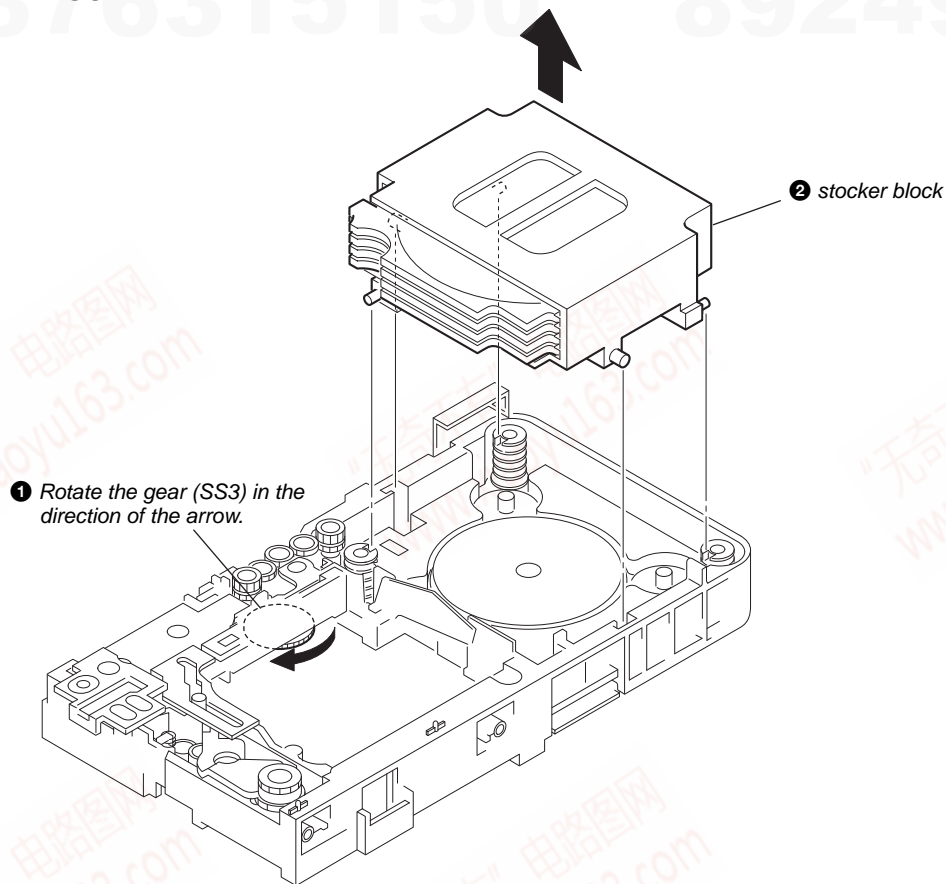


When re-assembling, insert the lever (sub tray) between the bosses of the shutter (tray).



Before re-assembling, slide the cam (BU) in the direction of the arrow.

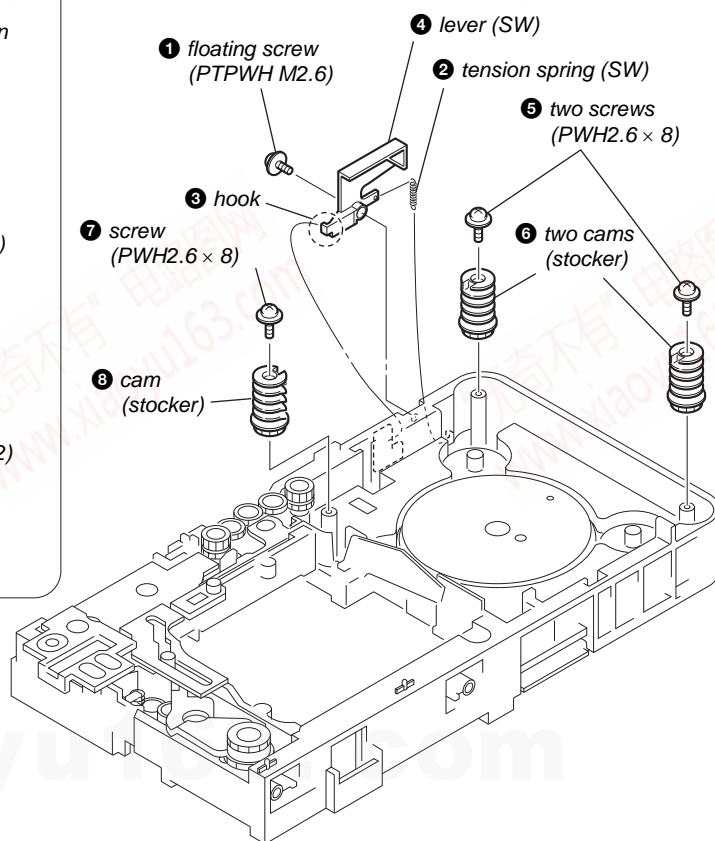
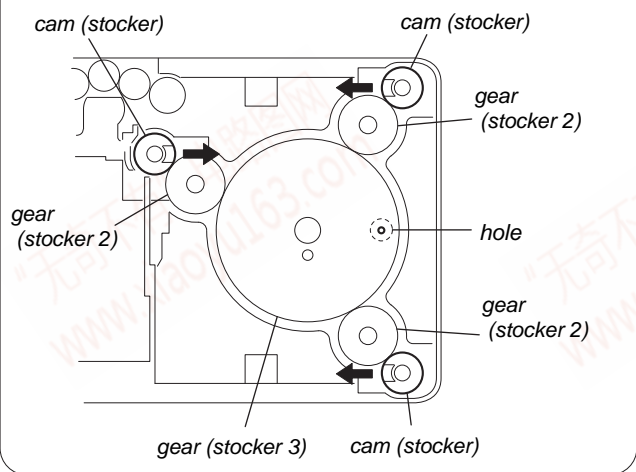
3-16. STOCKER BLOCK



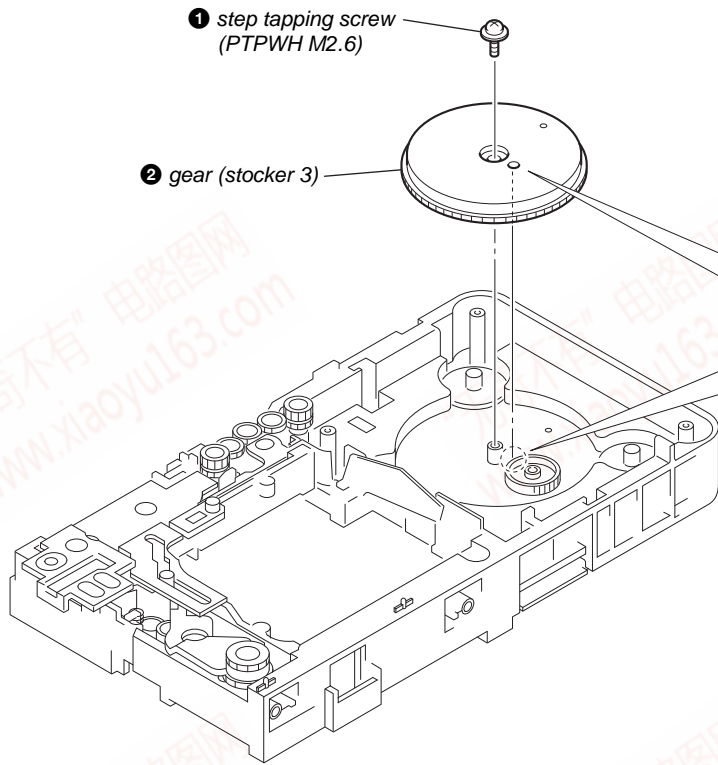
3-17. CAM (STOCKER)

PRECAUTION DURING CAM (STOCKER) INSTALLATION

Before installing the cams (stocker), fix the gear (stocker 3) in the manner so that the hole of the gear (stocker 3) should be aligned with the hole of the chassis located beneath the gear (stocker 3). Be sure to install the cams (stocker) in such a way that the grooves of the cams (stocker) face the direction of the arrows.

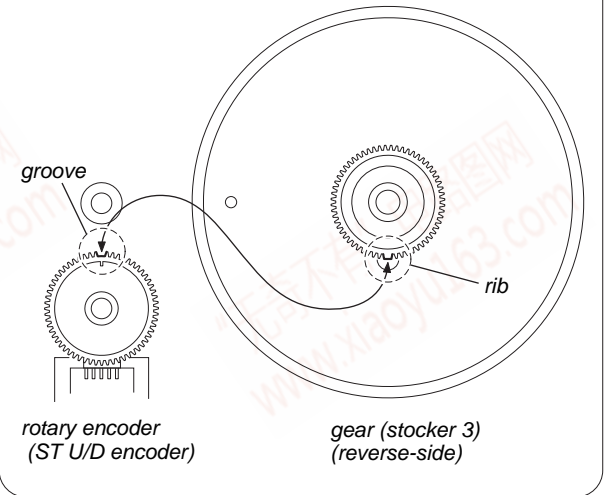


3-18. GEAR (STOCKER 3)



PRECAUTION DURING GEAR (STOCKER 3) INSTALLATION

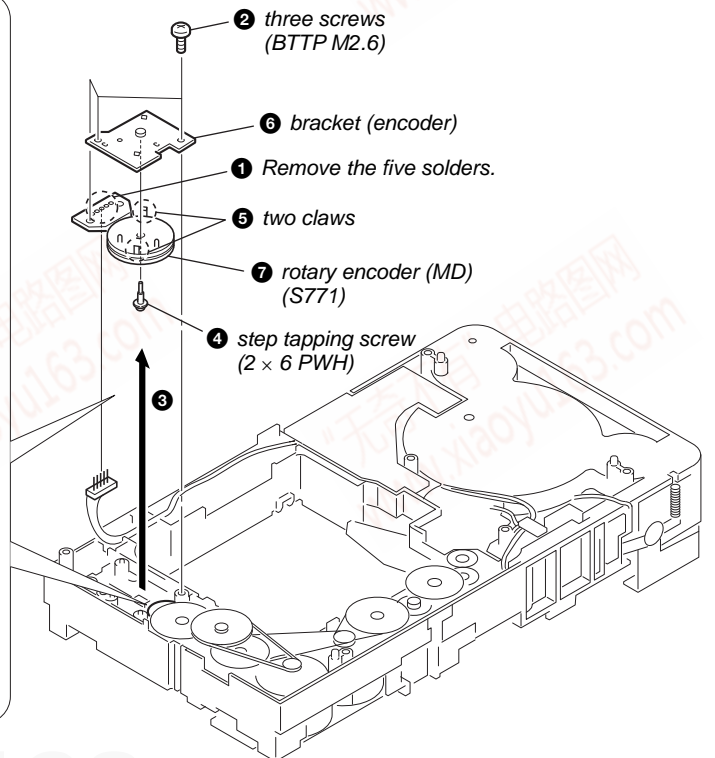
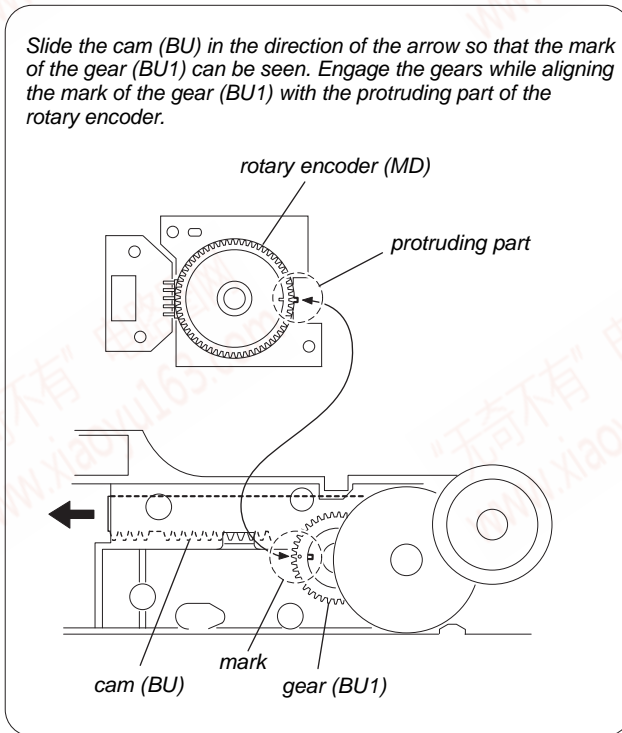
Be sure to align the rib of the gear (stocker 3) with the groove of the rotary encoder.



3-19. ROTARY ENCODER (MD) (S771)

PRECAUTION DURING ROTARY ENCODER (MD) INSTALLATION

Slide the cam (BU) in the direction of the arrow so that the mark of the gear (BU1) can be seen. Engage the gears while aligning the mark of the gear (BU1) with the protruding part of the rotary encoder.

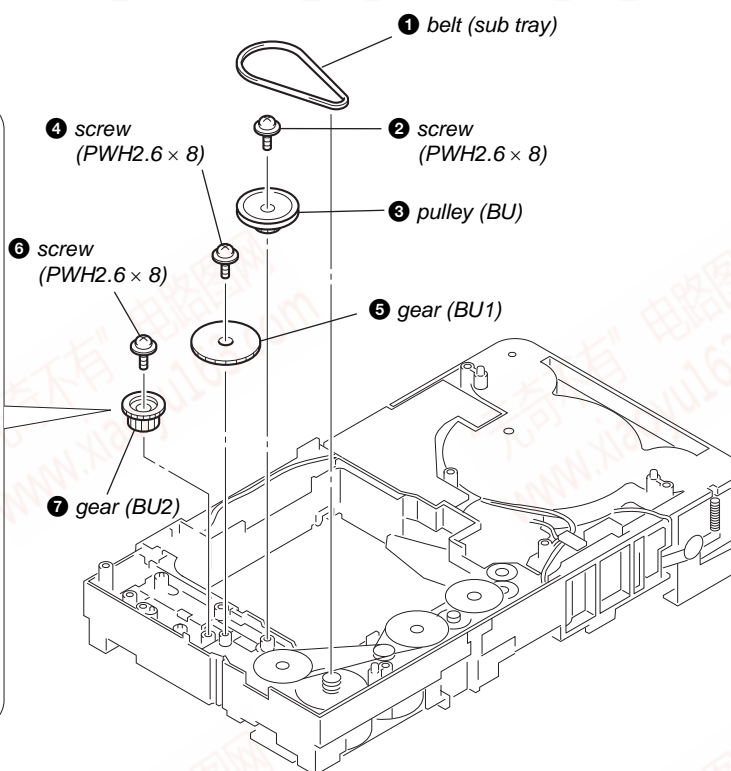
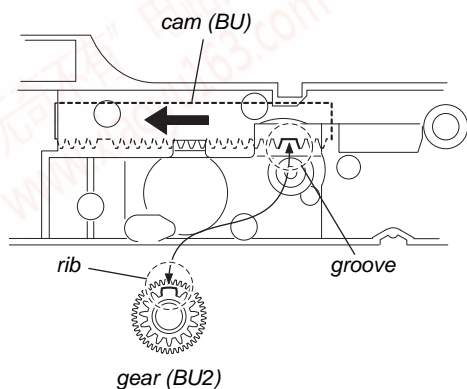


- CD mechanism deck bottom view -

3-20. GEAR (BU1)

PRECAUTION DURING GEAR (BU2) INSTALLATION

Before re-assembling, slide the cam (BU) in the direction of the arrow.
Assemble the gear (BU2) in such a manner that the groove of the cam (BU) is aligned with the rib of the gear (BU2).



- CD mechanism deck bottom view -

SECTION 4 TEST MODE

Note: Incorrect operations may be performed if the test mode is not entered properly. In this case, press the [I/⏻] button to turn the power off, and retry to enter the test mode.

COLD RESET

The cold reset clears all data including preset data stored in the RAM to initial conditions. Execute this mode when returning the set to the customers.

Procedure:

1. Press the [I/⏻] button to turn the power on.
2. Press three buttons [□], [⊞] and [I/⏻] simultaneously.
3. When this button is operated, display as “COLD RESET” for a while and all of the settings are reset.

PANEL TEST MODE

This mode is used to check the software version, FL, LED and KEY.

1. Display Test Mode

Procedure:

1. Press the [I/⏻] button to turn the power on.
2. Press three buttons [00], [⏪] and [⊞] simultaneously.
3. When the display test mode is activated, all segments are turned on.
4. To exit from this mode, press three buttons [00], [⏪] and [⊞] simultaneously.

2. Version Test Mode

Procedure:

1. When the display test mode is activated, press the [⏪] button and “DCR2” is displayed, the version test mode is activated.
2. Whenever the [⏪] button is pressed, the display changes in order of “DCR2” (model name) → “NA” (destination) → MC → SYS → UI → DVD → CDMA → CDMA → ST → TA → DSP → TM → CLA → CEC → SAIR → “DCR2” (model name).

Note: Model name/destination is different according to model.

3. Press the [▶▶] button and the date of the software production is displayed.
4. Press the [▶▶] button again and the version is displayed.
5. To exit from this mode, press three buttons [00], [⏪] and [⊞] simultaneously.

3. Key Test Mode

Procedure:

1. When the display test mode is activated, press the [▶] button, to select the key test mode.
2. To enter the KEY test mode, the fluorescent indicator displays “K0 V0”. Each time an another button is pressed, “KEY” value increases. However, once a button is pressed, it is no longer taken into account. When all keys are pressed correctly, “K13 V0” is displayed.
3. When the [VOLUME] dial is turned in the direction of (+), “V0” is changed to “V1”, then ... “V9”.
When the [VOLUME] dial is turned in the direction of (-), “V0” is changed to “V9”, then ... “V1”.
4. To exit from this mode, press three buttons [00], [⏪] and [⊞] simultaneously.

DISC TRAY LOCK

The disc tray lock function for the antitheft of an demonstration disc in the store is equipped.

Setting Procedure:

1. Press the [I/⏻] button to turn the set on.
2. Press the [FUNCTION] button to set DVD function.
3. Insert a disc.
4. Press the [□] button and the [⊞] button simultaneously for five seconds.
5. The message “LOCKED” is displayed and the tray is locked.

Releasing Procedure:

1. Press the [□] button and the [⊞] button simultaneously for five seconds again.
2. The message “UNLOCKED” is displayed and the tray is unlocked.

Note: When “LOCKED” is displayed, the tray lock is not released by turning power on/off with the [I/⏻] button.

DVD SHIP MODE

Use this mode when returning the set to the customer after repair.

Procedure:

1. Press the [I/⏻] button to turn the set on.
2. Press the [FUNCTION] button to set the function “DVD”.
3. Remove all discs, and then press two buttons [▶] and [I/⏻] simultaneously.
4. After a message “MECHA LOCK” ⇔ “UNPLAG” is displayed on the fluorescent indicator tube, pull out the AC plug.
5. To exit from this mode, press the [I/⏻] button to turn the set on.

AM STEP CHANGE

A step of AM channels can be changed over between 9 kHz and 10 kHz.

Procedure:

1. Press the [I/⏻] button to turn the set ON.
2. Press the [FUNCTION] button to set the function “TUNER AM”.
3. Press the [I/⏻] button to turn the set OFF.
4. Press two buttons [▶▶] and [I/⏻] simultaneously, and the display of fluorescent indicator tube changes to “AM 9k STEP” or “AM 10k STEP”, and thus the channel step is changed over.

PRODUCT OUT

This mode moves the optical pick-up to the position durable to vibration and clears all data including preset data stored in the RAM to initial conditions. Use this mode when returning the set to the customer after repair.

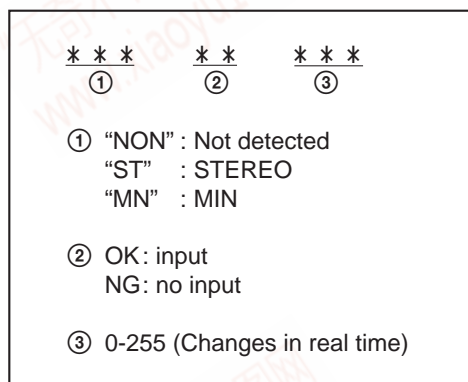
Procedure:

1. Press the [I/⏻] button to turn the power on.
2. Press the [FUNCTION] button to set the function “DVD”.
3. Remove all discs, and then press three buttons [▶▶], [⊞] and [I/⏻] simultaneously.
4. After the “STANDBY” blinking display finishes, the message “MECHA LOCK” ⇔ “UNPLAG” is displayed on the fluorescent indicator tube disconnect the AC power plug, then the ship mode is set.

AUTOMATIC ACOUSTIC FIELD CALIBRATION MICROPHONE TEST MODE

Procedure:

1. Press the [I/⏻] button to turn the power on.
2. Insert ECM-AC2 supplied as an accessory into the AUDIO IN/A.CAL MIC jack.
3. While pressing the [00] and [⏸] buttons simultaneously, turn the [VOLUME] dial in the direction of (+).
4. Confirm that the following are shown on the display panel.
 - ① The JACK inserted/non-inserted detection display and the STEREO/MONO detection display.
 - ② Presence of DIGITAL voice input to the microcomputer. (OK: input, NG: no input)
 - ③ The value of the MIC input to the microcomputer. (shown "255h")



5. To exit this mode, press two buttons [00] and [⏸] simultaneously, turn the [VOLUME] dial in the direction of (+).

DEMO PLAY OUT

It is a mode to release the demonstration reproduct by the dedicated demonstration disc.

Procedure:

1. During playback the DEMO disc, press the [□] and [▷] buttons for five seconds simultaneously.
2. The message "DEMO OFF" is displayed, a mode to reproduct the demonstration is released.

VOLUME TEST MODE

Procedure:

1. Press the [I/⏻] button to turn the power on.
2. Press three buttons [◀◀], [▷] and [▶▶] simultaneously.
3. The message "VOLUME MAX" is displayed, when the [VOLUME] dial is turned in the direction of (+).
The message "VOLUME MIN" is displayed, when the [VOLUME] dial is turned in the direction of (-).
4. To exit from this mode, press the [I/⏻] button to turn the set off.

PROTECTION FACTOR (SD DETECTION/DC DETECTION) IDENTIFICATION TEST MODE

When an error is detected, the florescent indicator tube alternately displays

"PROTECTOR" ↔ "PUSH POWER".

- ↓ Press the [I/⏻] button.
* Buttons other than the [I/⏻] button are invalid.
"STANDBY" blinks three times on the florescent indicator tube.

↓
The protection release state (POWER OFF) is established. (No florescent indicator tube display)

↓ Press the [I/⏻] button twice.

↓
The power to the system turns on, and the normal operation is established. (Restore)

During the protection state:

1. If the AC plug is connected or disconnected during the protection state, the protection state is released, and the normal operation is established. (The protection state is not maintained)
2. The protection factor is displayed by pressing the [FUNCTION], [⏸] and [▶▶] buttons at the same time during the protection state. (during the "PROTECTOR" ↔ "PUSH POWER" display)
 - When SD is detected: Repeats "SD DETECT" ↔ "PROTECTOR".
 - When DC is detected: Repeats "DC DETECT" ↔ "PROTECTOR".

SD detection:

When the "L" output from the SD (shutdown) port on the S-MASTER POWER Driver Shutdown and voltage descent (15V or less) of 30V power supply (PVDD) are detected.

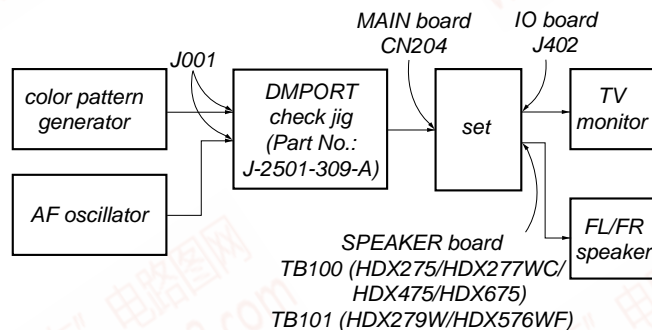
DC detection:

When the "L" output from the power/speaker error detection circuit (DC detection port) is detected for two seconds continually, the power system other than that of the florescent indicator tube is turned off, and the protection state is established.

DIGITAL MEDIA PORT TEST

Procedure:

1. Connect the DMPORT CHECK JIG (Part No.: J-2501-309-A) with the terminal DMPORT.
2. Press the [I/⏻] button to turn the power on.
3. Confirm that both LEDs of the DMPORT confirmation JIG lights. (Confirmation the power supply line.)
4. Set the [FUNCTION] button with "DMPORT" on this model.
5. Press the [00], [◀◀] buttons and turn the [VOLUME] control in the direction of (+) simultaneously, the DMPORT test mode is activated.
6. It is confirmed that "DMPORT OK" is displayed on this set display. (Confirmation of communication line)
7. To a pinjack of the DMPORT confirmation JIG input information relevant to audio signal (sine-wave 1.0Vrms) and composite video signal (white 100% 1.0 Vp-p, color bar, etc.)
8. Confirm the output of speakers and monitor TV. (Confirmation of analog signal)
9. To exit from this mode, press the [00], [◀◀] buttons and turn the [VOLUME] control in the direction of (+).



DVD SECTION

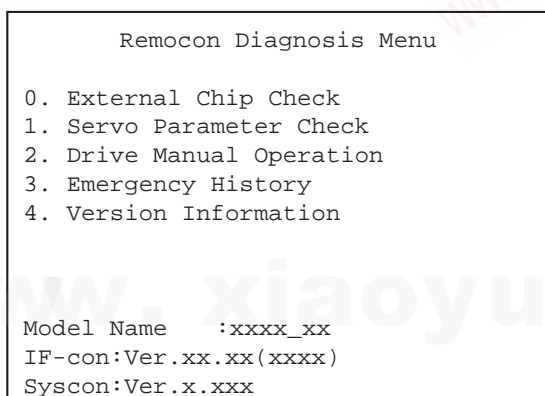
1. DVD SERVICE MODE GENERAL DESCRIPTION

This mode let you make diagnosis and adjustment easily by using the remote commander and the TV screen. The instructions, diagnostic results, etc. are given on the on-screen display. Be sure to execute the IOP measurement when a base unit is replaced.

2. ENTERING DVD SERVICE MODE

Procedure:

1. Press the [I/⏻] button to turn on the system.
2. Press the [FUNCTION] button repeatedly to select the "DVD".
3. While pressing the [□] and [≡] buttons simultaneously, turn [VOLUME] dial in the direction of (+) with the DVD player in power on.
4. The message "SERVICE IN" appears on the fluorescent indicator tube and top menu of the Remocon Diagnosis Menu appears on the on-screen display on the TV screen as follows. The model name, IF-con version and Syscon version are displayed at the bottom of the on-screen display.



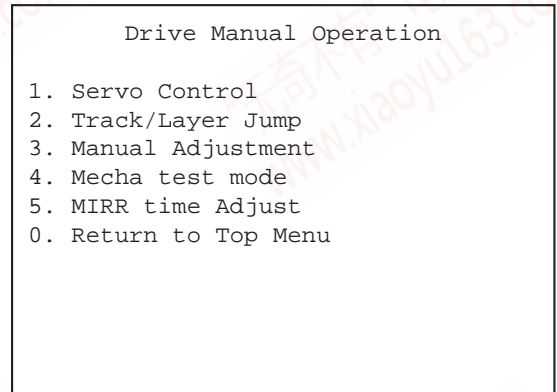
5. To execute each function, press its number by using numeric button on the remote commander.
6. To release from this mode, press the [I/⏻] button to turn off the system.

3. EXECUTING IOP MEASUREMENT

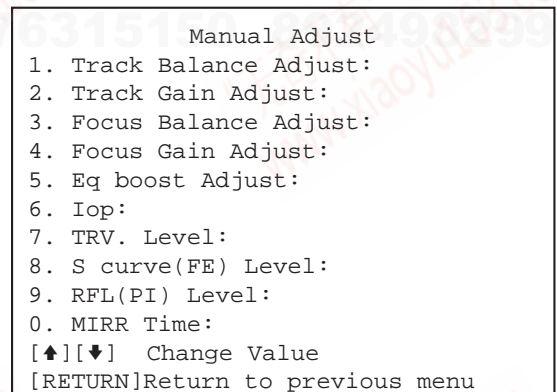
In order to execute IOP measurement, the following standard procedures must be followed.

Procedure:

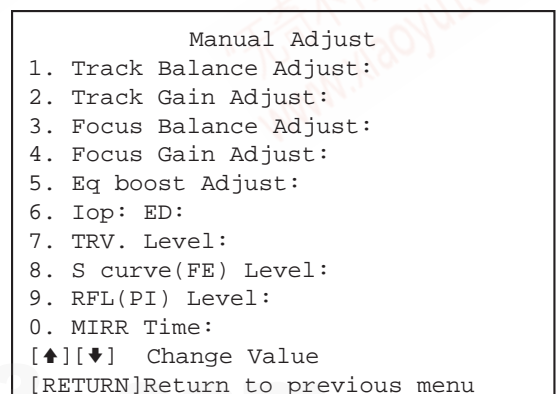
1. From the top menu of Remocon Diagnosis Menu, select "2 Drive Manual Operation" by pressing the [2] button on the remote commander. The following screen appears on the on-screen display



2. Select "3. Manual Adjustment" by pressing the [3] button on the remote commander. The following screen appears on the on-screen display.



3. Select "6. Iop:" by pressing [6] button on the remote commander.
4. Wait until a hexadecimal number appear in the on-screen display as below.



5. Convert data from hexadecimal to decimal by using conversion table.

6. If the value is smaller than 93 (decimal), then it is OK. However if the value is higher than 93, then BU (base unit) is defective and need to be change.
7. Press the [↶] RETURN] button on the remote commander to return to previous menu.
8. Press the [0] button on the remote commander to return to the top menu of Remocon Diagnosis Menu.
9. Press the [I/O] button to turn off the system.

4. CHECKING EMERGENCY HISTORY

To check the emergency history, please follow the following procedure.

Procedure:

1. From the top menu of Remocon Diagnosis Menu, select "3. Emergency History" by pressing the [3] button on the remote commander. The following screen appears on the on-screen display.

Emg. History Check				
Laser	Hours	CD	999h	59min
		DVD	999h	59min
01.	01 05 04 04		00 92 46 00	
	00 00 00 00		00 00 23 45	
02.	02 02 01 01		00 A9 4B 00	
	00 00 00 00		00 00 23 45	
[Next]Next page [Prev]Prev page				
[0]Return to Top Menu				

2. You can check the total time when the laser is turned on during playback of DVD and CD from the above menu. The maximum time, which can be displayed are 999h 59min.
3. You can check the error code of latest 10 emergency history from the above menu. To view the previous or next page of emergency history, press the [◀◀] or [▶▶] button on the remote commander. The error code consists of three kinds of error codes.

A. Error code

Example of Error code				
01.	01 05 04 04		00 92 46 00	
	00 00 00 00		00 00 23 45	

The meaning of error code is as below:

- 01: Communication error (No reply from syscon)
- 02: Syscon hung up
- 03: Power OFF request when syscon hung up
- 19: Thermal shutdown
- 24: MoveSledHome error
- 25: Mechanical move error (5 changer)
- 26: Mechanical move stack error
- 30: DC motor adjustment error
- 31: DPD offset adjustment error
- 32: TE balance adjustment error
- 33: TE sensor adjustment error
- 34: TE loop gain adjustment error
- 35: FE loop gain adjustment error
- 36: Bad jitter after adjustment
- 40: Focus NG
- 42: Focus layer jump NG
- 51: Spindle stop error
- 52: Open kick spindle error

- 60: Focus on error
- 61: Seek fail error
- 62: Read Q data/ID error
- 70: Lead in data read fail
- 71: TOC read time out (CD)
- 80: Can't buffering
- 81: Unknown media type

B. Parameter of error code

This is the detail of error code.

Example of Error code				
01.	01 05 04 04		00 92 46 00	
	00 00 00 00		00 00 23 45	

C. Time of error code

This is the laser time when an error occurred.

Example of Error code				
01.	01 05 04 04		00 92 46 00	
	00 00 00 00		00 00 23 45	

To Clear the Laser Hour

Press the [☐] DISPLAY] button on the remote commander and then press the [CLEAR] button on the remote commander. The data for both CD and DVD data are reset.

Emg. History Check				
Laser	Hours	CD	0h	0min
		DVD	0h	0min
01.	01 05 04 04		00 92 46 00	
	00 00 00 00		00 00 23 45	
02.	02 02 01 01		00 A9 4B 00	
	00 00 00 00		00 00 23 45	
[Next]Next page [Prev]Prev page				
[0]Return to Top Menu				

To Clear the Emergency History

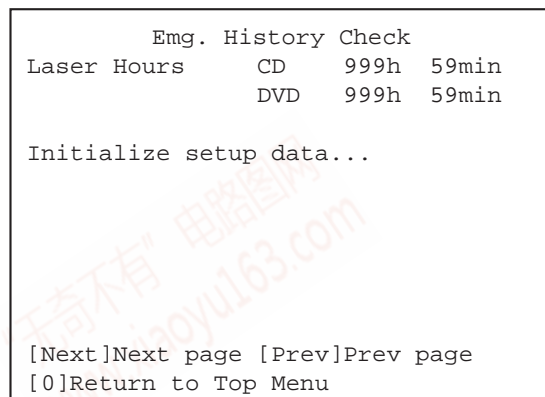
Press the [DVD TOP MENU] button on the remote commander and then press the [CLEAR] button on the remote commander. The error code for all emergency history would be reset.

Emg. History Check				
Laser	Hours	CD	999h	59min
		DVD	999h	59min
01.	00 00 00 00		00 00 00 00	
	00 00 00 00		00 00 00 00	
02.	00 00 00 00		00 00 00 00	
	00 00 00 00		00 00 00 00	
[Next]Next page [Prev]Prev page				
[0]Return to Top Menu				

SECTION 5
ELECTRICAL ADJUSTMENTS

To Execute the Initialize Setup Data Procedure:

1. Press the [DVD MENU] button on the remote commander and then press the [CLEAR] button on the remote commander. The following screen appears on the on-screen display.



2. The screen after a while returns to former display.

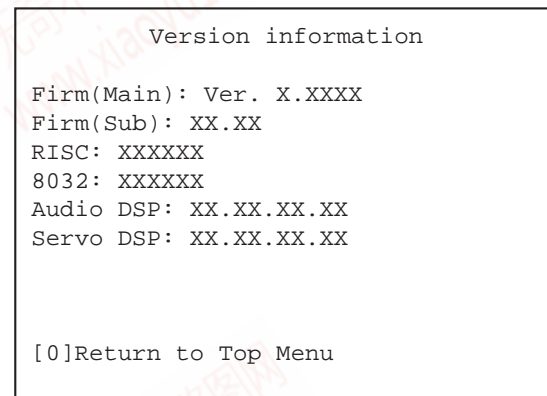
To Return to the Top Menu of Remocon Diagnosis Menu
Press the [0] button on the remote commander.

5. CHECKING VERSION INFORMATION

To check the version information, please follow the following procedure.

Procedure:

1. From the top menu of Remocon Diagnosis Menu, select "4. Version Information" by pressing the [4] button on the remote commander. The following screen appears on the on-screen display.



2. To return to the top menu of Remocon Diagnosis Menu, press the [0] on the remote commander.

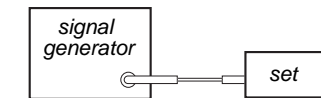
DVD SECTION

When the base unit is replaced, perform the adjustment and the measurement as shown below in this order.

EXECUTING IOP MEASUREMENT (See page 25)

TUNER SECTION

FM TUNE LEVEL CHECK



Procedure:

1. Turn on the set.
2. Input the following signal from signal generator to FM antenna input directly.

Carrier frequency: A = 87.5 MHz, B = 98 MHz, C = 108 MHz
Deviation : 75 kHz
Modulation : 1 kHz
ANT input : 35 dBu (EMF)

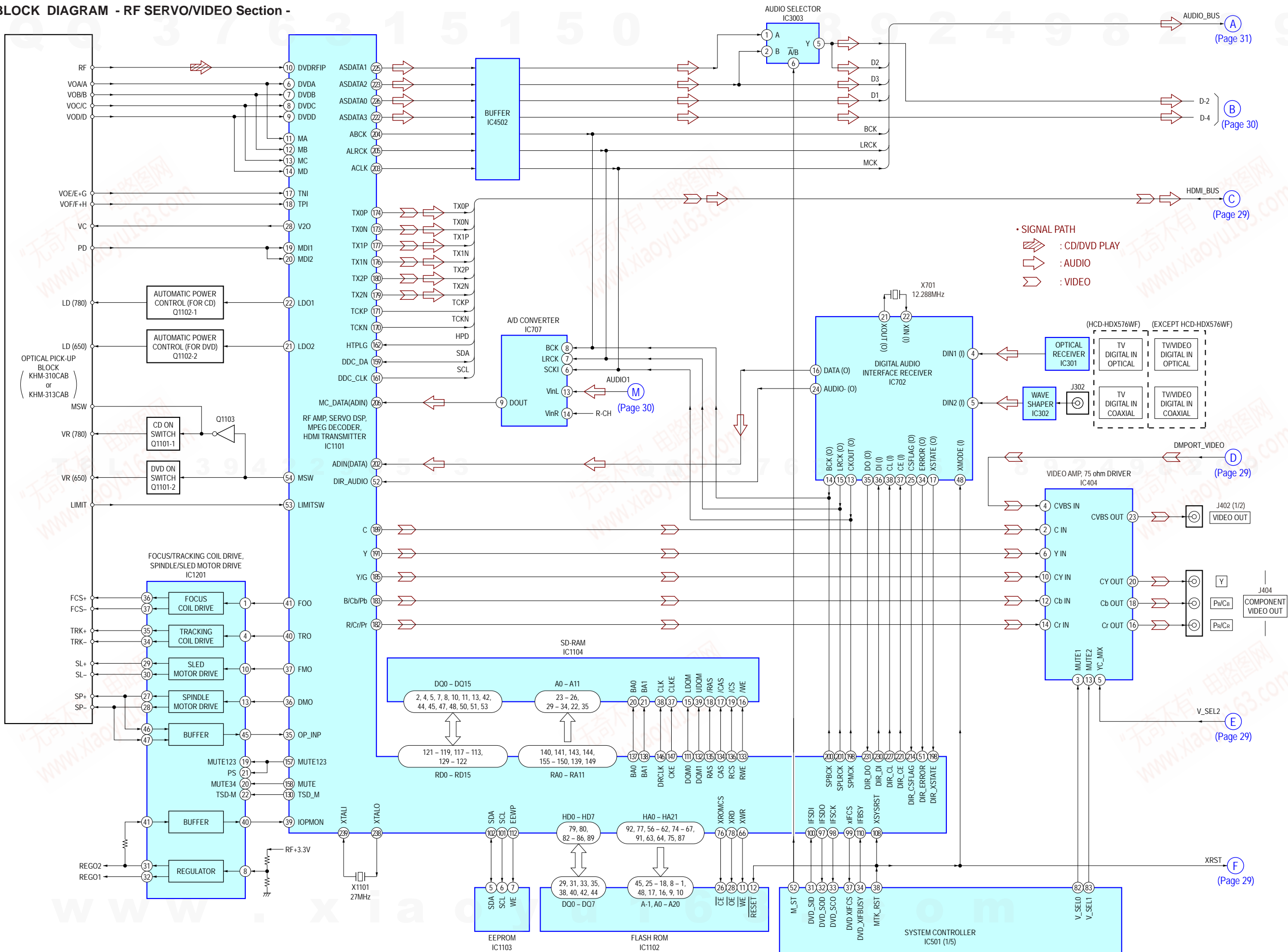
Note: Use 75 ohm coaxial cable to connect signal generator and the set.
You cannot use video cable for checking.
Use signal generator whose output impedance is 75 ohm.

3. Set to FM tuner function and tune A, B and C signals.
4. Confirm "TUNED" is lit on the display for A, B and C signals.

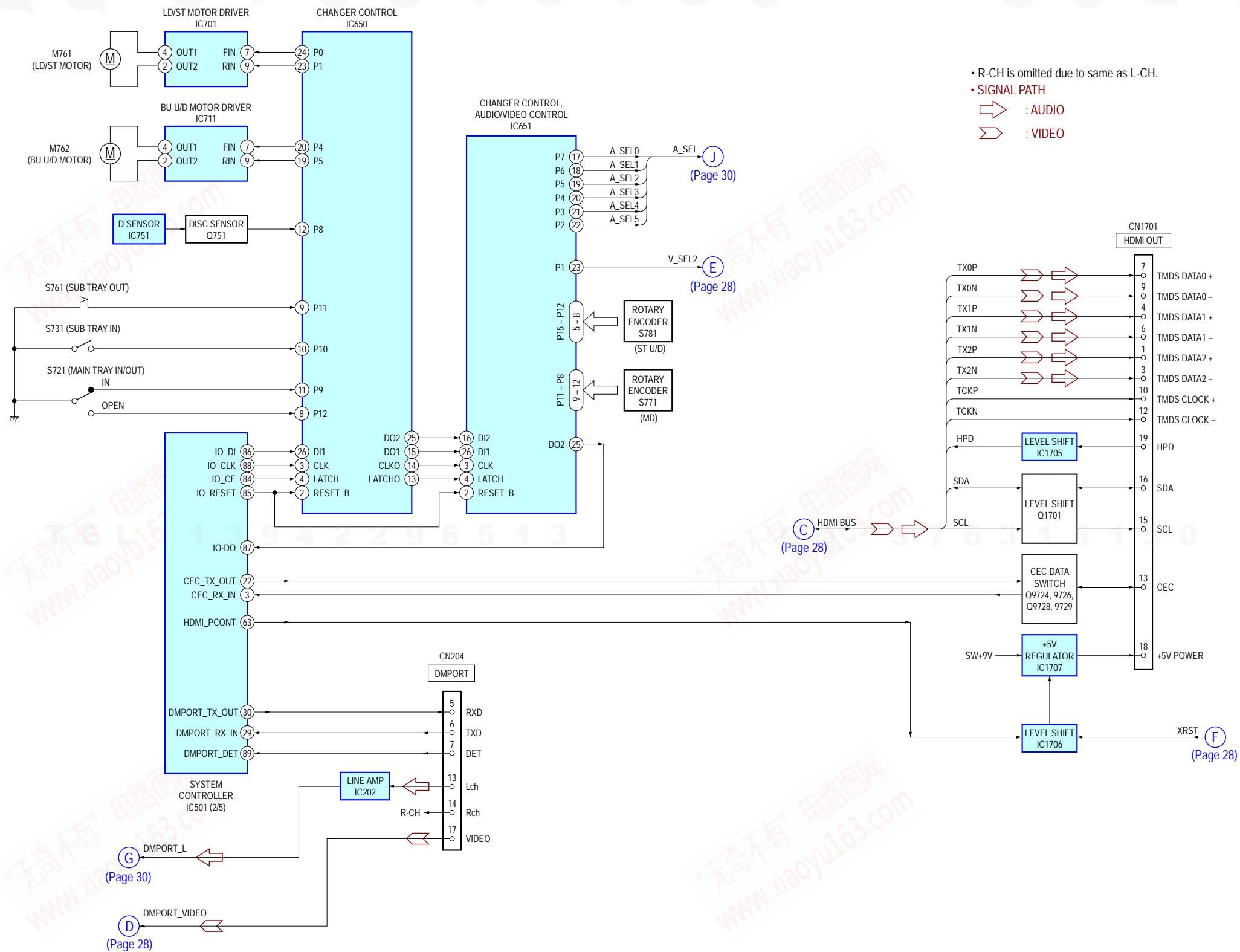
When the selected station signal is received in good condition, "TUNED" is displayed.

SECTION 6
DIAGRAMS

6-1. BLOCK DIAGRAM - RF SERVO/VIDEO Section -



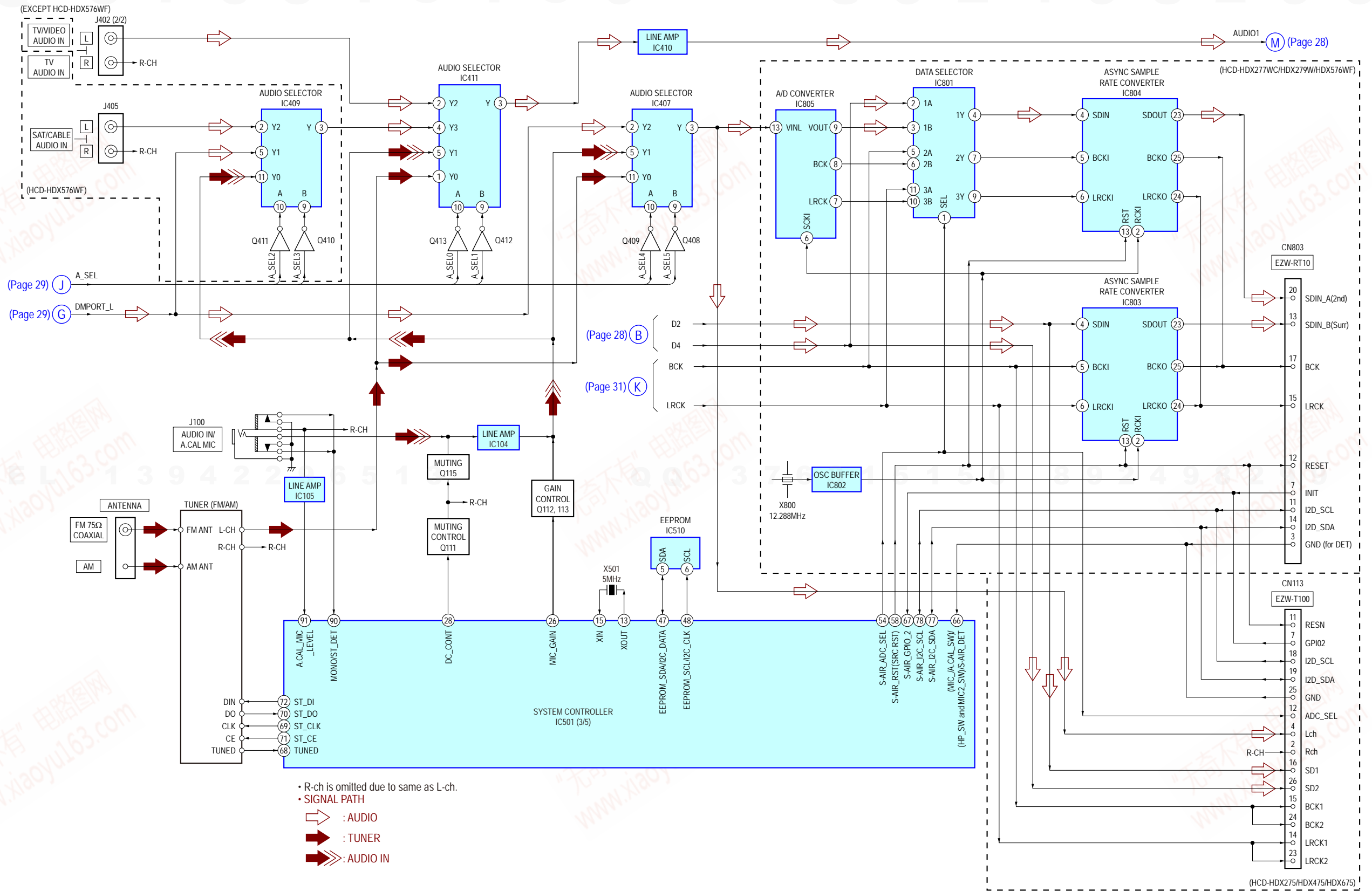
6-2. BLOCK DIAGRAM - CHANGER/HDMI/DMPORT Section -



TEL 13942296513 QQ 376315150 892498299

TEL 13942296513 QQ 376315150 892498299

6-3. BLOCK DIAGRAM - TUNER/S-AIR Section -

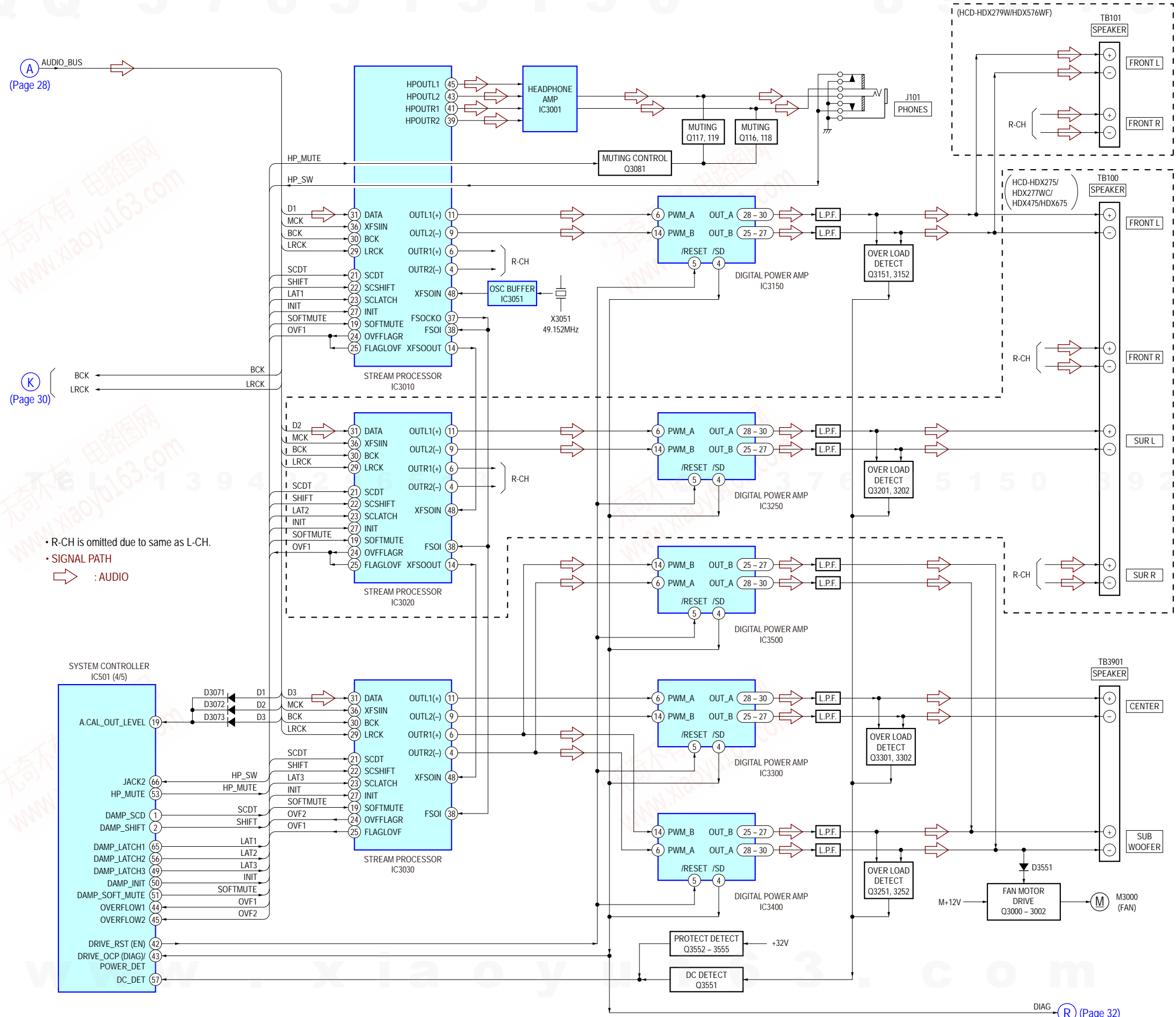


6-4. BLOCK DIAGRAM - AMP Section -

(A) AUDIO_BUS (Page 28)

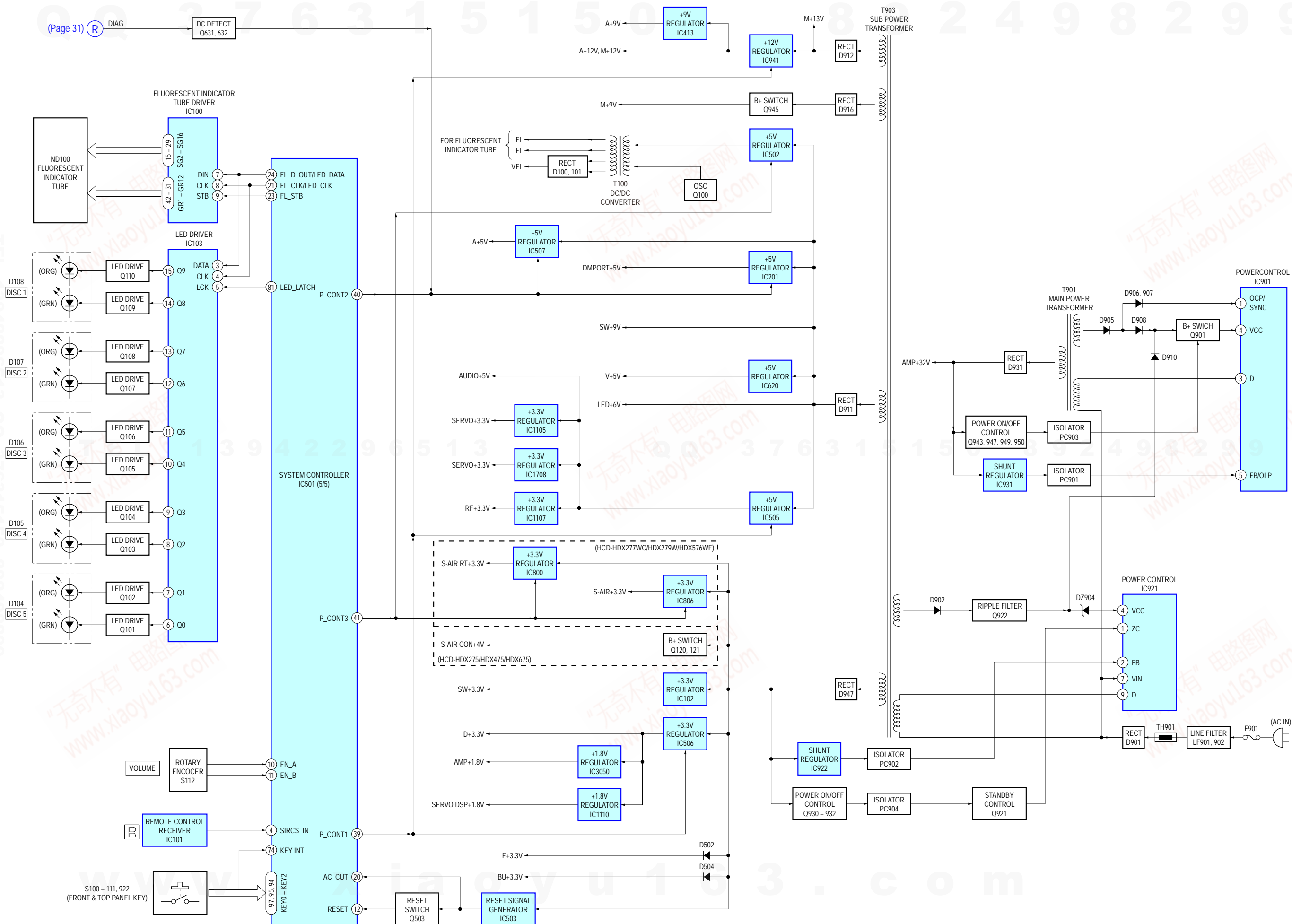
(K) BCK LRCK (Page 30)

(R) DIAG (Page 32)



- R-CH is omitted due to same as L-CH.
- SIGNAL PATH
- ➡ : AUDIO

6-5. BLOCK DIAGRAM - PANEL/POWER SUPPLY Section -



THIS NOTE IS COMMON FOR PRINTED WIRING BOARDS AND SCHEMATIC DIAGRAMS.
(In addition to this, the necessary note is printed in each block.)

For Printed Wiring Boards.

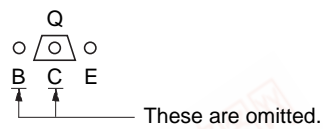
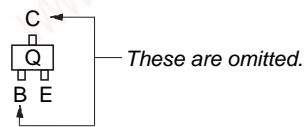
Note:

- : Parts extracted from the component side.
- : parts extracted from the conductor side.
- △: internal component.
- : Pattern from the side which enables seeing.
(The other layers' patterns are not indicated.)

Caution:

Pattern face side: Parts on the pattern face side seen from the pattern face are indicated.
Parts face side: Parts on the parts face side seen from the parts face are indicated.

- MAIN board is multi-layer printed board. However, the patterns of intermediate layers have not been included in diagrams.
- Indication of transistor.



For Schematic Diagrams.

Note:

- All capacitors are in μF unless otherwise noted. (p: pF) 50 WV or less are not indicated except for electrolytics and tantalums.
- All resistors are in Ω and 1/4 W or less unless otherwise specified.
- △: internal component.
- ⊞: nonflammable resistor.
- ⊞: fusible resistor.
- : panel designation.

Note:

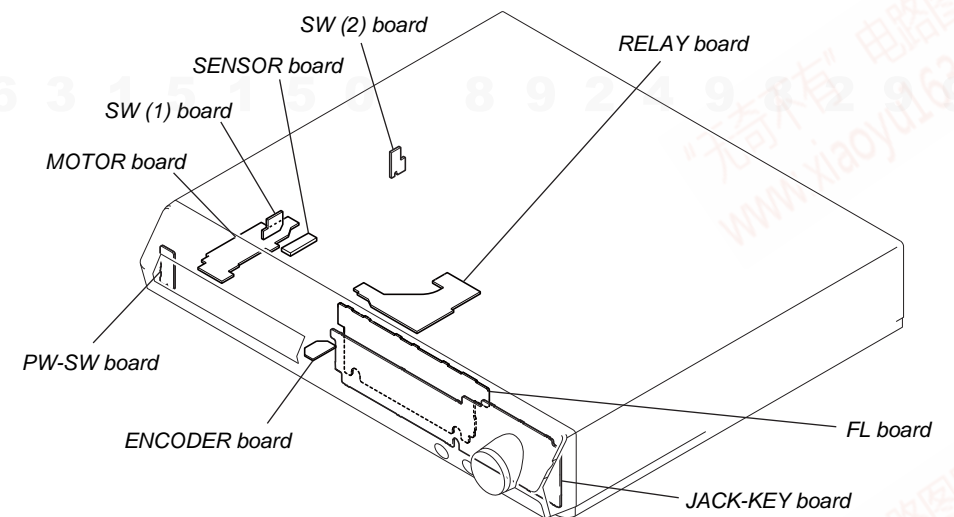
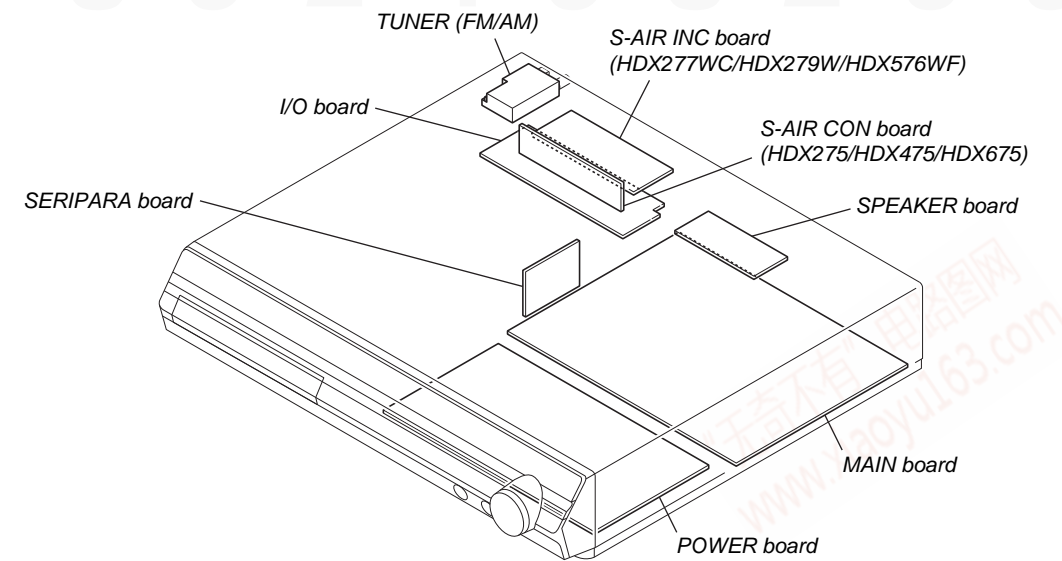
The components identified by mark △ or dotted line with mark △ are critical for safety. Replace only with part number specified.

Note:

Les composants identifiés par une marque △ sont critiques pour la sécurité. Ne les remplacer que par une pièce portant le numéro spécifié.

- : B+ Line.
- - -: B- Line.
- Voltages and waveforms are dc with respect to ground under no-signal conditions.
no mark: TUNER
(): DVD PLAY
- Voltages are taken with VOM (Input impedance 10 M Ω). Voltage variations may be noted due to normal production tolerances.
- Waveforms are taken with a oscilloscope. Voltage variations may be noted due to normal production tolerances.
- Circled numbers refer to waveforms.
- Signal path.
⇒: AUDIO
⇒: CD/DVD PLAY
⇒: TUNER
⇒: AUDIO IN
⇒: VIDEO
- Abbreviation
AUS : Australian model
E3 : 240V AC area in E model

• Circuit Boards Location



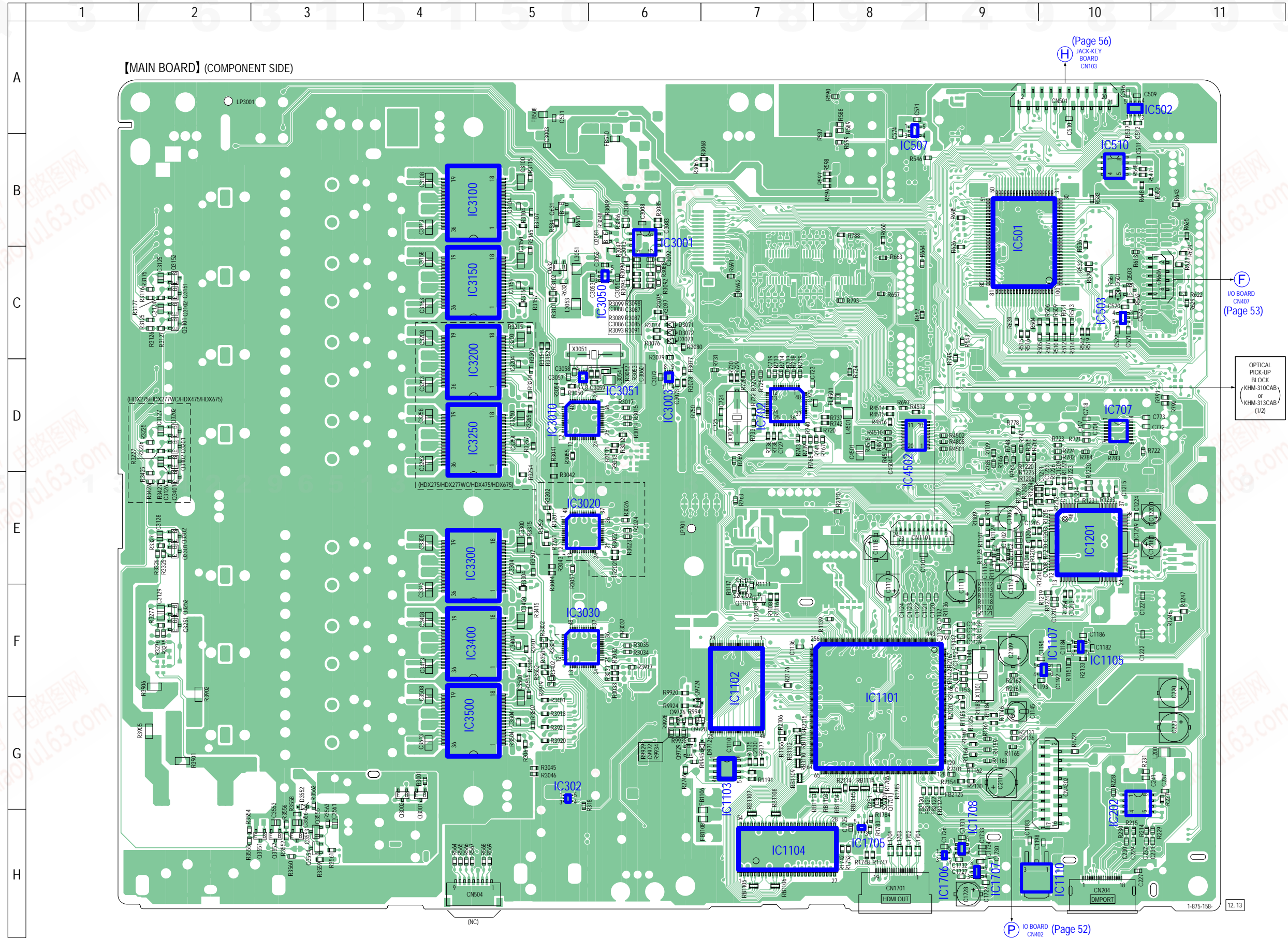
TEL 13942296513 QQ 376315150 892498299

TEL 13942296513 QQ 376315150 892498299

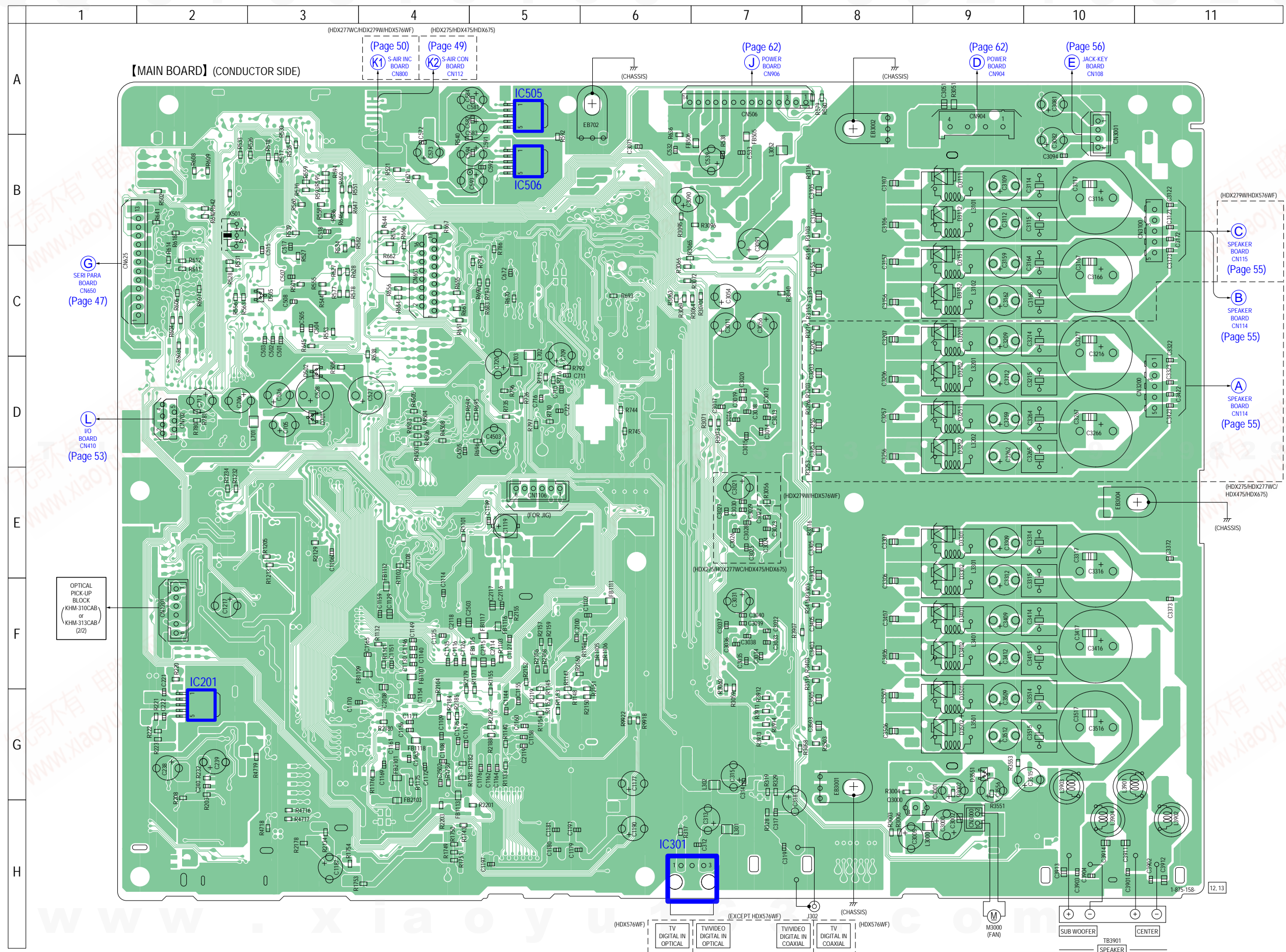
6-6. PRINTED WIRING BOARD - MAIN Board (Component Side) - • See page 33 for Circuit Boards Location. •  : Uses unleaded solder.

• Semiconductor Location

Ref. No.	Location
D501	C-10
D3071	C-6
D3072	C-6
D3073	C-6
D3552	G-3
D9712	G-7
IC202	G-10
IC302	G-5
IC501	B-9
IC502	A-10
IC503	C-10
IC507	A-8
IC510	B-10
IC702	D-7
IC707	D-10
IC1101	G-8
IC1102	F-7
IC1103	G-7
IC1104	H-7
IC1105	F-10
IC1107	F-10
IC1110	H-9
IC1201	E-10
IC1705	H-8
IC1706	H-9
IC1707	H-9
IC1708	H-9
IC3001	B-6
IC3003	D-6
IC3010	D-5
IC3020	E-5
IC3030	F-5
IC3050	C-6
IC3051	D-5
IC3100	B-4
IC3150	C-4
IC3200	D-4
IC3250	D-4
IC3300	E-4
IC3400	F-4
IC3500	G-4
IC4502	D-8
Q503	C-10
Q631	B-5
Q632	C-5
Q1101	F-7
Q1102	E-9
Q1103	F-7
Q1701	G-8
Q3000	G-4
Q3001	G-4
Q3081	B-6
Q3101	C-2
Q3102	C-2
Q3151	C-2
Q3152	C-2
Q3201	D-2
Q3202	D-2
Q3251	F-2
Q3252	F-2
Q3301	E-2
Q3302	E-2
Q3401	E-2
Q3402	D-2
Q3551	H-3
Q3552	H-3
Q3553	H-3
Q3554	H-3
Q3555	H-3
Q9724	G-6
Q9726	G-6
Q9728	G-6
Q9729	G-6



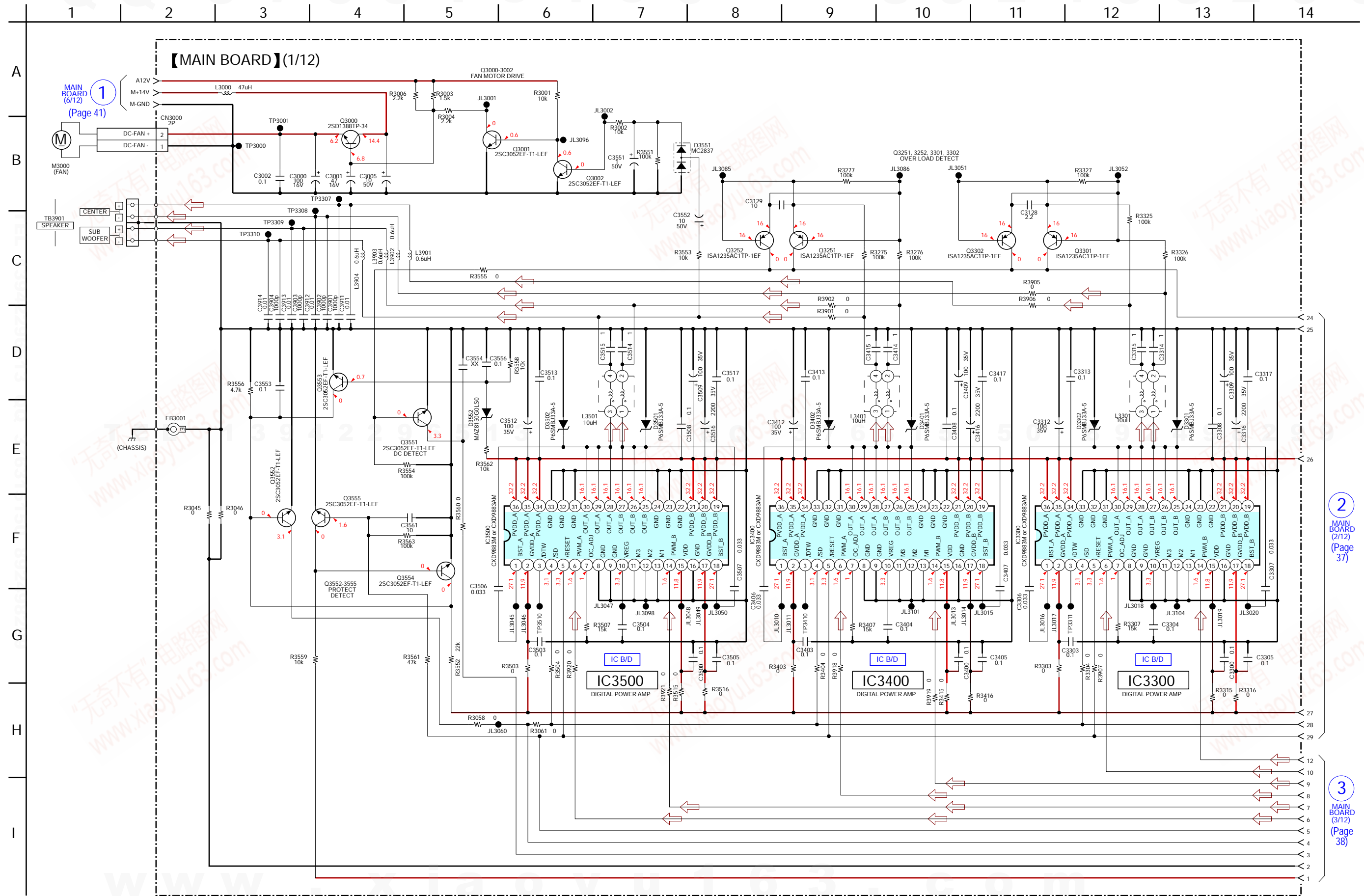
6-7. PRINTED WIRING BOARD - MAIN Board (Conductor Side) - • See page 33 for Circuit Boards Location. • : Uses unleaded solder.



• Semiconductor Location

Ref. No.	Location
D502	D-2
D505	C-3
D701	D-2
D3111	B-9
D3112	B-9
D3151	C-9
D3152	C-9
D3201	C-9
D3202	D-9
D3251	D-9
D3252	D-9
D3301	E-9
D3302	E-9
D3401	F-9
D3402	F-9
D3501	G-9
D3502	G-9
D3551	G-9
IC201	G-2
IC301	H-7
IC505	A-5
IC506	B-5
Q3002	H-9

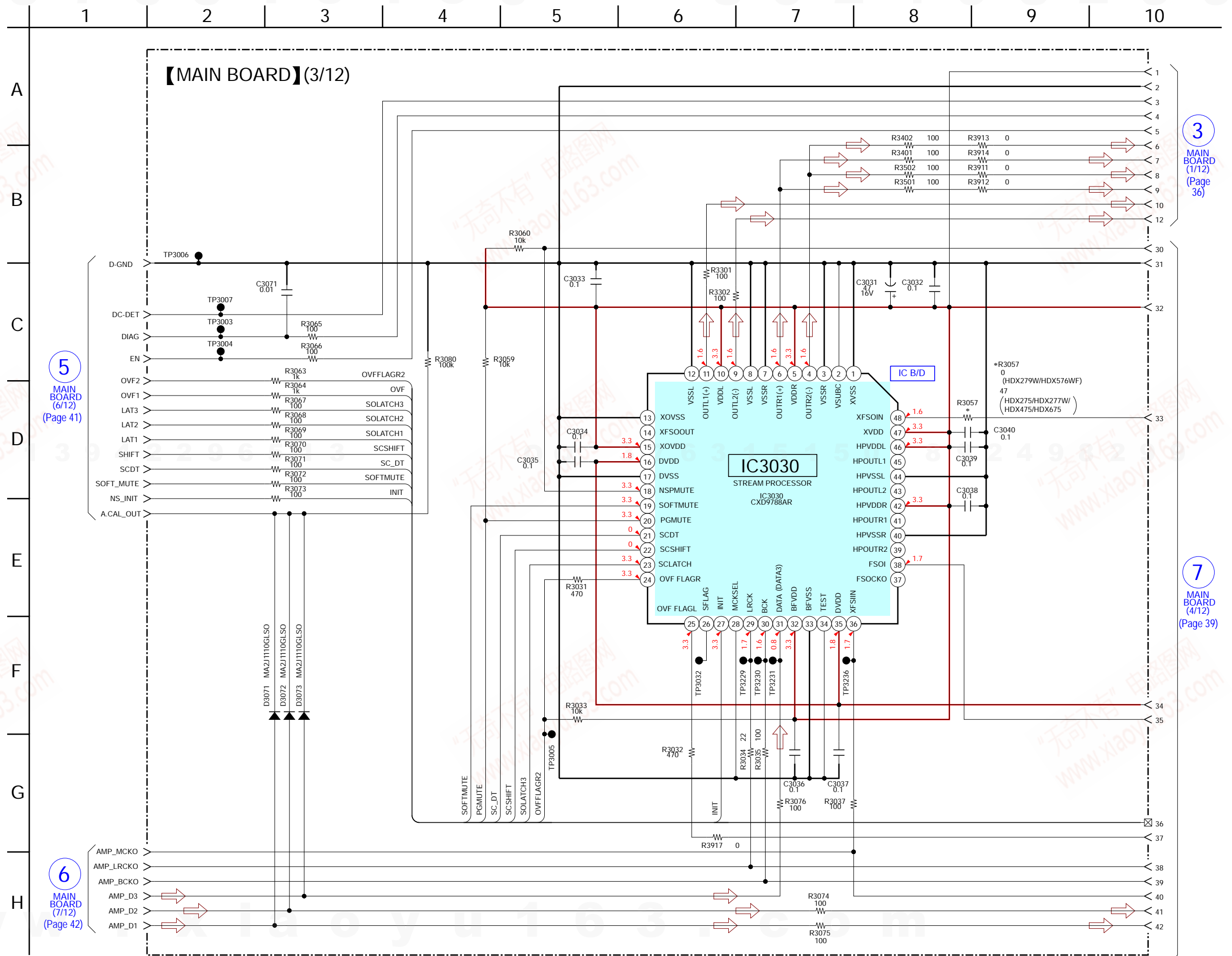
6-8. SCHEMATIC DIAGRAM - MAIN Board (1/12) - • See page 65 for IC Block Diagrams.



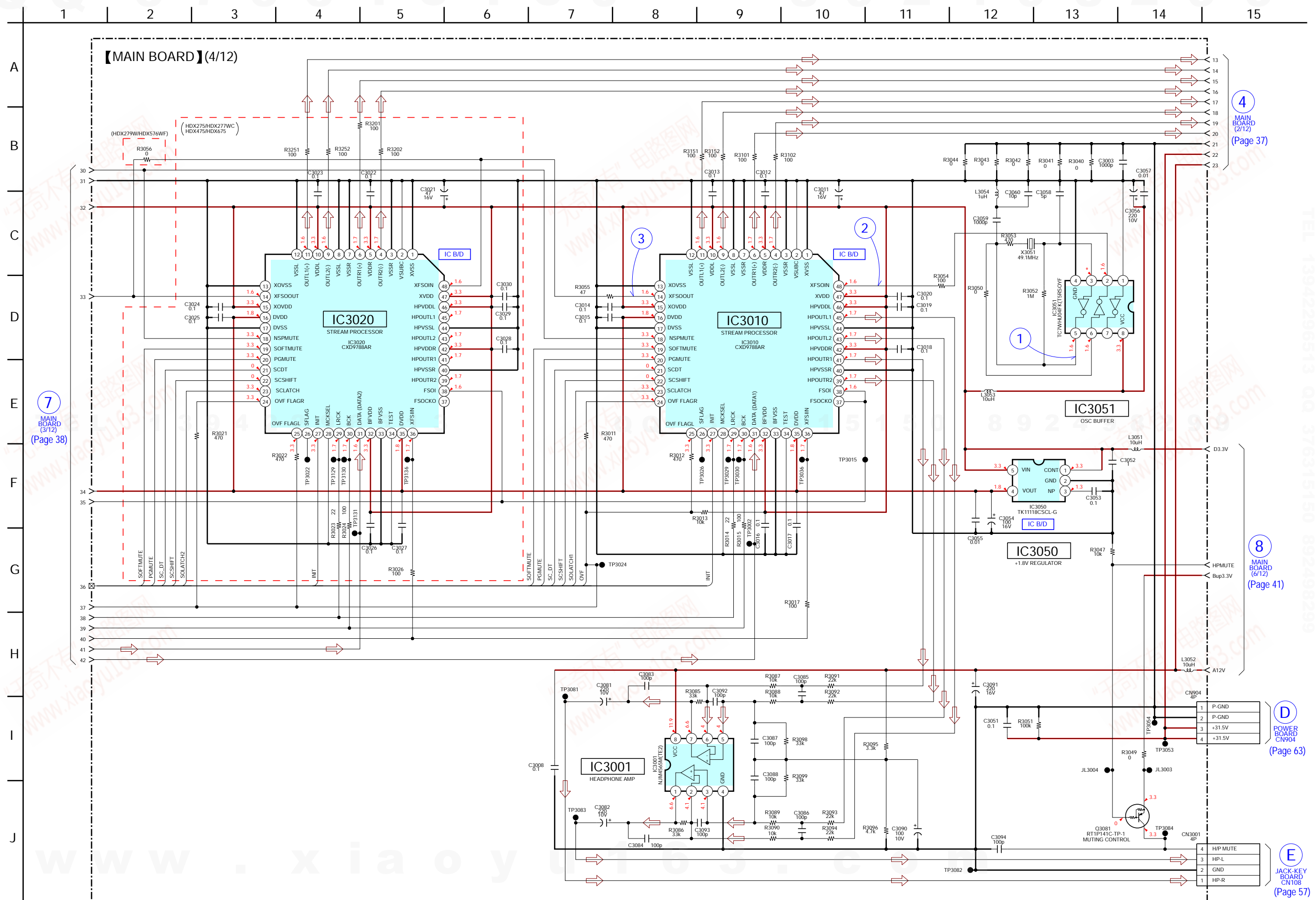
2 MAIN BOARD (2/12) (Page 37)

3 MAIN BOARD (3/12) (Page 38)

6-10. SCHEMATIC DIAGRAM - MAIN Board (3/12) - See page 65 for IC Block Diagrams.



6-11. SCHEMATIC DIAGRAM - MAIN Board (4/12) - See page 64 for Waveforms. See page 65 for IC Block Diagrams.



TEL 13942296513 QQ 376315150 892408299

7 MAIN BOARD (3/12) (Page 38)

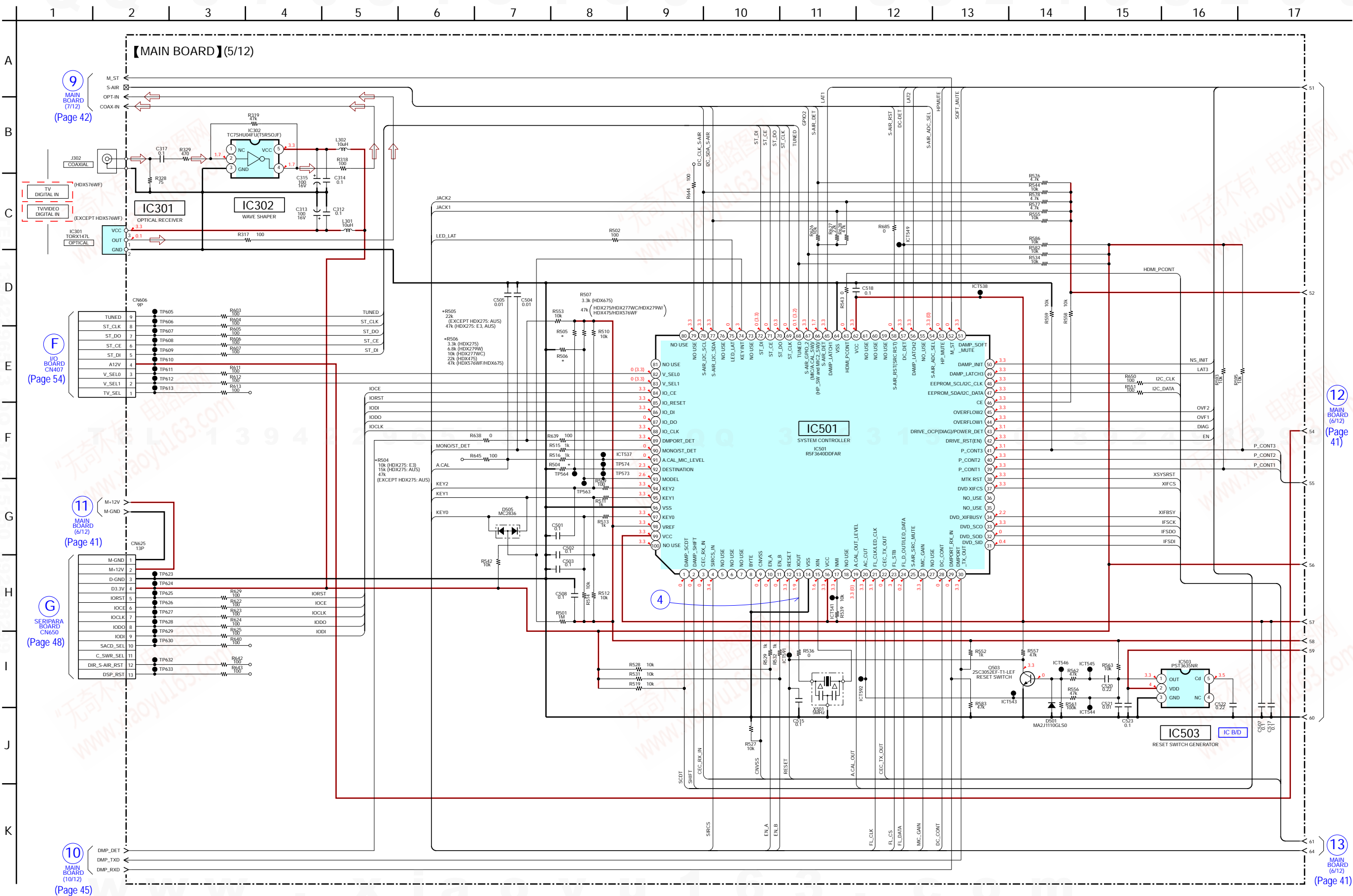
4 MAIN BOARD (2/12) (Page 37)

8 MAIN BOARD (6/12) (Page 41)

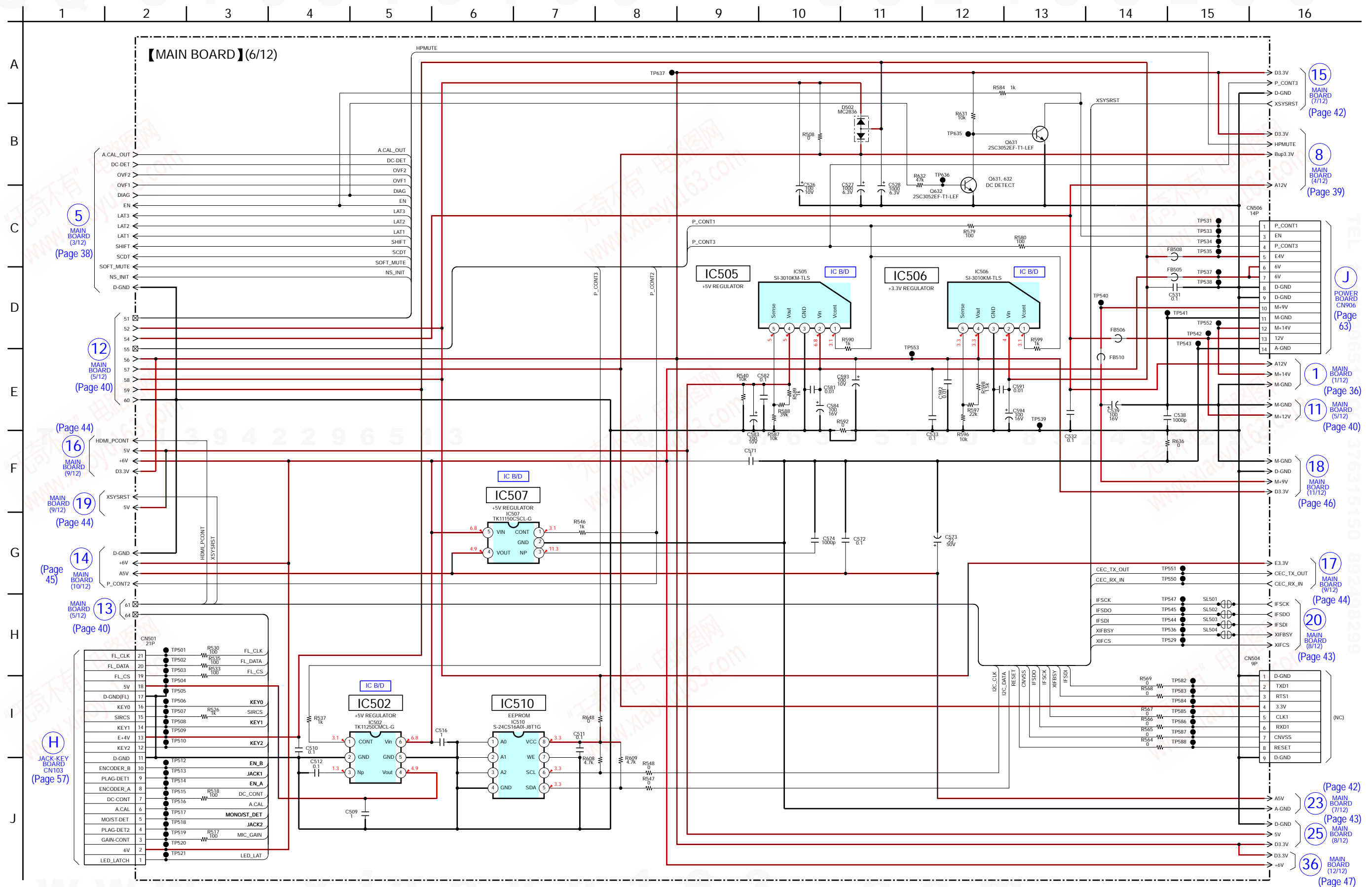
D POWER BOARD (CN904) (Page 63)

E JACK KEY BOARD (CN108) (Page 57)

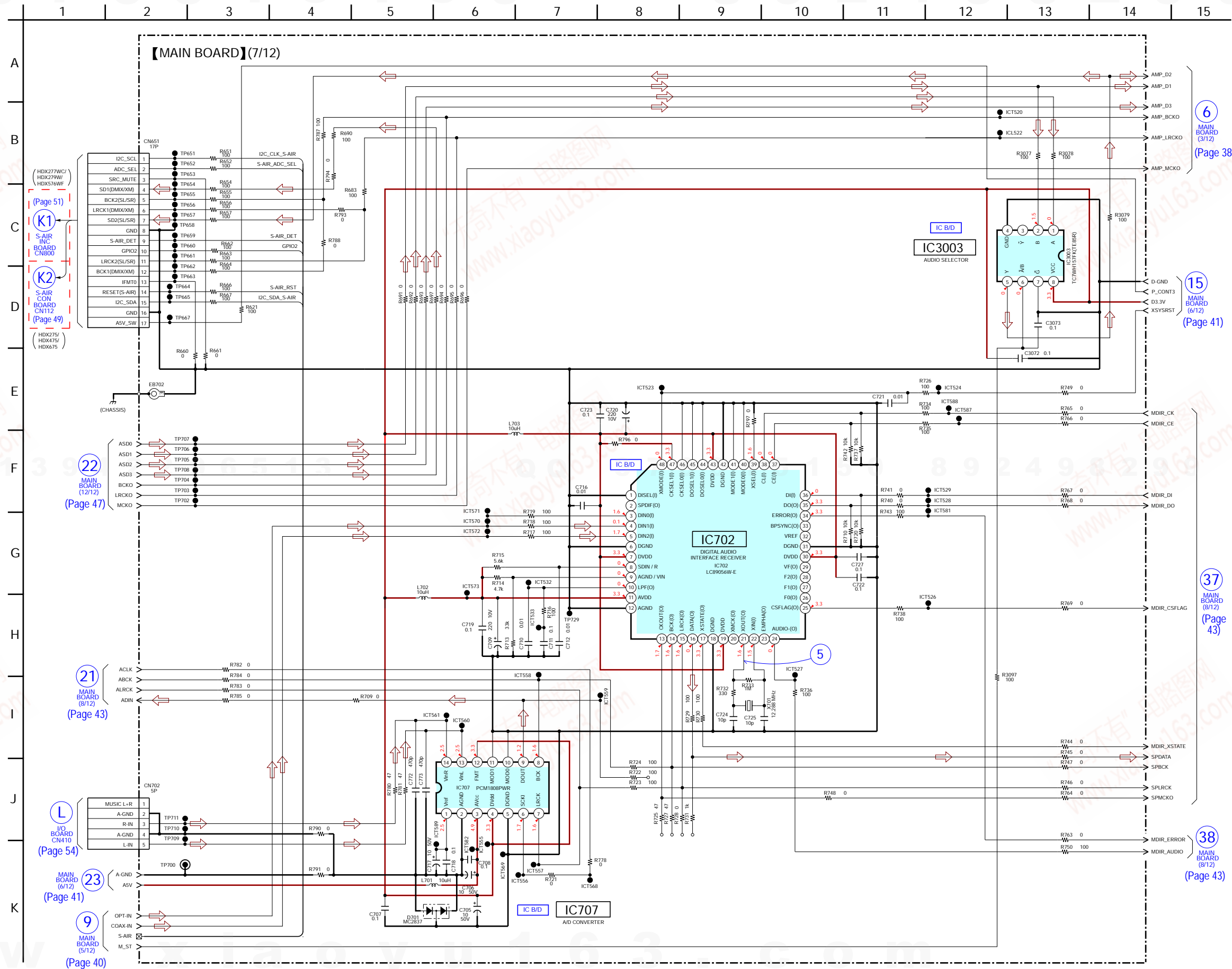
6-12. SCHEMATIC DIAGRAM - MAIN Board (5/12) - • See page 64 for Waveforms. • See page 65 for IC Block Diagrams. • See page 75 for IC Pin Function Description.



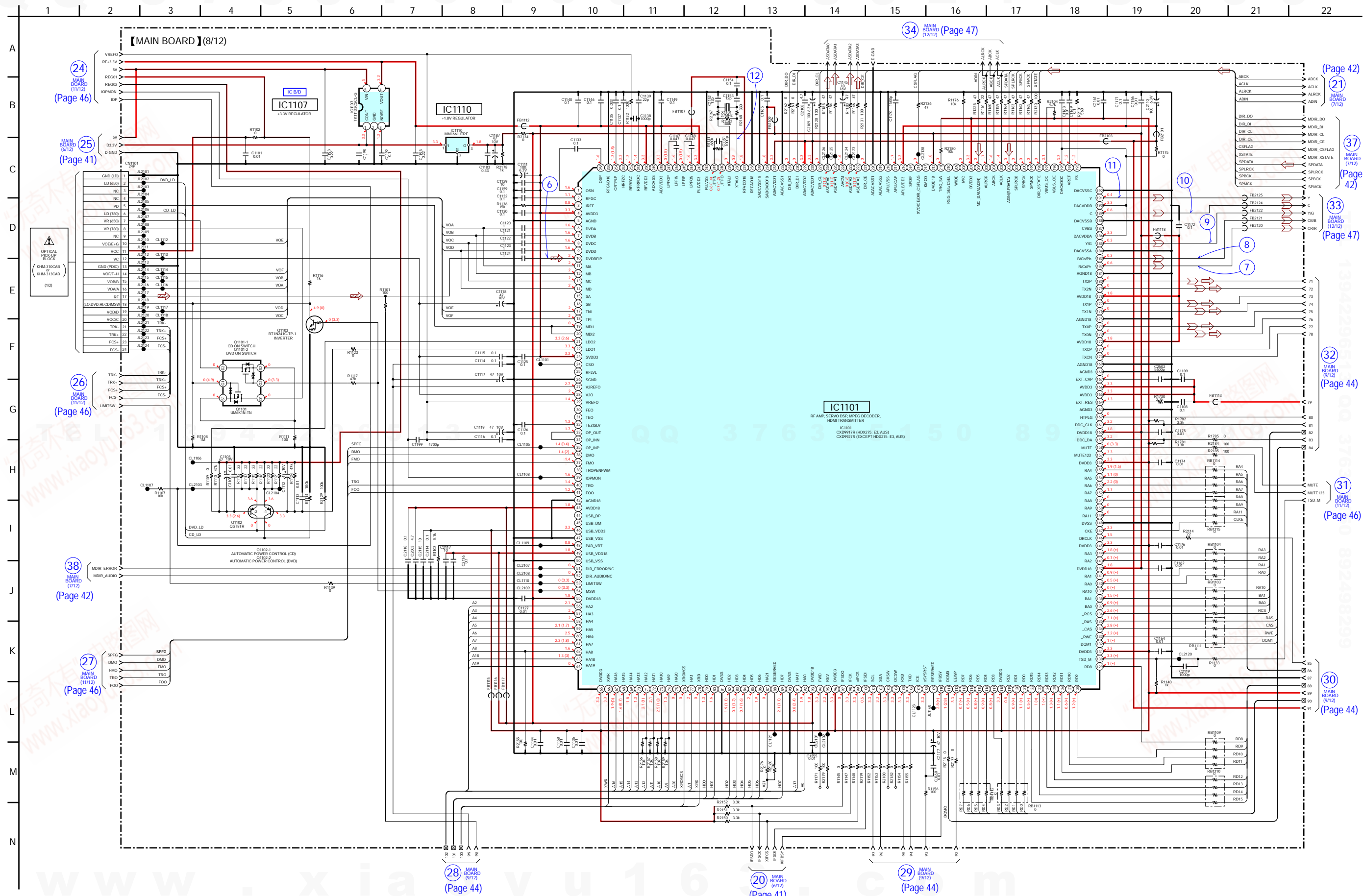
6-13. SCHEMATIC DIAGRAM - MAIN Board (6/12) - See page 65 for IC Block Diagrams.



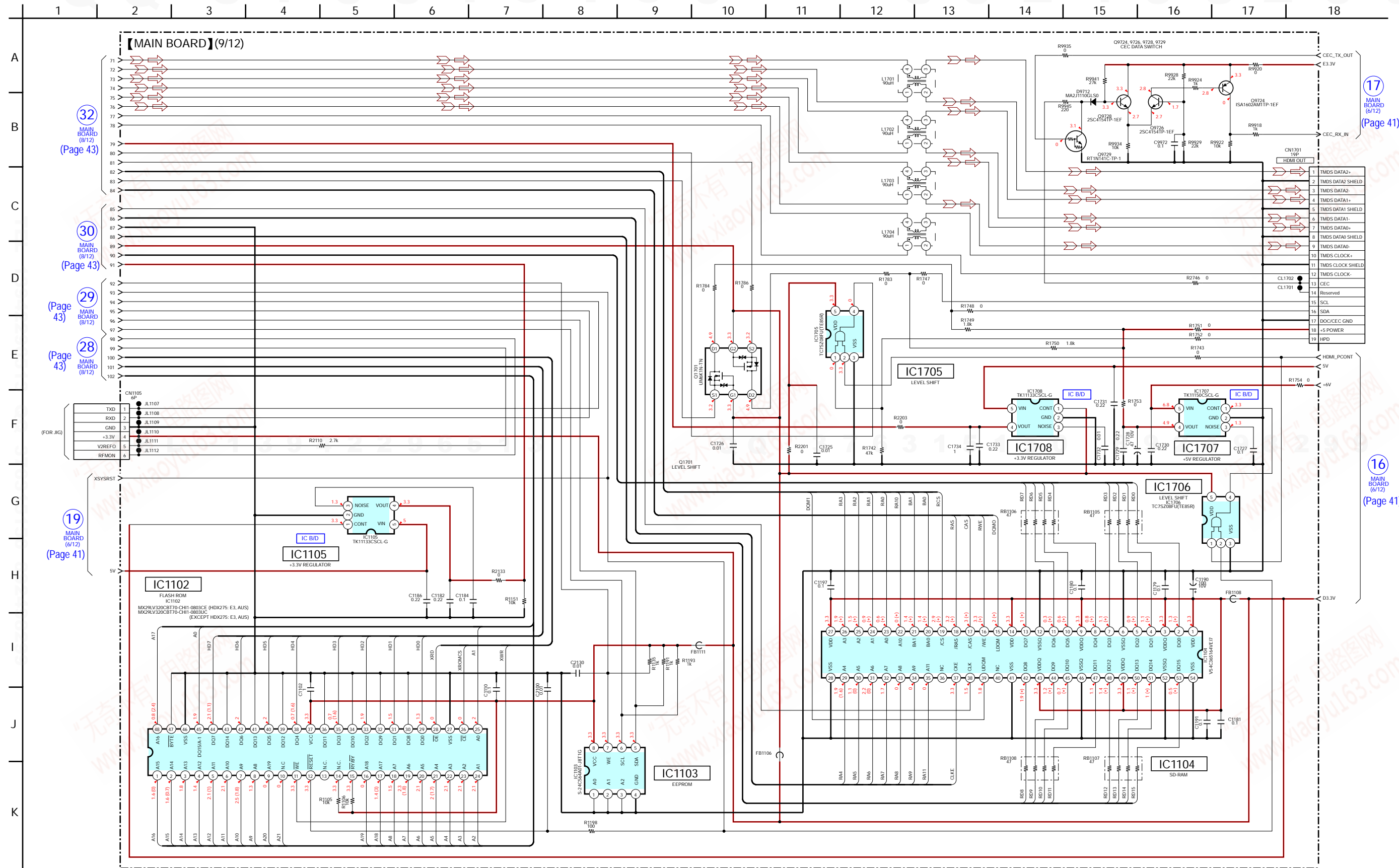
6-14. SCHEMATIC DIAGRAM - MAIN Board (7/12) - • See page 64 for Waveforms. • See page 65 for IC Block Diagrams.



6-15. SCHEMATIC DIAGRAM - MAIN Board (8/12) - See page 64 for Waveforms. See page 65 for IC Block Diagrams. See page 75 for IC Pin Function Description.

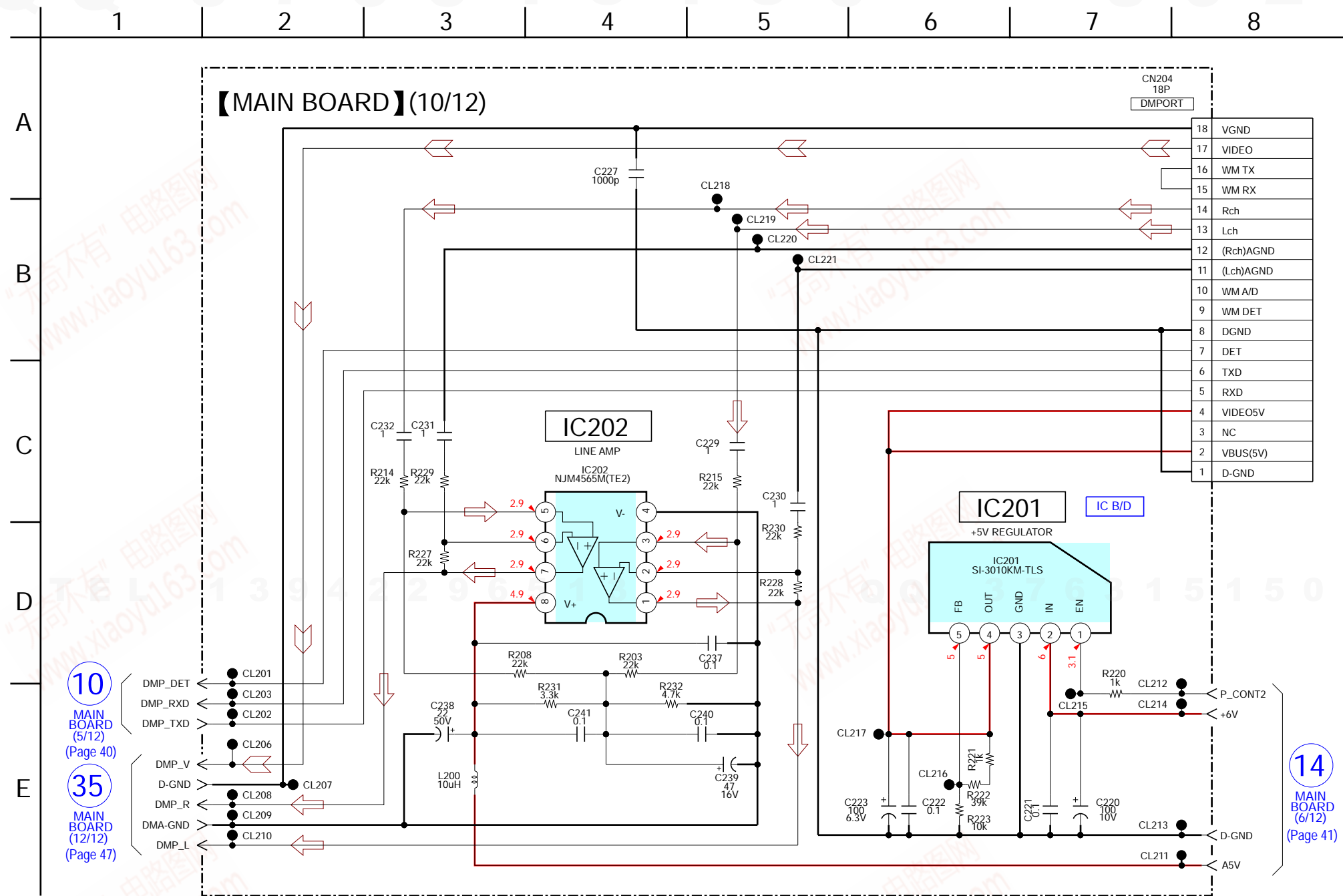


6-16. SCHEMATIC DIAGRAM - MAIN Board (9/12) - See page 65 for IC Block Diagrams.



Note: IC1103 on the MAIN board cannot exchange with single. When IC1103 on the MAIN board is damaged, exchange the entire mounted board.

6-17. SCHEMATIC DIAGRAM - MAIN Board (10/12) - See page 65 for IC Block Diagrams.

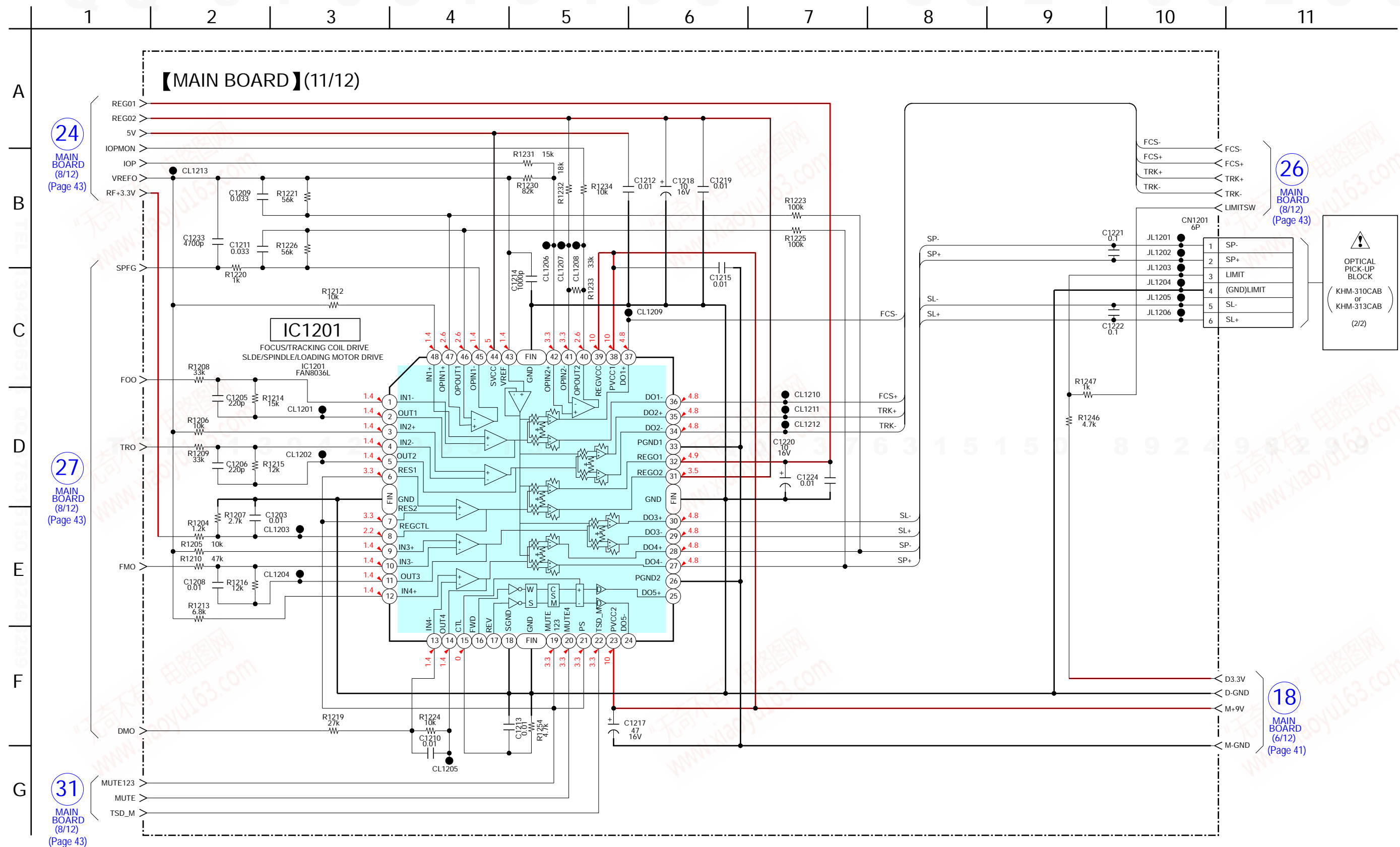


TEL 13942296513 QQ 376315150 892498299

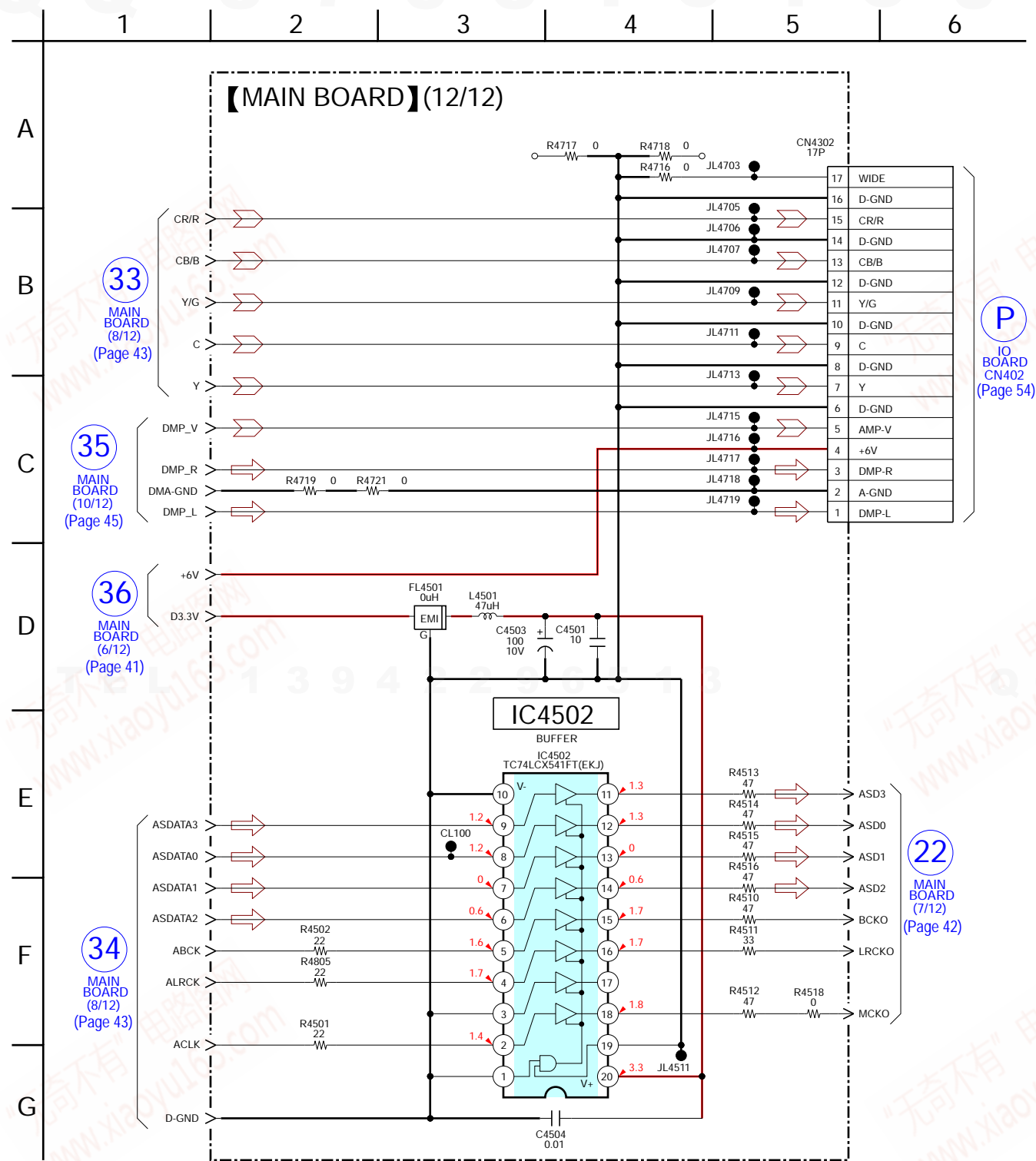
TEL 13942296513 QQ 376315150 892498299

www.xiaoyu163.com

6-18. SCHEMATIC DIAGRAM - MAIN Board (11/12) -

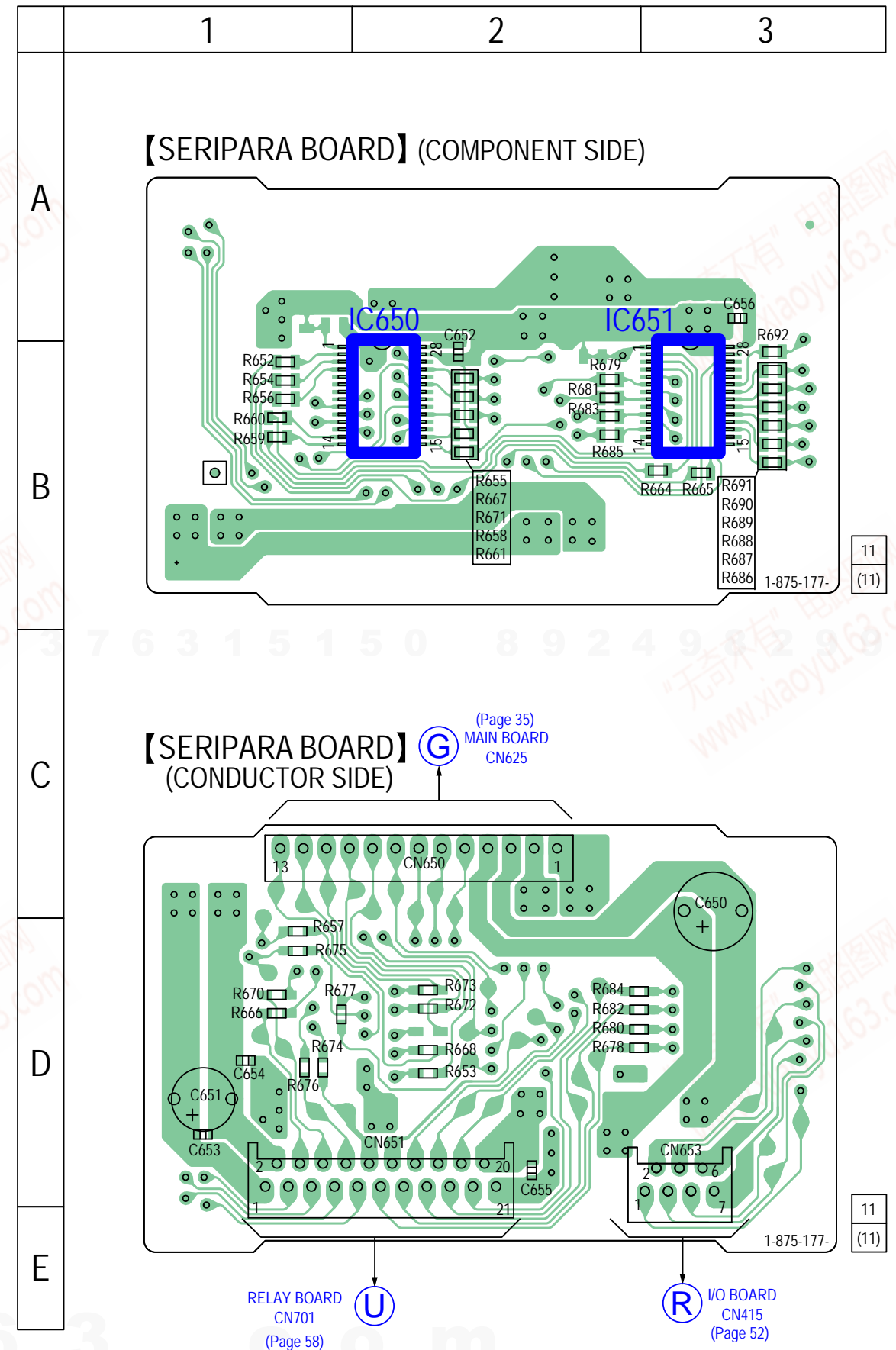


6-19. SCHEMATIC DIAGRAM - MAIN Board (12/12) -

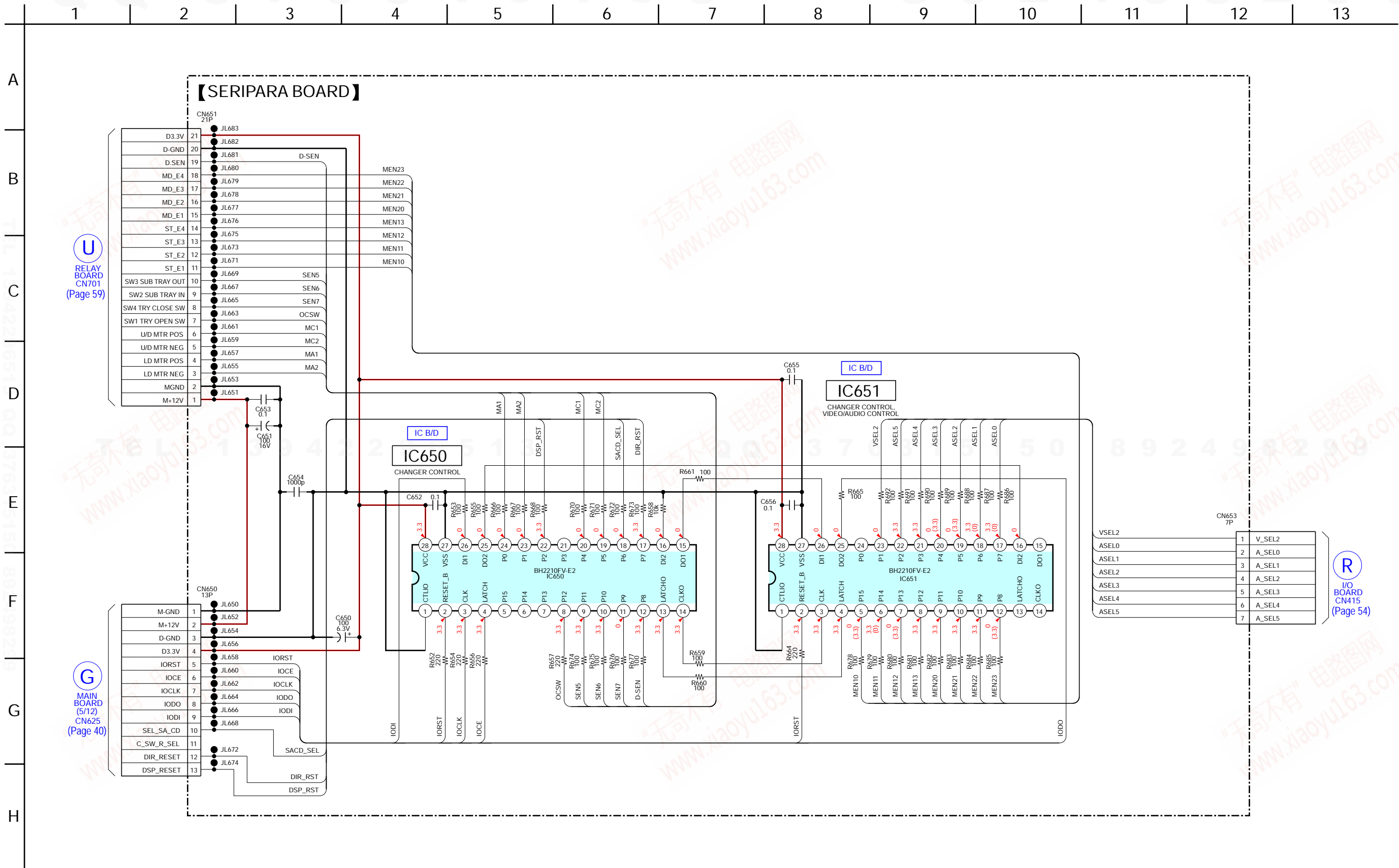


6-20. PRINTED WIRING BOARD - SERIPARA Board -

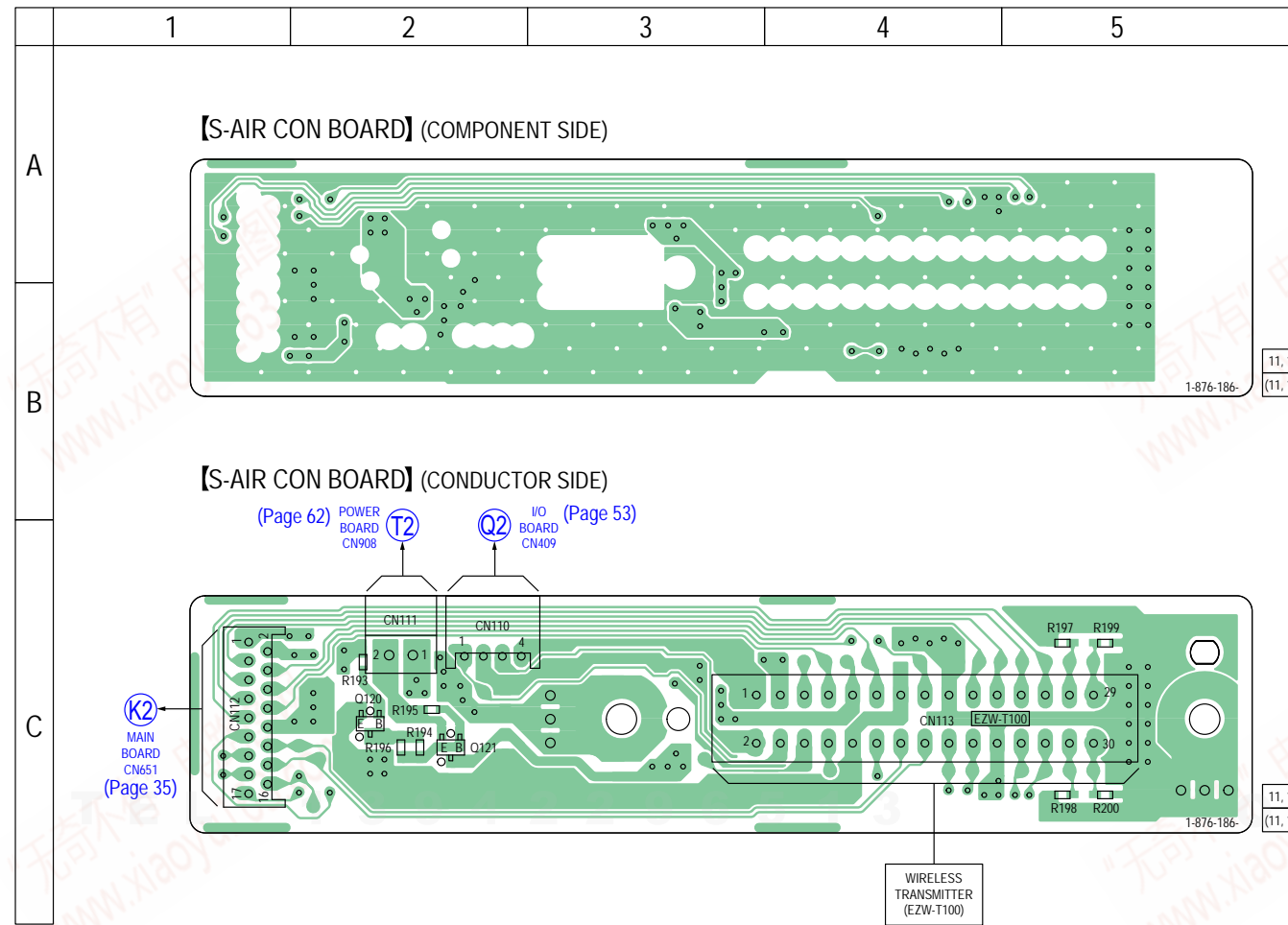
• See page 33 for Circuit Boards Location. • : Uses unleaded solder.



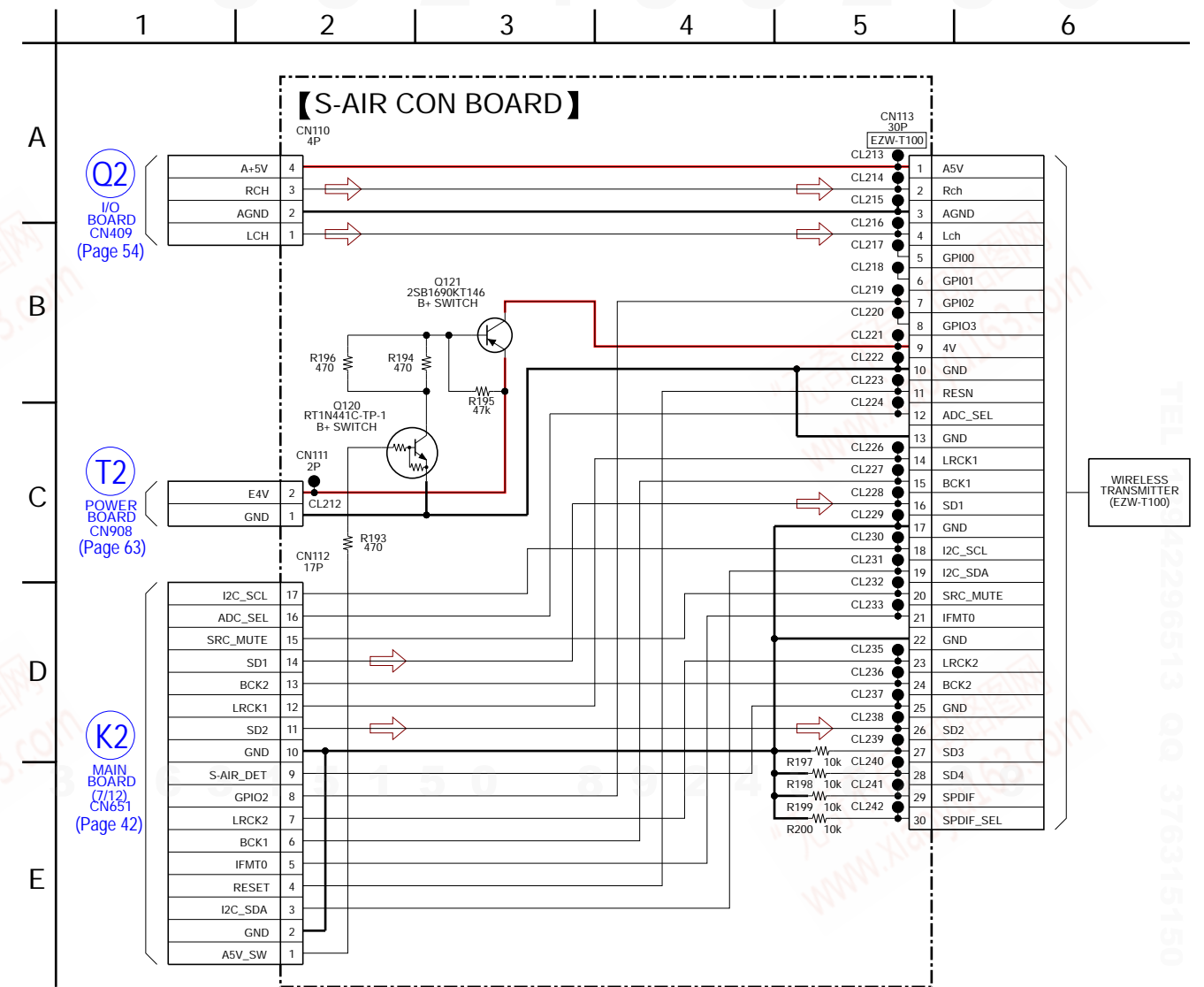
6-21. SCHEMATIC DIAGRAM - SERIPARA Board - See page 65 for IC Block Diagrams.



6-22. PRINTED WIRING BOARD - S-AIR CON Board (HDX275/HDX475/HDX675) -
• See page 33 for Circuit Boards Location. • **L** : Uses unleaded solder.



6-23. SCHEMATIC DIAGRAM - S-AIR CON Board (HDX275/HDX475/HDX675) -



TEL 13942296513 QQ 376315150 892498299

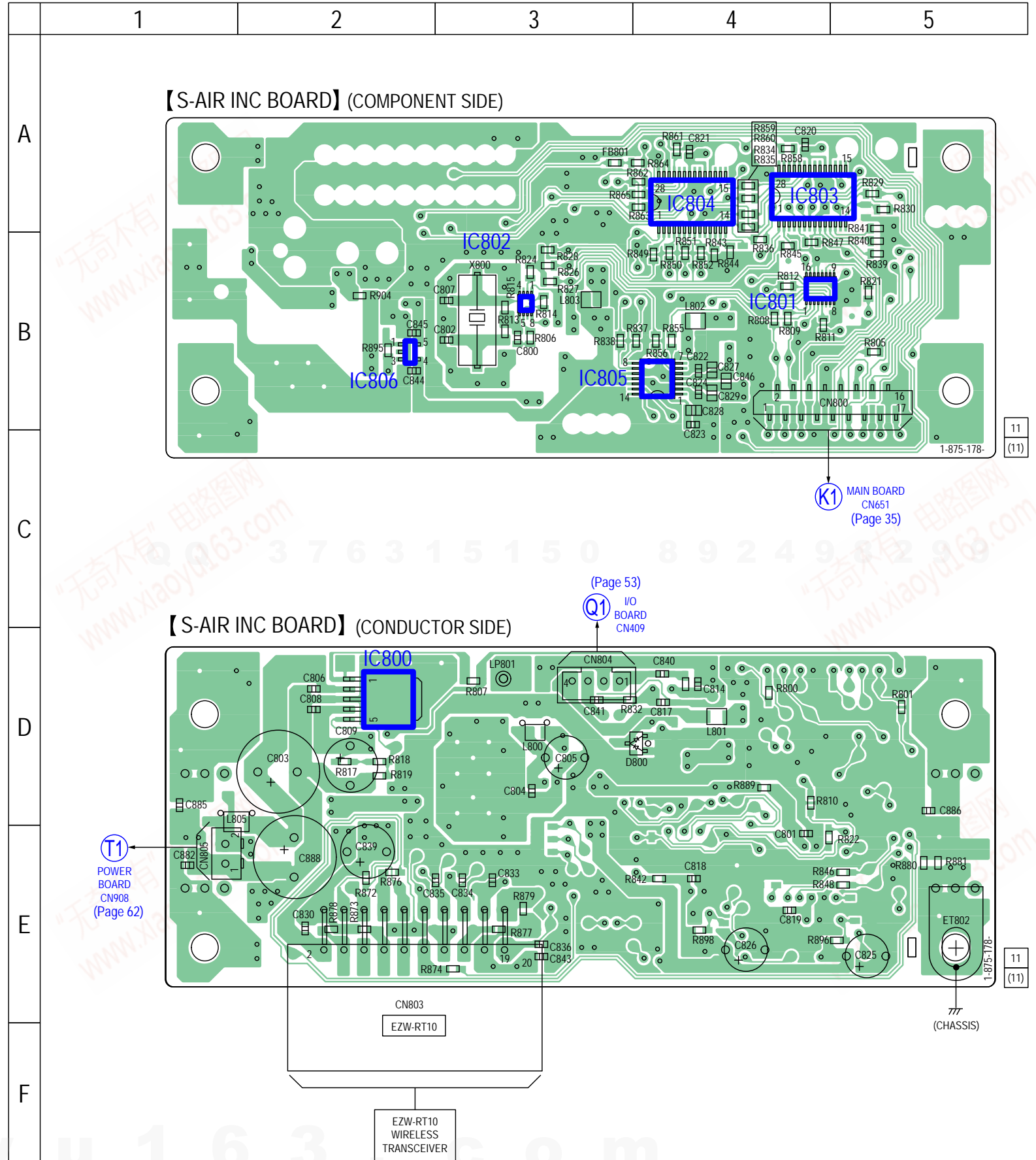
TEL 13942296513 QQ 376315150 892498299

6-24. PRINTED WIRING BOARD - S-AIR INC Board (HDX277WC/HDX279W/HDX576WF) -

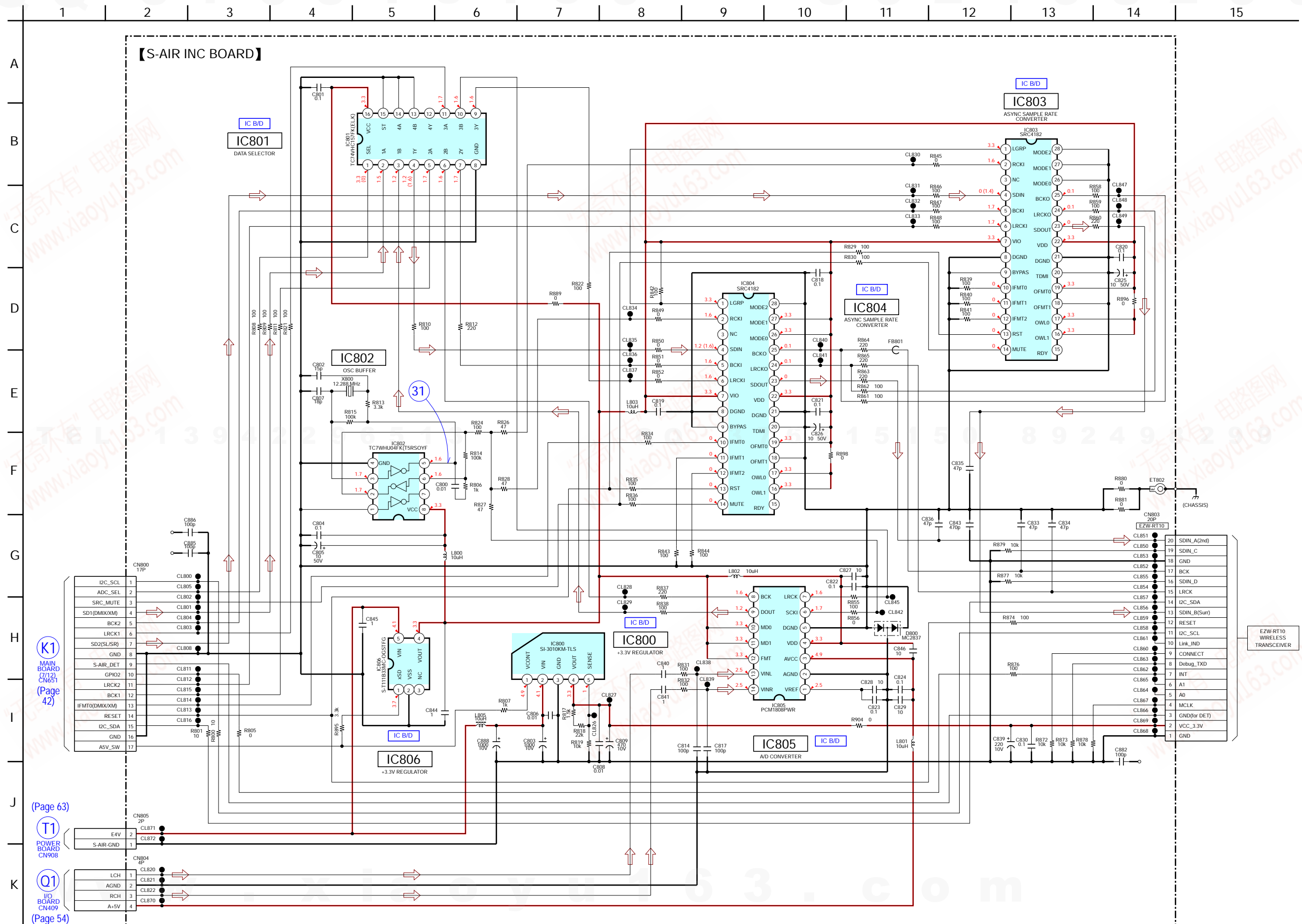
• See page 33 for Circuit Boards Location. •  : Uses unleaded solder.

• Semiconductor Location

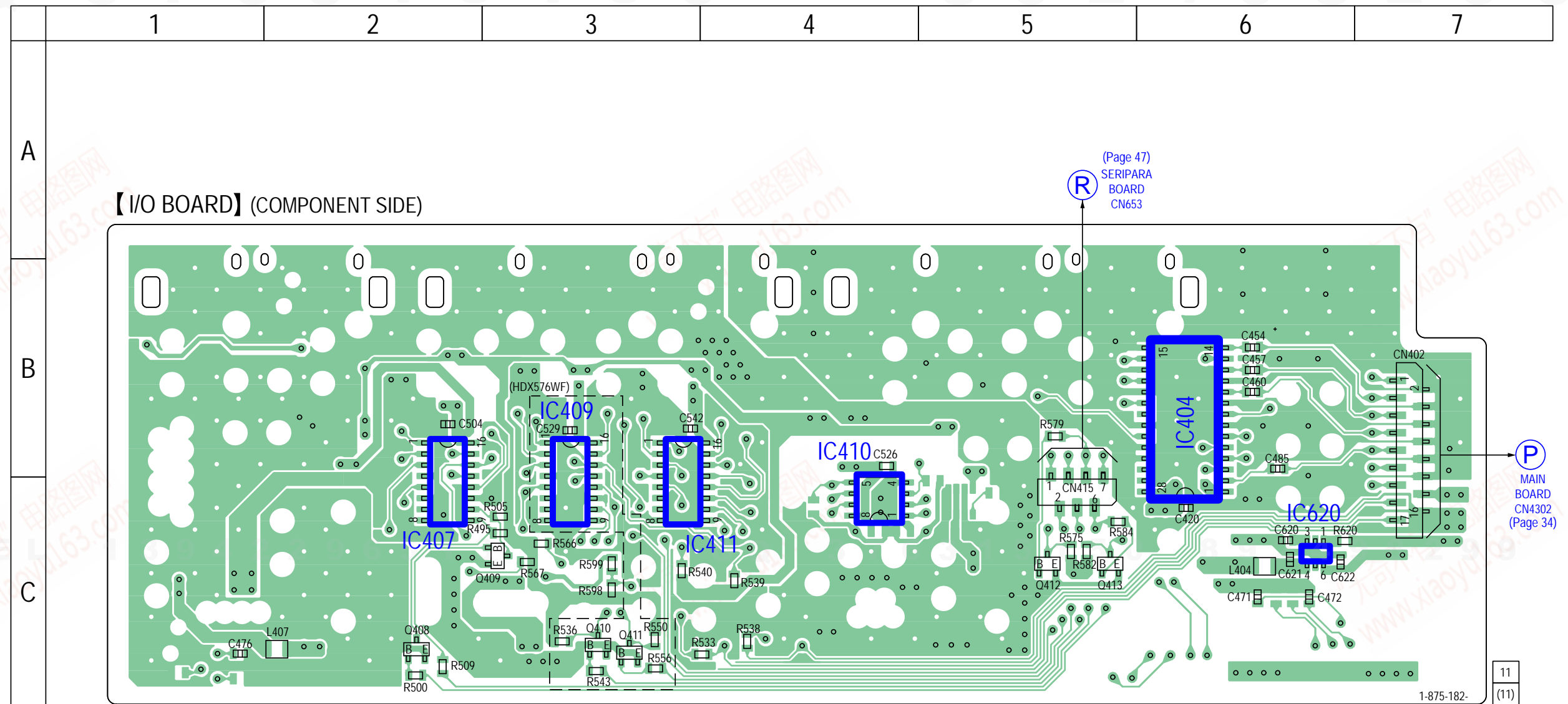
Ref. No.	Location
D800	D-4
IC800	D-2
IC801	B-4
IC802	B-3
IC803	A-4
IC804	A-4
IC805	B-4
IC806	B-2



6-25. SCHEMATIC DIAGRAM - S-AIR INC Board (HDX277WC/HDX279W/HDX576WF) - See page 64 for Waveforms. See page 65 for IC Block Diagrams.



6-26. PRINTED WIRING BOARD - I/O Board (Component Side) - • See page 33 for Circuit Boards Location. •  : Uses unleaded solder.



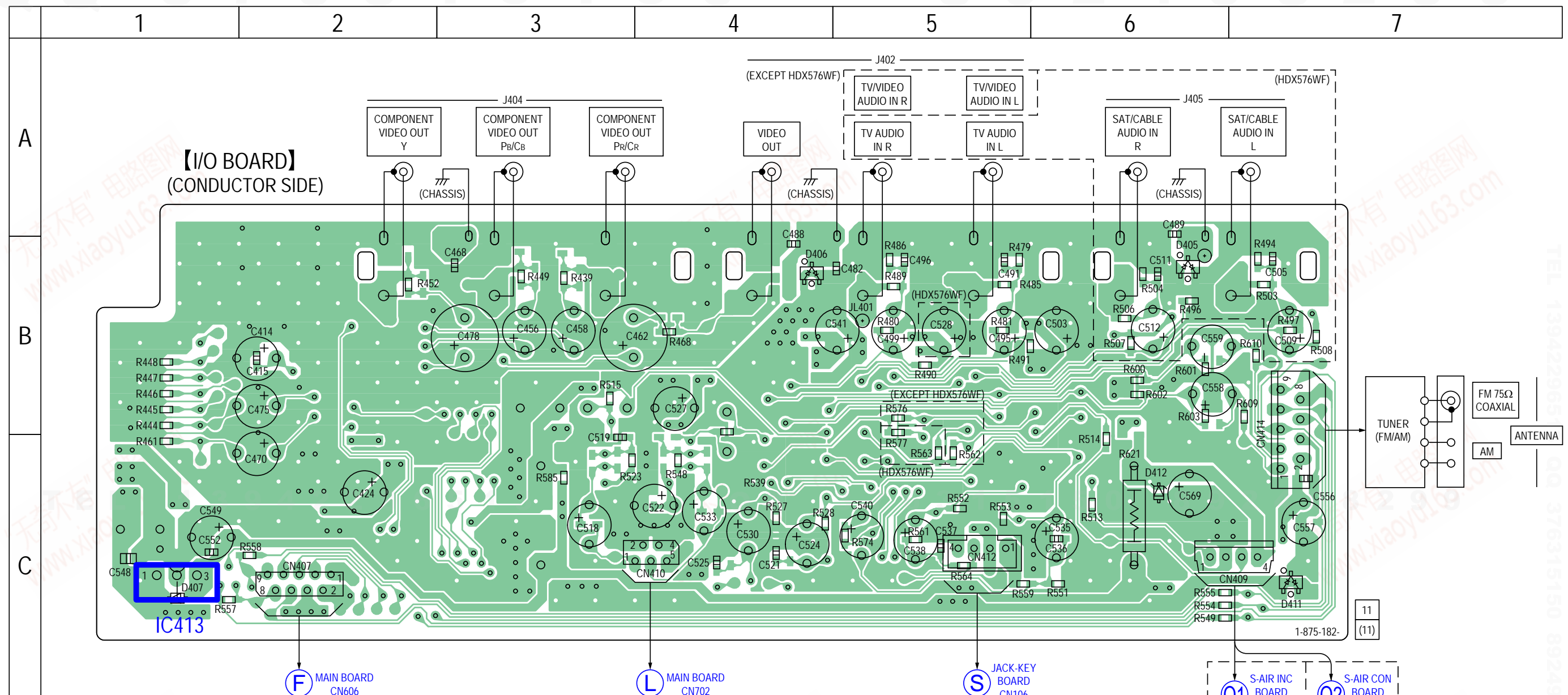
• Semiconductor Location

Ref. No.	Location
IC404	B-6
IC407	C-2
IC409	C-3
IC410	C-4
IC411	C-3
IC620	C-6
Q408	C-2
Q409	C-3
Q410	C-3
Q411	C-3
Q412	C-4
Q413	C-4

TEL 13942296513 QQ 376315150 892498299

TEL 13942296513 QQ 376315150 892498299

6-27. PRINTED WIRING BOARD - I/O Board (Conductor Side) - • See page 33 for Circuit Boards Location. • **LF** : Uses unleaded solder.



• Semiconductor Location

Ref. No.	Location
D405	B-6
D406	B-4
D407	C-1
D411	C-7
D412	C-6
IC413	C-1

F MAIN BOARD
CN606
(Page 34)

L MAIN BOARD
CN702
(Page 35)

S JACK-KEY BOARD
CN106
(Page 56)

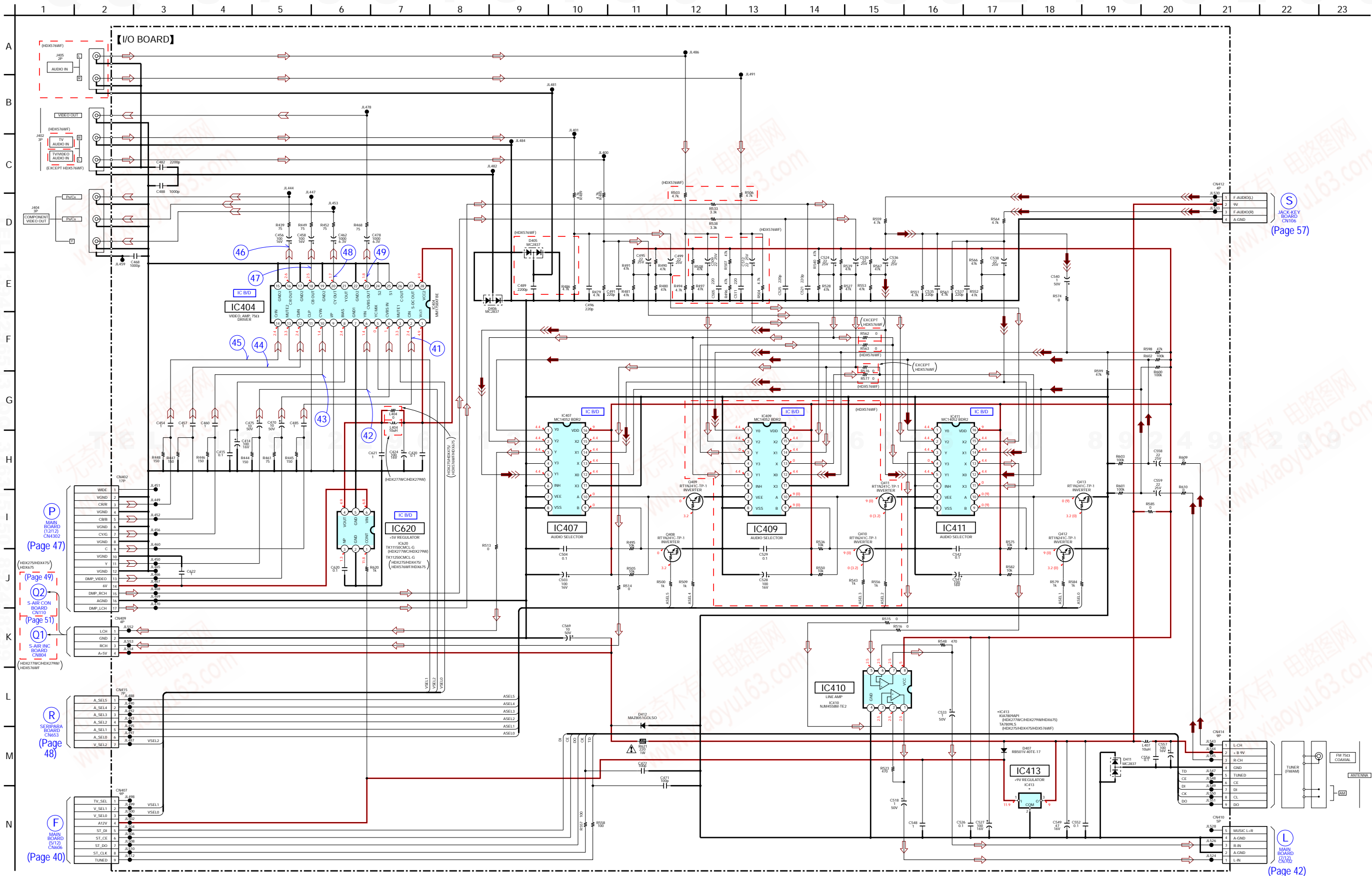
Q1 S-AIR INC BOARD
CN804
(Page 50)

Q2 S-AIR CON BOARD
CN110
(Page 49)

(HDX277WC/HDX279W/HDX576WF)

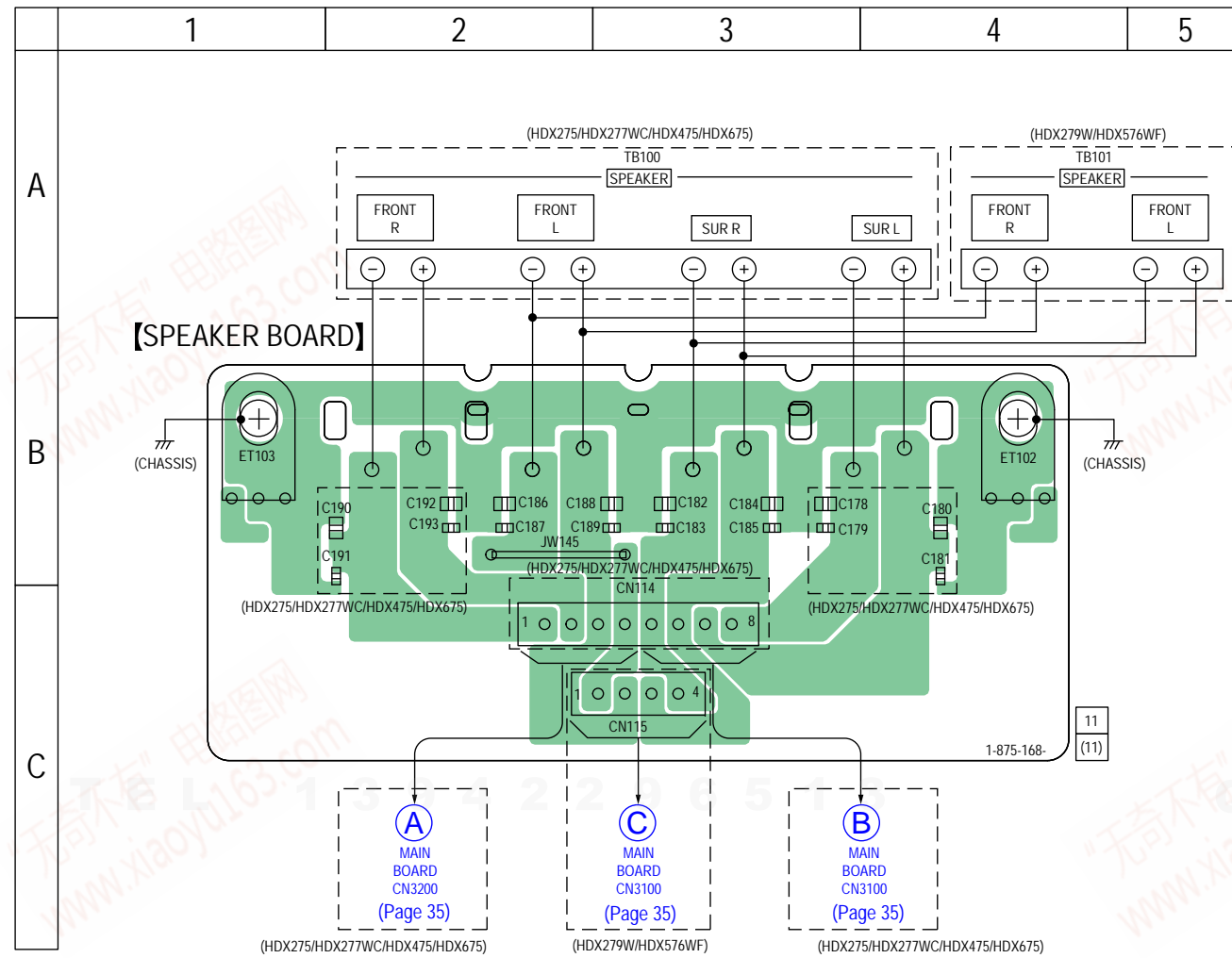
(HDX275/HDX475/HDX675)

6-28. SCHEMATIC DIAGRAM - I/O Board - See page 64 for Waveforms. See page 65 for IC Block Diagrams.

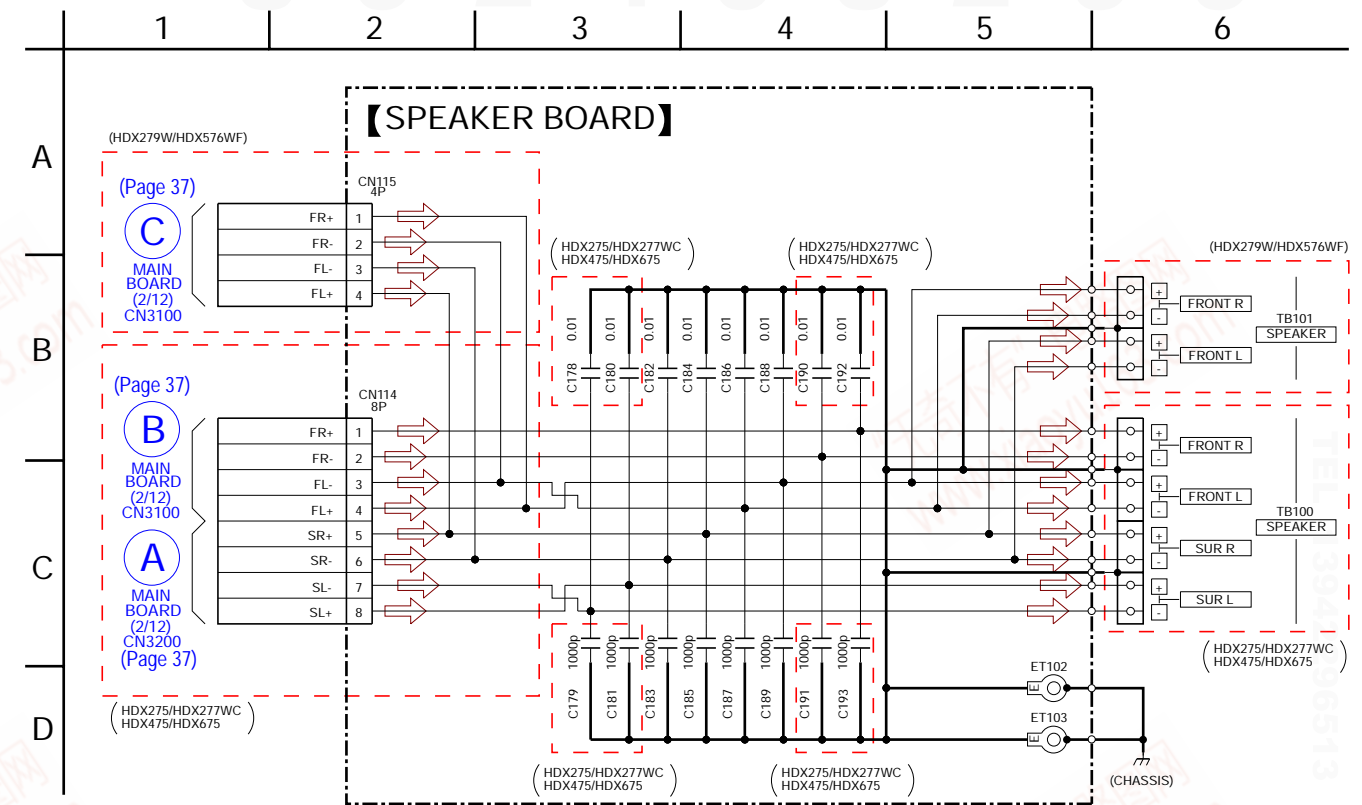


6-29. PRINTED WIRING BOARD - SPEAKER Board -

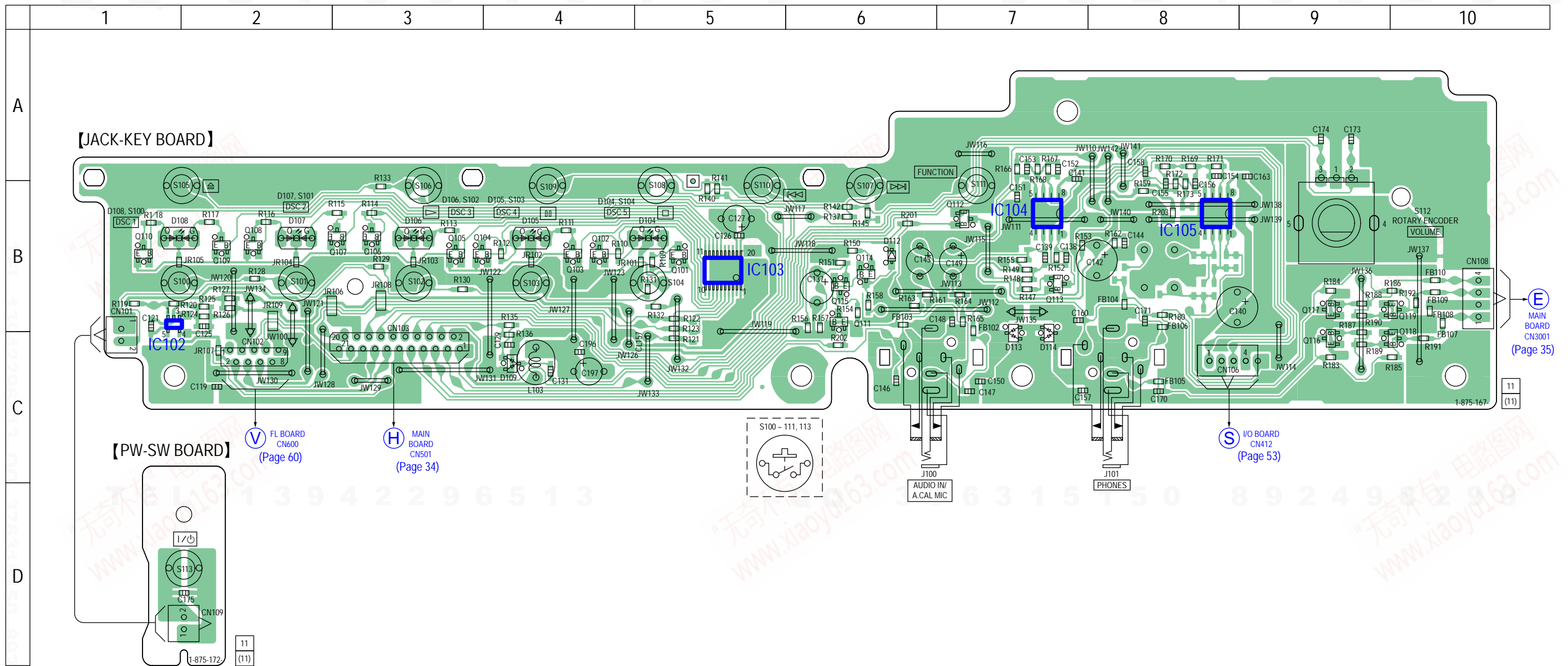
• See page 33 for Circuit Boards Location. • : Uses unleaded solder.



6-30. SCHEMATIC DIAGRAM - SPEAKER Board -



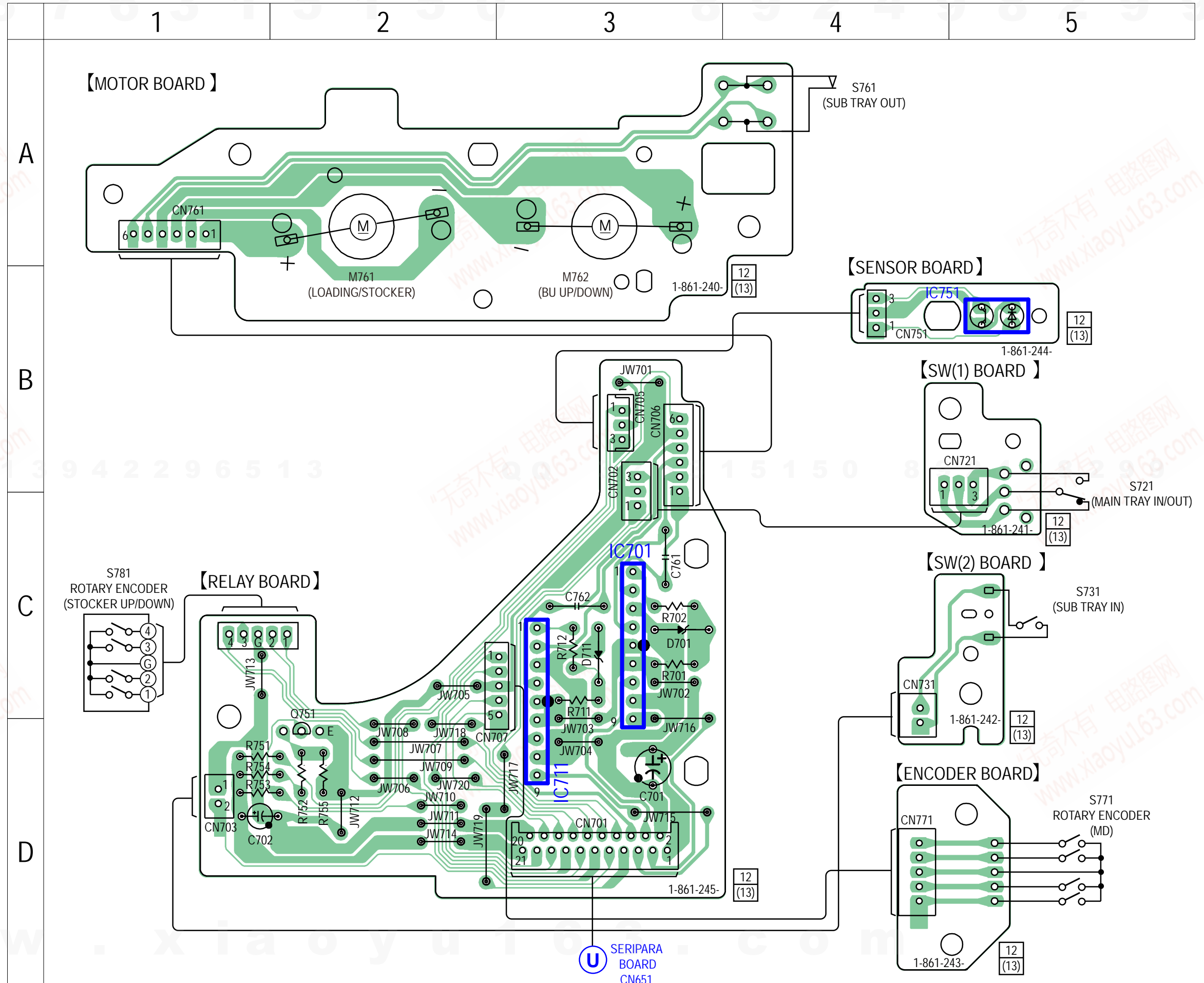
6-31. PRINTED WIRING BOARDS - JACK-KEY Section - • See page 33 for Circuit Boards Location. •  : Uses unleaded solder.



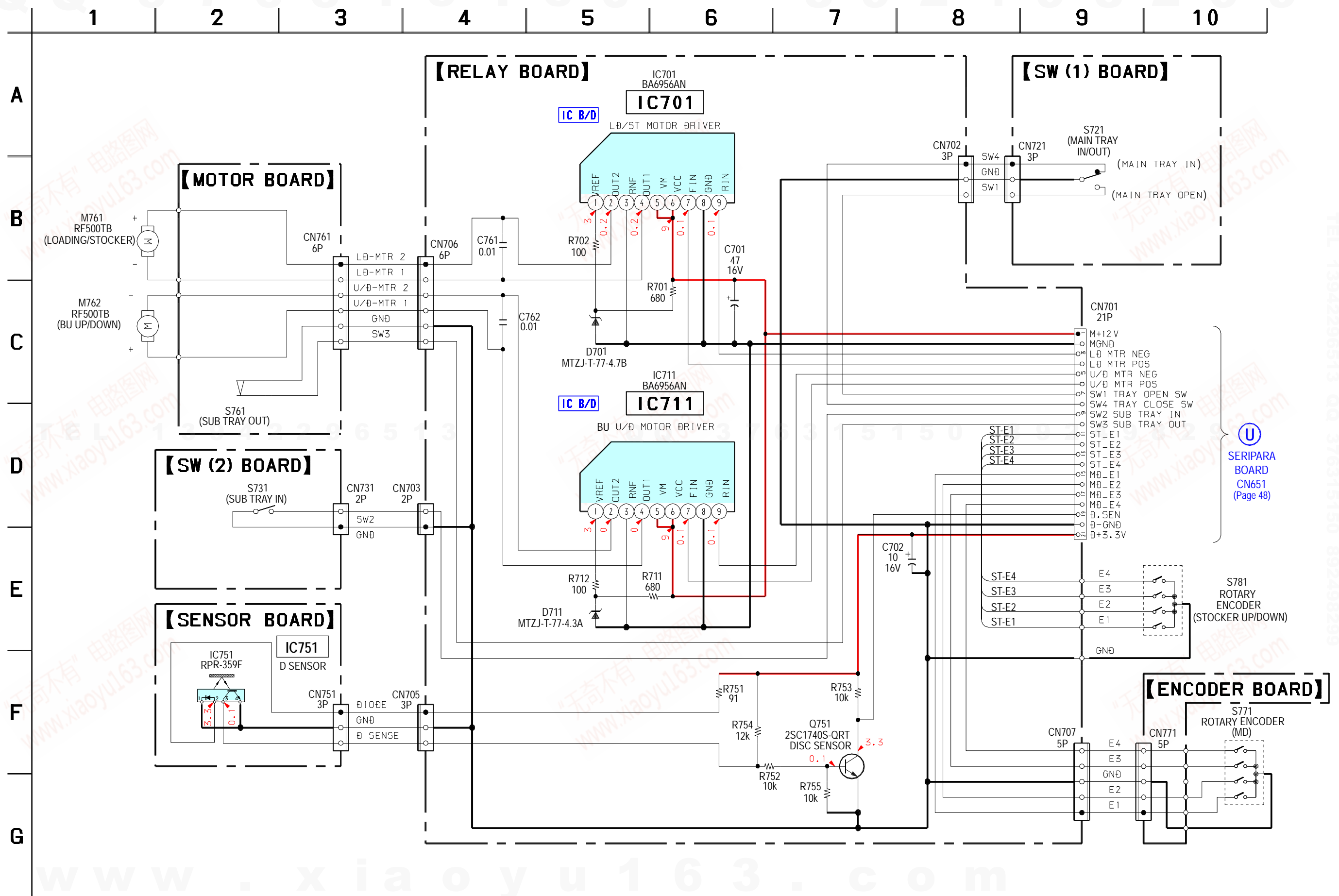
• Semiconductor Location

Ref. No.	Location	Ref. No.	Location
D104	B-5	Q103	B-4
D105	B-4	Q104	B-3
D106	B-3	Q105	B-3
D107	B-2	Q106	B-3
D108	B-1	Q107	B-3
D109	C-4	Q108	B-3
D112	B-6	Q109	B-3
D113	C-7	Q110	B-1
D114	C-7	Q111	B-6
		Q112	B-7
		Q113	B-7
IC102	B-1	Q114	B-6
IC103	B-5	Q115	B-6
IC104	B-7	Q116	C-9
IC105	B-8	Q117	B-9
Q101	B-5	Q118	C-10
Q102	B-4	Q119	B-10

6-33. PRINTED WIRING BOARDS - RELAY Section - • See page 33 for Circuit Boards Location. •  : Uses unleaded solder.



6-34. SCHEMATIC DIAGRAM - RELAY Section - See page 65 for IC Block Diagrams.

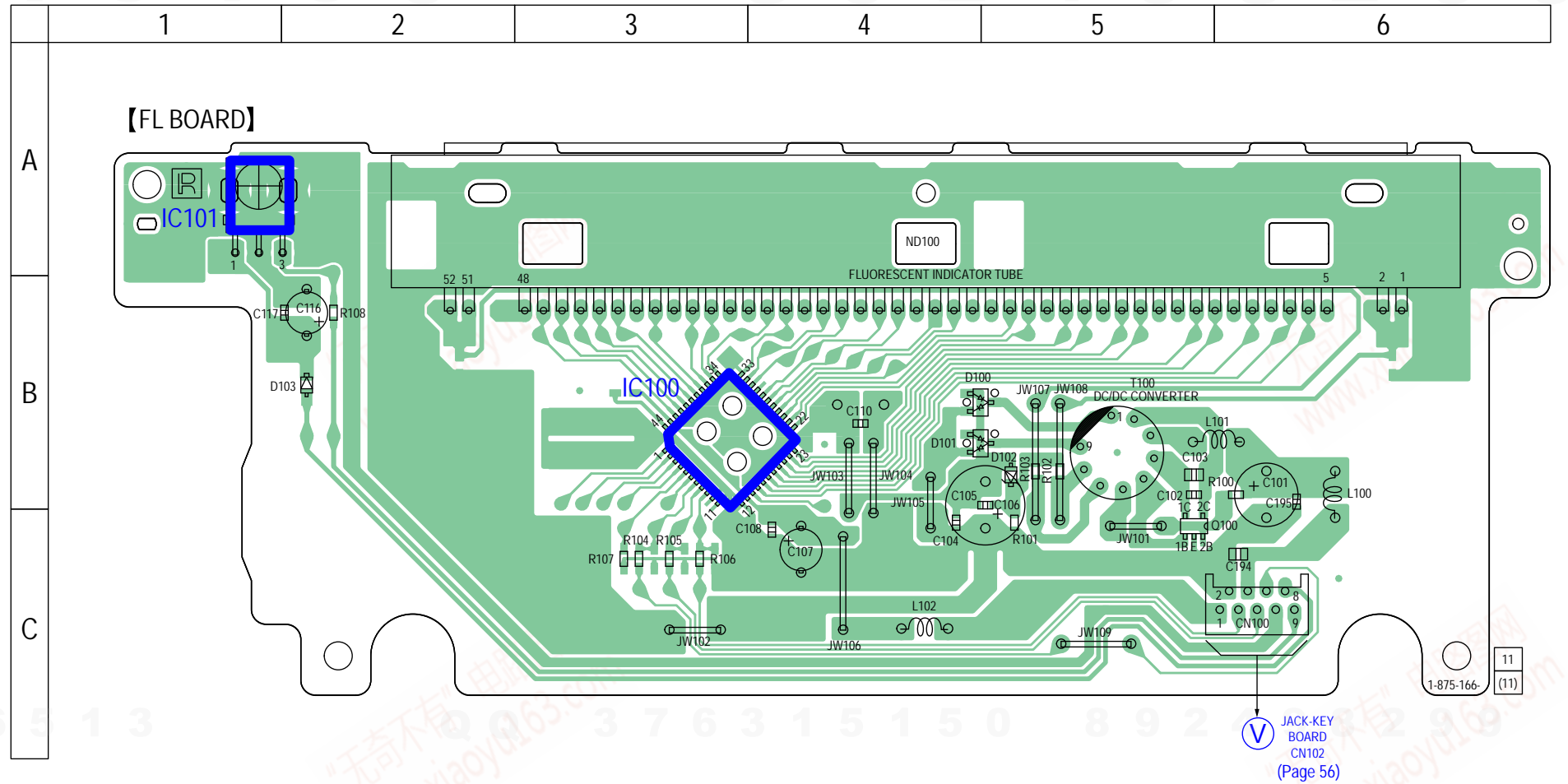


6-35. PRINTED WIRING BOARD - FL Board -

• See page 33 for Circuit Boards Location. •  : Uses unleaded solder.

• Semiconductor Location

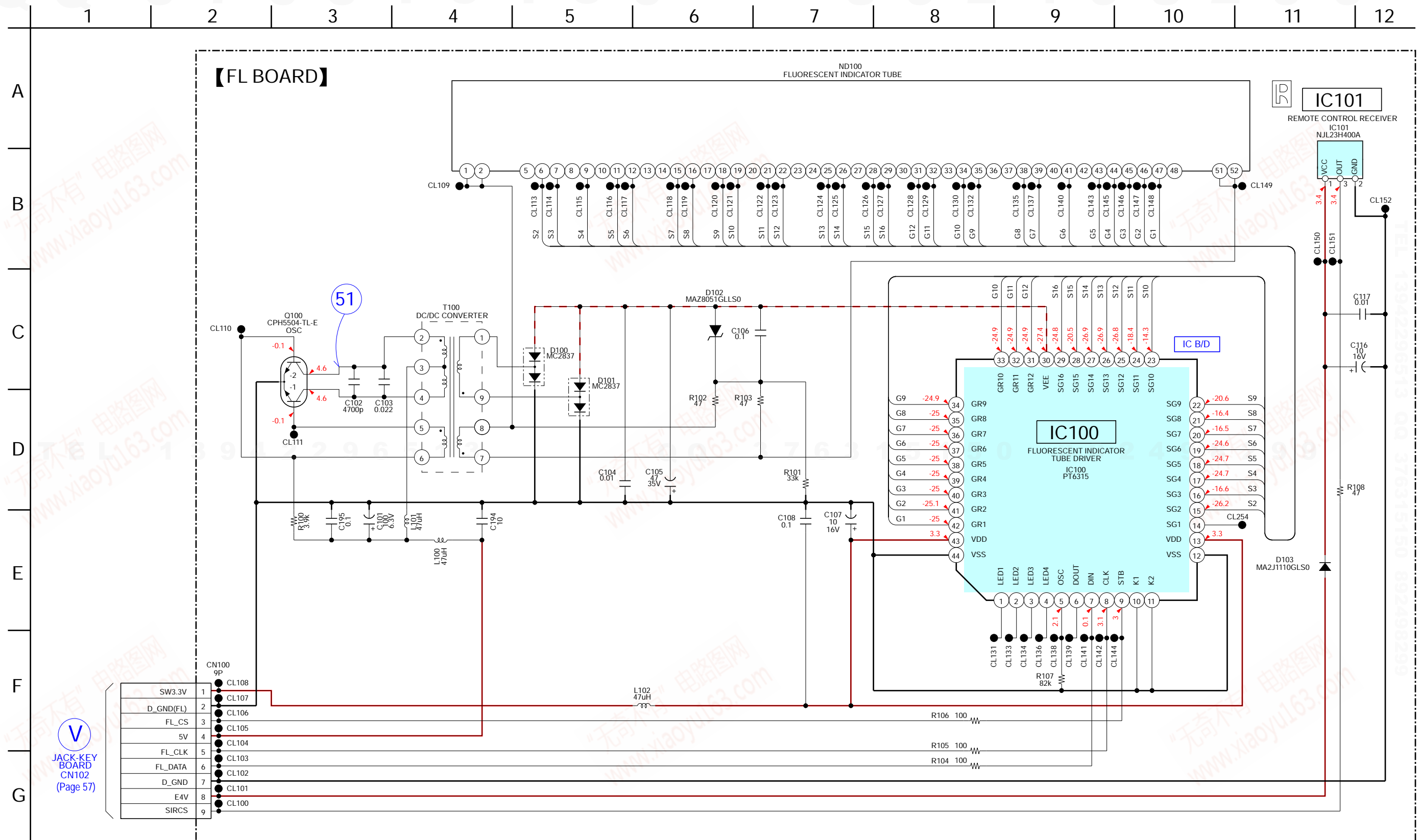
Ref. No.	Location
D100	B-4
D101	B-4
D102	B-5
D103	B-2
IC100	B-3
IC101	A-1
Q100	C-5



TEL 13942296513 QQ 376315150 892498299

TEL 13942296513 QQ 376315150 892498299

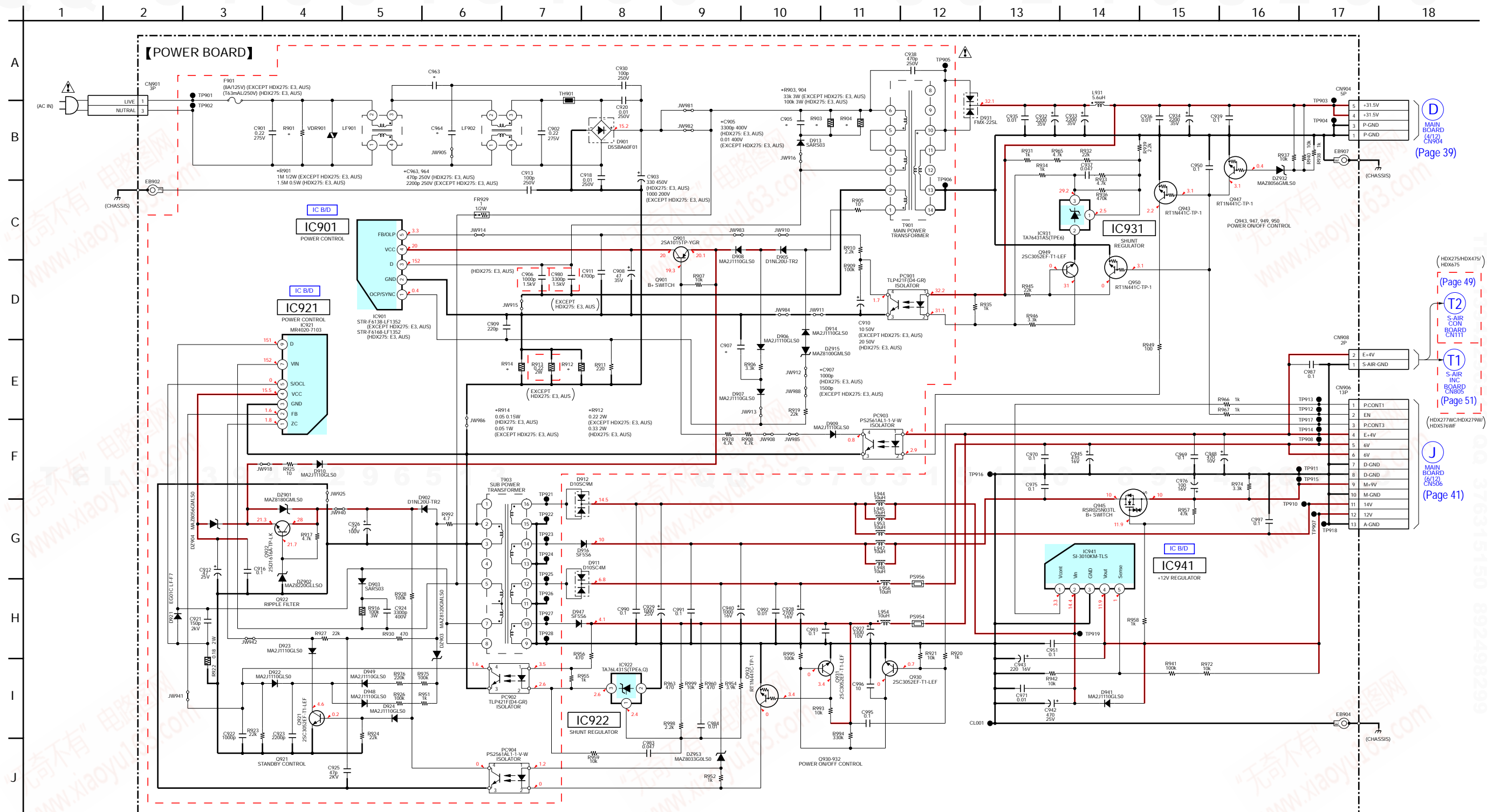
6-36. SCHEMATIC DIAGRAM - FL Board - See page 64 for Waveforms. See page 65 for IC Block Diagrams.



TEL 13942296513 QQ 376315150 892408299

TEL 13942296513 QQ 376315150 892408299

6-38. SCHEMATIC DIAGRAM - POWER Board - See page 65 for IC Block Diagrams.



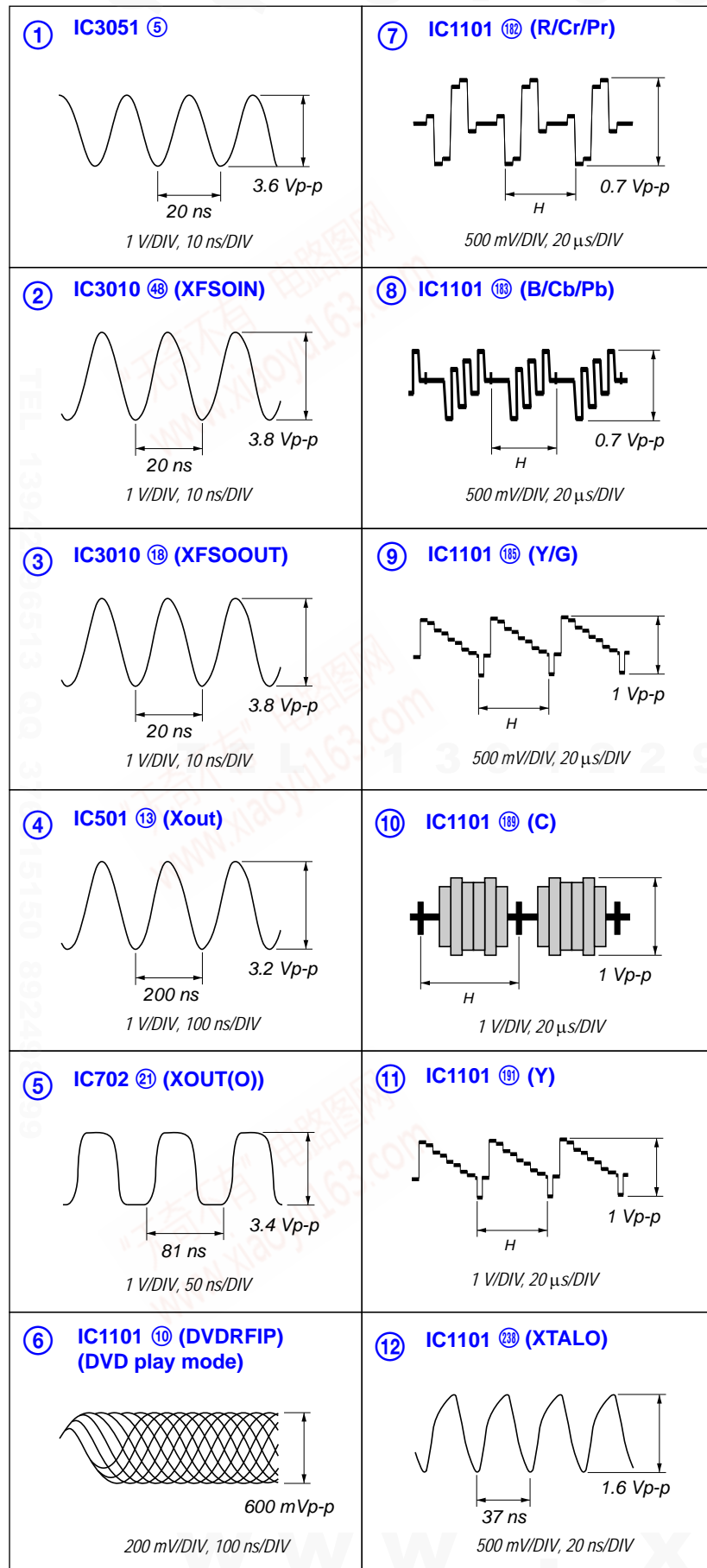
D MAIN BOARD (4/12) CN904 (Page 39)

(HDX275/HDX475/HDX675) T2 S-AIR CON BOARD CN111 (Page 49)

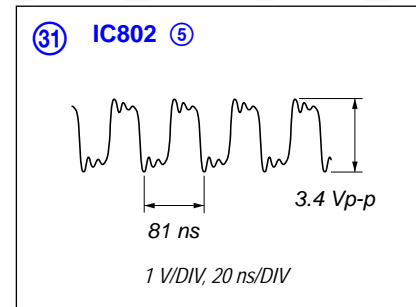
T1 S-AIR INC BOARD CN805 (Page 51)

J MAIN BOARD (5/12) CN906 (Page 41)

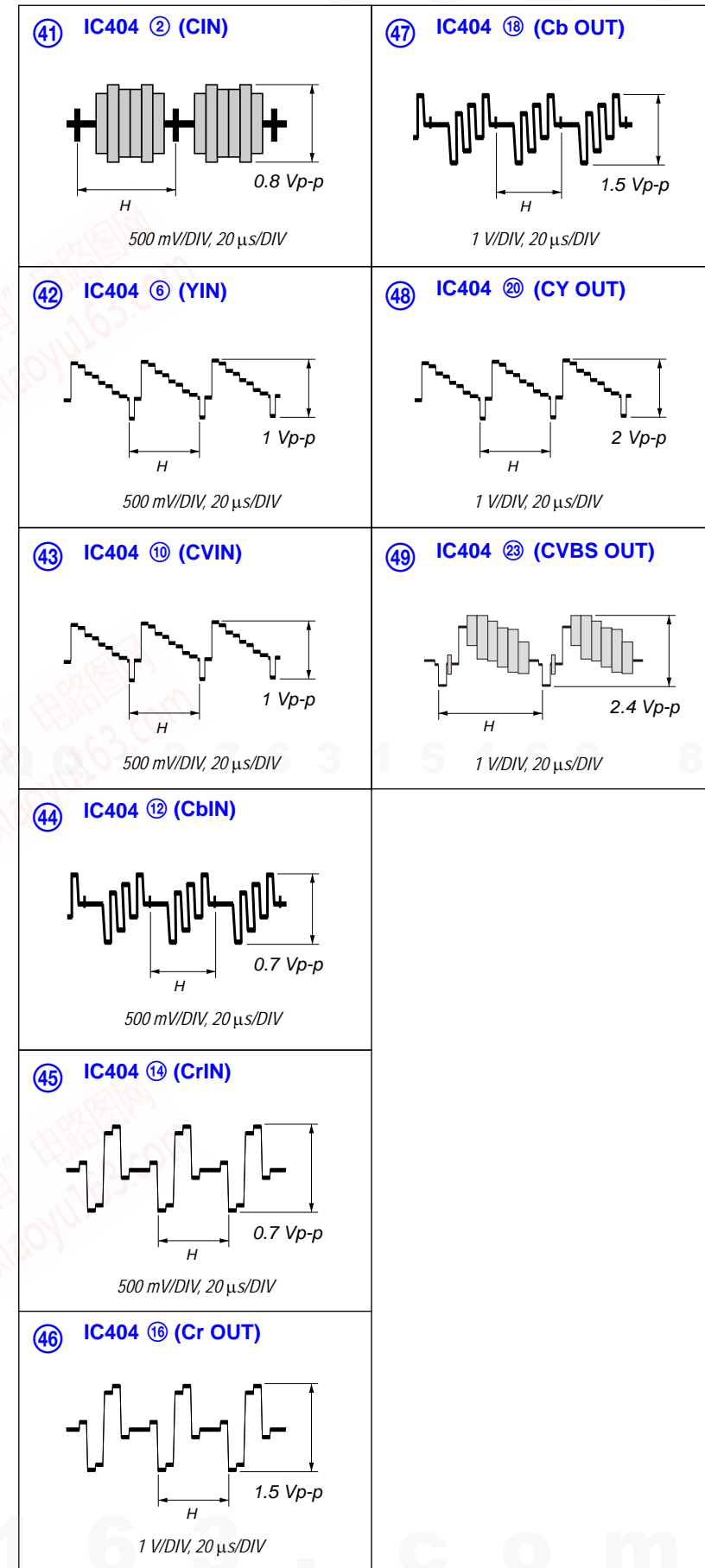
• Waveforms
- MAIN Board -



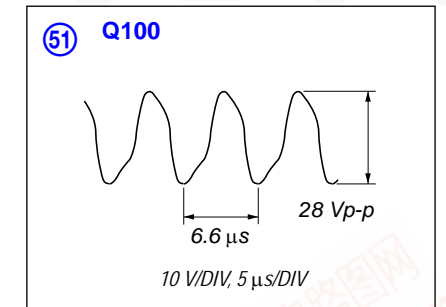
- S-AIR INC Board -



- I/O Board -



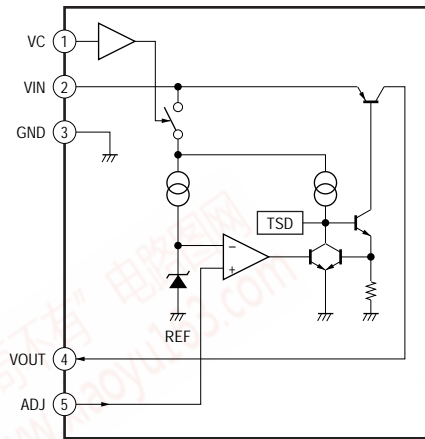
- FL Board -



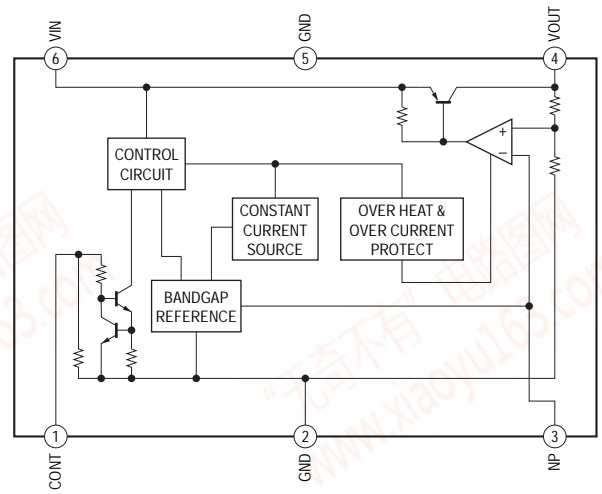
• IC Block Diagrams

– MAIN Board –

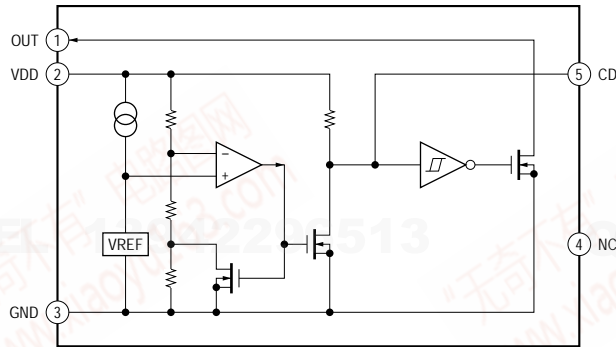
IC201, 505, 506 SI-3010KM-TLS



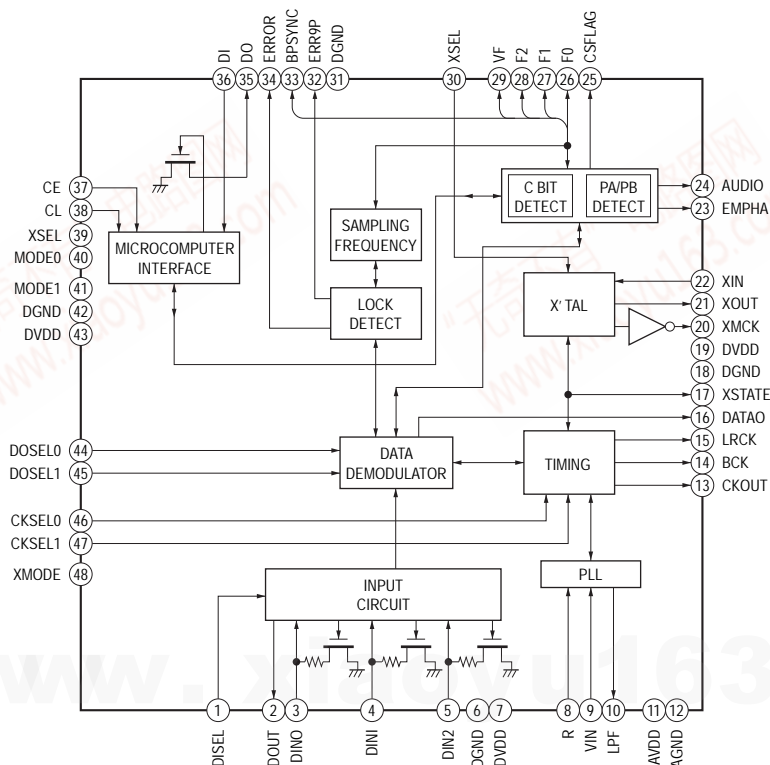
IC502 TK11250CMCL-G



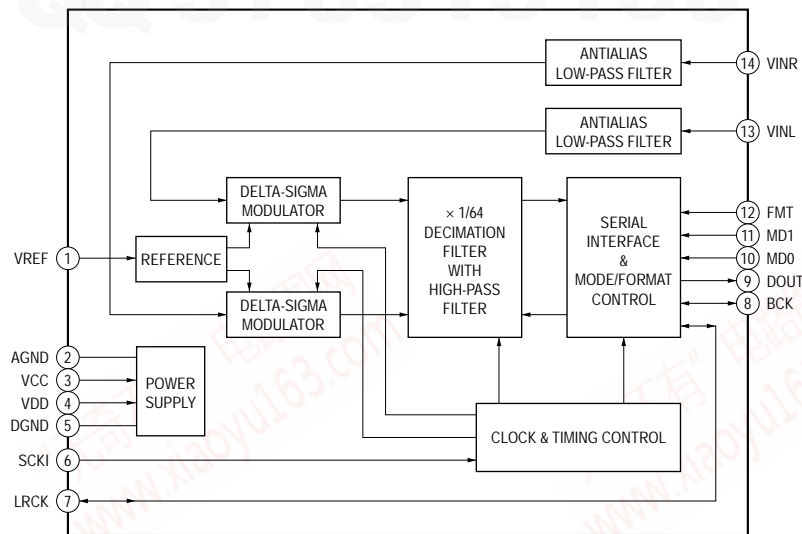
IC503 PST3635NR



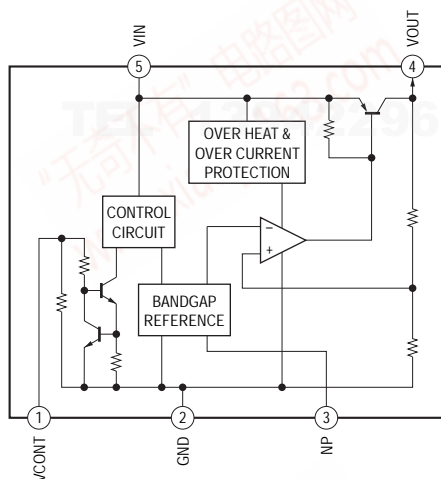
IC702 LC890561W-E



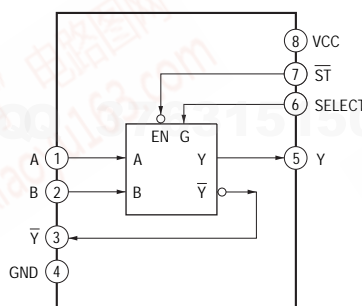
IC707 PCM1808PWR



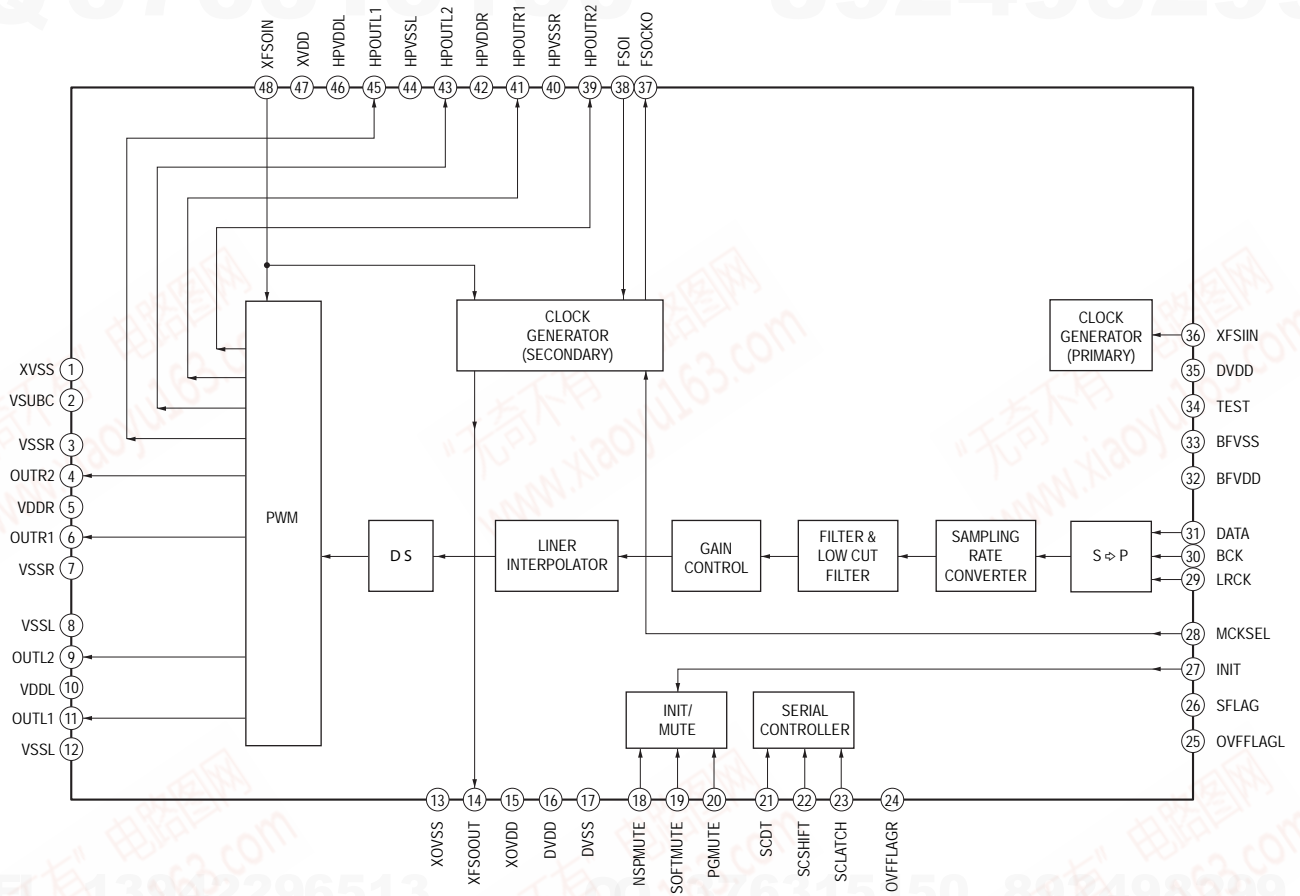
IC1105, 1107, 1708 TK11133CSCL-G
 IC1707, 507 TK11150CSCL-G
 IC3050 TK11118CSCL-G



IC3003 TC7WH157FK (TE85R)

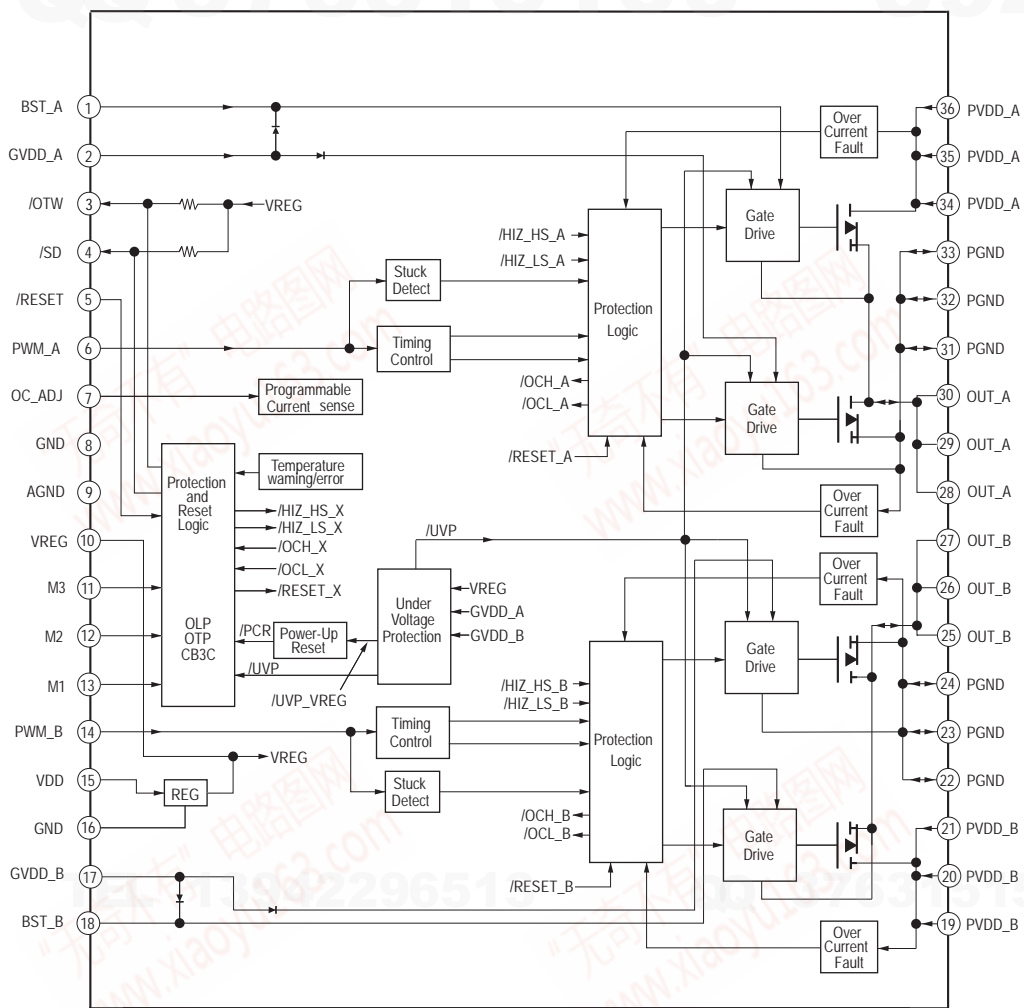


IC3010, 3020, 3030 CXD9843AR



HCD-HDX275/HDX277WC/HDX279W/HDX475/HDX576WF/HDX675

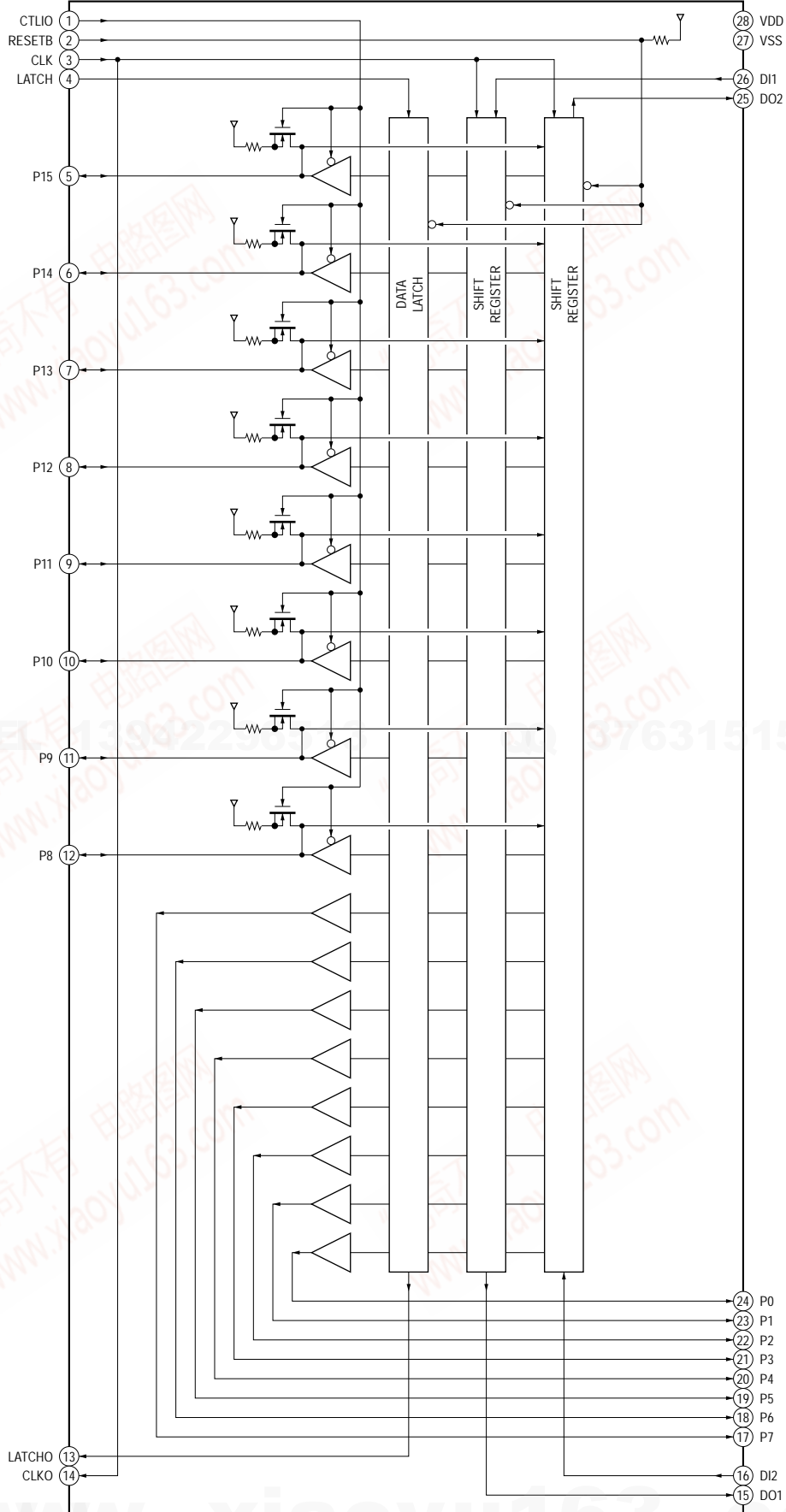
IC3100, 3150, 3200, 3250, 3300, 3400, 3500 CXD9883M



TEL: 13942296513 QQ: 376315150 892498299

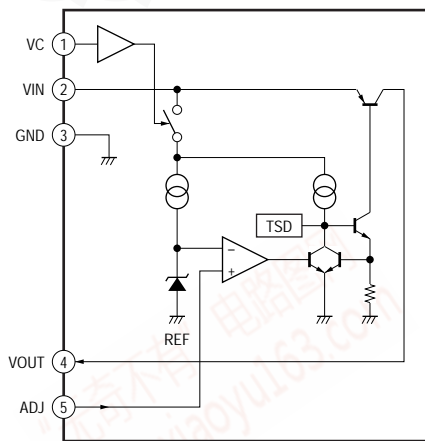
EL: 13942296513 QQ: 376315150 892498299

- SERIPARA Board -
IC650, 651 BH2210FV-E2

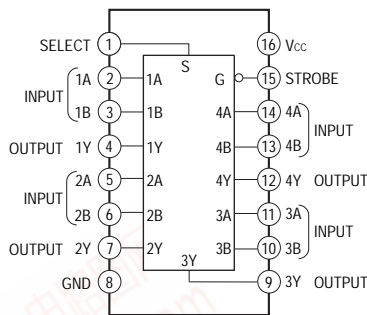


- S-AIR INC Board -

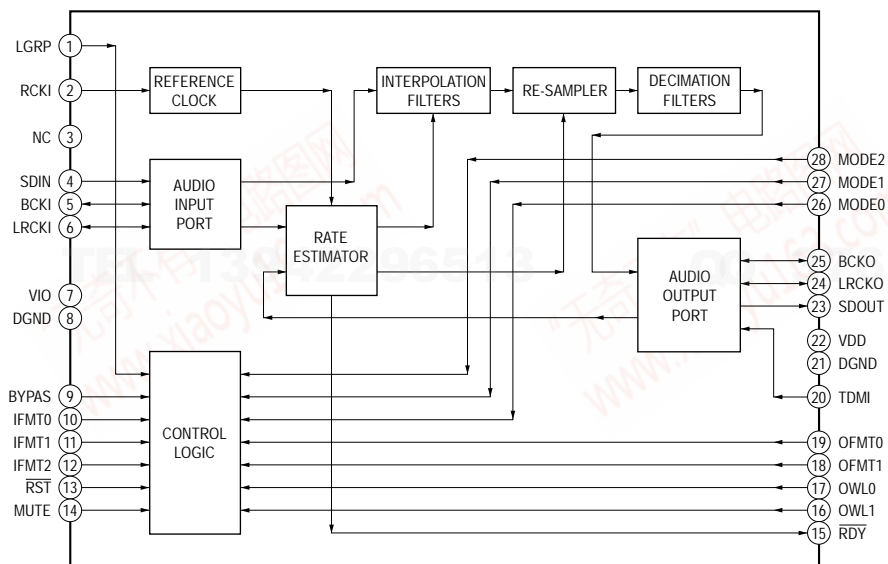
IC800 SI-3010KM-TLS



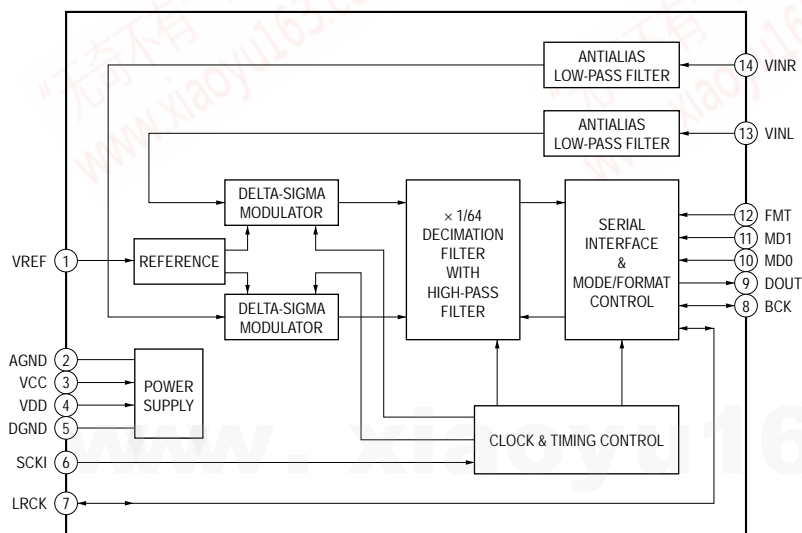
IC801 TC74VHC157FK (EL, K)



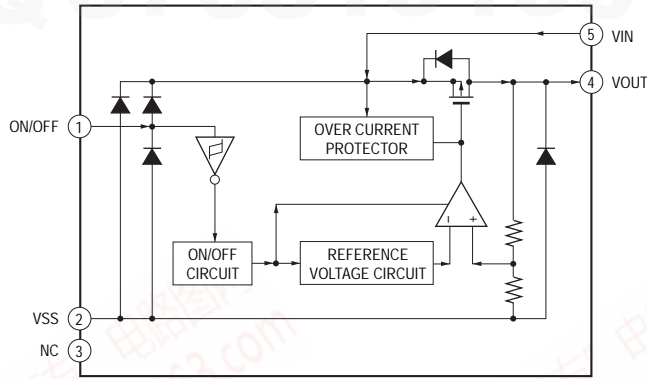
IC803, 804 SRC4182



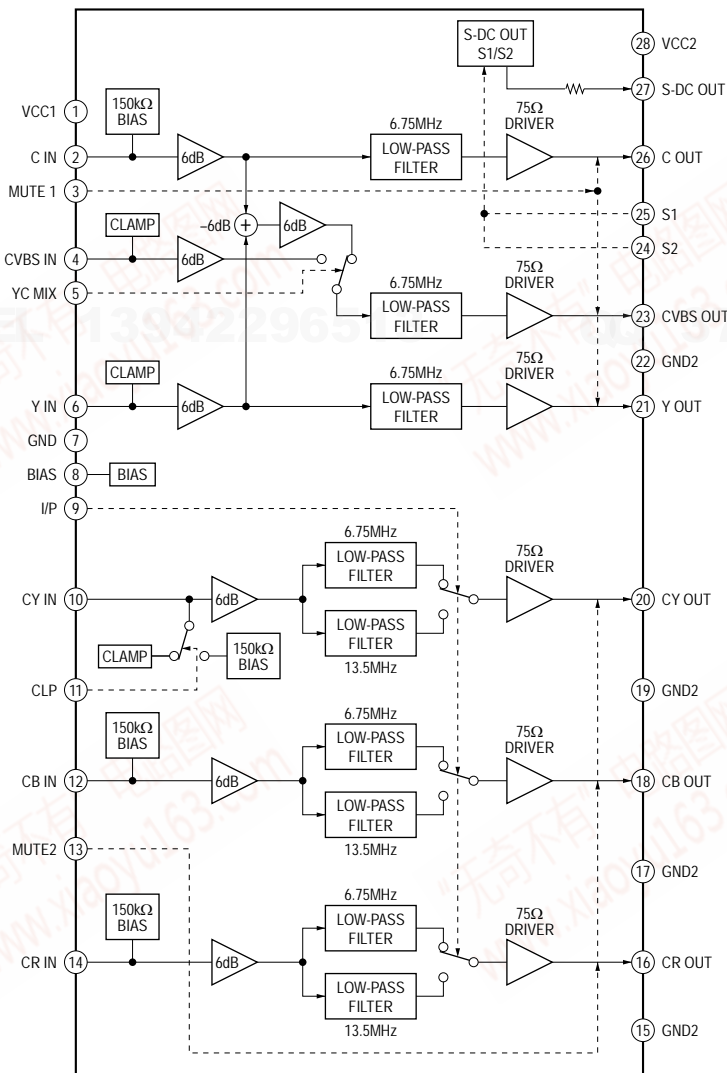
IC805 PCM1808PWR



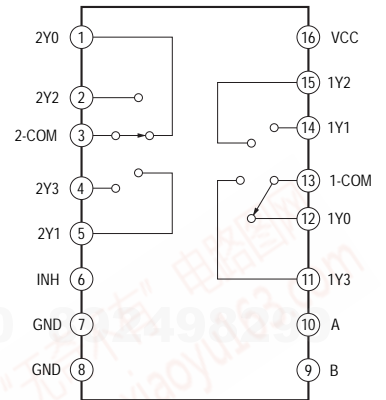
IC806 S-T111B33MC-OGSTFG



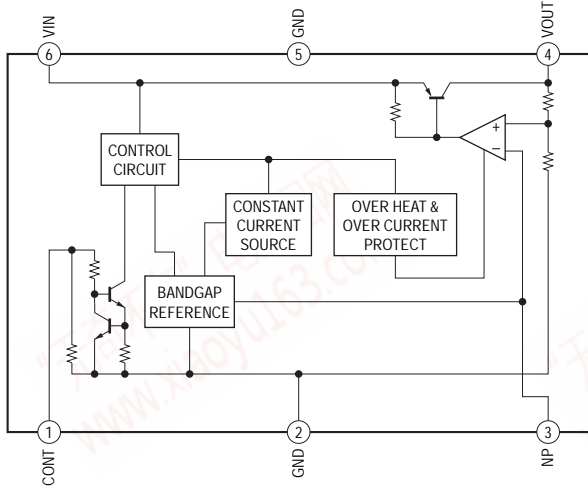
- I/O Board -
IC404 MM1758AFBE



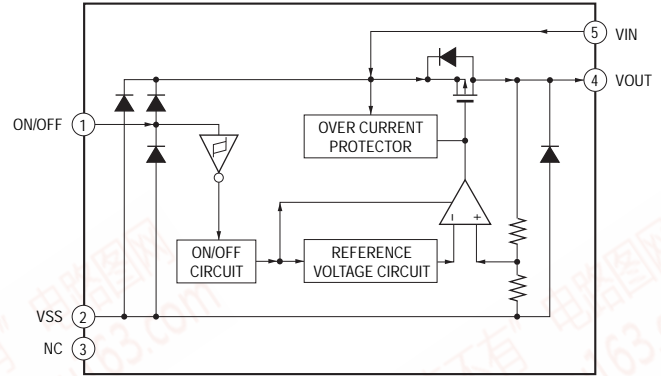
IC407, 409, 411 MC14052 BDR2



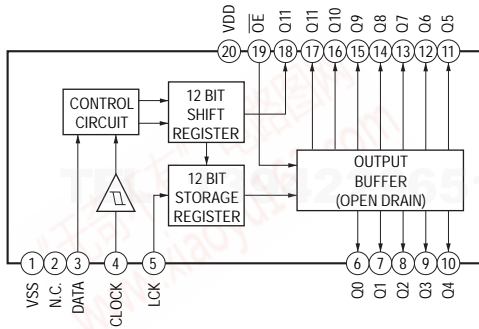
IC620 TK11150CMCL-G
(HDX275/HDX475/HDX576WF/HDX675)
IC620 TK11250CMCL-G
(HDX277WC/HDX279W)



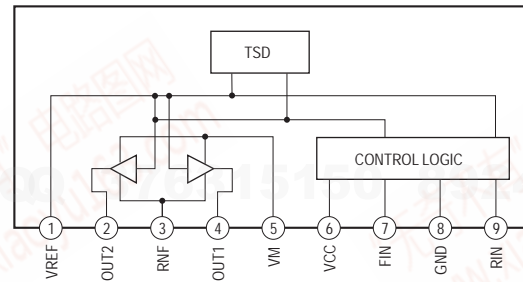
- JACK-KEY Board -
IC102 S-T111B33MC-OGSTFG



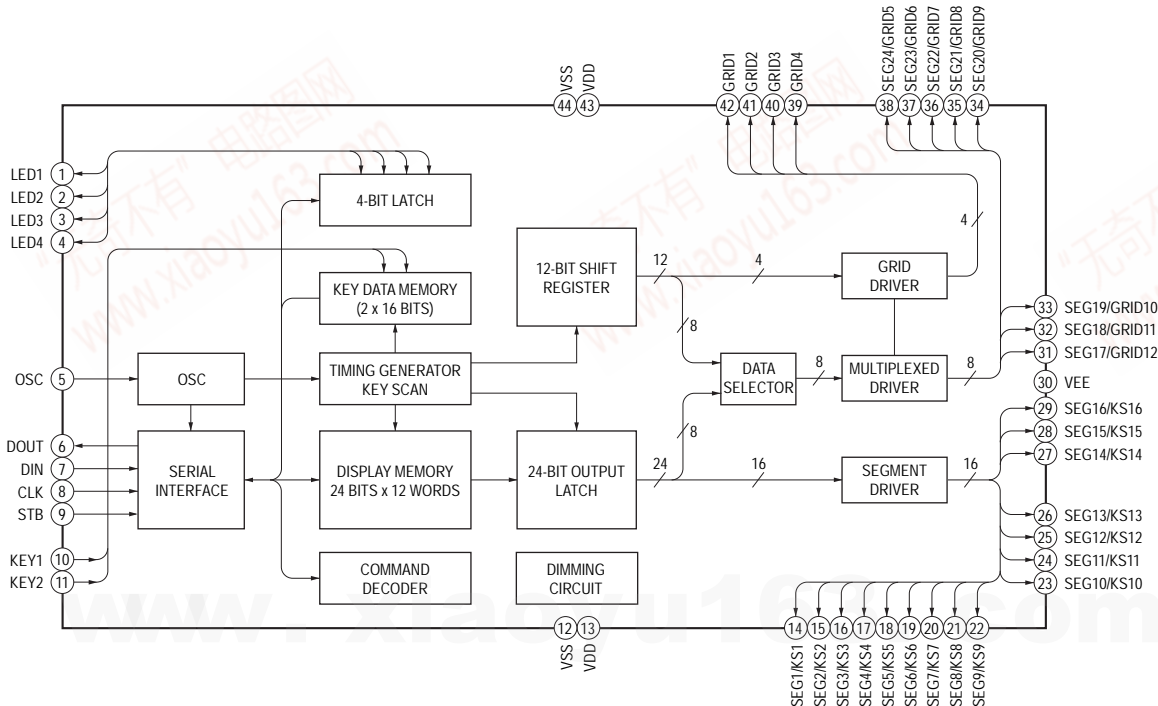
IC103 BU2099FV



- RELAY Board -
IC701, 711 BA6956AN

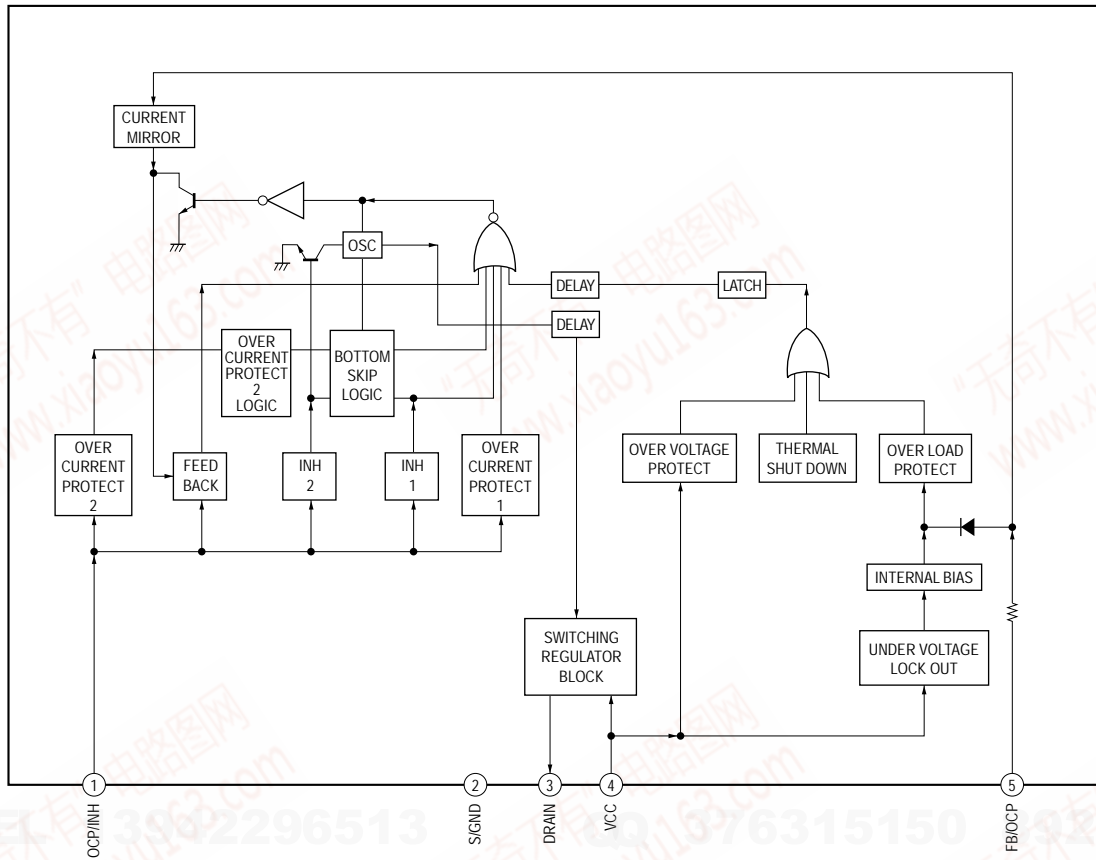


- FL Board -
IC100 PT6315

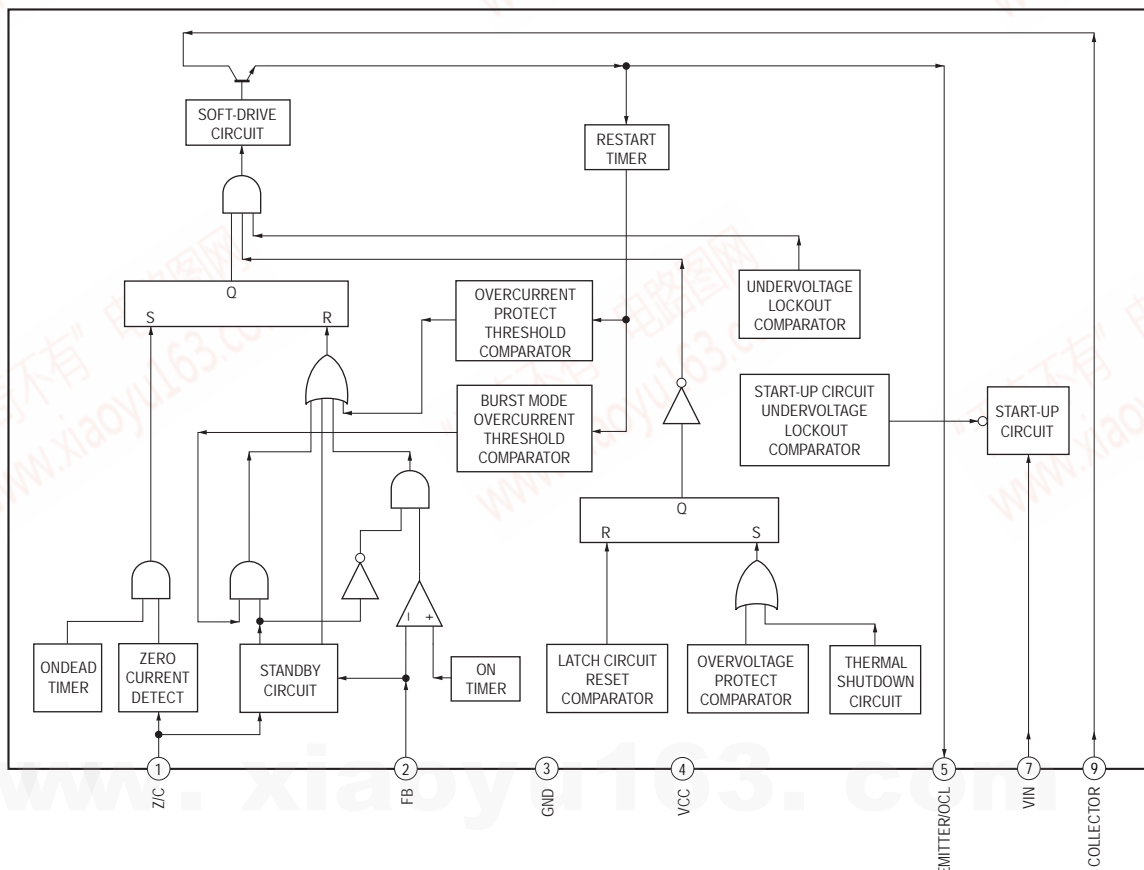


- POWER Board -

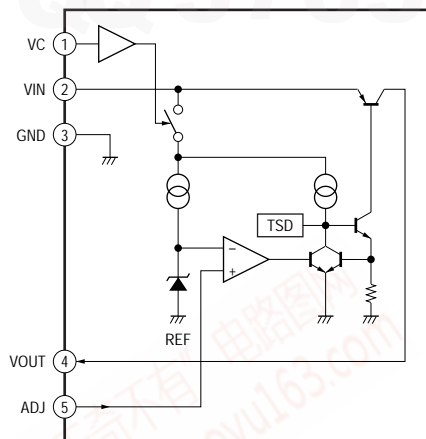
IC901 STR-F6138-LF1352
IC901 STR-F6168-LF1352



IC921 MR4020-7103



IC941 SI-3010KM-TLS



TEL 13942296513 QQ 376315150 892498299

TEL 13942296513 QQ 376315150 892498299

• IC Pin Function Description
MAIN BOARD IC501 R5F3640DDFAR (SYSTEM CONTROLLER)

Pin No.	Pin Name	I/O	Description
1	DAMP_SCD	O	Serial data output to the stream processor
2	DAMP_SHIFT	O	Serial data transfer clock signal output to the stream processor
3	CEC_RX_IN	I	CEC serial data input from the HDMI OUT connector
4	SIRCS_IN	I	SIRCS signal input from the remote control receiver
5	NO USE	O	Not used
6	NO USE	O	Not used
7	NO USE	O	Not used
8	BYTE	I	External data bus width selection signal input terminal Fixed at "L" in this set Not used
9	CNVSS	I	Processor mode switch input terminal (for test) Fixed at "L" in this set
10, 11	EN_A, EN_B	I	Jog dial pulse input from the rotary encoder (for VOLUME)
12	RESET	I	System reset signal input from the reset signal generator "L": reset For several hundreds msec. after the power supply rises, "L" is input, then it change to "H"
13	XOUT	O	Main system clock output terminal (5 MHz)
14	VSS	-	Ground terminal
15	XIN	I	Main system clock input terminal (5 MHz)
16	VCC	-	Power supply terminal (+3.3V)
17	NMI	I	Non-maskable interrupt input terminal Fixed at "H" in this set Not used
18	NO USE	O	Not used
19	A.CAL_OUT_LEVEL	I	Output level detect terminal for the auto calibration
20	AC_CUT	I	AC cut detection signal input terminal "L": AC cut on
21	FL_CLK/LED_CLK	O	Serial data transfer clock signal output to the LED driver and fluorescent indicator tube driver
22	CEC_TX_OUT	O	CEC serial data output to the HDMI OUT connector
23	FL-STB	O	Fluorescent indicator tube driver chip select signal output to the fluorescent indicator tube driver
24	FL_D_OUT/LED_DATA	O	Serial data output to the LED driver and fluorescent indicator tube driver
25	S-AIR_SRC_MUTE	O	Not used
26	MIC_GAIN	O	MIC gain control signal output terminal
27	NO USE	O	Not used
28	DC_CONT	O	Muting on/off control signal output terminal
29	DMPORX_RX_IN	I	Serial data input from the DMPORX connector
30	DMPORX_TX_OUT	O	Serial data output to the DMPORX connector
31	DVD_SID	O	Serial data output to the servo DSP
32	DVD_SOD	I	Serial data input from the servo DSP
33	DVD_SCO	I	Serial data transfer clock signal input from the servo DSP
34	DVD_XIFBUSY	O	Busy signal output to the servo DSP
35, 36	NO_USE	O	Not used
37	DVD XIFCS	I	Chip select signal input from the servo DSP
38	MTK_RST	O	Reset signal output to the servo DSP and flash memory "L": reset
39 to 41	P_CONT1 to P_CONT3	O	Power on/off control signal output terminal "H": power on
42	DRIVE_RST (EN)	O	Reset signal output to the digital power amplifier "L": reset
43	DRIVE_OCP(DIAG)/ POWER_DET	I	Shut down state input from the digital power amplifier "L": shut down
44, 45	OVERFLOW1, OVERFLOW2	I	Over flow status input from the stream processor
46	CE	I	Flash write CE Not used (Fixed to at "H" (E3.3V))
47	EEPROM_SDA/ I2C_DATA	I/O	I2C Two-way data bus with the EEPROM
48	EEPROM_SCL/ I2C_CLK	I/O	I2C data transfer clock signal input/output with the EEPROM
49	DAMP_LATCH3	O	Serial data latch pulse signal output to the stream processor
50	DAMP_INIT	O	Reset signal output to the stream processor "L": reset
51	DAMP_SOFT_MUTE	O	Soft muting on/off control signal output to the stream processor "L": muting on
52	M_ST	O	Audio selection signal output to the audio selector
53	HP_MUTE	O	Muting on/off control signal output terminal
54	S-AIR_ADC_SEL	O	Selection signal output to the data selector or EZW-T100

HCD-HDX275/HDX277WC/HDX279W/HDX475/HDX576WF/HDX675

Pin No.	Pin Name	I/O	Description
55	NO_USE	O	Not used
56	DAMP_LATCH2	O	Serial data latch pulse signal output to the stream processor (HCD-HDX275/HDX277WC/HDX475/HDX675)
57	DC_DET	I	DC offset detection signal input terminal
58	S-AIR_RST(SRC RST)	O	Reset signal output to the ASYNC sample rate converter and EZW-RT10 or EZW-T100 "L": reset
59	NO USE	O	Not used
60	NO USE	O	Not used
61	NO USE	O	Not used
62	VCC	-	Power supply terminal (+3.3V)
63	HDMI_PCONT	O	Power on/off control signal output terminal "H": power on
64	VSS	-	Ground terminal
65	DAMP_LATCH1	O	Serial data latch pulse signal output to the stream processor
66	(MIC/A.CAL_SW)/ (HP_SW and MIC2_SW)/S-AIR_DET	I	Connect detection signal input from the J100, J101 and EZW-RT10 or EZW-T100
67	S-AIR_GPIO_2	I	Interrupt signal input from the EZW-RT10 or EZW-T100
68	TUNED	I	Tuning detection signal input from the tuner (FM/AM) "L": tuned
69	ST_CLK	O	Serial data transfer clock signal output to the tuner (FM/AM)
70	ST_DO	I	Serial data input from the tuner (FM/AM)
71	ST_CE	O	Serial chip enable signal output to the tuner (FM/AM)
72	ST_DI	O	Serial data output to the tuner (FM/AM)
73	NO USE	O	Not used
74	KEY INT	I	Wake up signal input terminal
75	LED_LAT	O	Serial data latch pulse signal output to the LED driver
76	NO USE	O	Not used
77	S-AIR_I2C_SDA	I/O	I2C Two-way data bus with the EZW-RT10 or EZW-T100
78	S-AIR_I2C_SCL	I/O	I2C data transfer clock signal input/output to the EZW-RT10 or EZW-T100
79	NO USE	O	Not used
80	NO USE	O	Not used
81	NO USE	O	Not used
82, 83	V_SEL0, V_SEL1	O	Video signal input selection signal output terminal
84	IO_CE	O	Serial data latch pulse signal output to the changer control
85	IO_RESET	O	Reset signal output to the changer control "L": reset
86	IO_DI	O	Serial data output to the changer control
87	IO_DO	I	Serial data input from the changer control
88	IO_CLK	O	Serial data transfer clock signal output to the changer control
89	DMPORT_DET	I	Connect detection signal input from the DMPORT connector
90	MONO/ST_DET	I	MONO or STEREO detection signal input terminal
91	A.CAL_MIC_LEVEL	I	MIC level detection terminal for the AUDIO IN/A.CAL MIC jack
92	DESTINATION	I	Setting terminal for the destination
93	MODEL	I	Setting terminal for the model
94, 95	KEY2, KEY1	I	Front panel key input terminal (A/D input)
96	VSS	-	Ground terminal
97	KEY0	I	Front panel key input terminal (A/D input)
98	VREF	-	Reference voltage (+3.3V) terminal
99	VCC	-	Power supply terminal (+3.3V)
100	NO USE	O	Not used

**MAIN BOARD IC1101 CXD9917R (HCD-HDX275:E3, AUS), CXD9927R (EXCEPT HCD-HDX275:E3, AUS)
 (RF AMP, SERVO DSP, MPEG DECODER, HDMI TRANSMITTER)**

Pin No.	Pin Name	I/O	Description
1	OSN	O	RF offset cancellation capacitor connecting terminal
2	RFGC	O	RF AGC loop capacitor connecting for DVD-ROM
3	IREF	I	Reference current input terminal
4	AVDD3	-	Power supply terminal (+3.3V)
5	AGND	-	Ground terminal
6	DVDA	I	AC coupled input path A
7	DVDB	I	AC coupled input path B
8	DVDC	I	AC coupled input path C
9	DVDD	I	AC coupled input path D
10	DVDRF IP	I	AC coupled DVD RF signal input from the optical pick-up block
11	MA	I	DC coupled main-beam RF signal input A
12	MB	I	DC coupled main-beam RF signal input B
13	MC	I	DC coupled main-beam RF signal input C
14	MD	I	DC coupled main-beam RF signal input D
15	SA	I	DC coupled sub-beam RF signal input A Not used
16	SB	I	DC coupled sub-beam RF signal input B Not used
17	TNI	I	3 beam satellite PD signal negative input from the optical pick-up block
18	TPI	I	3 beam satellite PD signal positive input from the optical pick-up block
19, 20	MDI1, MDI2	I	Laser power monitor input from the optical pick-up block
21	LDO2	O	Laser diode drive signal output to the optical pick-up block (for DVD)
22	LDO1	O	Laser diode drive signal output to the optical pick-up block (for CD)
23	SVDD3	-	Power supply terminal (+3.3V)
24	CSO	O	Central servo signal output terminal Not used
25	RFLVL	O	RFRP low pass output terminal Not used
26	SGND	-	Ground terminal
27	V2REFO	O	Reference voltage (+2.8V) output terminal Not used
28	V2O	O	Reference voltage (+2V) output to the optical pick-up block
29	VREFO	O	Reference voltage (+1.4V) output terminal
30	FEO	O	Focus error monitor output terminal Not used
31	TEO	O	Tracking error monitor output terminal Not used
32	TEZISLV	O	Reference voltage (+2V) output to the optical pick-up block
33	OP_OUT	O	Output from the internal operational amplifier Not used
34	OP_INN	I	Negative input to the internal operational amplifier Not used
35	OP_INP	I	Positive input to the internal operational amplifier Not used
36	DMO	O	Spindle motor control signal output to the motor driver
37	FMO	O	Sled motor control signal output to the motor driver
38	TROPENPWM	O	Loading motor control signal output terminal Not used
39	IOPMON	I	Power monitor terminal
40	TRO	O	Tracking coil control signal output to the coil driver
41	FOO	O	Focus coil control signal output to the coil driver
42	AGND18	-	Ground terminal
43	AVDD18	-	Power supply terminal (+1.8V)
44	USB_DP	-	Not used
45	USB_DM	-	Not used
46	USB_VDD3	-	Power supply terminal (+3.3V)
47	USB_VSS	-	Ground terminal
48	PAD_VRT	-	Not used
49	USB_VDD18	-	Power supply terminal (+1.8V)
50	USB_VSS	-	Ground terminal
51	DIR_ERROR	O	PLL lock error signal and data error flag output to the digital audio interface receiver
52	DIR_AUDIO	O	PCM audio data output to the digital audio interface receiver
53	LIMITSW	I	Limit detection switch input terminal
54	MSW	O	CD/DVD selection signal output terminal "L": CD, "H": DVD
55	DVDD18	-	Power supply terminal (+1.8V)

HCD-HDX275/HDX277WC/HDX279W/HDX475/HDX576WF/HDX675

Pin No.	Pin Name	I/O	Description
56 to 64	HA2 to HA8, HA18, HA19	O	Address signal output to the flash ROM
65	DVDD3	-	Power supply terminal (+3.3V)
66	XWR	O	Write enable signal output to the flash ROM
67 to 75	HA16 to HA9, HA20	O	Address signal output to the flash ROM
76	XROMCS	O	Chip select signal output to the flash ROM
77	HA1	O	Address signal output to the flash ROM
78	XRD	O	Read enable signal output to the flash ROM
79, 80	HD0, HD1	I/O	Two-way data bus terminal with the flash ROM
81	DVSS	-	Ground terminal
82 to 86	HD2 to HD6	I/O	Two-way data bus terminal with the flash ROM
87	HA21	O	Address signal output to the flash ROM
88	RESERVED	-	Not used
89	HD7	I/O	Two-way data bus terminal with the flash ROM
90	DVSS	-	Ground terminal
91, 92	HA17, HA0	O	Address signal output to the flash ROM
93	DVDD18	-	Power supply terminal (+1.8V)
94	FWD	O	Loading motor drive signal output terminal (forward direction) Not used
95	REV	O	Loading motor drive signal output terminal (reverse direction) Not used
96	DVDD3	-	Power supply terminal (+3.3V)
97	IFSDO	O	Serial data output to the system controller
98	IFCK	O	Serial data transfer clock signal output to the system controller
99	xIFCS	O	Chip select signal output to the system controller
100	IFSDI	I	Serial data input from the system controller
101	SCL	O	Serial data transfer clock signal output to the EEPROM and HDMI transmitter
102	SDA	I/O	Two-way data bus with the EEPROM and HDMI transmitter
103	CKSW	I	Chucking detection switch input terminal Not used
104	OCSW	I	Disc table open/close detection switch input terminal Not used
105	RXD	I	Receive data input terminal for UART communication when data writing to flash memory
106	TXD	O	Transmit data output terminal for UART communication when data writing to flash memory
107	ICE	I	ICE mode enable signal input terminal Not used
108	xSYSRST	I	Reset signal input from the system controller "L": reset
109	RESERVED	-	Not used
110	IFBSY	I	Busy signal input from the system controller
111	DQM0	O	Data mask signal output to the SD-RAM
112	EEWP	O	Write protect signal output to the EEPROM
113 to 117	RD7 to RD3	I/O	Two-way data bus with the SD-RAM
118	DVDD3	-	Power supply terminal (+3.3V)
119 to 129	RD2 to RD0, RD15 to RD8	I/O	Two-way data bus with the SD-RAM
130	TSD_M	O	Thermal shut down signal output to the motor/coil driver
131	DVDD3	-	Power supply terminal (+3.3V)
132	DQM1	O	Data mask signal output to the SD-RAM
133	RWE	O	Write enable signal output to the SD-RAM
134	CAS	O	Column address strobe signal output to the SD-RAM
135	RAS	O	Row address strobe signal output to the SD-RAM
136	RCS	O	Chip select signal output to the SD-RAM
137, 138	BA0, BA1	O	Bank address signal output to the SD-RAM
139 to 141	RA10, RA0, RA1	O	Address signal output to the SD-RAM
142	DVDD18	-	Power supply terminal (+1.8V)
143, 144	RA2, RA3	O	Address signal output to the SD-RAM
145	DVDD3	-	Power supply terminal (+3.3V)
146	DRCLK	O	Serial data transfer clock signal output to the SD-RAM
147	CKE	O	Clock enable signal output to the SD-RAM
148	DVSS	-	Ground terminal
149 to 155	RA11, RA9 to RA4	O	Address signal output to the SD-RAM

Pin No.	Pin Name	I/O	Description
156	DVDD3	-	Power supply terminal (+3.3V)
157	MUTE123	O	Muting signal output to the motor/coil driver
158	MUTE	O	Muting signal output to the motor/coil driver
159	DDC_DA	O	Serial data transfer clock signal output to the HDMI OUT connector
160	DVDD18	-	Power supply terminal (+1.8V)
161	DDC_CLK	I/O	Two-way data bus with the HDMI OUT connector
162	HTPLG	I	HDMI hot-plug detection signal input terminal
163	AGND3	-	Ground terminal
164	EXT_RES	-	Not used
165, 166	AVDD3	-	Power supply terminal (+3.3V)
167	EXT_CAP	-	Not used
168, 169	AGND3, AGND18	-	Ground terminal
170	TXCN	O	TMDS clock signal (negative) output to the HDMI OUT connector
171	TXCP	O	TMDS clock signal (positive) output to the HDMI OUT connector
172	AVDD18	-	Power supply terminal (+1.8V)
173	TX0N	O	TMDS data (negative) output to the HDMI OUT connector
174	TX0P	O	TMDS data (positive) output to the HDMI OUT connector
175	AGND18	-	Ground terminal
176	TX1N	O	TMDS data (negative) output to the HDMI OUT connector
177	TX1P	O	TMDS data (positive) output to the HDMI OUT connector
178	AVDD18	-	Power supply terminal (+1.8V)
179	TX2N	O	TMDS data (negative) output to the HDMI OUT connector
180	TX2P	O	TMDS data (positive) output to the HDMI OUT connector
181	AGND18	-	Ground terminal
182, 183	R/Cr/Pr, B/Cb/Pb	O	Component video signal output to the video amplifier
184	DACVSSA	-	Ground terminal
185	Y/G	O	Component video signal output to the video amplifier
186	DACVDDA	-	Power supply terminal (+3.3V)
187	CVBS	O	Video signal output to the video amplifier Not used
188	DACVSSB	-	Ground terminal
189	C	O	Chroma signal output to the video amplifier
190	DACVDDB	-	Power supply terminal (+3.3V)
191	Y	O	Y signal output to the video amplifier
192	DACVSSC	-	Ground terminal
193	FS	-	Full scale adjustment terminal
194	VREF	-	For reference voltage terminal
195	DACVDDC	-	Power supply terminal (+3.3V)
196	VBUS_OE	-	Not used
197	VBUS_OC	-	Not used
198	DIR_XSTATE	I	Source clock switching monitor input from the digital audio interface receiver
199	SPMCK	O	Master clock signal output to the digital audio interface receiver
200	SPBCK	O	Bit clock signal output to the digital audio interface receiver
201	SPLRCK	O	L/R sampling clock signal output to the digital audio interface receiver
202	ADIN(SPDATA)	I	Audio serial data input from the digital audio interface receiver
203	ACLK	O	Master clock signal output to the buffer
204	ABCK	O	Bit clock signal output to the buffer
205	ALRCK	O	L/R sampling clock signal output to the buffer
206	MC_DATA(ADIN)	I	Audio serial data input from the A/D converter
207	DVDD3	-	Power supply terminal (+3.3V)
208	MIC	-	Not used
209	WIDE	O	Normal/squeeze selection signal output to the video amplifier "L": normal, "H": squeeze Not used
210	REG_SEL/DSEL	-	Not used
211	TRG_SW	I	Trigger detection switch input terminal Not used
212	DVDD18	-	Power supply terminal (+1.8V)
213	KMOD	-	Not used

HCD-HDX275/HDX277WC/HDX279W/HDX475/HDX576WF/HDX675

Pin No.	Pin Name	I/O	Description
214	XVOICE/DIR_CSFCAG	I	Detection of MIC signal input from the digital audio interface receiver
215	SPDIF	O	SPDIF digital audio signal output terminal Not used
216	APLLVDD3	-	Power supply terminal (+3.3V)
217	APLLCAP	-	Connection terminal for an external capacitor
218	APLLVSS	-	Ground terminal
219, 220	ADACVSS2, ADACVSS1	-	Ground terminal
221	DIR_CE	-	Not used
222, 223	ASDATA3, ASDATA2	O	Audio serial data output to the buffer
224	AVCM	-	Not used
225, 226	ASDATA1, ASDATA0	O	Audio serial data output to the buffer
227	DIR_CL	-	Not used
228, 229	ADACVDD1, ADACVDD2	-	Power supply terminal (+3.3V)
230	DIR_DI	I	Serial data input from the digital audio interface receiver
231	DIR_DO	O	Serial data output to the digital audio interface receiver
232	ADACVSS1	-	Ground terminal
233	ADACVDD1	-	Power supply terminal (+3.3V)
234	SADCVDD18	-	Power supply terminal (+1.8V)
235	SADCVSS18	-	Ground terminal
236	RFGND18	-	Ground terminal
237	RFVDD18	-	Power supply terminal (+1.8V)
238	XTALO	O	System clock output terminal (27 MHz)
239	XTALI	I	System clock input terminal (27 MHz)
240	JITFO	O	Output terminal of the RF jitter meter
241	JITFN	I	Input terminal of the RF jitter meter
242	PLLVSS	-	Ground terminal
243	PLLVDD3	-	Power supply terminal (+3.3V)
244	LPFON	O	Data PLL loop filter output terminal
245	LPFIP	I	Data PLL loop filter input terminal
246	LPFIN	I	Data PLL loop filter input terminal
247	LPFOP	O	Data PLL loop filter output terminal
248	ADCVDD3	-	Power supply terminal (+3.3V)
249	ADCVSS	-	Ground terminal
250	RFVDD3	-	Power supply terminal (+3.3V)
251	RFRPDC	O	RF ripple detect output terminal
252	RFRPAC	I	RF ripple detect input terminal
253	HRFZC	I	High frequency RF ripple zero crossing terminal
254	CRTPLP	O	Defect level filter capacitor connecting terminal
255	RFGND18	-	Ground terminal
256	OSP	O	RF offset cancellation capacitor connecting terminal

SECTION 7 EXPLODED VIEWS

Note:

- XX and -X mean standardized parts, so they may have some difference from the original one.
- Items marked "*" are not stocked since they are seldom required for routine service. Some delay should be anticipated when ordering these items.
- The mechanical parts with no reference number in the exploded views are not supplied.

- Color Indication of Appearance Parts Example:
KNOB, BALANCE (WHITE) . . . (RED)
Parts Color Cabinet's Color
- Abbreviation
AUS : Australian model
CND : Canadian model
E3 : 240V AC area in E model

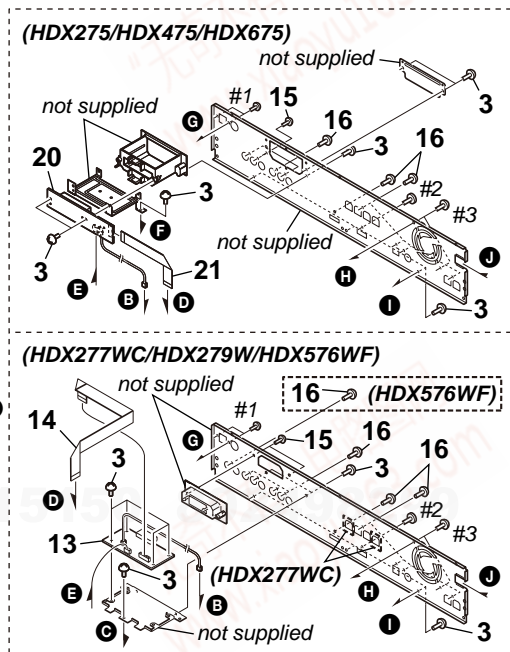
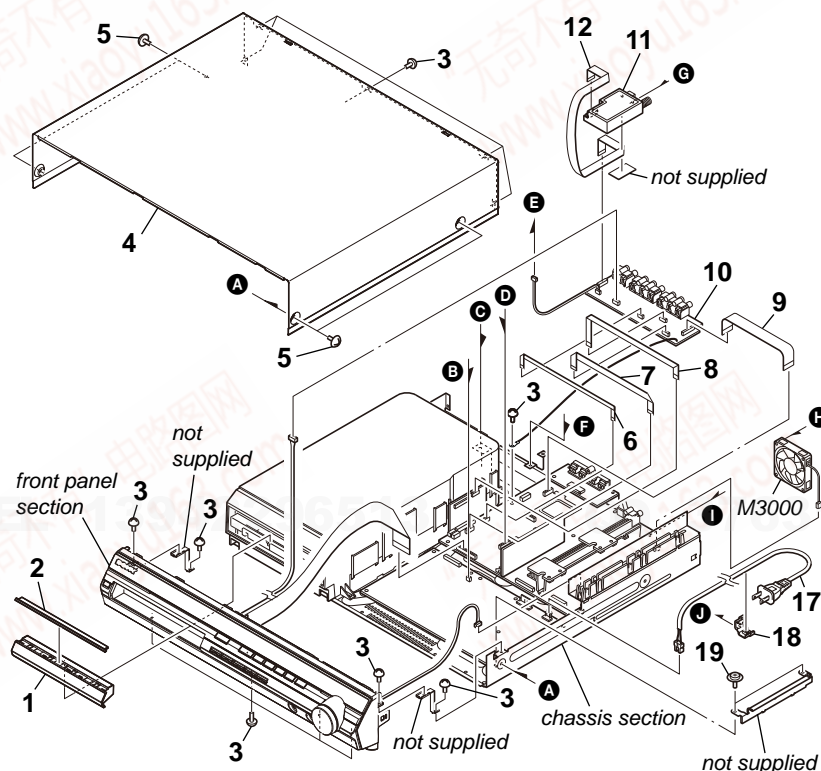
The components identified by mark △ or dotted line with mark △ are critical for safety. Replace only with part number specified.

Les composants identifiés par une marque △ sont critiques pour la sécurité. Ne les remplacer que par une pièce portant le numéro spécifié.

The components identified by mark ⊠ contain confidential information. Strictly follow the instructions whenever the components are repaired and/or replaced.

Les composants identifiés par la marque ⊠ contiennent des informations confidentielles. Suivre scrupuleusement les instructions chaque fois qu'un composant est remplacé et / ou réparé.

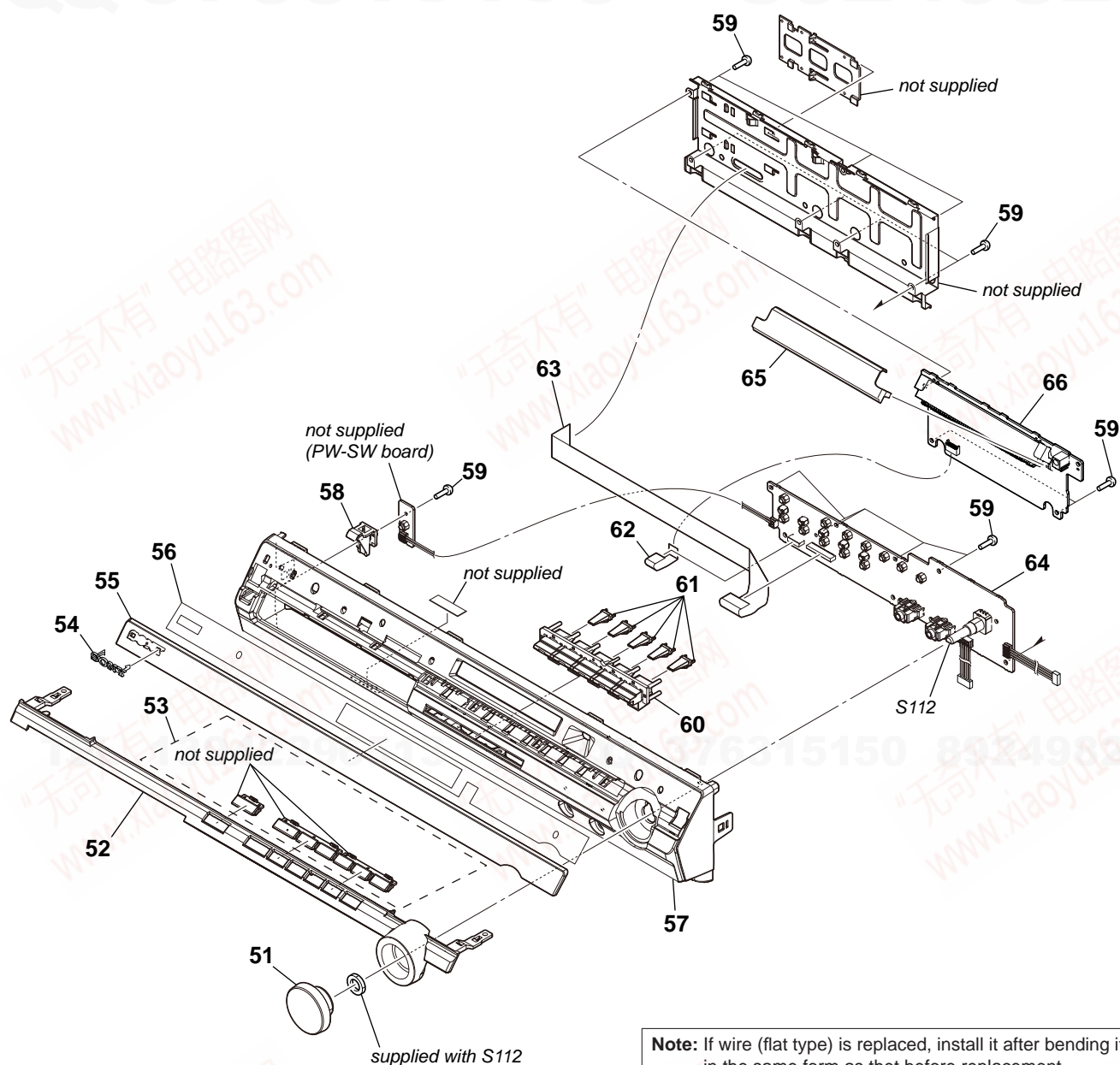
7-1. CASE SECTION



Note: If wire (flat type) is replaced, install it after bending it in the same form as that before replacement.

Ref. No.	Part No.	Description	Remark	Ref. No.	Part No.	Description	Remark
1	3-278-568-01	PANEL (DCR), LOADING		14	1-828-352-11	WIRE (FLAT TYPE) (17 CORE) (HDX277WC/ HDX279W/HDX576WF)	
2	3-278-569-01	ORNAMENT, LOADING (HDX675)		15	3-077-331-11	+BV3 (3-CR) (HDX275/HDX277WC/HDX279W/ HDX475/HDX576WF/HDX675)	
2	3-278-569-11	ORNAMENT, LOADING (EXCEPT HDX675)		16	3-077-331-01	+BV3 (3-CR)	
3	3-077-331-21	+BV3 (3-CR)		△ 17	1-834-966-21	CORD, POWER (E3)	
4	3-278-577-12	CASE (DCR)		△ 17	1-834-967-21	CORD, POWER (AUS)	
5	3-363-099-22	SCREW (CASE 3 TP2)		△ 17	1-834-978-11	CORD, POWER (US, CND)	
6	1-828-290-11	WIRE (FLAT TYPE) (5 CORE)		18	3-703-244-00	BUSHING (2104), CORD	
7	1-828-310-11	WIRE (FLAT TYPE) (9 CORE)		19	2-677-839-01	+PWH 3X8 (SUMITITE)	
8	1-828-301-11	WIRE (FLAT TYPE) (7 CORE)		20	A-1438-875-A	S-AIR CON PWB BOARD, COMPLETE (HDX275/HDX475/HDX675)	
9	1-828-347-11	WIRE (FLAT TYPE) (17 CORE)		21	1-828-350-11	WIRE (FLAT TYPE) (17 CORE) (HDX275/HDX475/ HDX675)	
10	A-1436-211-A	I/O BOARD, COMPLETE (HDX275/HDX475/HDX675)		M3000	1-787-396-11	D.C. FAN (50 SQUARE)	
10	A-1436-346-A	I/O BOARD, COMPLETE (HDX576WF)		#1	7-685-871-01	SCREW +BVTT 3X6 (S)	
10	A-1539-127-A	I/O BOARD, COMPLETE (HDX277WC/HDX279W)		#2	7-682-547-04	SCREW +B 3X6	
11	1-693-761-11	TUNER (FM/AM) (E3, AUS)		#3	7-685-647-79	SCREW +BVTP 3X10 TYPE2 IT-3	
11	1-693-762-11	TUNER (FM/AM) (US, CND)					
12	1-828-955-11	WIRE (FLAT TYPE) (9 CORE)					
13	A-1436-297-A	S-AIR INC BOARD, COMPLETE (HDX277WC/HDX279W/HDX576WF)					

7-2. FRONT PANEL SECTION

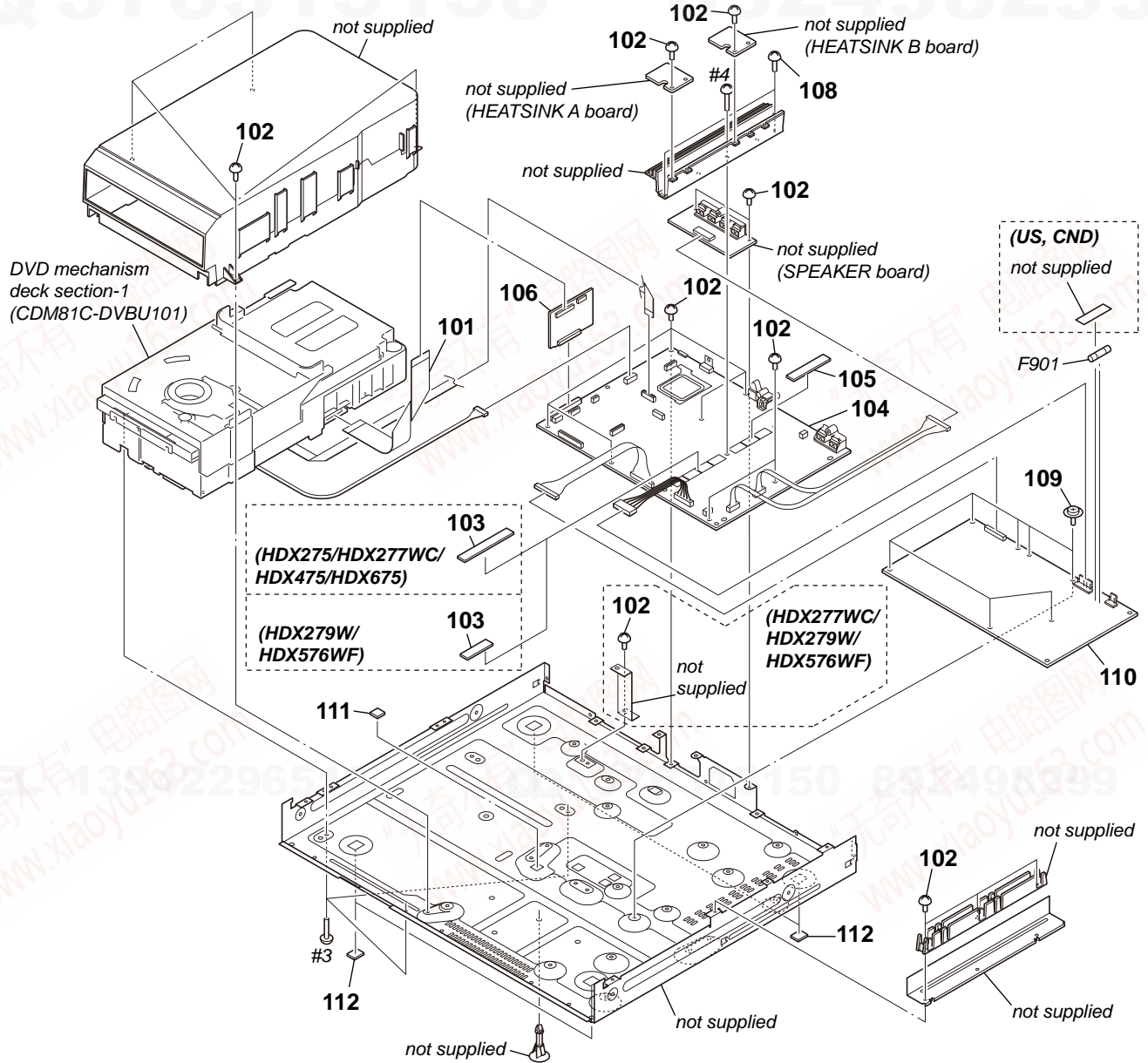


Note: If wire (flat type) is replaced, install it after bending it in the same form as that before replacement.

Ref. No.	Part No.	Description	Remark
51	2-892-548-01	KNOB (VOL)	
52	3-278-567-03	PLATE (DCR), ORNAMENT (HDX675)	
52	3-278-567-13	PLATE (DCR), ORNAMENT (EXCEPT HDX675)	
53	3-273-728-01	BUTTON (PLAY-SP) (⏪, ▷, ⏩, □, ⏮, ⏭, ⏯, FUNCTION) (EXCEPT HDX675)	
53	3-273-729-02	BUTTON (PLAY) (⏪, ▷, ⏩, □, ⏮, ⏭, ⏯, FUNCTION) (HDX675)	
54	3-943-995-01	EMBLEM (NO.5), SONY	
55	3-278-565-11	WINDOW (DCR-1), INDICATION (HDX675)	
55	3-278-565-41	WINDOW (DCR-1), INDICATION (HDX576WF)	
55	3-278-565-51	WINDOW (DCR-1), INDICATION (HDX475)	
55	3-278-565-61	WINDOW (DCR-1), INDICATION (HDX277WC)	
55	3-278-565-81	WINDOW (DCR-1), INDICATION (HDX275)	
55	3-278-566-01	WINDOW (DCR-2), INDICATION (HDX279W)	
56	3-282-922-01	SHEET (DCR WINDOW), ADHESIVE	
57	3-278-564-23	PANEL, FRONT (DCR-1) (HDX277WC/HDX279W/HDX576WF)	

Ref. No.	Part No.	Description	Remark
57	3-278-564-33	PANEL, FRONT (DCR-1) (HDX275: E3, AUS)	
57	3-278-564-43	PANEL, FRONT (DCR-1) (HDX275: US/HDX475/HDX675)	
58	3-278-570-01	BUTTON (POWER-DCR)	
59	3-087-053-01	+BVTP2.6 (3CR)	
60	3-278-571-01	BUTTON (DISC)	
61	3-278-572-01	INDICATOR (DISC)	
62	1-828-306-11	WIRE (FLAT TYPE) (9 CORE)	
63	1-828-374-11	WIRE (FLAT TYPE) (21 CORE)	
64	A-1436-204-A	JACK-KEY BOARD, COMPLETE	
65	3-273-732-01	FILTER, COLOR	
66	A-1436-203-A	FL BOARD, COMPLETE	
S112	1-480-136-31	ENCODER, ROTARY (12 TYPE) (VOLUME)	

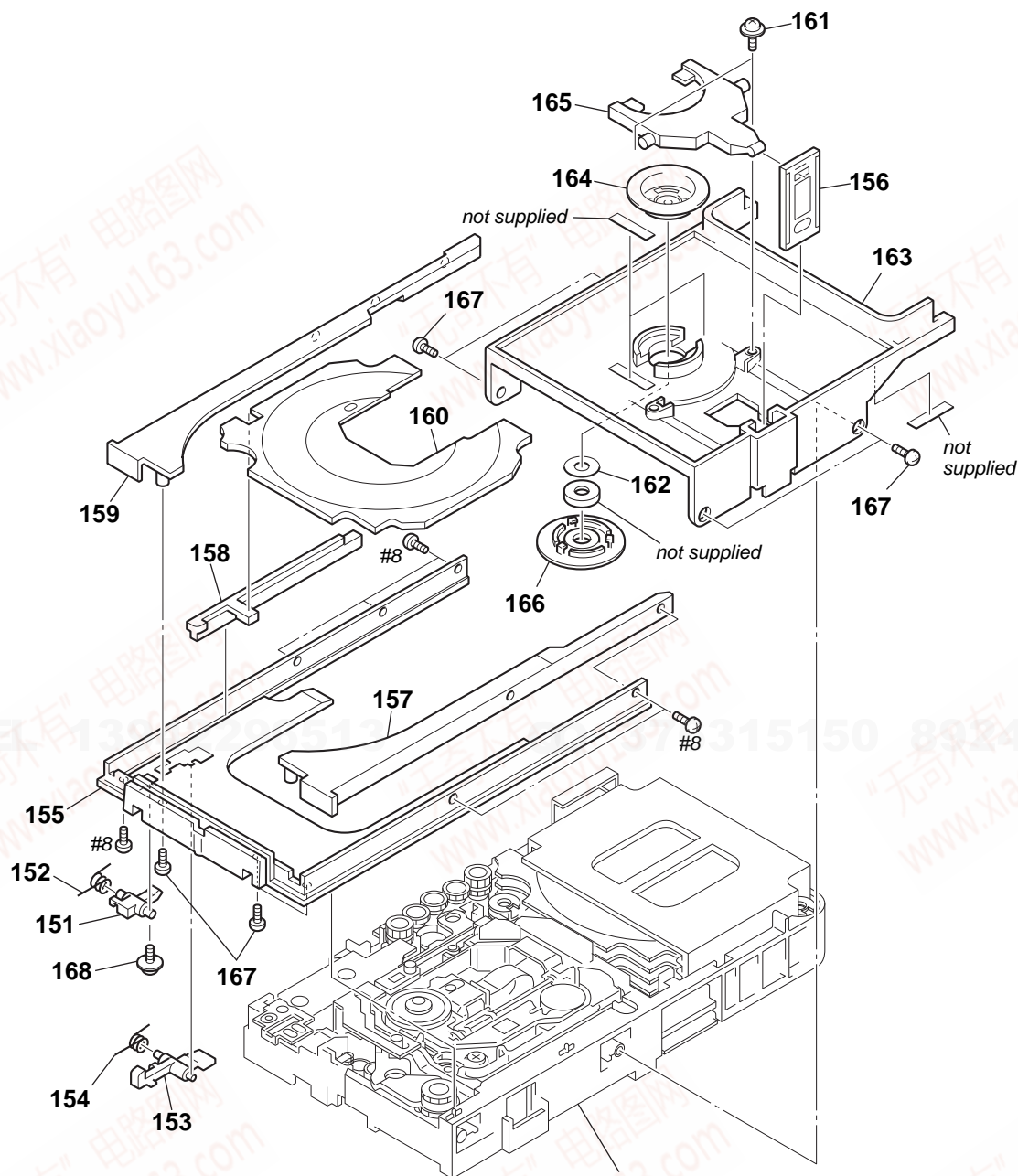
7-3. CHASSIS SECTION



Note: If wire (flat type) is replaced, install it after bending it in the same form as that before replacement.

Ref. No.	Part No.	Description	Remark	Ref. No.	Part No.	Description	Remark
101	1-828-369-11	WIRE (FLAT TYPE) (21 CORE)		104	A-1510-710-A	MAIN BOARD, COMPLETE (for SERVICE)	(HDX279W)
102	3-077-331-21	+BV3 (3-CR)		105	2-597-972-51	SHEET, RADIATION	
103	2-597-972-41	SHEET, RADIATION (HDX275/HDX277WC/ HDX475/HDX675)		106	A-1436-213-A	SERIPARA BOARD, COMPLETE	
103	2-597-972-61	SHEET, RADIATION (HDX279W/HDX576WF)		108	3-077-331-11	+BV3 (3-CR)	
104	A-1436-234-A	MAIN BOARD, COMPLETE (for SERVICE)	(HDX275: US)	109	2-677-839-01	+PWH 3X8 (SUMITITE)	
104	A-1436-242-A	MAIN BOARD, COMPLETE (for SERVICE)	(HDX275: AUS)	110	A-1392-694-A	POWER BOARD, COMPLETE (HDX275: E3, AUS)	
104	A-1436-299-A	MAIN BOARD, COMPLETE (for SERVICE)	(HDX277WC)	110	A-1392-696-A	POWER BOARD, COMPLETE	(HDX275: US/HDX277WC/HDX279W/HDX475/ HDX576WF/HDX675)
104	A-1436-334-A	MAIN BOARD, COMPLETE (for SERVICE)	(HDX475)	111	4-231-099-91	SHEET, RADIATION	
104	A-1436-348-A	MAIN BOARD, COMPLETE (for SERVICE)	(HDX576WF)	112	4-232-478-31	FOOT	
104	A-1436-356-A	MAIN BOARD, COMPLETE (for SERVICE)	(HDX675)	F901	1-533-311-12	FUSE, GLASS CYLINDRICAL (DIA.5) (8A/125V)	(US, CND)
104	A-1509-053-A	MAIN BOARD, COMPLETE (for SERVICE)	(HDX275: E3)	F901	1-576-233-51	FUSE (H.B.C.) (T6.3AH/125V) (E3, AUS)	
				#3	7-685-647-79	SCREW +BVTP 3X10 TYPE2 IT-3	
				#4	7-685-648-79	SCREW +BVTP 3X12 TYPE2 IT-3	

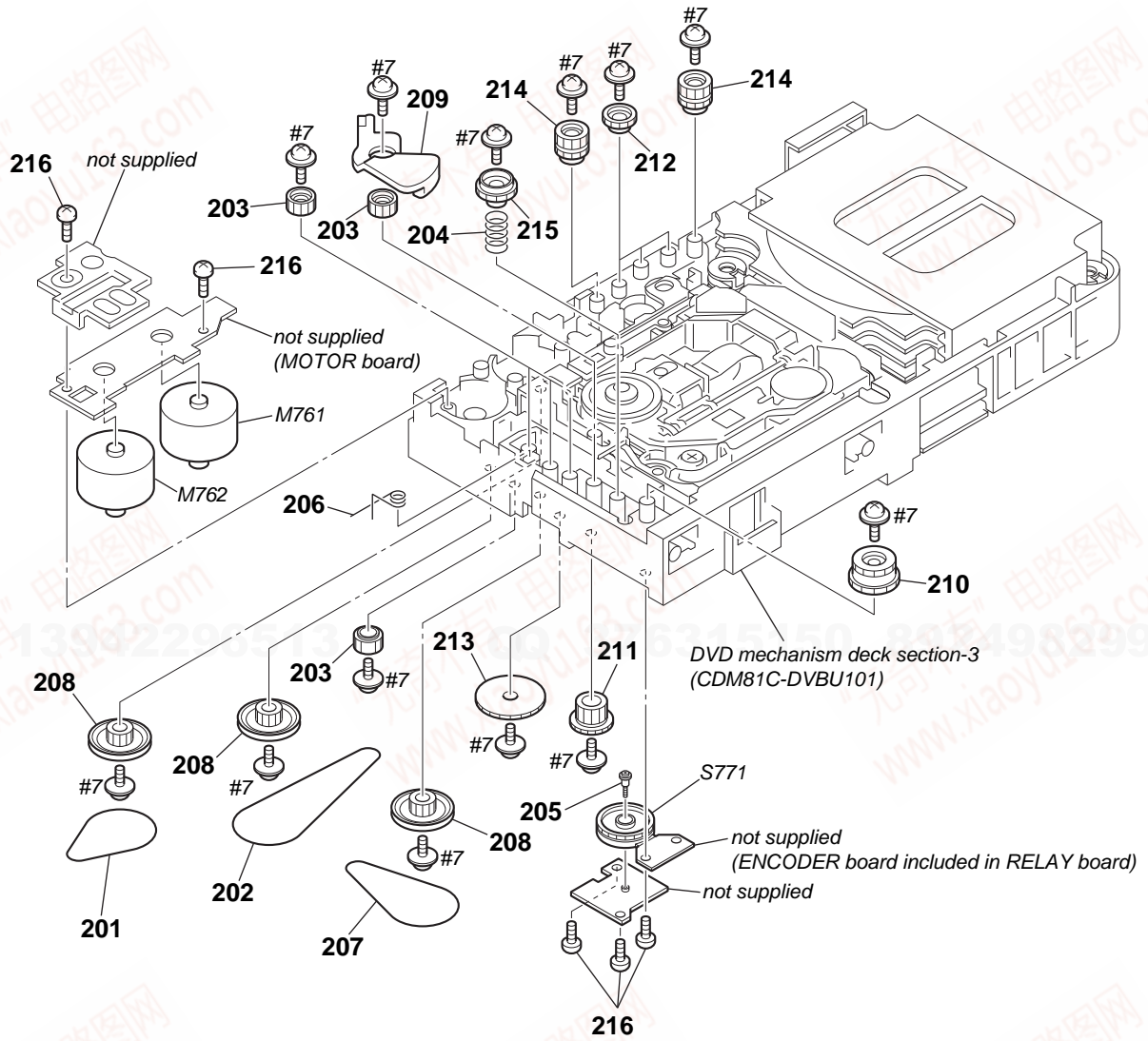
7-4. DVD MECHANISM DECK SECTION-1
(CDM81C-DVBU101)



DVD mechanism deck section-2
(CDM81C-DVBU101)

Ref. No.	Part No.	Description	Remark	Ref. No.	Part No.	Description	Remark
151	4-251-849-01	LEVER (SW2)		161	4-985-672-01	SCREW (+PTPWH M2.6), FLOATING	
152	4-251-991-01	SPRING (SW2), TORSION		162	4-251-923-01	YOKE (310)	
153	4-251-860-01	LEVER (LOCK)		163	4-251-821-03	BRACKET (TOP)	
154	4-251-867-01	SPRING (LOCK), TORSION		164	4-251-922-01	PULLEY B (310), CHUCKING	
155	4-251-828-01	TRAY (MAIN)		165	4-251-824-01	LIFTER	
156	4-251-822-01	JOINT (LIFTER)		166	4-251-837-01	PULLEY A (310), CHUCKING	
157	4-251-857-01	COVER (R)		167	4-218-253-52	SCREW (M2.6), +BTTP	
158	4-251-830-01	SLIDER (ST)		168	4-674-137-11	SCREW (PTP 2X5)	
159	4-251-858-01	COVER (L)		#8	7-685-102-19	SCREW +P 2X4 NON-SLIT TYPE 2	
160	4-251-829-02	TRAY (SUB)					

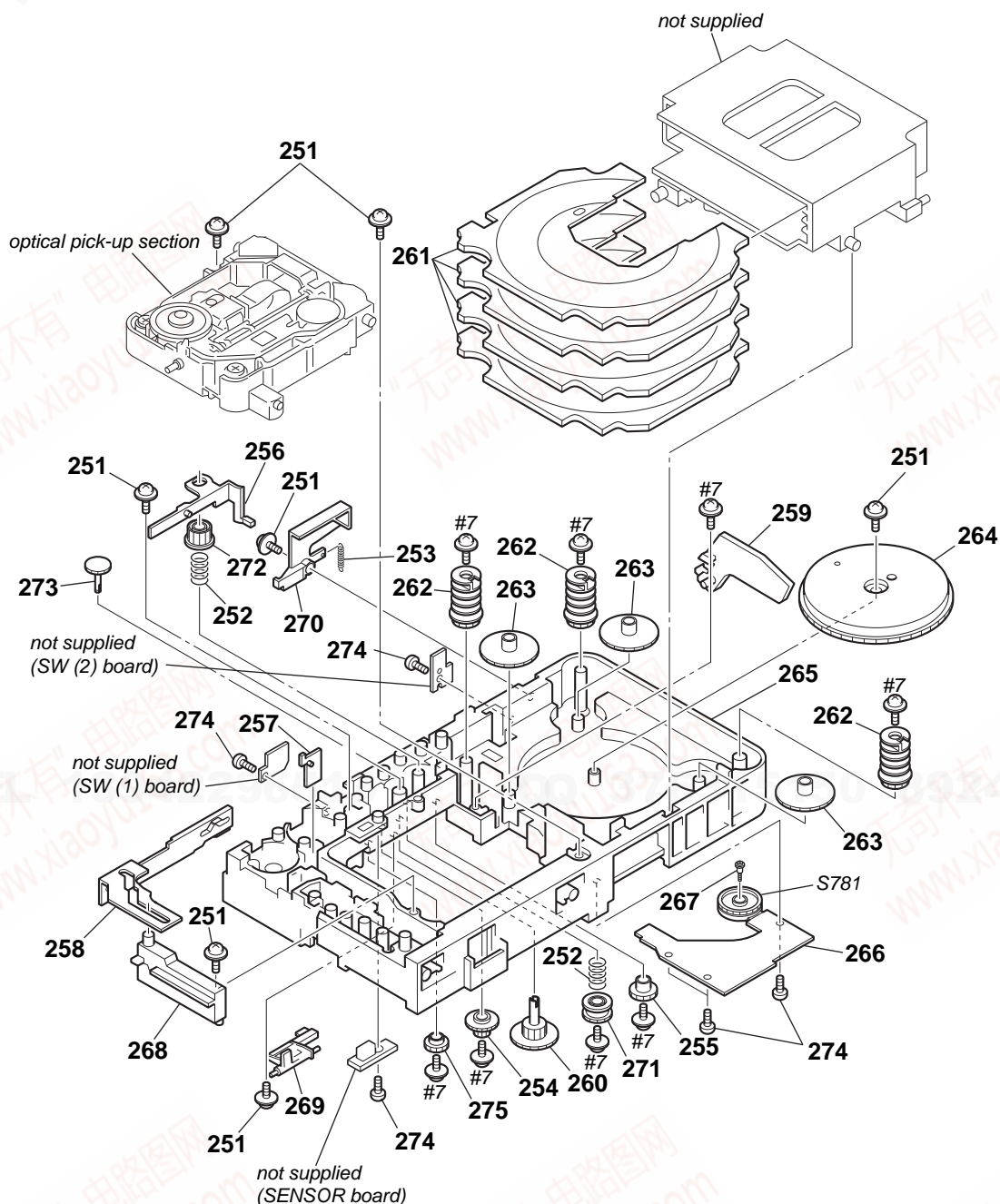
7-5. DVD MECHANISM DECK SECTION-2
(CDM81C-DVBU101)



Ref. No.	Part No.	Description	Remark	Ref. No.	Part No.	Description	Remark
201	4-251-868-01	BELT (SUB TRAY)		211	4-251-856-01	GEAR (BU2)	
202	4-251-869-01	BELT (MAIN TRAY)		212	4-251-841-01	GEAR (SUB TRAY 1)	
203	4-251-850-01	GEAR (MAIN TRAY 1)		213	4-251-854-01	GEAR (BU1)	
204	4-251-873-01	SPRING (MODE), COMPRESSION		214	4-251-842-02	GEAR (SUB TRAY 2)	
205	4-239-618-01	SCREW (+PWH, 2X6), STEP TAPPING		215	4-251-851-01	GEAR (MAIN TRAY 2)	
206	4-251-872-01	SPRING (LEVER), TORSION		216	4-218-253-52	SCREW (M2.6), +BTTP	
207	4-251-870-01	BELT (BU)		M761	A-4713-174-A	MOTOR (81) ASSY (LOADING/STOCKER)	
208	4-251-853-01	PULLEY (BU)		M762	A-4713-174-A	MOTOR (81) ASSY (BU UP/DOWN)	
209	4-251-834-01	LEVER (MAIN TRAY)		S771	1-478-552-11	ENCODER, ROTARY (MD)	
210	4-251-852-01	GEAR (MAIN TRAY 3)		#7	7-685-902-21	TAPPING +PWH 2.6X8 TYPE2 N-S	

HCD-HDX275/HDX277WC/HDX279W/HDX475/HDX576WF/HDX675

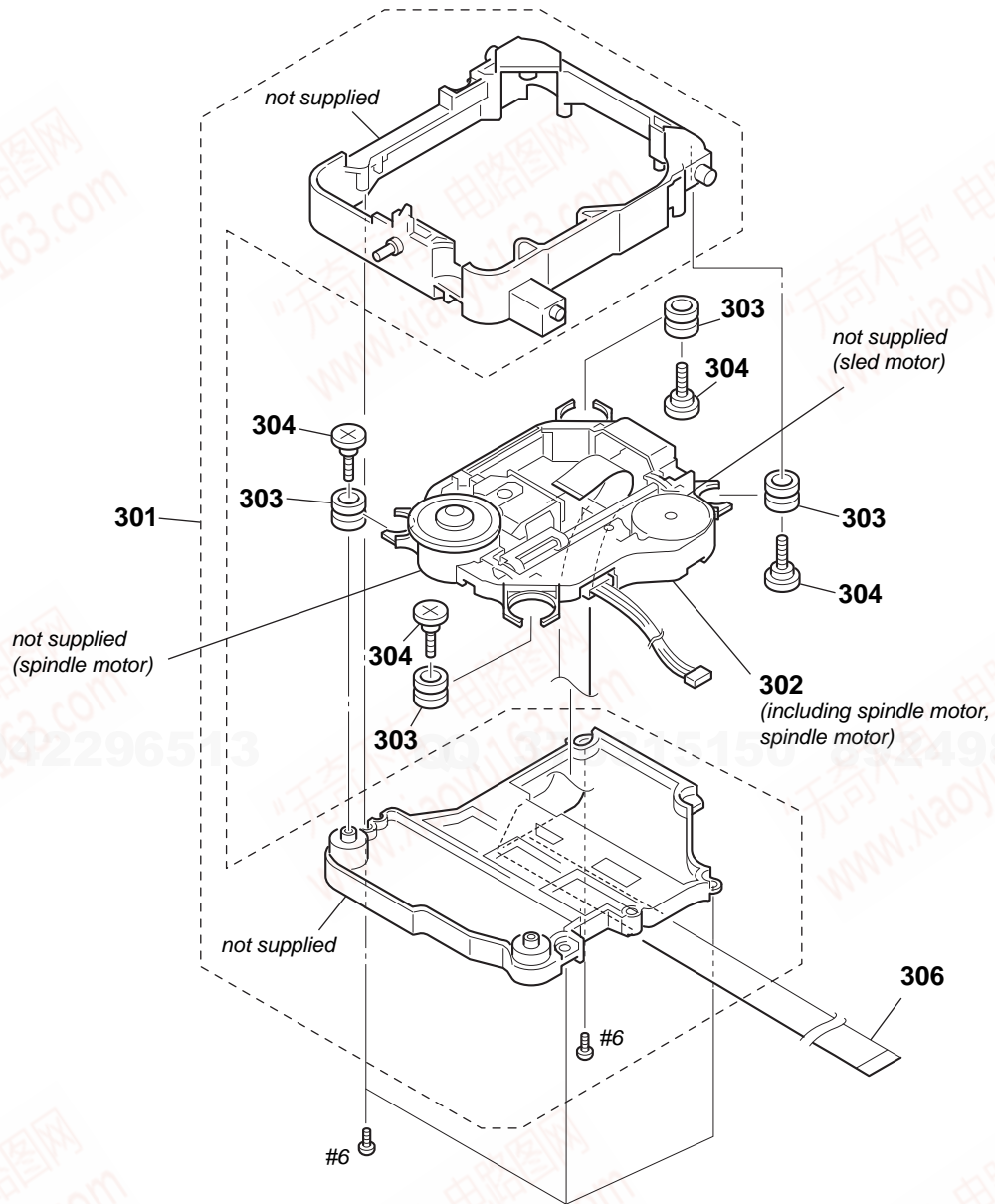
7-6. DVD MECHANISM DECK SECTION-3 (CDM81C-DVBU101)



Ref. No.	Part No.	Description	Remark
251	4-985-672-01	SCREW (+PTPWH M2.6), FLOATING	
252	4-251-873-01	SPRING (MODE), COMPRESSION	
253	4-251-874-02	SPRING (SW), TENSION	
254	4-251-844-01	GEAR (SS2)	
255	4-251-835-01	GEAR (STOCKER 1)	
256	4-251-833-01	LEVER (SUB TRAY)	
257	4-251-843-01	LEVER (RELEASE)	
258	4-251-831-02	LEVER (MODE)	
259	4-251-862-01	SHUTTER (TRAY)	
260	4-251-845-01	GEAR (SS3)	
261	4-251-829-02	TRAY (SUB)	
262	4-251-827-01	CAM (STOCKER)	
263	4-251-836-01	GEAR (STOCKER 2)	
264	4-251-838-01	GEAR (STOCKER 3)	
265	4-251-823-01	CHASSIS (CDM81)	

Ref. No.	Part No.	Description	Remark
266	A-4750-232-A	RELAY BOARD, COMPLETE (including ENCODER board)	
267	4-239-618-01	SCREW (+PWH, 2X6), STEP TAPPING	
268	4-251-825-01	CAM (BU)	
269	4-251-832-01	LEVER (STOCKER)	
270	4-251-861-01	LEVER (SW)	
271	4-251-839-01	GEAR (STOCKER 4)	
272	4-251-840-01	GEAR (SUB TRAY)	
273	4-251-847-01	GEAR (SS4)	
274	4-218-253-52	SCREW (M2.6), +BTTP	
275	4-251-841-01	GEAR (SUB TRAY 1)	
S781	1-478-551-11	ENCODER, ROTARY (STOCKER UP/DOWN)	
#7	7-685-902-21	TAPPING +PWH 2.6X8 TYPE2 N-S	

7-7. OPTICAL PICK-UP SECTION



Note 1: If wire (flat type) is replaced, install it after bending it in the same form as that before replacement.

Note 2: Refer to the Servicing Notes "HOW TO IDENTIFY OPTICAL PICK-UP BLOCK" (page 7), if replacing the Ref. No. 302.

Ref. No.	Part No.	Description	Remark	Ref. No.	Part No.	Description	Remark
301	X-4956-097-1	HOLDER (310) ASSY		304	3-087-599-01	INSULATOR SCREW	
△ 302	8-820-291-02	OPTICAL PICK-UP BLOCK (KHM-310CAB/C2RP) (including sled motor, spindle motor)		305	4-218-253-52	SCREW (M2.6), +BTTP	
△ 302	8-820-322-04	OPTICAL PICK-UP BLOCK (KHM-313CAB/C2RP) (including sled motor, spindle motor)		306	1-828-774-51	WIRE (FLAT TYPE) (24 CORE)	
303	2-634-618-01	INSULATOR		#6	7-685-534-19	SCREW +BTP 2.6X8 TYPE2 N-S	

HCD-HDX275/HDX277WC/HDX279W/HDX475/HDX576WF/HDX675

SECTION 8

ELECTRICAL PARTS LIST

ENCODER FL I/O

Note:

- Due to standardization, replacements in the parts list may be different from the parts specified in the diagrams or the components used on the set.
- -XX and -X mean standardized parts, so they may have some difference from the original one.
- Items marked "*" are not stocked since they are seldom required for routine service. Some delay should be anticipated when ordering these items.
- CAPACITORS
uF: μF
- COILS
uH: μH

- RESISTORS
All resistors are in ohms.
METAL: Metal-film resistor.
METAL OXIDE: Metal oxide-film resistor.
F: nonflammable
- SEMICONDUCTORS
In each case, u: μ, for example:
uA. . . : μA. . . , uPA. . . , μPA. . . ,
uPB. . . : μPB. . . , uPC. . . , μPC. . . ,
uPD. . . : μPD. . .
- Abbreviation
CND : Canadian model
AUS : Australian model
E3 : 240V AC area in E model

When indicating parts by reference number, please include the board name.

The components identified by mark △ or dotted line with mark △ are critical for safety.
Replace only with part number specified.

Les composants identifiés par une marque △ sont critiques pour la sécurité.
Ne les remplacer que par une pièce portant le numéro spécifié.

The components identified by mark ⊠ contain confidential information.
Strictly follow the instructions whenever the components are repaired and/or replaced.

Les composants identifiés par la marque ⊠ contiennent des informations confidentielles.
Suivre scrupuleusement les instructions chaque fois qu'un composant est remplacé et / ou réparé.

Ref. No.	Part No.	Description	Remark
		ENCODER BOARD (Included in RELAY board)	

	A-1436-203-A	FL BOARD, COMPLETE	*****
	3-273-731-01	HOLDER (FL)	
		< CAPACITOR >	
C101	1-124-584-00	ELECT 100uF	20% 6.3V
C102	1-162-968-11	CERAMIC CHIP 0.0047uF	10% 50V
C103	1-163-037-11	CERAMIC CHIP 0.022uF	10% 50V
C104	1-162-974-11	CERAMIC CHIP 0.01uF	50V
C105	1-119-772-91	ELECT 47uF	20% 35V
C106	1-107-826-11	CERAMIC CHIP 0.1uF	10% 16V
C107	1-126-157-11	ELECT 10uF	20% 16V
C108	1-107-826-11	CERAMIC CHIP 0.1uF	10% 16V
C116	1-126-157-11	ELECT 10uF	20% 16V
C117	1-162-970-11	CERAMIC CHIP 0.01uF	10% 25V
C194	1-165-989-11	CERAMIC CHIP 10uF	10% 6.3V
C195	1-107-826-11	CERAMIC CHIP 0.1uF	10% 16V
		< CONNECTOR >	
CN100	1-779-546-11	CONNECTOR, FFC (LIF (NON-ZIF)) 9P	
		< DIODE >	
D100	6-501-579-01	DIODE MC2837	
D101	6-501-579-01	DIODE MC2837	
D102	6-501-729-01	DIODE MAZ8051GLLS0	
D103	6-501-817-01	DIODE MA2J1110GLS0	
		< IC >	
IC100	6-701-729-01	IC PT6315	
IC101	6-600-349-21	IC NJL23H400A	
		< COIL >	
L100	1-410-671-31	INDUCTOR 47uH	
L101	1-410-671-31	INDUCTOR 47uH	
L102	1-410-671-31	INDUCTOR 47uH	

Ref. No.	Part No.	Description	Remark
		< FLUORESCENT INDICATOR TUBE >	
ND100	1-519-988-11	INDICATOR TUBE, FLUORESCENT	
		< TRANSISTOR >	
Q100	6-550-065-01	TRANSISTOR CPH5504-TL-E	
		< RESISTOR >	
R100	1-216-828-11	METAL CHIP 3.9K	5% 1/10W
R101	1-216-839-11	METAL CHIP 33K	5% 1/10W
R102	1-216-805-11	METAL CHIP 47	5% 1/10W
R103	1-216-805-11	METAL CHIP 47	5% 1/10W
R104	1-216-809-11	METAL CHIP 100	5% 1/10W
R105	1-216-809-11	METAL CHIP 100	5% 1/10W
R106	1-216-809-11	METAL CHIP 100	5% 1/10W
R107	1-216-844-11	METAL CHIP 82K	5% 1/10W
R108	1-216-805-11	METAL CHIP 47	5% 1/10W
		< TRANSFORMER >	
T100	1-443-645-11	TRANSFORMER, DC CONVERTER	

	A-1436-211-A	I/O BOARD, COMPLETE (HDX275/HDX475/HDX675)	
	A-1436-346-A	I/O BOARD, COMPLETE (HDX576WF)	
	A-1539-127-A	I/O BOARD, COMPLETE (HDX277WC/HDX279W)	*****
		< CAPACITOR >	
C414	1-126-933-11	ELECT 100uF	20% 16V
C415	1-107-826-11	CERAMIC CHIP 0.1uF	10% 16V
C420	1-107-826-11	CERAMIC CHIP 0.1uF	10% 16V
C424	1-126-933-11	ELECT 100uF	20% 16V
C454	1-165-908-11	CERAMIC CHIP 1uF	10% 10V
C456	1-126-933-11	ELECT 100uF	20% 16V
C457	1-165-908-11	CERAMIC CHIP 1uF	10% 10V
C458	1-126-933-11	ELECT 100uF	20% 16V
C460	1-165-908-11	CERAMIC CHIP 1uF	10% 10V
C462	1-126-916-11	ELECT 1000uF	20% 6.3V
C468	1-162-964-11	CERAMIC CHIP 0.001uF	10% 50V

Ref. No.	Part No.	Description	Remark	Ref. No.	Part No.	Description	Remark
C470	1-126-964-11	ELECT	10uF 20% 50V	CN415	1-784-366-51	CONNECTOR, FFC/FPC 7P	
C471	1-162-927-11	CERAMIC CHIP	100PF 5% 50V			< DIODE >	
C472	1-162-927-11	CERAMIC CHIP	100PF 5% 50V				
C475	1-126-964-11	ELECT	10uF 20% 50V				
C476	1-162-927-11	CERAMIC CHIP	100PF 5% 50V	D405	6-501-579-01	DIODE MC2837 (HDX576WF)	
C478	1-126-916-11	ELECT	1000uF 20% 6.3V	D406	6-501-579-01	DIODE MC2837	
C482	1-162-966-11	CERAMIC CHIP	0.0022uF 10% 50V	D407	8-719-058-24	DIODE RB501V-40TE-17	
C485	1-165-908-11	CERAMIC CHIP	1uF 10% 10V	D411	6-501-579-01	DIODE MC2837	
C488	1-162-964-11	CERAMIC CHIP	0.001uF 10% 50V	D412	6-501-728-01	DIODE MAZ8051G0LS0	
						< IC >	
C489	1-162-966-11	CERAMIC CHIP	0.0022uF 10% 50V (HDX576WF)	IC404	6-710-470-01	IC MM1758AFBE	
C491	1-162-960-11	CERAMIC CHIP	220PF 10% 50V	IC407	8-759-385-76	IC MC14052 BDR2	
C495	1-104-662-91	ELECT	22uF 20% 25V	IC409	8-759-385-76	IC MC14052 BDR2 (HDX576WF)	
C496	1-162-960-11	CERAMIC CHIP	220PF 10% 50V	IC410	8-759-100-96	IC uPC4558G2	
C499	1-104-662-91	ELECT	22uF 20% 25V	IC411	8-759-385-76	IC MC14052 BDR2	
C503	1-126-933-11	ELECT	100uF 20% 16V	IC413	6-700-830-01	IC KIA7809API (HDX277WC/HDX279W/HDX675)	
C504	1-107-826-11	CERAMIC CHIP	0.1uF 10% 16V	IC413	6-703-550-01	IC TA7809LS (HDX275/HDX475/HDX576WF)	
C505	1-162-960-11	CERAMIC CHIP	220PF 10% 50V (HDX576WF)	IC620	6-705-337-01	IC TK11150CMCL-G (HDX275/HDX475/HDX576WF/HDX675)	
C509	1-104-662-91	ELECT	22uF 20% 25V (HDX576WF)	IC620	6-705-338-01	IC TK11250CMCL-G (HDX277WC/HDX279W)	
C511	1-162-960-11	CERAMIC CHIP	220PF 10% 50V (HDX576WF)			< JACK >	
C512	1-104-662-91	ELECT	22uF 20% 25V (HDX576WF)	J402	1-820-862-11	JACK, PIN 3P (VIDEO OUT/TV AUDIO IN)	
C518	1-126-160-11	ELECT	1uF 20% 50V	J404	1-817-601-11	JACK, PIN 3P (COMPONENT VIDEO OUT)	
C521	1-162-960-11	CERAMIC CHIP	220PF 10% 50V	J405	1-778-940-11	JACK 2P (HDX576WF) (SAT/CABLE AUDIO IN)	
C524	1-104-662-91	ELECT	22uF 20% 25V			< JUMPER RESISTOR/COIL >	
C525	1-162-960-11	CERAMIC CHIP	220PF 10% 50V	L404	1-216-295-91	SHORT CHIP 0 (HDX275/HDX475/HDX576WF/HDX675)	
C526	1-107-826-11	CERAMIC CHIP	0.1uF 10% 16V	L404	1-469-525-91	INDUCTOR 10uH (HDX277WC/HDX279W)	
C527	1-126-933-11	ELECT	100uF 20% 16V	L407	1-469-525-91	INDUCTOR 10uH	
C528	1-126-933-11	ELECT	100uF 20% 16V (HDX576WF)			< TRANSISTOR >	
C529	1-107-826-11	CERAMIC CHIP	0.1uF 10% 16V (HDX576WF)	Q408	8-729-027-52	TRANSISTOR DTC124EKA-T146	
C530	1-104-662-91	ELECT	22uF 20% 25V	Q409	8-729-027-52	TRANSISTOR DTC124EKA-T146	
C533	1-126-160-11	ELECT	1uF 20% 50V	Q410	8-729-027-52	TRANSISTOR DTC124EKA-T146 (HDX576WF)	
C535	1-162-960-11	CERAMIC CHIP	220PF 10% 50V	Q411	8-729-027-52	TRANSISTOR DTC124EKA-T146 (HDX576WF)	
C536	1-104-662-91	ELECT	22uF 20% 25V	Q412	8-729-027-52	TRANSISTOR DTC124EKA-T146	
C537	1-162-960-11	CERAMIC CHIP	220PF 10% 50V	Q413	8-729-027-52	TRANSISTOR DTC124EKA-T146	
C538	1-104-662-91	ELECT	22uF 20% 25V			< RESISTOR >	
C541	1-126-933-11	ELECT	100uF 20% 16V	R439	1-218-285-11	METAL CHIP 75 5% 1/10W	
C542	1-107-826-11	CERAMIC CHIP	0.1uF 10% 16V	R444	1-218-827-11	METAL CHIP 150 0.5% 1/10W	
C548	1-127-573-11	CERAMIC CHIP	1uF 10% 16V	R445	1-218-827-11	METAL CHIP 150 0.5% 1/10W	
C549	1-126-947-11	ELECT	47uF 20% 35V	R446	1-218-827-11	METAL CHIP 150 0.5% 1/10W	
C552	1-107-826-11	CERAMIC CHIP	0.1uF 10% 16V	R447	1-218-827-11	METAL CHIP 150 0.5% 1/10W	
C556	1-107-826-11	CERAMIC CHIP	0.1uF 10% 16V	R448	1-218-827-11	METAL CHIP 150 0.5% 1/10W	
C557	1-126-933-11	ELECT	100uF 20% 16V	R449	1-218-285-11	METAL CHIP 75 5% 1/10W	
C558	1-104-662-91	ELECT	22uF 20% 25V	R452	1-218-285-11	METAL CHIP 75 5% 1/10W	
C559	1-104-662-91	ELECT	22uF 20% 25V	R461	1-218-285-11	METAL CHIP 75 5% 1/10W	
C569	1-126-964-11	ELECT	10uF 20% 50V	R468	1-218-285-11	METAL CHIP 75 5% 1/10W	
C620	1-107-826-11	CERAMIC CHIP	0.1uF 10% 16V	R479	1-216-829-11	METAL CHIP 4.7K 5% 1/10W	
C621	1-165-908-11	CERAMIC CHIP	1uF 10% 10V	R480	1-216-841-11	METAL CHIP 47K 5% 1/10W	
C622	1-165-908-11	CERAMIC CHIP	1uF 10% 10V	R481	1-216-841-11	METAL CHIP 47K 5% 1/10W	
		< CONNECTOR >		R485	1-216-829-11	METAL CHIP 4.7K 5% 1/10W	
CN402	1-820-116-41	CONNECTOR, FFC/FPC 17P		R486	1-216-829-11	METAL CHIP 4.7K 5% 1/10W	
CN407	1-779-277-11	CONNECTOR, FFC (LIF (NON-ZIF)) 9P		R489	1-216-829-11	METAL CHIP 4.7K 5% 1/10W	
CN410	1-779-273-11	CONNECTOR, FFC (LIF (NON-ZIF)) 5P		R490	1-216-841-11	METAL CHIP 47K 5% 1/10W	
CN412	1-564-706-11	PIN, CONNECTOR (SMALL TYPE) 4P		R491	1-216-841-11	METAL CHIP 47K 5% 1/10W	
CN414	1-784-770-11	CONNECTOR, FFC 9P					

HCD-HDX275/HDX277WC/HDX279W/HDX475/HDX576WF/HDX675

I/O JACK-KEY

Ref. No.	Part No.	Description	Remark
R494	1-216-829-11	METAL CHIP 4.7K 5%	1/10W (HDX576WF)
R495	1-216-833-11	METAL CHIP 10K 5%	1/10W
R496	1-216-841-11	METAL CHIP 47K 5%	1/10W (HDX576WF)
R497	1-216-841-11	METAL CHIP 47K 5%	1/10W (HDX576WF)
R500	1-216-821-11	METAL CHIP 1K 5%	1/10W
R503	1-216-829-11	METAL CHIP 4.7K 5%	1/10W (HDX576WF)
R504	1-216-829-11	METAL CHIP 4.7K 5%	1/10W (HDX576WF)
R505	1-216-833-11	METAL CHIP 10K 5%	1/10W
R506	1-216-829-11	METAL CHIP 4.7K 5%	1/10W (HDX576WF)
R507	1-216-841-11	METAL CHIP 47K 5%	1/10W (HDX576WF)
R508	1-216-841-11	METAL CHIP 47K 5%	1/10W (HDX576WF)
R509	1-216-821-11	METAL CHIP 1K 5%	1/10W
R513	1-216-864-11	SHORT CHIP 0	
R514	1-216-864-11	SHORT CHIP 0	
R515	1-216-864-11	SHORT CHIP 0	
R516	1-216-864-11	SHORT CHIP 0	
R523	1-216-817-11	METAL CHIP 470 5%	1/10W
R527	1-216-841-11	METAL CHIP 47K 5%	1/10W
R528	1-216-841-11	METAL CHIP 47K 5%	1/10W
R533	1-216-827-11	METAL CHIP 3.3K 5%	1/10W
R536	1-216-833-11	METAL CHIP 10K 5%	1/10W (HDX576WF)
R538	1-216-827-11	METAL CHIP 3.3K 5%	1/10W
R539	1-216-841-11	METAL CHIP 47K 5%	1/10W
R540	1-216-841-11	METAL CHIP 47K 5%	1/10W
R543	1-216-821-11	METAL CHIP 1K 5%	1/10W (HDX576WF)
R548	1-216-817-11	METAL CHIP 470 5%	1/10W
R549	1-216-864-11	SHORT CHIP 0	
R550	1-216-833-11	METAL CHIP 10K 5%	1/10W (HDX576WF)
R551	1-216-829-11	METAL CHIP 4.7K 5%	1/10W
R552	1-216-841-11	METAL CHIP 47K 5%	1/10W
R553	1-216-841-11	METAL CHIP 47K 5%	1/10W
R554	1-216-864-11	SHORT CHIP 0	
R555	1-216-809-11	METAL CHIP 100 5%	1/10W
R556	1-216-821-11	METAL CHIP 1K 5%	1/10W (HDX576WF)
R557	1-216-809-11	METAL CHIP 100 5%	1/10W
R558	1-216-809-11	METAL CHIP 100 5%	1/10W
R559	1-216-829-11	METAL CHIP 4.7K 5%	1/10W
R561	1-216-829-11	METAL CHIP 4.7K 5%	1/10W
R562	1-216-864-11	SHORT CHIP 0 (EXCEPT HDX576WF)	
R563	1-216-864-11	SHORT CHIP 0 (HDX576WF)	
R564	1-216-829-11	METAL CHIP 4.7K 5%	1/10W
R566	1-216-841-11	METAL CHIP 47K 5%	1/10W
R567	1-216-841-11	METAL CHIP 47K 5%	1/10W
R575	1-216-833-11	METAL CHIP 10K 5%	1/10W
R576	1-216-864-11	SHORT CHIP 0 (EXCEPT HDX576WF)	
R577	1-216-864-11	SHORT CHIP 0 (HDX576WF)	
R579	1-216-821-11	METAL CHIP 1K 5%	1/10W
R582	1-216-833-11	METAL CHIP 10K 5%	1/10W
R584	1-216-821-11	METAL CHIP 1K 5%	1/10W
R585	1-216-864-11	SHORT CHIP 0	

Ref. No.	Part No.	Description	Remark
R598	1-216-841-11	METAL CHIP 47K 5%	1/10W
R599	1-216-841-11	METAL CHIP 47K 5%	1/10W
R600	1-216-845-11	METAL CHIP 100K 5%	1/10W
R601	1-216-845-11	METAL CHIP 100K 5%	1/10W
R602	1-216-845-11	METAL CHIP 100K 5%	1/10W
R603	1-216-845-11	METAL CHIP 100K 5%	1/10W
R609	1-216-864-11	SHORT CHIP 0	
R610	1-216-864-11	SHORT CHIP 0	
R620	1-216-821-11	METAL CHIP 1K 5%	1/10W
△ R621	1-215-865-51	METAL OXIDE 220 5%	1W F

	A-1436-204-A	JACK-KEY BOARD, COMPLETE	

< CAPACITOR >			
C121	1-165-908-11	CERAMIC CHIP 1uF 10%	10V
C125	1-165-908-11	CERAMIC CHIP 1uF 10%	10V
C126	1-107-826-11	CERAMIC CHIP 0.1uF 10%	16V
C129	1-115-156-11	CERAMIC CHIP 1uF 10%	10V
C131	1-125-891-11	CERAMIC CHIP 0.47uF 10%	10V
C137	1-104-658-91	ELECT 100uF 20%	10V
C138	1-162-960-11	CERAMIC CHIP 220PF 10%	50V
C139	1-164-315-11	CERAMIC CHIP 470PF 5%	50V
C140	1-124-589-11	ELECT 47uF 20%	16V
C141	1-107-826-11	CERAMIC CHIP 0.1uF 10%	16V
C142	1-104-658-91	ELECT 100uF 20%	10V
C143	1-126-964-11	ELECT 10uF 20%	50V
C144	1-107-826-11	CERAMIC CHIP 0.1uF 10%	16V
C147	1-162-964-11	CERAMIC CHIP 0.001uF 10%	50V
C148	1-162-964-11	CERAMIC CHIP 0.001uF 10%	50V
C149	1-126-964-11	ELECT 10uF 20%	50V
C150	1-162-964-11	CERAMIC CHIP 0.001uF 10%	50V
C152	1-162-960-11	CERAMIC CHIP 220PF 10%	50V
C153	1-164-315-11	CERAMIC CHIP 470PF 5%	50V
C154	1-162-925-11	CERAMIC CHIP 68PF 5%	50V
C155	1-110-563-11	CERAMIC CHIP 0.068uF 10%	16V
C156	1-164-315-11	CERAMIC CHIP 470PF 5%	50V
C157	1-162-964-11	CERAMIC CHIP 0.001uF 10%	50V
C158	1-125-891-11	CERAMIC CHIP 0.47uF 10%	10V
C163	1-107-826-11	CERAMIC CHIP 0.1uF 10%	16V
C170	1-162-970-11	CERAMIC CHIP 0.01uF 10%	25V
C171	1-162-970-11	CERAMIC CHIP 0.01uF 10%	25V
C173	1-162-970-11	CERAMIC CHIP 0.01uF 10%	25V
C174	1-162-970-11	CERAMIC CHIP 0.01uF 10%	25V
C196	1-107-826-11	CERAMIC CHIP 0.1uF 10%	16V
C197	1-126-947-11	ELECT 47uF 20%	35V
< CONNECTOR >			
CN102	1-779-277-11	CONNECTOR, FFC (LIF (NON-ZIF)) 9P	
CN103	1-779-289-11	CONNECTOR, FFC (LIF (NON-ZIF)) 21P	
< DIODE >			
D104	8-719-056-13	LED SML79423C-TP15 (DISC 5)	
D105	8-719-056-13	LED SML79423C-TP15 (DISC 4)	
D106	8-719-056-13	LED SML79423C-TP15 (DISC 3)	
D107	8-719-056-13	LED SML79423C-TP15 (DISC 2)	
D108	8-719-056-13	LED SML79423C-TP15 (DISC 1)	
D109	6-501-579-01	DIODE MC2837	
D112	6-501-817-01	DIODE MA2J1110GLSO	

Ref. No.	Part No.	Description	Remark	Ref. No.	Part No.	Description	Remark
D113	6-501-579-01	DIODE MC2837				< RESISTOR >	
D114	6-501-579-01	DIODE MC2837					
		< FERRITE BEAD/JUMPER RESISTOR >					
FB102	1-500-236-22	BEAD, FERRITE (CHIP) (1608)		R109	1-216-815-11	METAL CHIP 330 5%	1/10W
FB103	1-500-236-22	BEAD, FERRITE (CHIP) (1608)		R110	1-216-817-11	METAL CHIP 470 5%	1/10W
FB104	1-500-236-22	BEAD, FERRITE (CHIP) (1608)		R111	1-216-815-11	METAL CHIP 330 5%	1/10W
FB105	1-500-236-22	BEAD, FERRITE (CHIP) (1608)		R112	1-216-817-11	METAL CHIP 470 5%	1/10W
FB106	1-500-236-22	BEAD, FERRITE (CHIP) (1608)		R113	1-216-815-11	METAL CHIP 330 5%	1/10W
FB107	1-216-864-11	SHORT CHIP 0		R114	1-216-817-11	METAL CHIP 470 5%	1/10W
FB108	1-216-864-11	SHORT CHIP 0		R115	1-216-815-11	METAL CHIP 330 5%	1/10W
FB109	1-216-864-11	SHORT CHIP 0		R116	1-216-817-11	METAL CHIP 470 5%	1/10W
FB110	1-216-864-11	SHORT CHIP 0		R117	1-216-815-11	METAL CHIP 330 5%	1/10W
		< IC >		R118	1-216-817-11	METAL CHIP 470 5%	1/10W
IC102	6-705-312-01	IC S-T111B33MC-OGSTFG		R119	1-216-827-11	METAL CHIP 3.3K 5%	1/10W
IC103	6-704-046-01	IC BU2099FV		R120	1-216-833-11	METAL CHIP 10K 5%	1/10W
IC104	8-759-100-96	IC uPC4558G2		R121	1-216-821-11	METAL CHIP 1K 5%	1/10W
IC105	8-759-100-96	IC uPC4558G2		R122	1-216-821-11	METAL CHIP 1K 5%	1/10W
		< JACK >		R123	1-216-821-11	METAL CHIP 1K 5%	1/10W
J100	1-819-878-51	JACK (AUDIO IN/A.CAL MIC)		R124	1-216-809-11	METAL CHIP 100 5%	1/10W
J101	1-819-878-51	JACK (PHONES)		R125	1-216-809-11	METAL CHIP 100 5%	1/10W
		< JUMPER RESISTOR >		R126	1-216-815-11	METAL CHIP 330 5%	1/10W
JR101	1-216-864-11	SHORT CHIP 0		R127	1-216-815-11	METAL CHIP 330 5%	1/10W
JR102	1-216-864-11	SHORT CHIP 0		R128	1-216-841-11	METAL CHIP 47K 5%	1/10W
JR103	1-216-864-11	SHORT CHIP 0		R129	1-216-837-11	METAL CHIP 22K 5%	1/10W
JR104	1-216-864-11	SHORT CHIP 0		R130	1-216-833-11	METAL CHIP 10K 5%	1/10W
JR105	1-216-864-11	SHORT CHIP 0		R131	1-216-829-11	METAL CHIP 4.7K 5%	1/10W
JR106	1-216-296-11	SHORT CHIP 0		R132	1-216-825-11	METAL CHIP 2.2K 5%	1/10W
JR107	1-216-864-11	SHORT CHIP 0		R133	1-216-827-11	METAL CHIP 3.3K 5%	1/10W
JR108	1-216-296-11	SHORT CHIP 0		R135	1-216-834-11	METAL CHIP 12K 5%	1/10W
JR109	1-216-296-11	SHORT CHIP 0		R136	1-216-835-11	METAL CHIP 15K 5%	1/10W
		< COIL >		R137	1-216-825-11	METAL CHIP 2.2K 5%	1/10W
L103	1-410-671-31	INDUCTOR 47uH		R140	1-216-825-11	METAL CHIP 2.2K 5%	1/10W
		< TRANSISTOR >		R141	1-216-821-11	METAL CHIP 1K 5%	1/10W
Q101	8-729-027-23	TRANSISTOR DTA114EKA-T146		R142	1-216-825-11	METAL CHIP 2.2K 5%	1/10W
Q102	8-729-027-23	TRANSISTOR DTA114EKA-T146		R145	1-216-827-11	METAL CHIP 3.3K 5%	1/10W
Q103	8-729-027-23	TRANSISTOR DTA114EKA-T146		R147	1-216-801-11	METAL CHIP 22 5%	1/10W
Q104	8-729-027-23	TRANSISTOR DTA114EKA-T146		R148	1-216-821-11	METAL CHIP 1K 5%	1/10W
Q105	8-729-027-23	TRANSISTOR DTA114EKA-T146		R149	1-216-821-11	METAL CHIP 1K 5%	1/10W
Q106	8-729-027-23	TRANSISTOR DTA114EKA-T146		R150	1-216-809-11	METAL CHIP 100 5%	1/10W
Q107	8-729-027-23	TRANSISTOR DTA114EKA-T146		R151	1-216-819-11	METAL CHIP 680 5%	1/10W
Q108	8-729-027-23	TRANSISTOR DTA114EKA-T146		R152	1-216-835-11	METAL CHIP 15K 5%	1/10W
Q109	8-729-027-23	TRANSISTOR DTA114EKA-T146		R153	1-216-833-11	METAL CHIP 10K 5%	1/10W
Q110	8-729-027-23	TRANSISTOR DTA114EKA-T146		R154	1-216-825-11	METAL CHIP 2.2K 5%	1/10W
Q111	8-729-038-28	TRANSISTOR RT1N441C-TP-1		R155	1-216-837-11	METAL CHIP 22K 5%	1/10W
Q112	8-729-038-28	TRANSISTOR RT1N441C-TP-1		R156	1-216-845-11	METAL CHIP 100K 5%	1/10W
Q113	8-729-038-11	TRANSISTOR RT1P140C-TP-1		R157	1-216-825-11	METAL CHIP 2.2K 5%	1/10W
Q114	8-729-027-23	TRANSISTOR DTA114EKA-T146		R158	1-216-805-11	METAL CHIP 47 5%	1/10W
Q115	8-729-027-23	TRANSISTOR DTA114EKA-T146		R159	1-218-859-11	METAL CHIP 3.3K 0.5%	1/10W
Q116	6-551-953-01	TR RTAN430C-T112A-1		R161	1-216-817-11	METAL CHIP 470 5%	1/10W
Q117	6-551-953-01	TR RTAN430C-T112A-1		R162	1-216-829-11	METAL CHIP 4.7K 5%	1/10W
Q118	6-551-953-01	TR RTAN430C-T112A-1		R163	1-216-845-11	METAL CHIP 100K 5%	1/10W
Q119	6-551-953-01	TR RTAN430C-T112A-1		R164	1-216-817-11	METAL CHIP 470 5%	1/10W
				R165	1-216-845-11	METAL CHIP 100K 5%	1/10W
				R166	1-216-837-11	METAL CHIP 22K 5%	1/10W
				R167	1-216-821-11	METAL CHIP 1K 5%	1/10W
				R168	1-216-821-11	METAL CHIP 1K 5%	1/10W
				R169	1-216-825-11	METAL CHIP 2.2K 5%	1/10W
				R170	1-216-864-11	SHORT CHIP 0	
				R171	1-216-857-11	METAL CHIP 1M 5%	1/10W
				R172	1-216-837-11	METAL CHIP 22K 5%	1/10W
				R173	1-216-864-11	SHORT CHIP 0	
				R180	1-216-864-11	SHORT CHIP 0	

HCD-HDX275/HDX277WC/HDX279W/HDX475/HDX576WF/HDX675

JACK-KEY MAIN

Ref. No.	Part No.	Description	Remark	Ref. No.	Part No.	Description	Remark
R183	1-216-829-11	METAL CHIP 4.7K 5%	1/10W	C239	1-126-947-11	ELECT 47uF 20%	35V
R184	1-216-829-11	METAL CHIP 4.7K 5%	1/10W	C240	1-107-826-11	CERAMIC CHIP 0.1uF 10%	16V
R185	1-216-801-11	METAL CHIP 22 5%	1/10W	C241	1-107-826-11	CERAMIC CHIP 0.1uF 10%	16V
R186	1-216-801-11	METAL CHIP 22 5%	1/10W	C312	1-107-826-11	CERAMIC CHIP 0.1uF 10%	16V
R187	1-216-809-11	METAL CHIP 100 5%	1/10W	C313	1-126-933-11	ELECT 100uF 20%	16V
R188	1-216-809-11	METAL CHIP 100 5%	1/10W	C314	1-107-826-11	CERAMIC CHIP 0.1uF 10%	16V
R189	1-216-809-11	METAL CHIP 100 5%	1/10W	C315	1-126-933-11	ELECT 100uF 20%	16V
R190	1-216-809-11	METAL CHIP 100 5%	1/10W	C317	1-107-826-11	CERAMIC CHIP 0.1uF 10%	16V
R191	1-216-805-11	METAL CHIP 47 5%	1/10W	C501	1-107-826-11	CERAMIC CHIP 0.1uF 10%	16V
R192	1-216-805-11	METAL CHIP 47 5%	1/10W	C502	1-107-826-11	CERAMIC CHIP 0.1uF 10%	16V
R201	1-216-821-11	METAL CHIP 1K 5%	1/10W	C503	1-107-826-11	CERAMIC CHIP 0.1uF 10%	16V
R202	1-216-821-11	METAL CHIP 1K 5%	1/10W	C504	1-162-970-11	CERAMIC CHIP 0.01uF 10%	25V
R203	1-216-821-11	METAL CHIP 1K 5%	1/10W	C505	1-162-970-11	CERAMIC CHIP 0.01uF 10%	25V
		< SWITCH >		C507	1-107-826-11	CERAMIC CHIP 0.1uF 10%	16V
S100	1-762-875-21	SWITCH, KEYBOARD (DISC 1)		C508	1-107-826-11	CERAMIC CHIP 0.1uF 10%	16V
S101	1-762-875-21	SWITCH, KEYBOARD (DISC 2)		C509	1-165-908-11	CERAMIC CHIP 1uF 10%	10V
S102	1-762-875-21	SWITCH, KEYBOARD (DISC 3)		C510	1-107-826-11	CERAMIC CHIP 0.1uF 10%	16V
S103	1-762-875-21	SWITCH, KEYBOARD (DISC 4)		C511	1-107-826-11	CERAMIC CHIP 0.1uF 10%	16V
S104	1-762-875-21	SWITCH, KEYBOARD (DISC 5)		C512	1-107-826-11	CERAMIC CHIP 0.1uF 10%	16V
S105	1-762-875-21	SWITCH, KEYBOARD (⊕)		C515	1-107-826-11	CERAMIC CHIP 0.1uF 10%	16V
S106	1-762-875-21	SWITCH, KEYBOARD (▷)		C516	1-165-908-11	CERAMIC CHIP 1uF 10%	10V
S107	1-762-875-21	SWITCH, KEYBOARD (▷▷)		C517	1-107-826-11	CERAMIC CHIP 0.1uF 10%	16V
S108	1-762-875-21	SWITCH, KEYBOARD (□)		C518	1-107-826-11	CERAMIC CHIP 0.1uF 10%	16V
S109	1-762-875-21	SWITCH, KEYBOARD (⏏)		C520	1-127-715-11	CERAMIC CHIP 0.22uF 10%	16V
S110	1-762-875-21	SWITCH, KEYBOARD (⏏⏏)		C521	1-162-970-11	CERAMIC CHIP 0.01uF 10%	25V
S111	1-762-875-21	SWITCH, KEYBOARD (FUNCTION)		C522	1-127-715-11	CERAMIC CHIP 0.22uF 10%	16V
S112	1-480-136-31	ENCODER, ROTARY (12 TYPE) (VOLUME)		C523	1-107-826-11	CERAMIC CHIP 0.1uF 10%	16V
*****				C526	1-104-658-91	ELECT 100uF 20%	10V
⊞	A-1436-234-A	MAIN BOARD, COMPLETE (for SERVICE) (HDX275: US)		C527	1-126-916-11	ELECT 1000uF 20%	6.3V
⊞	A-1436-242-A	MAIN BOARD, COMPLETE (for SERVICE) (HDX275: AUS)		C528	1-126-916-11	ELECT 1000uF 20%	6.3V
⊞	A-1436-299-A	MAIN BOARD, COMPLETE (for SERVICE) (HDX277WC)		C531	1-107-826-11	CERAMIC CHIP 0.1uF 10%	16V
⊞	A-1436-334-A	MAIN BOARD, COMPLETE (for SERVICE) (HDX475)		C532	1-107-826-11	CERAMIC CHIP 0.1uF 10%	16V
⊞	A-1436-348-A	MAIN BOARD, COMPLETE (for SERVICE) (HDX576WF)		C533	1-107-826-11	CERAMIC CHIP 0.1uF 10%	16V
⊞	A-1436-356-A	MAIN BOARD, COMPLETE (for SERVICE) (HDX675)		C538	1-162-964-11	CERAMIC CHIP 0.001uF 10%	50V
⊞	A-1509-053-A	MAIN BOARD, COMPLETE (for SERVICE) (HDX275: E3)		C539	1-126-933-11	ELECT 100uF 20%	16V
⊞	A-1510-710-A	MAIN BOARD, COMPLETE (for SERVICE) (HDX279W)		C571	1-165-908-11	CERAMIC CHIP 1uF 10%	10V
*****				C572	1-107-826-11	CERAMIC CHIP 0.1uF 10%	16V
	4-231-099-41	SHEET, RADIATION		C573	1-126-965-91	ELECT 22uF 20%	50V
		< CAPACITOR >		C574	1-162-964-11	CERAMIC CHIP 0.001uF 10%	50V
C220	1-128-995-21	ELECT CHIP 100uF 20%	10V	C581	1-162-970-11	CERAMIC CHIP 0.01uF 10%	25V
C221	1-107-826-11	CERAMIC CHIP 0.1uF 10%	16V	C582	1-107-826-11	CERAMIC CHIP 0.1uF 10%	16V
C222	1-107-826-11	CERAMIC CHIP 0.1uF 10%	16V	C583	1-104-658-91	ELECT 100uF 20%	10V
C223	1-126-206-11	ELECT CHIP 100uF 20%	6.3V	C584	1-126-933-11	ELECT 100uF 20%	16V
C227	1-162-964-11	CERAMIC CHIP 0.001uF 10%	50V	C591	1-162-970-11	CERAMIC CHIP 0.01uF 10%	25V
C229	1-165-908-11	CERAMIC CHIP 1uF 10%	10V	C592	1-162-970-11	CERAMIC CHIP 0.01uF 10%	25V
C230	1-165-908-11	CERAMIC CHIP 1uF 10%	10V	C593	1-104-658-91	ELECT 100uF 20%	10V
C231	1-165-908-11	CERAMIC CHIP 1uF 10%	10V	C594	1-126-933-11	ELECT 100uF 20%	16V
C232	1-165-908-11	CERAMIC CHIP 1uF 10%	10V	C705	1-126-964-11	ELECT 10uF 20%	50V
C237	1-107-826-11	CERAMIC CHIP 0.1uF 10%	16V	C706	1-126-964-11	ELECT 10uF 20%	50V
C238	1-126-965-91	ELECT 22uF 20%	50V	C707	1-107-826-11	CERAMIC CHIP 0.1uF 10%	16V
				C708	1-107-826-11	CERAMIC CHIP 0.1uF 10%	16V
				C709	1-126-923-91	ELECT 220uF 20%	10V
				C710	1-107-726-91	CERAMIC CHIP 0.01uF 10%	16V
				C711	1-107-826-11	CERAMIC CHIP 0.1uF 10%	16V
				C712	1-162-970-11	CERAMIC CHIP 0.01uF 10%	25V
				C716	1-162-970-11	CERAMIC CHIP 0.01uF 10%	25V
				C717	1-126-964-11	ELECT 10uF 20%	50V
				C718	1-107-826-11	CERAMIC CHIP 0.1uF 10%	16V
				C719	1-107-826-11	CERAMIC CHIP 0.1uF 10%	16V
				C720	1-126-923-91	ELECT 220uF 20%	10V

Ref. No.	Part No.	Description	Remark	Ref. No.	Part No.	Description	Remark
C721	1-162-970-11	CERAMIC CHIP	0.01uF 10% 25V	C1164	1-162-970-11	CERAMIC CHIP	0.01uF 10% 25V
C722	1-107-826-11	CERAMIC CHIP	0.1uF 10% 16V	C1165	1-107-826-11	CERAMIC CHIP	0.1uF 10% 16V
C723	1-107-826-11	CERAMIC CHIP	0.1uF 10% 16V	C1169	1-107-826-11	CERAMIC CHIP	0.1uF 10% 16V
C724	1-162-915-11	CERAMIC CHIP	10PF 0.5PF 50V	C1170	1-162-965-11	CERAMIC CHIP	0.0015uF 10% 50V
C725	1-162-915-11	CERAMIC CHIP	10PF 0.5PF 50V	C1171	1-107-826-11	CERAMIC CHIP	0.1uF 10% 16V
C727	1-107-826-11	CERAMIC CHIP	0.1uF 10% 16V	C1172	1-107-826-11	CERAMIC CHIP	0.1uF 10% 16V
C772	1-164-315-11	CERAMIC CHIP	470PF 5% 50V	C1174	1-162-970-11	CERAMIC CHIP	0.01uF 10% 25V
C773	1-164-315-11	CERAMIC CHIP	470PF 5% 50V	C1175	1-162-970-11	CERAMIC CHIP	0.01uF 10% 25V
C1101	1-162-970-11	CERAMIC CHIP	0.01uF 10% 25V	C1176	1-162-970-11	CERAMIC CHIP	0.01uF 10% 25V
C1102	1-165-908-11	CERAMIC CHIP	1uF 10% 10V	C1177	1-126-947-11	ELECT	47uF 20% 35V
C1105	1-128-994-21	ELECT CHIP	47uF 20% 10V	C1179	1-107-826-11	CERAMIC CHIP	0.1uF 10% 16V
C1106	1-162-970-11	CERAMIC CHIP	0.01uF 10% 25V	C1180	1-107-826-11	CERAMIC CHIP	0.1uF 10% 16V
C1108	1-107-826-11	CERAMIC CHIP	0.1uF 10% 16V	C1181	1-107-826-11	CERAMIC CHIP	0.1uF 10% 16V
C1109	1-107-826-11	CERAMIC CHIP	0.1uF 10% 16V	C1182	1-127-715-11	CERAMIC CHIP	0.22uF 10% 16V
C1110	1-107-826-11	CERAMIC CHIP	0.1uF 10% 16V	C1183	1-128-934-11	CERAMIC CHIP	0.33uF 20% 10V
C1111	1-126-206-11	ELECT CHIP	100uF 20% 6.3V	C1184	1-107-826-11	CERAMIC CHIP	0.1uF 10% 16V
C1112	1-128-994-21	ELECT CHIP	47uF 20% 10V	C1186	1-127-715-11	CERAMIC CHIP	0.22uF 10% 16V
C1113	1-162-970-11	CERAMIC CHIP	0.01uF 10% 25V	C1187	1-126-947-11	ELECT	47uF 20% 35V
C1114	1-107-826-11	CERAMIC CHIP	0.1uF 10% 16V	C1190	1-104-658-91	ELECT	100uF 20% 10V
C1115	1-107-826-11	CERAMIC CHIP	0.1uF 10% 16V	C1191	1-107-826-11	CERAMIC CHIP	0.1uF 10% 16V
C1116	1-107-826-11	CERAMIC CHIP	0.1uF 10% 16V	C1192	1-107-826-11	CERAMIC CHIP	0.1uF 10% 16V
C1117	1-128-994-21	ELECT CHIP	47uF 20% 10V	C1193	1-127-715-11	CERAMIC CHIP	0.22uF 10% 16V
C1118	1-128-994-21	ELECT CHIP	47uF 20% 10V	C1195	1-127-715-11	CERAMIC CHIP	0.22uF 10% 16V
C1119	1-128-994-21	ELECT CHIP	47uF 20% 10V	C1197	1-107-826-11	CERAMIC CHIP	0.1uF 10% 16V
C1120	1-165-908-11	CERAMIC CHIP	1uF 10% 10V	C1198	1-165-908-11	CERAMIC CHIP	1uF 10% 10V
C1121	1-165-908-11	CERAMIC CHIP	1uF 10% 10V	C1199	1-162-968-11	CERAMIC CHIP	0.0047uF 10% 50V
C1122	1-165-908-11	CERAMIC CHIP	1uF 10% 10V	C1203	1-162-970-11	CERAMIC CHIP	0.01uF 10% 25V
C1123	1-165-908-11	CERAMIC CHIP	1uF 10% 10V	C1205	1-164-230-11	CERAMIC CHIP	220PF 5% 50V
C1124	1-165-908-11	CERAMIC CHIP	1uF 10% 10V	C1206	1-164-230-11	CERAMIC CHIP	220PF 5% 50V
C1125	1-107-826-11	CERAMIC CHIP	0.1uF 10% 16V	C1208	1-162-970-11	CERAMIC CHIP	0.01uF 10% 25V
C1126	1-107-826-11	CERAMIC CHIP	0.1uF 10% 16V	C1209	1-164-677-11	CERAMIC CHIP	0.033uF 10% 16V
C1127	1-162-970-11	CERAMIC CHIP	0.01uF 10% 25V	C1210	1-162-970-11	CERAMIC CHIP	0.01uF 10% 25V
C1129	1-165-989-11	CERAMIC CHIP	10uF 10% 6.3V	C1211	1-164-677-11	CERAMIC CHIP	0.033uF 10% 16V
C1130	1-107-826-11	CERAMIC CHIP	0.1uF 10% 16V	C1212	1-162-970-11	CERAMIC CHIP	0.01uF 10% 25V
C1132	1-107-826-11	CERAMIC CHIP	0.1uF 10% 16V	C1213	1-162-970-11	CERAMIC CHIP	0.01uF 10% 25V
C1133	1-107-826-11	CERAMIC CHIP	0.1uF 10% 16V	C1214	1-162-964-11	CERAMIC CHIP	0.001uF 10% 50V
C1135	1-164-677-11	CERAMIC CHIP	0.033uF 10% 16V	C1215	1-162-970-11	CERAMIC CHIP	0.01uF 10% 25V
C1136	1-162-970-11	CERAMIC CHIP	0.01uF 10% 25V	C1217	1-126-947-11	ELECT	47uF 20% 35V
C1137	1-107-826-11	CERAMIC CHIP	0.1uF 10% 16V	C1218	1-124-779-00	ELECT CHIP	10uF 20% 16V
C1138	1-162-964-11	CERAMIC CHIP	0.001uF 10% 50V	C1219	1-162-970-11	CERAMIC CHIP	0.01uF 10% 25V
C1139	1-162-919-11	CERAMIC CHIP	22PF 5% 50V	C1220	1-124-779-00	ELECT CHIP	10uF 20% 16V
C1140	1-107-826-11	CERAMIC CHIP	0.1uF 10% 16V	C1221	1-107-826-11	CERAMIC CHIP	0.1uF 10% 16V
C1144	1-162-970-11	CERAMIC CHIP	0.01uF 10% 25V	C1222	1-107-826-11	CERAMIC CHIP	0.1uF 10% 16V
C1145	1-124-779-00	ELECT CHIP	10uF 20% 16V	C1224	1-162-970-11	CERAMIC CHIP	0.01uF 10% 25V
C1146	1-107-826-11	CERAMIC CHIP	0.1uF 10% 16V	C1233	1-162-968-11	CERAMIC CHIP	0.0047uF 10% 50V
C1147	1-165-176-11	CERAMIC CHIP	0.047uF 10% 16V	C1725	1-162-970-11	CERAMIC CHIP	0.01uF 10% 25V
C1148	1-165-176-11	CERAMIC CHIP	0.047uF 10% 16V	C1726	1-162-970-11	CERAMIC CHIP	0.01uF 10% 25V
C1149	1-107-826-11	CERAMIC CHIP	0.1uF 10% 16V	C1727	1-107-826-11	CERAMIC CHIP	0.1uF 10% 16V
C1151	1-162-964-11	CERAMIC CHIP	0.001uF 10% 50V	C1728	1-128-994-21	ELECT CHIP	47uF 20% 10V
C1152	1-162-916-11	CERAMIC CHIP	12PF 5% 50V	C1729	1-127-715-11	CERAMIC CHIP	0.22uF 10% 16V
C1153	1-162-916-11	CERAMIC CHIP	12PF 5% 50V	C1730	1-127-715-11	CERAMIC CHIP	0.22uF 10% 16V
C1154	1-107-826-11	CERAMIC CHIP	0.1uF 10% 16V	C1731	1-127-715-11	CERAMIC CHIP	0.22uF 10% 16V
C1155	1-162-970-11	CERAMIC CHIP	0.01uF 10% 25V	C1732	1-162-970-11	CERAMIC CHIP	0.01uF 10% 25V
C1156	1-162-970-11	CERAMIC CHIP	0.01uF 10% 25V	C1733	1-127-715-11	CERAMIC CHIP	0.22uF 10% 16V
C1158	1-162-970-11	CERAMIC CHIP	0.01uF 10% 25V	C1734	1-165-908-11	CERAMIC CHIP	1uF 10% 10V
C1159	1-107-826-11	CERAMIC CHIP	0.1uF 10% 16V	C2100	1-162-970-11	CERAMIC CHIP	0.01uF 10% 25V
C1160	1-162-970-11	CERAMIC CHIP	0.01uF 10% 25V	C2108	1-127-760-11	CERAMIC CHIP	4.7uF 10% 6.3V
C1161	1-162-970-11	CERAMIC CHIP	0.01uF 10% 25V	C2109	1-126-206-11	ELECT CHIP	100uF 20% 6.3V
C1162	1-162-970-11	CERAMIC CHIP	0.01uF 10% 25V	C2110	1-126-206-11	ELECT CHIP	100uF 20% 6.3V
C1163	1-162-970-11	CERAMIC CHIP	0.01uF 10% 25V	C2114	1-107-826-11	CERAMIC CHIP	0.1uF 10% 16V

HCD-HDX275/HDX277WC/HDX279W/HDX475/HDX576WF/HDX675

MAIN

Ref. No.	Part No.	Description	Remark
C2115	1-165-989-11	CERAMIC CHIP 10uF 10%	6.3V
C2116	1-107-826-11	CERAMIC CHIP 0.1uF 10%	16V
C2117	1-165-989-11	CERAMIC CHIP 10uF 10%	6.3V
C2118	1-107-826-11	CERAMIC CHIP 0.1uF 10%	16V
C2119	1-162-964-11	CERAMIC CHIP 0.001uF 10%	50V
C2130	1-162-970-11	CERAMIC CHIP 0.01uF 10%	25V
C2502	1-164-172-11	CERAMIC CHIP 0.0056uF 10%	25V
C2503	1-127-760-11	CERAMIC CHIP 4.7uF 10%	6.3V
C3000	1-126-382-11	ELECT 100uF 20%	16V
C3001	1-126-947-11	ELECT 47uF 20%	35V
C3002	1-115-339-11	CERAMIC CHIP 0.1uF 10%	50V
C3003	1-162-964-11	CERAMIC CHIP 0.001uF 10%	50V
C3005	1-126-795-11	ELECT 10uF 20%	50V
C3008	1-107-826-11	CERAMIC CHIP 0.1uF 10%	16V
C3011	1-126-947-11	ELECT 47uF 20%	35V
C3012	1-107-826-11	CERAMIC CHIP 0.1uF 10%	16V
C3013	1-107-826-11	CERAMIC CHIP 0.1uF 10%	16V
C3014	1-107-826-11	CERAMIC CHIP 0.1uF 10%	16V
C3015	1-107-826-11	CERAMIC CHIP 0.1uF 10%	16V
C3016	1-107-826-11	CERAMIC CHIP 0.1uF 10%	16V
C3017	1-107-826-11	CERAMIC CHIP 0.1uF 10%	16V
C3018	1-107-826-11	CERAMIC CHIP 0.1uF 10%	16V
C3019	1-107-826-11	CERAMIC CHIP 0.1uF 10%	16V
C3020	1-107-826-11	CERAMIC CHIP 0.1uF 10%	16V
C3021	1-126-947-11	ELECT 47uF 20%	35V (HDX275/HDX277WC/HDX475/HDX675)
C3022	1-107-826-11	CERAMIC CHIP 0.1uF 10%	16V (HDX275/HDX277WC/HDX475/HDX675)
C3023	1-107-826-11	CERAMIC CHIP 0.1uF 10%	16V (HDX275/HDX277WC/HDX475/HDX675)
C3024	1-107-826-11	CERAMIC CHIP 0.1uF 10%	16V (HDX275/HDX277WC/HDX475/HDX675)
C3025	1-107-826-11	CERAMIC CHIP 0.1uF 10%	16V (HDX275/HDX277WC/HDX475/HDX675)
C3026	1-107-826-11	CERAMIC CHIP 0.1uF 10%	16V (HDX275/HDX277WC/HDX475/HDX675)
C3027	1-107-826-11	CERAMIC CHIP 0.1uF 10%	16V (HDX275/HDX277WC/HDX475/HDX675)
C3028	1-107-826-11	CERAMIC CHIP 0.1uF 10%	16V (HDX275/HDX277WC/HDX475/HDX675)
C3029	1-107-826-11	CERAMIC CHIP 0.1uF 10%	16V (HDX275/HDX277WC/HDX475/HDX675)
C3030	1-107-826-11	CERAMIC CHIP 0.1uF 10%	16V (HDX275/HDX277WC/HDX475/HDX675)
C3031	1-126-947-11	ELECT 47uF 20%	35V
C3032	1-107-826-11	CERAMIC CHIP 0.1uF 10%	16V
C3033	1-107-826-11	CERAMIC CHIP 0.1uF 10%	16V
C3034	1-107-826-11	CERAMIC CHIP 0.1uF 10%	16V
C3035	1-107-826-11	CERAMIC CHIP 0.1uF 10%	16V
C3036	1-107-826-11	CERAMIC CHIP 0.1uF 10%	16V
C3037	1-107-826-11	CERAMIC CHIP 0.1uF 10%	16V
C3038	1-107-826-11	CERAMIC CHIP 0.1uF 10%	16V
C3039	1-107-826-11	CERAMIC CHIP 0.1uF 10%	16V
C3040	1-107-826-11	CERAMIC CHIP 0.1uF 10%	16V
C3051	1-115-339-11	CERAMIC CHIP 0.1uF 10%	50V
C3052	1-165-908-11	CERAMIC CHIP 1uF 10%	10V
C3053	1-107-826-11	CERAMIC CHIP 0.1uF 10%	16V
C3054	1-126-933-11	ELECT 100uF 20%	16V
C3055	1-162-970-11	CERAMIC CHIP 0.01uF 10%	25V
C3056	1-126-923-91	ELECT 220uF 20%	10V
C3057	1-162-970-11	CERAMIC CHIP 0.01uF 10%	25V
C3058	1-162-910-11	CERAMIC CHIP 5PF 0.25PF	50V

Ref. No.	Part No.	Description	Remark
C3059	1-162-964-11	CERAMIC CHIP 0.001uF 10%	50V
C3060	1-162-915-11	CERAMIC CHIP 10PF 0.5PF	50V
C3071	1-162-970-11	CERAMIC CHIP 0.01uF 10%	25V
C3072	1-107-826-11	CERAMIC CHIP 0.1uF 10%	16V
C3073	1-107-826-11	CERAMIC CHIP 0.1uF 10%	16V
C3081	1-126-923-91	ELECT 220uF 20%	10V
C3082	1-126-923-91	ELECT 220uF 20%	10V
C3083	1-162-927-11	CERAMIC CHIP 100PF 5%	50V
C3084	1-162-927-11	CERAMIC CHIP 100PF 5%	50V
C3085	1-162-927-11	CERAMIC CHIP 100PF 5%	50V
C3086	1-162-927-11	CERAMIC CHIP 100PF 5%	50V
C3087	1-162-927-11	CERAMIC CHIP 100PF 5%	50V
C3088	1-162-927-11	CERAMIC CHIP 100PF 5%	50V
C3090	1-104-658-91	ELECT 100uF 20%	10V
C3091	1-126-934-11	ELECT 220uF 20%	16V
C3092	1-162-927-11	CERAMIC CHIP 100PF 5%	50V
C3093	1-162-927-11	CERAMIC CHIP 100PF 5%	50V
C3094	1-162-927-11	CERAMIC CHIP 100PF 5%	50V
C3100	1-104-329-11	CERAMIC CHIP 0.1uF 10%	50V
C3103	1-107-725-11	CERAMIC CHIP 0.1uF 10%	16V
C3104	1-107-826-11	CERAMIC CHIP 0.1uF 10%	16V
C3105	1-107-725-11	CERAMIC CHIP 0.1uF 10%	16V
C3106	1-115-185-11	CERAMIC CHIP 0.033uF 10%	50V
C3107	1-115-185-11	CERAMIC CHIP 0.033uF 10%	50V
C3108	1-104-329-11	CERAMIC CHIP 0.1uF 10%	50V
C3109	1-112-246-11	ELECT 100uF 20%	35V
C3112	1-112-246-11	ELECT 100uF 20%	35V
C3113	1-104-329-11	CERAMIC CHIP 0.1uF 10%	50V
C3114	1-137-198-81	FILM 1uF 5%	50V
C3115	1-137-198-81	FILM 1uF 5%	50V
C3116	1-112-831-11	ELECT 2200uF 20%	35V
C3117	1-104-329-11	CERAMIC CHIP 0.1uF 10%	50V
C3122	1-162-964-11	CERAMIC CHIP 0.001uF 10%	50V
C3123	1-162-964-11	CERAMIC CHIP 0.001uF 10%	50V
C3124	1-164-505-11	CERAMIC CHIP 2.2uF	16V
C3125	1-164-505-11	CERAMIC CHIP 2.2uF	16V
C3126	1-164-505-11	CERAMIC CHIP 2.2uF	16V (HDX275/HDX277WC/HDX475/HDX675)
C3127	1-164-505-11	CERAMIC CHIP 2.2uF	16V (HDX275/HDX277WC/HDX475/HDX675)
C3128	1-164-505-11	CERAMIC CHIP 2.2uF	16V
C3129	1-117-370-11	CERAMIC CHIP 10uF	10V
C3150	1-104-329-11	CERAMIC CHIP 0.1uF 10%	50V
C3153	1-107-725-11	CERAMIC CHIP 0.1uF 10%	16V
C3154	1-107-826-11	CERAMIC CHIP 0.1uF 10%	16V
C3155	1-107-725-11	CERAMIC CHIP 0.1uF 10%	16V
C3156	1-115-185-11	CERAMIC CHIP 0.033uF 10%	50V
C3157	1-115-185-11	CERAMIC CHIP 0.033uF 10%	50V
C3158	1-104-329-11	CERAMIC CHIP 0.1uF 10%	50V
C3159	1-112-246-11	ELECT 100uF 20%	35V
C3162	1-112-246-11	ELECT 100uF 20%	35V
C3163	1-104-329-11	CERAMIC CHIP 0.1uF 10%	50V
C3164	1-137-198-81	FILM 1uF 5%	50V
C3165	1-137-198-81	FILM 1uF 5%	50V
C3166	1-112-831-11	ELECT 2200uF 20%	35V
C3167	1-104-329-11	CERAMIC CHIP 0.1uF 10%	50V
C3172	1-162-964-11	CERAMIC CHIP 0.001uF 10%	50V
C3173	1-162-964-11	CERAMIC CHIP 0.001uF 10%	50V
C3200	1-104-329-11	CERAMIC CHIP 0.1uF 10%	50V (HDX275/HDX277WC/HDX475/HDX675)

Ref. No.	Part No.	Description	Remark	Ref. No.	Part No.	Description	Remark
C3203	1-107-725-11	CERAMIC CHIP 0.1uF 10% 16V (HDX275/HDX277WC/HDX475/HDX675)		C3315	1-137-198-81	FILM 1uF 5% 50V	
C3204	1-107-826-11	CERAMIC CHIP 0.1uF 10% 16V (HDX275/HDX277WC/HDX475/HDX675)		C3316	1-112-831-11	ELECT 2200uF 20% 35V	
C3205	1-107-725-11	CERAMIC CHIP 0.1uF 10% 16V (HDX275/HDX277WC/HDX475/HDX675)		C3317	1-104-329-11	CERAMIC CHIP 0.1uF 10% 50V	
C3206	1-115-185-11	CERAMIC CHIP 0.033uF 10% 50V (HDX275/HDX277WC/HDX475/HDX675)		C3322	1-162-964-11	CERAMIC CHIP 0.001uF 10% 50V (HDX275/HDX277WC/HDX475/HDX675)	
C3207	1-115-185-11	CERAMIC CHIP 0.033uF 10% 50V (HDX275/HDX277WC/HDX475/HDX675)		C3323	1-162-964-11	CERAMIC CHIP 0.001uF 10% 50V (HDX275/HDX277WC/HDX475/HDX675)	
C3208	1-104-329-11	CERAMIC CHIP 0.1uF 10% 50V (HDX275/HDX277WC/HDX475/HDX675)		C3400	1-104-329-11	CERAMIC CHIP 0.1uF 10% 50V	
C3209	1-112-246-11	ELECT 100uF 20% 35V (HDX275/HDX277WC/HDX475/HDX675)		C3403	1-107-725-11	CERAMIC CHIP 0.1uF 10% 16V	
C3212	1-112-246-11	ELECT 100uF 20% 35V (HDX275/HDX277WC/HDX475/HDX675)		C3404	1-107-826-11	CERAMIC CHIP 0.1uF 10% 16V	
C3213	1-104-329-11	CERAMIC CHIP 0.1uF 10% 50V (HDX275/HDX277WC/HDX475/HDX675)		C3405	1-107-725-11	CERAMIC CHIP 0.1uF 10% 16V	
C3214	1-137-198-81	FILM 1uF 5% 50V (HDX275/HDX277WC/HDX475/HDX675)		C3406	1-115-185-11	CERAMIC CHIP 0.033uF 10% 50V	
C3215	1-137-198-81	FILM 1uF 5% 50V (HDX275/HDX277WC/HDX475/HDX675)		C3407	1-115-185-11	CERAMIC CHIP 0.033uF 10% 50V	
C3216	1-112-831-11	ELECT 2200uF 20% 35V (HDX275/HDX277WC/HDX475/HDX675)		C3408	1-104-329-11	CERAMIC CHIP 0.1uF 10% 50V	
C3217	1-104-329-11	CERAMIC CHIP 0.1uF 10% 50V (HDX275/HDX277WC/HDX475/HDX675)		C3409	1-112-246-11	ELECT 100uF 20% 35V	
C3250	1-104-329-11	CERAMIC CHIP 0.1uF 10% 50V (HDX275/HDX277WC/HDX475/HDX675)		C3412	1-112-246-11	ELECT 100uF 20% 35V	
C3253	1-107-725-11	CERAMIC CHIP 0.1uF 10% 16V (HDX275/HDX277WC/HDX475/HDX675)		C3413	1-104-329-11	CERAMIC CHIP 0.1uF 10% 50V	
C3254	1-107-826-11	CERAMIC CHIP 0.1uF 10% 16V (HDX275/HDX277WC/HDX475/HDX675)		C3414	1-137-198-81	FILM 1uF 5% 50V	
C3255	1-107-725-11	CERAMIC CHIP 0.1uF 10% 16V (HDX275/HDX277WC/HDX475/HDX675)		C3415	1-137-198-81	FILM 1uF 5% 50V	
C3256	1-115-185-11	CERAMIC CHIP 0.033uF 10% 50V (HDX275/HDX277WC/HDX475/HDX675)		C3416	1-112-831-11	ELECT 2200uF 20% 35V	
C3257	1-115-185-11	CERAMIC CHIP 0.033uF 10% 50V (HDX275/HDX277WC/HDX475/HDX675)		C3417	1-104-329-11	CERAMIC CHIP 0.1uF 10% 50V	
C3258	1-104-329-11	CERAMIC CHIP 0.1uF 10% 50V (HDX275/HDX277WC/HDX475/HDX675)		C3422	1-162-964-11	CERAMIC CHIP 0.001uF 10% 50V (HDX275/HDX277WC/HDX475/HDX675)	
C3259	1-112-246-11	ELECT 100uF 20% 35V (HDX275/HDX277WC/HDX475/HDX675)		C3423	1-162-964-11	CERAMIC CHIP 0.001uF 10% 50V (HDX275/HDX277WC/HDX475/HDX675)	
C3262	1-112-246-11	ELECT 100uF 20% 35V (HDX275/HDX277WC/HDX475/HDX675)		C3500	1-104-329-11	CERAMIC CHIP 0.1uF 10% 50V	
C3263	1-104-329-11	CERAMIC CHIP 0.1uF 10% 50V (HDX275/HDX277WC/HDX475/HDX675)		C3503	1-107-725-11	CERAMIC CHIP 0.1uF 10% 16V	
C3264	1-137-198-81	FILM 1uF 5% 50V (HDX275/HDX277WC/HDX475/HDX675)		C3504	1-107-826-11	CERAMIC CHIP 0.1uF 10% 16V	
C3265	1-137-198-81	FILM 1uF 5% 50V (HDX275/HDX277WC/HDX475/HDX675)		C3505	1-107-725-11	CERAMIC CHIP 0.1uF 10% 16V	
C3266	1-112-831-11	ELECT 2200uF 20% 35V (HDX275/HDX277WC/HDX475/HDX675)		C3506	1-115-185-11	CERAMIC CHIP 0.033uF 10% 50V	
C3267	1-104-329-11	CERAMIC CHIP 0.1uF 10% 50V (HDX275/HDX277WC/HDX475/HDX675)		C3507	1-115-185-11	CERAMIC CHIP 0.033uF 10% 50V	
C3300	1-104-329-11	CERAMIC CHIP 0.1uF 10% 50V		C3508	1-104-329-11	CERAMIC CHIP 0.1uF 10% 50V	
C3303	1-107-725-11	CERAMIC CHIP 0.1uF 10% 16V		C3509	1-112-246-11	ELECT 100uF 20% 35V	
C3304	1-107-826-11	CERAMIC CHIP 0.1uF 10% 16V		C3512	1-112-246-11	ELECT 100uF 20% 35V	
C3305	1-107-725-11	CERAMIC CHIP 0.1uF 10% 16V		C3513	1-104-329-11	CERAMIC CHIP 0.1uF 10% 50V	
C3306	1-115-185-11	CERAMIC CHIP 0.033uF 10% 50V		C3514	1-137-198-81	FILM 1uF 5% 50V	
C3307	1-115-185-11	CERAMIC CHIP 0.033uF 10% 50V		C3515	1-137-198-81	FILM 1uF 5% 50V	
C3308	1-104-329-11	CERAMIC CHIP 0.1uF 10% 50V		C3516	1-112-831-11	ELECT 2200uF 20% 35V	
C3309	1-112-246-11	ELECT 100uF 20% 35V		C3517	1-104-329-11	CERAMIC CHIP 0.1uF 10% 50V	
C3312	1-112-246-11	ELECT 100uF 20% 35V		C3551	1-126-960-11	ELECT 1uF 20% 50V	
C3313	1-104-329-11	CERAMIC CHIP 0.1uF 10% 50V		C3552	1-126-964-11	ELECT 10uF 20% 50V	
C3314	1-137-198-81	FILM 1uF 5% 50V		C3553	1-115-339-11	CERAMIC CHIP 0.1uF 10% 50V	
				C3556	1-115-339-11	CERAMIC CHIP 0.1uF 10% 50V	
				C3561	1-165-989-11	CERAMIC CHIP 10uF 10% 6.3V	
				C3901	1-162-964-11	CERAMIC CHIP 0.001uF 10% 50V	
				C3902	1-162-964-11	CERAMIC CHIP 0.001uF 10% 50V	
				C3903	1-162-964-11	CERAMIC CHIP 0.001uF 10% 50V	
				C3904	1-162-964-11	CERAMIC CHIP 0.001uF 10% 50V	
				C3911	1-163-021-91	CERAMIC CHIP 0.01uF 10% 50V	
				C3912	1-163-021-91	CERAMIC CHIP 0.01uF 10% 50V	
				C3913	1-163-021-91	CERAMIC CHIP 0.01uF 10% 50V	
				C3914	1-163-021-91	CERAMIC CHIP 0.01uF 10% 50V	
				C4501	1-117-370-11	CERAMIC CHIP 10uF 10V	
				C4503	1-104-658-91	ELECT 100uF 20% 10V	
				C4504	1-162-970-11	CERAMIC CHIP 0.01uF 10% 25V	
				C9972	1-107-826-11	CERAMIC CHIP 0.1uF 10% 16V	
						< CONNECTOR >	
				CN204	1-817-615-21	CONNECTOR, SQUARE TYPE (RECE)	
				CN501	1-820-119-41	CONNECTOR, FFC/FPC 21P	
				CN504	1-784-861-51	CONNECTOR, FFC (LIF (NON-ZIF)) 9P	

HCD-HDX275/HDX277WC/HDX279W/HDX475/HDX576WF/HDX675

MAIN

Ref. No.	Part No.	Description	Remark	Ref. No.	Part No.	Description	Remark
CN606	1-820-112-41	CONNECTOR, FFC/FPC 9P		FB2121	1-469-118-21	FERRITE, EMI (SMD) (1608)	
CN625	1-573-845-11	CONNECTOR, BOARD TO BOARD 13P		FB2122	1-469-118-21	FERRITE, EMI (SMD) (1608)	
CN651	1-779-285-11	CONNECTOR, FFC (LIF (NON-ZIF)) 17P		FB2124	1-469-118-21	FERRITE, EMI (SMD) (1608)	
CN702	1-779-273-11	CONNECTOR, FFC (LIF (NON-ZIF)) 5P		FB2125	1-469-118-21	FERRITE, EMI (SMD) (1608)	
CN1101	1-815-763-32	CONNECTOR, FFC/FPC 24P				< FLUORESCENT INDICATOR TUBE >	
* CN1105	1-564-708-11	PIN, CONNECTOR (SMALL TYPE) 6P					
* CN1201	1-564-708-11	PIN, CONNECTOR (SMALL TYPE) 6P		FL4501	1-234-177-21	FILTER, CHIP EMI	
CN1701	1-820-735-31	HDMI CONNECTOR				< IC >	
CN3000	1-564-704-41	PIN, CONNECTOR (SMALL TYPE) 2P		IC201	6-712-613-01	IC SI-3010KM-TLS	
CN3001	1-564-706-11	PIN, CONNECTOR (SMALL TYPE) 4P		IC202	8-759-710-97	IC NJM4565M-D	
CN4302	1-820-116-41	CONNECTOR, FFC/FPC 17P		IC301	6-600-466-01	IC TORX147L (SONY) (TV DIGITAL IN OPTICAL)	
		< DIODE >		IC302	6-706-492-01	IC TC7SHU04FU (T5RSOJF)	
D501	6-501-817-01	DIODE MA2J1110GLS0		IC501	A-1544-880-A	IC R5F3640DDFAR (for SERVICE)	
D502	6-500-334-01	DIODE MC2836-T112-1		IC502	6-705-338-01	IC TK11250CMCL-G	
D505	6-500-334-01	DIODE MC2836-T112-1		IC503	6-708-922-01	IC PST3635NR	
D701	6-501-579-01	DIODE MC2837		IC505	6-712-613-01	IC SI-3010KM-TLS	
D3071	6-501-817-01	DIODE MA2J1110GLS0		IC506	6-712-613-01	IC SI-3010KM-TLS	
D3072	6-501-817-01	DIODE MA2J1110GLS0		IC507	6-705-337-01	IC TK11150CSCL-G	
D3073	6-501-817-01	DIODE MA2J1110GLS0		IC510	6-709-450-01	IC S-24CS16A0I-J8T1G	
D3111	6-500-885-01	DIODE P6SMBJ33A-5		IC702	8-759-825-15	IC LC89056W-E	
D3112	6-500-885-01	DIODE P6SMBJ33A-5		IC707	6-710-554-01	IC PCM1808PWR	
D3151	6-500-885-01	DIODE P6SMBJ33A-5		IC1101	6-711-522-01	IC CXD9917R (HDX275: E3, AUS)	
D3152	6-500-885-01	DIODE P6SMBJ33A-5		IC1101	6-711-953-01	IC CXD9927R (EXCEPT HDX275: E3, AUS)	
D3201	6-500-885-01	DIODE P6SMBJ33A-5 (HDX275/HDX277WC/HDX475/HDX675)		IC1102	6-808-200-01	IC MX29LV320CBTC70-CHI1-0803UC (EXCEPT HDX275: E3, AUS)	
D3202	6-500-885-01	DIODE P6SMBJ33A-5 (HDX275/HDX277WC/HDX475/HDX675)		IC1102	6-808-201-01	IC MX29LV320CBTC70-CHI1-0803CE (HDX275: E3, AUS)	
D3251	6-500-885-01	DIODE P6SMBJ33A-5 (HDX275/HDX277WC/HDX475/HDX675)		IC1103	(Not supplied)	IC S-24CS64A0I-J8T1G	
D3252	6-500-885-01	DIODE P6SMBJ33A-5 (HDX275/HDX277WC/HDX475/HDX675)		IC1104	6-707-897-01	IC EDS6416AHTA-75-E	
D3301	6-500-885-01	DIODE P6SMBJ33A-5		IC1105	6-702-302-01	IC TK11133CSCL-G	
D3302	6-500-885-01	DIODE P6SMBJ33A-5		IC1107	6-702-302-01	IC TK11133CSCL-G	
D3401	6-500-885-01	DIODE P6SMBJ33A-5		IC1110	6-707-739-01	IC MM1661JTR	
D3402	6-500-885-01	DIODE P6SMBJ33A-5		IC1201	6-704-524-01	IC FAN8036L	
D3501	6-500-885-01	DIODE P6SMBJ33A-5		IC1705	8-759-592-47	IC TC7SZ08FU (TE85R)	
D3502	6-500-885-01	DIODE P6SMBJ33A-5		IC1706	8-759-592-47	IC TC7SZ08FU (TE85R)	
D3551	6-501-579-01	DIODE MC2837		IC1707	6-705-337-01	IC TK11150CSCL-G	
D3552	6-501-774-01	DIODE MAZ8150G0LS0		IC1708	6-702-302-01	IC TK11133CSCL-G	
D9712	6-501-817-01	DIODE MA2J1110GLS0		IC3001	8-759-710-97	IC NJM4565M-D	
		< FERRITE BEAD >		IC3003	8-759-680-48	IC TC7WH157FK (TE85R)	
FB505	1-469-365-21	INDUCTOR, FERRITE BEAD FBMJ2125		IC3010	6-707-939-01	IC CXD9843AR	
FB506	1-469-324-21	FERRITE, EMI (SMD) (2012)		IC3020	6-707-939-01	IC CXD9843AR (HDX275/HDX277WC/HDX475/HDX675)	
FB508	1-469-365-21	INDUCTOR, FERRITE BEAD FBMJ2125		IC3030	6-707-939-01	IC CXD9843AR	
FB510	1-469-324-21	FERRITE, EMI (SMD) (2012)		IC3050	6-702-300-01	IC TK11118CSCL-G	
FB1106	1-469-324-21	FERRITE, EMI (SMD) (2012)		IC3051	6-709-888-01	IC TC7WHU04FK (T5RSOYF)	
FB1107	1-469-324-21	FERRITE, EMI (SMD) (2012)		IC3100	6-708-921-01	IC CXD9883M	
FB1108	1-469-324-21	FERRITE, EMI (SMD) (2012)		IC3150	6-708-921-01	IC CXD9883M	
FB1109	1-469-324-21	FERRITE, EMI (SMD) (2012)		IC3200	6-708-921-01	IC CXD9883M (HDX275/HDX277WC/HDX475/HDX675)	
FB1111	1-469-670-21	FERRITE, EMI (SMD) (2012)		IC3250	6-708-921-01	IC CXD9883M (HDX275/HDX277WC/HDX475/HDX675)	
FB1112	1-469-670-21	FERRITE, EMI (SMD) (2012)		IC3300	6-708-921-01	IC CXD9883M	
FB1113	1-469-670-21	FERRITE, EMI (SMD) (2012)		IC3400	6-708-921-01	IC CXD9883M	
FB1115	1-469-670-21	FERRITE, EMI (SMD) (2012)		IC3500	6-708-921-01	IC CXD9883M	
FB1116	1-469-670-21	FERRITE, EMI (SMD) (2012)		IC4502	6-707-853-01	IC TC74LCX541FT (EKJ)	
FB1117	1-469-670-21	FERRITE, EMI (SMD) (2012)				< JACK >	
FB1118	1-469-670-21	FERRITE, EMI (SMD) (2012)		J302	1-784-431-11	JACK, PIN 1P (TV DIGITAL IN COAXIAL)	
FB2101	1-469-324-21	FERRITE, EMI (SMD) (2012)					
FB2103	1-469-324-21	FERRITE, EMI (SMD) (2012)					
FB2120	1-469-118-21	FERRITE, EMI (SMD) (1608)					

Ref. No.	Part No.	Description	Remark	Ref. No.	Part No.	Description	Remark
		< COIL >					
L200	1-469-525-91	INDUCTOR	10uH	Q3202	6-551-696-01	TRANSISTOR	ISA1235AC1TP-1EF (HDX275/HDX277WC/HDX475/HDX675)
L301	1-469-525-91	INDUCTOR	10uH	Q3251	6-551-696-01	TRANSISTOR	ISA1235AC1TP-1EF
L302	1-469-525-91	INDUCTOR	10uH	Q3252	6-551-696-01	TRANSISTOR	ISA1235AC1TP-1EF
L701	1-469-525-91	INDUCTOR	10uH	Q3301	6-551-696-01	TRANSISTOR	ISA1235AC1TP-1EF
L702	1-469-525-91	INDUCTOR	10uH	Q3302	6-551-696-01	TRANSISTOR	ISA1235AC1TP-1EF
L703	1-469-525-91	INDUCTOR	10uH	Q3401	6-551-696-01	TRANSISTOR	ISA1235AC1TP-1EF (HDX275/HDX277WC/HDX475/HDX675)
L1701	1-457-374-21	COMMOM MODE CHOKE COIL		Q3402	6-551-696-01	TRANSISTOR	ISA1235AC1TP-1EF (HDX275/HDX277WC/HDX475/HDX675)
			(HDX275: E3, AUS)	Q3551	8-729-620-07	TRANSISTOR	2SC3052EF-T1-LEF
* L1701	1-813-308-11	COMMON MODE CHOKE		Q3552	8-729-620-07	TRANSISTOR	2SC3052EF-T1-LEF
			(EXCEPT HDX275: E3, AUS)	Q3553	8-729-620-07	TRANSISTOR	2SC3052EF-T1-LEF
L1702	1-457-374-21	COMMOM MODE CHOKE COIL		Q3554	8-729-620-07	TRANSISTOR	2SC3052EF-T1-LEF
			(HDX275: E3, AUS)	Q3555	8-729-620-07	TRANSISTOR	2SC3052EF-T1-LEF
* L1702	1-813-308-11	COMMON MODE CHOKE		Q9724	6-551-699-01	TRANSISTOR	ISA1602AM1TP-1EF
			(EXCEPT HDX275: E3, AUS)	Q9726	8-729-620-13	TRANSISTOR	2SC4154TP-1EF
L1703	1-457-374-21	COMMOM MODE CHOKE COIL		Q9728	8-729-620-13	TRANSISTOR	2SC4154TP-1EF
			(HDX275: E3, AUS)	Q9729	8-729-027-43	TRANSISTOR	DTC114EKA-T146
* L1703	1-813-308-11	COMMON MODE CHOKE					< RESISTOR >
			(EXCEPT HDX275: E3, AUS)	R203	1-218-879-11	METAL CHIP	22K 0.5% 1/10W
L1704	1-457-374-21	COMMOM MODE CHOKE COIL		R208	1-218-879-11	METAL CHIP	22K 0.5% 1/10W
			(HDX275: E3, AUS)	R214	1-218-879-11	METAL CHIP	22K 0.5% 1/10W
* L1704	1-813-308-11	COMMON MODE CHOKE		R215	1-218-879-11	METAL CHIP	22K 0.5% 1/10W
			(EXCEPT HDX275: E3, AUS)	R220	1-216-821-11	METAL CHIP	1K 5% 1/10W
L3000	1-469-527-91	INDUCTOR	47uH	R221	1-218-847-11	METAL CHIP	1K 0.5% 1/10W
L3051	1-469-525-91	INDUCTOR	10uH	R222	1-218-885-11	METAL CHIP	39K 0.5% 1/10W
L3052	1-469-525-91	INDUCTOR	10uH	R223	1-218-871-11	METAL CHIP	10K 0.5% 1/10W
L3053	1-469-525-91	INDUCTOR	10uH	R227	1-218-879-11	METAL CHIP	22K 0.5% 1/10W
L3054	1-412-939-11	INDUCTOR	1uH	R228	1-218-879-11	METAL CHIP	22K 0.5% 1/10W
L3101	1-457-579-11	INDUCTOR	10uH	R229	1-218-879-11	METAL CHIP	22K 0.5% 1/10W
L3102	1-457-579-11	INDUCTOR	10uH	R230	1-218-879-11	METAL CHIP	22K 0.5% 1/10W
L3201	1-457-579-11	INDUCTOR	10uH	R231	1-216-827-11	METAL CHIP	3.3K 5% 1/10W
			(HDX275/HDX277WC/HDX475/HDX675)	R232	1-216-829-11	METAL CHIP	4.7K 5% 1/10W
L3202	1-457-579-11	INDUCTOR	10uH	R317	1-216-809-11	METAL CHIP	100 5% 1/10W
			(HDX275/HDX277WC/HDX475/HDX675)	R318	1-216-809-11	METAL CHIP	100 5% 1/10W
L3301	1-457-579-11	INDUCTOR	10uH	R319	1-216-841-11	METAL CHIP	47K 5% 1/10W
L3401	1-457-579-11	INDUCTOR	10uH	R328	1-218-285-11	METAL CHIP	75 5% 1/10W
L3501	1-457-579-11	INDUCTOR	10uH	R329	1-216-817-11	METAL CHIP	470 5% 1/10W
L3901	1-457-078-11	AIR-CORE COIL		R501	1-216-857-11	METAL CHIP	1M 5% 1/10W
L3902	1-457-077-11	AIR-CORE COIL		R502	1-216-809-11	METAL CHIP	100 5% 1/10W
L3903	1-457-078-11	AIR-CORE COIL		R504	1-216-833-11	METAL CHIP	10K 5% 1/10W
L3904	1-457-077-11	AIR-CORE COIL					(HDX275: E3)
L4501	1-469-527-91	INDUCTOR	47uH	R504	1-216-835-11	METAL CHIP	15K 5% 1/10W
							(HDX275: AUS)
		< TRANSISTOR >		R504	1-216-841-11	METAL CHIP	47K 5% 1/10W
Q503	8-729-620-07	TRANSISTOR	2SC3052EF-T1-LEF				(EXCEPT HDX275: E3, AUS)
Q631	8-729-620-07	TRANSISTOR	2SC3052EF-T1-LEF	R505	1-216-837-11	METAL CHIP	22K 5% 1/10W
Q632	8-729-620-07	TRANSISTOR	2SC3052EF-T1-LEF				(EXCEPT HDX275: E3, AUS)
Q1101	6-550-008-01	TRANSISTOR	UM6K1N-TN	R505	1-216-841-11	METAL CHIP	47K 5% 1/10W
Q1102	6-550-653-01	TRANSISTOR	QST8TR				(HDX275: E3, AUS)
Q1103	8-729-027-52	TRANSISTOR	DTC124EKA-T146	R506	1-216-827-11	METAL CHIP	3.3K 5% 1/10W
Q1701	6-550-008-01	TRANSISTOR	UM6K1N-TN				(HDX275)
Q3000	8-729-111-29	TRANSISTOR	2SD1616A-K	R506	1-218-867-11	METAL CHIP	6.8K 0.5% 1/10W
Q3001	8-729-620-07	TRANSISTOR	2SC3052EF-T1-LEF				(HDX279W)
Q3002	8-729-620-07	TRANSISTOR	2SC3052EF-T1-LEF	R506	1-216-833-11	METAL CHIP	10K 5% 1/10W
Q3081	8-729-027-23	TRANSISTOR	DTA114EKA-T146				(HDX277WC)
Q3101	6-551-696-01	TRANSISTOR	ISA1235AC1TP-1EF	R506	1-216-837-11	METAL CHIP	22K 5% 1/10W
Q3102	6-551-696-01	TRANSISTOR	ISA1235AC1TP-1EF				(HDX475)
Q3151	6-551-696-01	TRANSISTOR	ISA1235AC1TP-1EF	R506	1-216-841-11	METAL CHIP	47K 5% 1/10W
Q3152	6-551-696-01	TRANSISTOR	ISA1235AC1TP-1EF				(HDX576WF/HDX675)
Q3201	6-551-696-01	TRANSISTOR	ISA1235AC1TP-1EF (HDX275/HDX277WC/HDX475/HDX675)				

Note: EEPROM (IC1103) on the MAIN board cannot exchange with single. When EEPROM (IC1103) on the MAIN board is damaged, exchange the entire mounted board.

HCD-HDX275/HDX277WC/HDX279W/HDX475/HDX576WF/HDX675

MAIN

Ref. No.	Part No.	Description	Remark	Ref. No.	Part No.	Description	Remark
R507	1-216-827-11	METAL CHIP 3.3K	5% 1/10W (HDX675)	R584	1-216-821-11	METAL CHIP 1K	5% 1/10W
R507	1-216-841-11	METAL CHIP 47K	5% 1/10W (HDX275/HDX277WC/HDX279W/HDX475/HDX576WF)	R586	1-216-833-11	METAL CHIP 10K	5% 1/10W
R508	1-216-864-11	SHORT CHIP 0		R587	1-218-871-11	METAL CHIP 10K	0.5% 1/10W
R509	1-216-809-11	METAL CHIP 100	5% 1/10W	R588	1-218-885-11	METAL CHIP 39K	0.5% 1/10W
R510	1-216-833-11	METAL CHIP 10K	5% 1/10W	R589	1-218-847-11	METAL CHIP 1K	0.5% 1/10W
R511	1-216-821-11	METAL CHIP 1K	5% 1/10W	R590	1-216-821-11	METAL CHIP 1K	5% 1/10W
R512	1-216-833-11	METAL CHIP 10K	5% 1/10W	R592	1-216-864-11	SHORT CHIP 0	
R513	1-216-821-11	METAL CHIP 1K	5% 1/10W	R593	1-216-833-11	METAL CHIP 10K	5% 1/10W
R514	1-216-833-11	METAL CHIP 10K	5% 1/10W	R595	1-216-833-11	METAL CHIP 10K	5% 1/10W
R515	1-216-821-11	METAL CHIP 1K	5% 1/10W	R596	1-218-871-11	METAL CHIP 10K	0.5% 1/10W
R516	1-216-821-11	METAL CHIP 1K	5% 1/10W	R597	1-218-879-11	METAL CHIP 22K	0.5% 1/10W
R517	1-216-809-11	METAL CHIP 100	5% 1/10W	R598	1-218-851-11	METAL CHIP 1.5K	0.5% 1/10W
R518	1-216-809-11	METAL CHIP 100	5% 1/10W	R599	1-216-821-11	METAL CHIP 1K	5% 1/10W
R519	1-216-833-11	METAL CHIP 10K	5% 1/10W	R603	1-216-809-11	METAL CHIP 100	5% 1/10W
R526	1-216-821-11	METAL CHIP 1K	5% 1/10W	R604	1-216-809-11	METAL CHIP 100	5% 1/10W
R527	1-216-833-11	METAL CHIP 10K	5% 1/10W	R605	1-216-809-11	METAL CHIP 100	5% 1/10W
R528	1-216-833-11	METAL CHIP 10K	5% 1/10W	R606	1-216-809-11	METAL CHIP 100	5% 1/10W
R529	1-216-821-11	METAL CHIP 1K	5% 1/10W	R607	1-216-809-11	METAL CHIP 100	5% 1/10W
R530	1-216-809-11	METAL CHIP 100	5% 1/10W	R608	1-216-829-11	METAL CHIP 4.7K	5% 1/10W
R531	1-216-833-11	METAL CHIP 10K	5% 1/10W	R609	1-216-829-11	METAL CHIP 4.7K	5% 1/10W
R532	1-216-821-11	METAL CHIP 1K	5% 1/10W	R611	1-216-809-11	METAL CHIP 100	5% 1/10W
R533	1-216-809-11	METAL CHIP 100	5% 1/10W	R612	1-216-809-11	METAL CHIP 100	5% 1/10W
R534	1-216-833-11	METAL CHIP 10K	5% 1/10W	R613	1-216-809-11	METAL CHIP 100	5% 1/10W
R535	1-216-809-11	METAL CHIP 100	5% 1/10W	R621	1-216-809-11	METAL CHIP 100	5% 1/10W
R536	1-216-864-11	SHORT CHIP 0		R622	1-216-809-11	METAL CHIP 100	5% 1/10W
R537	1-216-821-11	METAL CHIP 1K	5% 1/10W	R623	1-216-809-11	METAL CHIP 100	5% 1/10W
R539	1-216-833-11	METAL CHIP 10K	5% 1/10W	R624	1-216-809-11	METAL CHIP 100	5% 1/10W
R540	1-216-833-11	METAL CHIP 10K	5% 1/10W	R625	1-216-809-11	METAL CHIP 100	5% 1/10W
R542	1-216-833-11	METAL CHIP 10K	5% 1/10W	R626	1-216-833-11	METAL CHIP 10K	5% 1/10W
R543	1-216-864-11	SHORT CHIP 0		R627	1-216-837-11	METAL CHIP 22K	5% 1/10W
R544	1-216-833-11	METAL CHIP 10K	5% 1/10W	R628	1-216-841-11	METAL CHIP 47K	5% 1/10W
R546	1-216-821-11	METAL CHIP 1K	5% 1/10W	R629	1-216-809-11	METAL CHIP 100	5% 1/10W
R547	1-216-864-11	SHORT CHIP 0		R631	1-216-833-11	METAL CHIP 10K	5% 1/10W
R548	1-216-864-11	SHORT CHIP 0		R632	1-216-841-11	METAL CHIP 47K	5% 1/10W
R551	1-216-809-11	METAL CHIP 100	5% 1/10W	R636	1-216-864-11	SHORT CHIP 0	
R552	1-216-821-11	METAL CHIP 1K	5% 1/10W	R638	1-216-864-11	SHORT CHIP 0	
R553	1-216-833-11	METAL CHIP 10K	5% 1/10W	R639	1-216-809-11	METAL CHIP 100	5% 1/10W
R555	1-216-833-11	METAL CHIP 10K	5% 1/10W	R640	1-216-809-11	METAL CHIP 100	5% 1/10W
R556	1-216-841-11	METAL CHIP 47K	5% 1/10W	R641	1-216-809-11	METAL CHIP 100	5% 1/10W
R557	1-216-841-11	METAL CHIP 47K	5% 1/10W	R642	1-216-809-11	METAL CHIP 100	5% 1/10W
R558	1-216-833-11	METAL CHIP 10K	5% 1/10W	R643	1-216-809-11	METAL CHIP 100	5% 1/10W
R559	1-216-833-11	METAL CHIP 10K	5% 1/10W	R648	1-216-864-11	SHORT CHIP 0	
R561	1-216-845-11	METAL CHIP 100K	5% 1/10W	R650	1-216-809-11	METAL CHIP 100	5% 1/10W
R562	1-216-841-11	METAL CHIP 47K	5% 1/10W	R651	1-216-809-11	METAL CHIP 100	5% 1/10W
R563	1-216-833-11	METAL CHIP 10K	5% 1/10W	R652	1-216-809-11	METAL CHIP 100	5% 1/10W
R564	1-216-864-11	SHORT CHIP 0		R654	1-216-809-11	METAL CHIP 100	5% 1/10W
R565	1-216-864-11	SHORT CHIP 0		R655	1-216-809-11	METAL CHIP 100	5% 1/10W
R566	1-216-864-11	SHORT CHIP 0		R656	1-216-809-11	METAL CHIP 100	5% 1/10W
R567	1-216-864-11	SHORT CHIP 0		R657	1-216-809-11	METAL CHIP 100	5% 1/10W
R568	1-216-864-11	SHORT CHIP 0		R660	1-216-864-11	SHORT CHIP 0	
R569	1-216-864-11	SHORT CHIP 0		R661	1-216-864-11	SHORT CHIP 0	
R576	1-216-829-11	METAL CHIP 4.7K	5% 1/10W	R662	1-216-809-11	METAL CHIP 100	5% 1/10W
R577	1-216-829-11	METAL CHIP 4.7K	5% 1/10W	R663	1-216-809-11	METAL CHIP 100	5% 1/10W
R578	1-216-829-11	METAL CHIP 4.7K	5% 1/10W	R664	1-216-809-11	METAL CHIP 100	5% 1/10W
R579	1-216-809-11	METAL CHIP 100	5% 1/10W	R666	1-216-809-11	METAL CHIP 100	5% 1/10W
R580	1-216-809-11	METAL CHIP 100	5% 1/10W	R667	1-216-809-11	METAL CHIP 100	5% 1/10W
R582	1-216-833-11	METAL CHIP 10K	5% 1/10W	R683	1-216-809-11	METAL CHIP 100	5% 1/10W
R583	1-216-841-11	METAL CHIP 47K	5% 1/10W	R685	1-216-864-11	SHORT CHIP 0	
				R690	1-216-809-11	METAL CHIP 100	5% 1/10W
				R691	1-216-864-11	SHORT CHIP 0	

Ref. No.	Part No.	Description	Remark
R692	1-216-864-11	SHORT CHIP	0
R693	1-216-864-11	SHORT CHIP	0
R694	1-216-864-11	SHORT CHIP	0
R695	1-216-864-11	SHORT CHIP	0
R696	1-216-864-11	SHORT CHIP	0
R697	1-216-864-11	SHORT CHIP	0
R709	1-216-864-11	SHORT CHIP	0
R710	1-216-833-11	METAL CHIP	10K 5% 1/10W
R713	1-216-839-11	METAL CHIP	33K 5% 1/10W
R714	1-216-829-11	METAL CHIP	4.7K 5% 1/10W
R715	1-216-830-11	METAL CHIP	5.6K 5% 1/10W
R716	1-216-809-11	METAL CHIP	100 5% 1/10W
R717	1-216-809-11	METAL CHIP	100 5% 1/10W
R718	1-216-809-11	METAL CHIP	100 5% 1/10W
R720	1-216-833-11	METAL CHIP	10K 5% 1/10W
R721	1-216-864-11	SHORT CHIP	0
R726	1-216-809-11	METAL CHIP	100 5% 1/10W
R729	1-216-809-11	METAL CHIP	100 5% 1/10W
R730	1-216-809-11	METAL CHIP	100 5% 1/10W
R731	1-216-821-11	METAL CHIP	1K 5% 1/10W
R732	1-216-815-11	METAL CHIP	330 5% 1/10W
R733	1-216-857-11	METAL CHIP	1M 5% 1/10W
R734	1-216-809-11	METAL CHIP	100 5% 1/10W
R735	1-216-809-11	METAL CHIP	100 5% 1/10W
R736	1-216-809-11	METAL CHIP	100 5% 1/10W
R737	1-216-833-11	METAL CHIP	10K 5% 1/10W
R738	1-216-809-11	METAL CHIP	100 5% 1/10W
R740	1-216-864-11	SHORT CHIP	0
R741	1-216-864-11	SHORT CHIP	0
R742	1-216-833-11	METAL CHIP	10K 5% 1/10W
R743	1-216-809-11	METAL CHIP	100 5% 1/10W
R744	1-216-864-11	SHORT CHIP	0
R745	1-216-864-11	SHORT CHIP	0
R746	1-216-864-11	SHORT CHIP	0
R747	1-216-864-11	SHORT CHIP	0
R748	1-216-864-11	SHORT CHIP	0
R749	1-216-864-11	SHORT CHIP	0
R750	1-216-809-11	METAL CHIP	100 5% 1/10W
R763	1-216-864-11	SHORT CHIP	0
R764	1-216-864-11	SHORT CHIP	0
R765	1-216-864-11	SHORT CHIP	0
R766	1-216-864-11	SHORT CHIP	0
R767	1-216-864-11	SHORT CHIP	0
R768	1-216-864-11	SHORT CHIP	0
R769	1-216-864-11	SHORT CHIP	0
R778	1-216-864-11	SHORT CHIP	0
R780	1-216-805-11	METAL CHIP	47 5% 1/10W
R781	1-216-805-11	METAL CHIP	47 5% 1/10W
R782	1-216-801-11	METAL CHIP	22 5% 1/10W
R783	1-216-801-11	METAL CHIP	22 5% 1/10W
R784	1-216-801-11	METAL CHIP	22 5% 1/10W
R785	1-216-801-11	METAL CHIP	22 5% 1/10W
R787	1-216-809-11	METAL CHIP	100 5% 1/10W
R788	1-216-864-11	SHORT CHIP	0
R790	1-216-864-11	SHORT CHIP	0
R791	1-216-864-11	SHORT CHIP	0
R793	1-216-864-11	SHORT CHIP	0
R794	1-216-864-11	SHORT CHIP	0
R796	1-216-864-11	SHORT CHIP	0
R797	1-216-864-11	SHORT CHIP	0

Ref. No.	Part No.	Description	Remark
R1101	1-216-809-11	METAL CHIP	100 5% 1/10W
R1102	1-216-864-11	SHORT CHIP	0
R1103	1-218-864-11	METAL CHIP	5.1K 0.5% 1/10W
R1105	1-216-833-11	METAL CHIP	10K 5% 1/10W
R1106	1-216-833-11	METAL CHIP	10K 5% 1/10W
R1107	1-216-833-11	METAL CHIP	10K 5% 1/10W
R1108	1-216-857-11	METAL CHIP	1M 5% 1/10W
R1109	1-216-864-11	SHORT CHIP	0
R1110	1-216-841-11	METAL CHIP	47K 5% 1/10W
R1111	1-216-809-11	METAL CHIP	100 5% 1/10W
R1112	1-211-977-11	METAL CHIP	22 0.5% 1/10W
R1113	1-211-977-11	METAL CHIP	22 0.5% 1/10W
R1114	1-216-845-11	METAL CHIP	100K 5% 1/10W
R1115	1-211-977-11	METAL CHIP	22 0.5% 1/10W
R1116	1-216-821-11	METAL CHIP	1K 5% 1/10W
R1117	1-216-841-11	METAL CHIP	47K 5% 1/10W
R1118	1-216-801-11	METAL CHIP	22 5% 1/10W
R1120	1-216-801-11	METAL CHIP	22 5% 1/10W
R1121	1-216-801-11	METAL CHIP	22 5% 1/10W
R1123	1-216-864-11	SHORT CHIP	0
R1124	1-216-841-11	METAL CHIP	47K 5% 1/10W
R1125	1-216-805-11	METAL CHIP	47 5% 1/10W
R1132	1-216-845-11	METAL CHIP	100K 5% 1/10W
R1133	1-216-864-11	SHORT CHIP	0
R1135	1-216-821-11	METAL CHIP	1K 5% 1/10W
R1136	1-216-835-11	METAL CHIP	15K 5% 1/10W
R1139	1-216-864-11	SHORT CHIP	0
R1140	1-216-821-11	METAL CHIP	1K 5% 1/10W
R1141	1-216-855-11	METAL CHIP	680K 5% 1/10W
R1142	1-216-845-11	METAL CHIP	100K 5% 1/10W
R1145	1-216-864-11	SHORT CHIP	0
R1146	1-216-805-11	METAL CHIP	47 5% 1/10W
R1147	1-216-864-11	SHORT CHIP	0
R1148	1-216-864-11	SHORT CHIP	0
R1151	1-216-833-11	METAL CHIP	10K 5% 1/10W
R1152	1-216-864-11	SHORT CHIP	0
R1153	1-216-864-11	SHORT CHIP	0
R1154	1-216-864-11	SHORT CHIP	0
R1155	1-216-864-11	SHORT CHIP	0
R1156	1-216-809-11	METAL CHIP	100 5% 1/10W
R1159	1-216-805-11	METAL CHIP	47 5% 1/10W
R1160	1-216-805-11	METAL CHIP	47 5% 1/10W
R1161	1-216-801-11	METAL CHIP	22 5% 1/10W
R1162	1-216-805-11	METAL CHIP	47 5% 1/10W
R1163	1-216-805-11	METAL CHIP	47 5% 1/10W
R1164	1-216-805-11	METAL CHIP	47 5% 1/10W
R1165	1-216-805-11	METAL CHIP	47 5% 1/10W
R1171	1-216-809-11	METAL CHIP	100 5% 1/10W
R1175	1-216-864-11	SHORT CHIP	0
R1176	1-216-833-11	METAL CHIP	10K 5% 1/10W
R1183	1-216-805-11	METAL CHIP	47 5% 1/10W
R1184	1-216-805-11	METAL CHIP	47 5% 1/10W
R1185	1-216-805-11	METAL CHIP	47 5% 1/10W
R1191	1-216-821-11	METAL CHIP	1K 5% 1/10W
R1193	1-216-821-11	METAL CHIP	1K 5% 1/10W
R1198	1-216-809-11	METAL CHIP	100 5% 1/10W
R1204	1-216-822-11	METAL CHIP	1.2K 5% 1/10W
R1205	1-216-833-11	METAL CHIP	10K 5% 1/10W
R1206	1-216-833-11	METAL CHIP	10K 5% 1/10W
R1207	1-216-826-11	METAL CHIP	2.7K 5% 1/10W

HCD-HDX275/HDX277WC/HDX279W/HDX475/HDX576WF/HDX675

MAIN

Ref. No.	Part No.	Description	Remark
R1208	1-216-839-11	METAL CHIP 33K 5%	1/10W
R1209	1-216-839-11	METAL CHIP 33K 5%	1/10W
R1210	1-216-841-11	METAL CHIP 47K 5%	1/10W
R1212	1-216-833-11	METAL CHIP 10K 5%	1/10W
R1213	1-218-867-11	METAL CHIP 6.8K 0.5%	1/10W
R1214	1-216-835-11	METAL CHIP 15K 5%	1/10W
R1215	1-216-834-11	METAL CHIP 12K 5%	1/10W
R1216	1-216-834-11	METAL CHIP 12K 5%	1/10W
R1219	1-216-838-11	METAL CHIP 27K 5%	1/10W
R1220	1-216-821-11	METAL CHIP 1K 5%	1/10W
R1221	1-218-889-11	METAL CHIP 56K 0.5%	1/10W
R1223	1-218-895-11	METAL CHIP 100K 0.5%	1/10W
R1224	1-216-833-11	METAL CHIP 10K 5%	1/10W
R1225	1-218-895-11	METAL CHIP 100K 0.5%	1/10W
R1226	1-218-889-11	METAL CHIP 56K 0.5%	1/10W
R1230	1-218-893-11	METAL CHIP 82K 0.5%	1/10W
R1231	1-218-875-11	METAL CHIP 15K 0.5%	1/10W
R1232	1-218-877-11	METAL CHIP 18K 0.5%	1/10W
R1233	1-218-883-11	METAL CHIP 33K 0.5%	1/10W
R1234	1-216-833-11	METAL CHIP 10K 5%	1/10W
R1246	1-216-829-11	METAL CHIP 4.7K 5%	1/10W
R1247	1-216-821-11	METAL CHIP 1K 5%	1/10W
R1254	1-216-829-11	METAL CHIP 4.7K 5%	1/10W
R1730	1-216-826-11	METAL CHIP 2.7K 5%	1/10W
R1742	1-216-841-11	METAL CHIP 47K 5%	1/10W
R1743	1-216-864-11	SHORT CHIP 0	
R1747	1-216-864-11	SHORT CHIP 0	
R1748	1-216-864-11	SHORT CHIP 0	
R1749	1-216-824-11	METAL CHIP 1.8K 5%	1/10W
R1750	1-216-824-11	METAL CHIP 1.8K 5%	1/10W
R1751	1-216-864-11	SHORT CHIP 0	
R1752	1-216-864-11	SHORT CHIP 0	
R1753	1-216-864-11	SHORT CHIP 0	
R1754	1-216-864-11	SHORT CHIP 0	
R1781	1-216-827-11	METAL CHIP 3.3K 5%	1/10W
R1782	1-216-827-11	METAL CHIP 3.3K 5%	1/10W
R1783	1-216-864-11	SHORT CHIP 0	
R1784	1-216-864-11	SHORT CHIP 0	
R1785	1-216-864-11	SHORT CHIP 0	
R1786	1-216-864-11	SHORT CHIP 0	
R2101	1-218-841-11	METAL CHIP 560 0.5%	1/10W
R2104	1-216-829-11	METAL CHIP 4.7K 5%	1/10W
R2110	1-216-826-11	METAL CHIP 2.7K 5%	1/10W
R2114	1-216-801-11	METAL CHIP 22 5%	1/10W
R2115	1-216-864-11	SHORT CHIP 0	
R2119	1-216-864-11	SHORT CHIP 0	
R2120	1-216-809-11	METAL CHIP 100 5%	1/10W
R2129	1-216-845-11	METAL CHIP 100K 5%	1/10W
R2130	1-216-809-11	METAL CHIP 100 5%	1/10W
R2131	1-216-809-11	METAL CHIP 100 5%	1/10W
R2133	1-216-864-11	SHORT CHIP 0	
R2134	1-216-864-11	SHORT CHIP 0	
R2136	1-216-805-11	METAL CHIP 47 5%	1/10W
R2150	1-216-827-11	METAL CHIP 3.3K 5%	1/10W
R2151	1-216-827-11	METAL CHIP 3.3K 5%	1/10W
R2152	1-216-827-11	METAL CHIP 3.3K 5%	1/10W
R2155	1-216-833-11	METAL CHIP 10K 5%	1/10W
R2156	1-216-833-11	METAL CHIP 10K 5%	1/10W
R2157	1-216-833-11	METAL CHIP 10K 5%	1/10W
R2158	1-216-833-11	METAL CHIP 10K 5%	1/10W

Ref. No.	Part No.	Description	Remark
R2159	1-216-833-11	METAL CHIP 10K 5%	1/10W
R2160	1-216-833-11	METAL CHIP 10K 5%	1/10W
R2161	1-216-864-11	SHORT CHIP 0	
R2162	1-216-864-11	SHORT CHIP 0	
R2167	1-216-864-11	SHORT CHIP 0	
R2168	1-216-815-11	METAL CHIP 330 5%	1/10W
R2176	1-216-864-11	SHORT CHIP 0	
R2177	1-216-864-11	SHORT CHIP 0	
R2178	1-216-821-11	METAL CHIP 1K 5%	1/10W
R2179	1-216-809-11	METAL CHIP 100 5%	1/10W
R2180	1-216-833-11	METAL CHIP 10K 5%	1/10W
R2182	1-216-864-11	SHORT CHIP 0	
R2184	1-216-809-11	METAL CHIP 100 5%	1/10W
R2185	1-216-809-11	METAL CHIP 100 5%	1/10W
R2188	1-216-864-11	SHORT CHIP 0	
R2201	1-216-864-11	SHORT CHIP 0	
R2203	1-216-864-11	SHORT CHIP 0	
R2746	1-216-864-11	SHORT CHIP 0	
R3001	1-216-833-11	METAL CHIP 10K 5%	1/10W
R3002	1-216-833-11	METAL CHIP 10K 5%	1/10W
R3003	1-216-823-11	METAL CHIP 1.5K 5%	1/10W
R3004	1-216-822-11	METAL CHIP 1.2K 5%	1/10W
R3006	1-216-825-11	METAL CHIP 2.2K 5%	1/10W
R3011	1-216-817-11	METAL CHIP 470 5%	1/10W
R3012	1-216-817-11	METAL CHIP 470 5%	1/10W
R3013	1-216-833-11	METAL CHIP 10K 5%	1/10W
R3014	1-216-801-11	METAL CHIP 22 5%	1/10W
R3015	1-216-809-11	METAL CHIP 100 5%	1/10W
R3017	1-216-809-11	METAL CHIP 100 5%	1/10W
R3021	1-216-817-11	METAL CHIP 470 5%	1/10W
R3022	1-216-817-11	METAL CHIP 470 5%	1/10W (HDX275/HDX277WC/HDX475/HDX675) (HDX275/HDX277WC/HDX475/HDX675)
R3023	1-216-801-11	METAL CHIP 22 5%	1/10W (HDX275/HDX277WC/HDX475/HDX675)
R3024	1-216-809-11	METAL CHIP 100 5%	1/10W (HDX275/HDX277WC/HDX475/HDX675)
R3026	1-216-809-11	METAL CHIP 100 5%	1/10W (HDX275/HDX277WC/HDX475/HDX675)
R3031	1-216-817-11	METAL CHIP 470 5%	1/10W
R3032	1-216-817-11	METAL CHIP 470 5%	1/10W
R3033	1-216-833-11	METAL CHIP 10K 5%	1/10W
R3034	1-216-801-11	METAL CHIP 22 5%	1/10W
R3035	1-216-809-11	METAL CHIP 100 5%	1/10W
R3037	1-216-809-11	METAL CHIP 100 5%	1/10W
R3040	1-216-864-11	SHORT CHIP 0	
R3041	1-216-864-11	SHORT CHIP 0	
R3042	1-216-864-11	SHORT CHIP 0	
R3043	1-216-864-11	SHORT CHIP 0	
R3044	1-216-864-11	SHORT CHIP 0	
R3045	1-216-864-11	SHORT CHIP 0	
R3046	1-216-864-11	SHORT CHIP 0	
R3047	1-216-833-11	METAL CHIP 10K 5%	1/10W
R3049	1-216-864-11	SHORT CHIP 0	
R3050	1-216-864-11	SHORT CHIP 0	
R3051	1-216-097-11	RES-CHIP 100K 5%	1/10W
R3052	1-216-857-11	METAL CHIP 1M 5%	1/10W
R3053	1-216-817-11	METAL CHIP 470 5%	1/10W
R3054	1-216-809-11	METAL CHIP 100 5%	1/10W
R3055	1-216-805-11	METAL CHIP 47 5%	1/10W
R3056	1-216-864-11	SHORT CHIP 0	(HDX279W/HDX576WF)

HCD-HDX275/HDX277WC/HDX279W/HDX475/HDX576WF/HDX675

MAIN

Ref. No.	Part No.	Description	Quantity	Percentage	Remark
R3057	1-216-805-11	METAL CHIP	47	5%	1/10W (HDX275/HDX277WC/HDX475/HDX675)
R3057	1-216-864-11	SHORT CHIP	0		(HDX279W/HDX576WF)
R3058	1-216-864-11	SHORT CHIP	0		
R3059	1-216-833-11	METAL CHIP	10K	5%	1/10W
R3060	1-216-833-11	METAL CHIP	10K	5%	1/10W
R3061	1-216-864-11	SHORT CHIP	0		
R3063	1-216-821-11	METAL CHIP	1K	5%	1/10W
R3064	1-216-821-11	METAL CHIP	1K	5%	1/10W
R3065	1-216-809-11	METAL CHIP	100	5%	1/10W
R3066	1-216-809-11	METAL CHIP	100	5%	1/10W
R3067	1-216-809-11	METAL CHIP	100	5%	1/10W
R3068	1-216-809-11	METAL CHIP	100	5%	1/10W
R3069	1-216-809-11	METAL CHIP	100	5%	1/10W
R3070	1-216-809-11	METAL CHIP	100	5%	1/10W
R3071	1-216-809-11	METAL CHIP	100	5%	1/10W
R3072	1-216-809-11	METAL CHIP	100	5%	1/10W
R3073	1-216-809-11	METAL CHIP	100	5%	1/10W
R3074	1-216-809-11	METAL CHIP	100	5%	1/10W
R3075	1-216-809-11	METAL CHIP	100	5%	1/10W
R3076	1-216-809-11	METAL CHIP	100	5%	1/10W
R3077	1-216-809-11	METAL CHIP	100	5%	1/10W
R3078	1-216-809-11	METAL CHIP	100	5%	1/10W
R3079	1-216-809-11	METAL CHIP	100	5%	1/10W
R3080	1-216-845-11	METAL CHIP	100K	5%	1/10W
R3085	1-216-839-11	METAL CHIP	33K	5%	1/10W
R3086	1-216-839-11	METAL CHIP	33K	5%	1/10W
R3087	1-216-833-11	METAL CHIP	10K	5%	1/10W
R3088	1-216-833-11	METAL CHIP	10K	5%	1/10W
R3089	1-216-833-11	METAL CHIP	10K	5%	1/10W
R3090	1-216-833-11	METAL CHIP	10K	5%	1/10W
R3091	1-216-837-11	METAL CHIP	22K	5%	1/10W
R3092	1-216-837-11	METAL CHIP	22K	5%	1/10W
R3093	1-216-837-11	METAL CHIP	22K	5%	1/10W
R3094	1-216-837-11	METAL CHIP	22K	5%	1/10W
R3095	1-216-827-11	METAL CHIP	3.3K	5%	1/10W
R3096	1-216-829-11	METAL CHIP	4.7K	5%	1/10W
R3097	1-216-809-11	METAL CHIP	100	5%	1/10W
R3098	1-216-839-11	METAL CHIP	33K	5%	1/10W
R3099	1-216-839-11	METAL CHIP	33K	5%	1/10W
R3101	1-216-809-11	METAL CHIP	100	5%	1/10W
R3102	1-216-809-11	METAL CHIP	100	5%	1/10W
R3103	1-216-864-11	SHORT CHIP	0		
R3104	1-216-864-11	SHORT CHIP	0		
R3107	1-216-835-11	METAL CHIP	15K	5%	1/10W
R3115	1-216-864-11	SHORT CHIP	0		
R3116	1-216-864-11	SHORT CHIP	0		
R3125	1-216-845-11	METAL CHIP	100K	5%	1/10W
R3126	1-216-845-11	METAL CHIP	100K	5%	1/10W
R3127	1-216-845-11	METAL CHIP	100K	5%	1/10W
R3151	1-216-809-11	METAL CHIP	100	5%	1/10W
R3152	1-216-809-11	METAL CHIP	100	5%	1/10W
R3153	1-216-864-11	SHORT CHIP	0		
R3154	1-216-864-11	SHORT CHIP	0		
R3157	1-216-835-11	METAL CHIP	15K	5%	1/10W
R3165	1-216-864-11	SHORT CHIP	0		
R3166	1-216-864-11	SHORT CHIP	0		
R3175	1-216-845-11	METAL CHIP	100K	5%	1/10W
R3176	1-216-845-11	METAL CHIP	100K	5%	1/10W
R3177	1-216-845-11	METAL CHIP	100K	5%	1/10W

Ref. No.	Part No.	Description	Quantity	Percentage	Remark
R3201	1-216-809-11	METAL CHIP	100	5%	1/10W (HDX275/HDX277WC/HDX475/HDX675)
R3202	1-216-809-11	METAL CHIP	100	5%	1/10W (HDX275/HDX277WC/HDX475/HDX675)
R3203	1-216-864-11	SHORT CHIP	0		(HDX275/HDX277WC/HDX475/HDX675)
R3204	1-216-864-11	SHORT CHIP	0		(HDX275/HDX277WC/HDX475/HDX675)
R3207	1-216-835-11	METAL CHIP	15K	5%	1/10W (HDX275/HDX277WC/HDX475/HDX675)
R3215	1-216-864-11	SHORT CHIP	0		(HDX275/HDX277WC/HDX475/HDX675)
R3216	1-216-864-11	SHORT CHIP	0		(HDX275/HDX277WC/HDX475/HDX675)
R3225	1-216-845-11	METAL CHIP	100K	5%	1/10W (HDX275/HDX277WC/HDX475/HDX675)
R3226	1-216-845-11	METAL CHIP	100K	5%	1/10W (HDX275/HDX277WC/HDX475/HDX675)
R3227	1-216-845-11	METAL CHIP	100K	5%	1/10W (HDX275/HDX277WC/HDX475/HDX675)
R3251	1-216-809-11	METAL CHIP	100	5%	1/10W (HDX275/HDX277WC/HDX475/HDX675)
R3252	1-216-809-11	METAL CHIP	100	5%	1/10W (HDX275/HDX277WC/HDX475/HDX675)
R3253	1-216-864-11	SHORT CHIP	0		(HDX275/HDX277WC/HDX475/HDX675)
R3254	1-216-864-11	SHORT CHIP	0		(HDX275/HDX277WC/HDX475/HDX675)
R3257	1-216-835-11	METAL CHIP	15K	5%	1/10W (HDX275/HDX277WC/HDX475/HDX675)
R3265	1-216-864-11	SHORT CHIP	0		(HDX275/HDX277WC/HDX475/HDX675)
R3266	1-216-864-11	SHORT CHIP	0		(HDX275/HDX277WC/HDX475/HDX675)
R3275	1-216-845-11	METAL CHIP	100K	5%	1/10W
R3276	1-216-845-11	METAL CHIP	100K	5%	1/10W
R3277	1-216-845-11	METAL CHIP	100K	5%	1/10W
R3301	1-216-809-11	METAL CHIP	100	5%	1/10W
R3302	1-216-809-11	METAL CHIP	100	5%	1/10W
R3303	1-216-864-11	SHORT CHIP	0		
R3304	1-216-864-11	SHORT CHIP	0		
R3307	1-216-835-11	METAL CHIP	15K	5%	1/10W
R3315	1-216-864-11	SHORT CHIP	0		
R3316	1-216-864-11	SHORT CHIP	0		
R3325	1-216-845-11	METAL CHIP	100K	5%	1/10W
R3326	1-216-845-11	METAL CHIP	100K	5%	1/10W
R3327	1-216-845-11	METAL CHIP	100K	5%	1/10W
R3401	1-216-809-11	METAL CHIP	100	5%	1/10W
R3402	1-216-809-11	METAL CHIP	100	5%	1/10W
R3403	1-216-864-11	SHORT CHIP	0		
R3404	1-216-864-11	SHORT CHIP	0		
R3407	1-216-835-11	METAL CHIP	15K	5%	1/10W
R3415	1-216-864-11	SHORT CHIP	0		
R3416	1-216-864-11	SHORT CHIP	0		
R3425	1-216-845-11	METAL CHIP	100K	5%	1/10W (HDX275/HDX277WC/HDX475/HDX675)
R3426	1-216-845-11	METAL CHIP	100K	5%	1/10W (HDX275/HDX277WC/HDX475/HDX675)
R3427	1-216-845-11	METAL CHIP	100K	5%	1/10W (HDX275/HDX277WC/HDX475/HDX675)
R3501	1-216-809-11	METAL CHIP	100	5%	1/10W
R3502	1-216-809-11	METAL CHIP	100	5%	1/10W
R3503	1-216-864-11	SHORT CHIP	0		

HCD-HDX275/HDX277WC/HDX279W/HDX475/HDX576WF/HDX675

MAIN **MOTOR** **POWER**

Ref. No.	Part No.	Description	Remark
R3504	1-216-864-11	SHORT CHIP	0
R3507	1-216-835-11	METAL CHIP	15K 5% 1/10W
R3515	1-216-864-11	SHORT CHIP	0
R3516	1-216-864-11	SHORT CHIP	0
R3551	1-216-845-11	METAL CHIP	100K 5% 1/10W
R3552	1-216-837-11	METAL CHIP	22K 5% 1/10W
R3553	1-216-833-11	METAL CHIP	10K 5% 1/10W
R3554	1-216-845-11	METAL CHIP	100K 5% 1/10W
R3555	1-216-864-11	SHORT CHIP	0
R3556	1-216-829-11	METAL CHIP	4.7K 5% 1/10W
R3558	1-216-833-11	METAL CHIP	10K 5% 1/10W
R3559	1-216-833-11	METAL CHIP	10K 5% 1/10W
R3560	1-216-864-11	SHORT CHIP	0
R3561	1-216-841-11	METAL CHIP	47K 5% 1/10W
R3562	1-216-833-11	METAL CHIP	10K 5% 1/10W
R3563	1-216-845-11	METAL CHIP	100K 5% 1/10W
R3901	1-216-296-11	SHORT CHIP	0
R3902	1-216-296-11	SHORT CHIP	0
R3905	1-216-296-11	SHORT CHIP	0
R3906	1-216-296-11	SHORT CHIP	0
R3907	1-216-864-11	SHORT CHIP	0
R3911	1-216-864-11	SHORT CHIP	0
R3912	1-216-864-11	SHORT CHIP	0
R3913	1-216-864-11	SHORT CHIP	0
R3914	1-216-864-11	SHORT CHIP	0
R3917	1-216-864-11	SHORT CHIP	0
R3918	1-216-864-11	SHORT CHIP	0
R3919	1-216-864-11	SHORT CHIP	0
R3920	1-216-864-11	SHORT CHIP	0
R3921	1-216-864-11	SHORT CHIP	0
R4501	1-216-801-11	METAL CHIP	22 5% 1/10W
R4502	1-216-801-11	METAL CHIP	22 5% 1/10W
R4510	1-216-805-11	METAL CHIP	47 5% 1/10W
R4511	1-216-803-11	METAL CHIP	33 5% 1/10W
R4512	1-216-805-11	METAL CHIP	47 5% 1/10W
R4513	1-216-805-11	METAL CHIP	47 5% 1/10W
R4514	1-216-805-11	METAL CHIP	47 5% 1/10W
R4515	1-216-805-11	METAL CHIP	47 5% 1/10W
R4516	1-216-805-11	METAL CHIP	47 5% 1/10W
R4518	1-216-864-11	SHORT CHIP	0
R4716	1-216-864-11	SHORT CHIP	0
R4717	1-216-864-11	SHORT CHIP	0
R4718	1-216-864-11	SHORT CHIP	0
R4719	1-216-864-11	SHORT CHIP	0
R4721	1-216-864-11	SHORT CHIP	0
R4805	1-216-801-11	METAL CHIP	22 5% 1/10W
R9918	1-216-821-11	METAL CHIP	1K 5% 1/10W
R9920	1-216-864-11	SHORT CHIP	0
R9922	1-216-833-11	METAL CHIP	10K 5% 1/10W
R9924	1-216-821-11	METAL CHIP	1K 5% 1/10W
R9928	1-216-837-11	METAL CHIP	22K 5% 1/10W
R9929	1-216-837-11	METAL CHIP	22K 5% 1/10W
R9934	1-216-833-11	METAL CHIP	10K 5% 1/10W
R9935	1-216-864-11	SHORT CHIP	0
R9941	1-216-838-11	METAL CHIP	27K 5% 1/10W
R9945	1-216-813-11	METAL CHIP	220 5% 1/10W
< COMPOSITION CIRCUIT BLOCK >			
RB1103	1-234-400-21	CONDUCTOR, NETWORK (1005X4)	
RB1104	1-234-400-21	CONDUCTOR, NETWORK (1005X4)	

Ref. No.	Part No.	Description	Remark
RB1105	1-234-944-21	RES, NETWORK 47 (1005X4)	
RB1106	1-234-944-21	RES, NETWORK 47 (1005X4)	
RB1107	1-234-944-21	RES, NETWORK 47 (1005X4)	
RB1108	1-234-944-21	RES, NETWORK 47 (1005X4)	
RB1109	1-234-400-21	CONDUCTOR, NETWORK (1005X4)	
RB1110	1-234-400-21	CONDUCTOR, NETWORK (1005X4)	
RB1111	1-234-400-21	CONDUCTOR, NETWORK (1005X4)	
RB1112	1-234-400-21	CONDUCTOR, NETWORK (1005X4)	
RB1113	1-234-400-21	CONDUCTOR, NETWORK (1005X4)	
RB1114	1-234-400-21	CONDUCTOR, NETWORK (1005X4)	
RB1115	1-234-400-21	CONDUCTOR, NETWORK (1005X4)	
< TERMINAL >			
TB3901	1-780-453-11	TERMINAL BOARD (SPEAKER) 2P (SPEAKER CENTER/SUB WOOFER)	
< VIBRATOR >			
X501	1-795-058-21	VIBRATOR, CERAMIC (5MHz)	
X701	1-795-692-11	QUARTZ CRYSTAL UNIT (12.288MHz)	
X1101	1-795-630-11	VIBRATOR, CRYSTAL (27MHz)	
X3051	1-795-660-21	QUARTZ CRYSTAL UNIT (49.1MHz)	

MOTOR BOARD			

< SWITCH >			
S761	1-786-704-11	SWITCH, LEVER (SUB TRAY OUT)	

A-1392-694-A		POWER BOARD, COMPLETE (HDX275: E3, AUS)	
A-1392-696-A		POWER BOARD, COMPLETE (HDX275: US/HDX277WC/HDX279W/HDX475/ HDX576WF/HDX675)	

7-685-646-79		SCREW +BVTP 3X8 TYPE2 IT-3	
7-685-647-79		SCREW +BVTP 3X10 TYPE2 IT-3	
< CAPACITOR >			
△ C901	1-165-529-11	MYLAR 0.22uF 10 275V	
△ C902	1-165-529-11	MYLAR 0.22uF 10 275V	
△ C903	1-112-330-11	ELECT (BLOCK) 1000uF 20% 200V (EXCEPT HDX275: E3, AUS)	
△ C903	1-112-333-11	ELECT (BLOCK) 330uF 20% 450V (HDX275: E3, AUS)	
△ C905	1-112-334-91	FILM 0.01uF 5% 400V (EXCEPT HDX275: E3, AUS)	
△ C905	1-112-335-91	FILM 0.0033uF 5% 400V (HDX275: E3, AUS)	
△ C906	1-117-815-11	FILM 1000PF 3% 1.5KV (HDX275: E3, AUS)	
△ C907	1-162-964-91	CERAMIC CHIP 0.001uF 10% 50V (HDX275: E3, AUS)	
△ C907	1-162-965-91	CERAMIC CHIP 0.0015uF 10% 50V (EXCEPT HDX275: E3, AUS)	
△ C908	1-104-962-91	ELECT 47uF 20% 35V	
△ C909	1-162-960-91	CERAMIC CHIP 220PF 10% 50V	
△ C910	1-107-906-91	ELECT 10uF 20% 50V (EXCEPT HDX275: E3, AUS)	
△ C910	1-107-907-91	ELECT 22uF 20% 50V (HDX275: E3, AUS)	
△ C911	1-162-968-91	CERAMIC CHIP 0.0047uF 10% 50V	
△ C912	1-104-660-91	ELECT 47uF 20% 16V	

Ref. No.	Part No.	Description	Remark	Ref. No.	Part No.	Description	Remark
△ C913	1-112-866-51	CERAMIC	100PF 10% 250V			< DIODE >	
△ C916	1-100-566-91	CERAMIC CHIP	0.1uF 10% 25V	△ D901	8-719-082-57	DIODE D5SBA60F01	
△ C918	1-112-887-51	CERAMIC	0.01uF 20% 250V	△ D902	8-719-063-74	DIODE D1NL20U-TR2	
△ C920	1-112-887-51	CERAMIC	0.01uF 20% 250V	△ D903	6-500-241-01	DIODE SARS03	
△ C921	1-117-220-81	CERAMIC	150PF 5% 2KV	△ D905	8-719-063-74	DIODE D1NL20U-TR2	
△ C922	1-162-964-91	CERAMIC CHIP	0.001uF 10% 50V	△ D906	6-501-817-01	DIODE MA2J1110GLS0	
△ C923	1-162-966-91	CERAMIC CHIP	0.0022uF 10% 50V	D907	6-501-817-01	DIODE MA2J1110GLS0	
△ C924	1-112-335-91	FILM	0.0033uF 5% 400V	△ D908	6-501-817-01	DIODE MA2J1110GLS0	
△ C925	1-107-974-81	CERAMIC	47PF 5% 2KV	△ D909	6-501-817-01	DIODE MA2J1110GLS0	
△ C926	1-128-560-91	ELECT	22uF 20% 100V	△ D910	6-501-817-01	DIODE MA2J1110GLS0	
C927	1-128-947-31	ELECT	3300uF 20% 10V	D911	8-719-510-12	DIODE D10SC4M	
C928	1-137-947-21	ELECT	2700uF 20% 16V	D912	8-719-510-41	DIODE D10SC9M	
C929	1-128-954-11	ELECT	1000uF 20% 25V	△ D913	6-500-241-01	DIODE SARS03	
△ C930	1-112-866-51	CERAMIC	100PF 10% 250V	△ D914	6-501-817-01	DIODE MA2J1110GLS0	
C932	1-100-924-21	ELECT	2200uF 20% 35V	D916	6-501-412-01	DIODE SF5S6	
C933	1-100-924-21	ELECT	2200uF 20% 35V	D921	6-502-234-01	DIODE EG01C LF-F7	
C934	1-112-831-11	ELECT	2200uF 20% 35V	△ D922	6-501-817-01	DIODE MA2J1110GLS0	
C935	1-163-021-91	CERAMIC CHIP	0.01uF 10% 50V	△ D923	6-501-817-01	DIODE MA2J1110GLS0	
C936	1-163-021-91	CERAMIC CHIP	0.01uF 10% 50V	△ D924	6-501-817-01	DIODE MA2J1110GLS0	
C937	1-100-756-91	CERAMIC CHIP	0.047uF 50V	D931	6-501-849-01	DIODE FMX-22SL	
△ C938	1-112-869-51	CERAMIC	470PF 10% 250V	D941	6-501-817-01	DIODE MA2J1110GLS0	
C939	1-136-165-00	FILM	0.1uF 5% 50V	D947	6-501-412-01	DIODE SF5S6	
C940	1-128-950-31	ELECT	1000uF 20% 16V	△ D948	6-501-817-01	DIODE MA2J1110GLS0	
C942	1-126-941-11	ELECT	470uF 20% 25V	△ D949	6-501-817-01	DIODE MA2J1110GLS0	
C943	1-126-934-11	ELECT	220uF 20% 16V	△ DZ901	6-501-782-01	DIODE MAZ8180GMLS0	
C945	1-126-935-11	ELECT	470uF 20% 16V	△ DZ902	6-502-231-01	DIODE MAZ8220GLLS0	
C948	1-126-925-91	ELECT	470uF 20% 10V	△ DZ903	6-501-768-01	DIODE MAZ8120GMLS0	
C950	1-107-826-11	CERAMIC CHIP	0.1uF 10% 16V	△ DZ904	6-501-734-01	DIODE MAZ8056GMLS0	
C951	1-100-566-91	CERAMIC CHIP	0.1uF 10% 25V	DZ915	6-501-760-01	DIODE MAZ8100GMLS0	
△ C963	1-112-869-51	CERAMIC	470PF 10% 250V (HDX275: E3, AUS)	DZ932	6-501-734-01	DIODE MAZ8056GMLS0	
△ C963	1-112-871-51	CERAMIC	0.0022uF 20% 250V (EXCEPT HDX275: E3, AUS)	DZ953	6-501-713-01	DIODE MAZ8033G0LS0	
△ C964	1-112-869-51	CERAMIC	470PF 10% 250V (HDX275: E3, AUS)	△ FH901	1-533-217-41	FUSE HOLDER	
△ C964	1-112-871-51	CERAMIC	0.0022uF 20% 250V (EXCEPT HDX275: E3, AUS)	△ FH902	1-533-217-41	FUSE HOLDER	
C969	1-100-566-91	CERAMIC CHIP	0.1uF 10% 25V			< FUSIBLE RESISTOR >	
C970	1-100-566-91	CERAMIC CHIP	0.1uF 10% 25V	△ FR929	1-246-373-11	FUSIBLE 1 10% 1/2W F	
C971	1-162-970-11	CERAMIC CHIP	0.01uF 10% 25V			< IC >	
C975	1-100-566-91	CERAMIC CHIP	0.1uF 10% 25V	△ IC901	6-707-741-01	IC STR-F6138-LF1352 (EXCEPT HDX275: E3, AUS)	
C976	1-126-933-11	ELECT	100uF 20% 16V	△ IC901	6-707-742-01	IC STR-F6168-LF1352 (HDX275: E3, AUS)	
△ C980	1-117-828-11	FILM	3300PF 3% 1.5KV (EXCEPT HDX275: E3, AUS)	△ IC921	6-711-790-01	IC MR4020-7103	
C983	1-104-760-11	CERAMIC CHIP	0.047uF 10% 50V	IC922	6-707-743-01	IC TA76L431S (TPE6, Q)	
C984	1-162-970-11	CERAMIC CHIP	0.01uF 10% 25V	IC931	8-759-648-34	IC TA76431AS (TPE6)	
C987	1-100-566-91	CERAMIC CHIP	0.1uF 10% 25V	IC941	6-712-613-01	IC SI-3010KM-TLS	
C990	1-100-566-91	CERAMIC CHIP	0.1uF 10% 25V			< COIL >	
C991	1-100-566-91	CERAMIC CHIP	0.1uF 10% 25V	L931	1-457-438-11	INDUCTOR 5.6uH	
C992	1-162-970-11	CERAMIC CHIP	0.01uF 10% 25V	L944	1-414-398-11	INDUCTOR 10uH	
C993	1-100-566-91	CERAMIC CHIP	0.1uF 10% 25V	L945	1-414-398-11	INDUCTOR 10uH	
C995	1-107-826-11	CERAMIC CHIP	0.1uF 10% 16V	L947	1-414-398-11	INDUCTOR 10uH	
C996	1-165-989-11	CERAMIC CHIP	10uF 10% 6.3V	L948	1-414-398-11	INDUCTOR 10uH	
C997	1-115-339-11	CERAMIC CHIP	0.1uF 10% 50V	L953	1-414-398-11	INDUCTOR 10uH	
		< CONNECTOR >		L954	1-457-578-11	INDUCTOR 10uH	
△ CN901	1-564-321-11	PIN, CONNECTOR (3.96mm PITCH) 2P		L956	1-457-578-11	INDUCTOR 10uH	
CN904	1-785-102-11	PIN, CONNECTOR (3.96mm PITCH) 4P					
* CN906	1-564-715-11	PIN, CONNECTOR (SMALL TYPE) 13P					
CN908	1-564-505-11	PLUG, CONNECTOR 2P					

HCD-HDX275/HDX277WC/HDX279W/HDX475/HDX576WF/HDX675

POWER

Ref. No.	Part No.	Description	Remark
		< LINE FILTER >	
△ LF901	1-457-054-21	COIL, LINE FILTER (HDX275: E3, AUS)	
△ LF901	1-457-449-11	COIL, LINE FILTER (EXCEPT HDX275: E3, AUS)	
△ LF902	1-457-054-21	COIL, LINE FILTER (HDX275: E3, AUS)	
△ LF902	1-457-449-11	COIL, LINE FILTER (EXCEPT HDX275: E3, AUS)	
		< PHOTO COUPLER >	
△ PC901	6-600-438-01	PHOTO COUPLER TLP421F (D4-GRJ)	
△ PC902	6-600-438-01	PHOTO COUPLER TLP421F (D4-GRJ)	
△ PC903	6-600-276-01	PHOTO COUPLER PS2561AL1-1-V-W	
△ PC904	6-600-276-01	PHOTO COUPLER PS2561AL1-1-V-W	
		< THERMISTOR >	
△ PS954	1-802-595-11	THERMISTOR, POSITIVE MF-R250	
△ PS956	1-802-596-11	THERMISTOR, POSITIVE MF-R300	
		< TRANSISTOR >	
△ Q901	8-729-231-15	TRANSISTOR 2SA1015TP-YGR	
△ Q921	8-729-620-07	TRANSISTOR 2SC3052EF-T1-LEF	
△ Q922	6-550-702-01	TRANSISTOR 2SC3243-TP-E	
Q930	8-729-620-07	TRANSISTOR 2SC3052EF-T1-LEF	
Q931	8-729-620-07	TRANSISTOR 2SC3052EF-T1-LEF	
Q932	8-729-038-28	TRANSISTOR RT1N441C-TP-1	
Q943	8-729-038-28	TRANSISTOR RT1N441C-TP-1	
Q945	6-550-718-01	FET RSR025N03TL	
Q947	8-729-038-28	TRANSISTOR RT1N441C-TP-1	
Q949	8-729-620-07	TRANSISTOR 2SC3052EF-T1-LEF	
Q950	8-729-038-28	TRANSISTOR RT1N441C-TP-1	
		< RESISTOR >	
△ R901	1-219-759-91	METAL 1M 5% 1/2W F (EXCEPT HDX275: E3, AUS)	
△ R901	1-240-938-91	METAL 1.5M 5% 0.5W F (HDX275: E3, AUS)	
△ R903	1-215-926-51	METAL OXIDE 33K 5% 3W F (EXCEPT HDX275: E3, AUS)	
△ R903	1-215-929-51	METAL OXIDE 100K 5% 3W F (HDX275: E3, AUS)	
△ R904	1-215-926-51	METAL OXIDE 33K 5% 3W F (EXCEPT HDX275: E3, AUS)	
△ R904	1-215-929-51	METAL OXIDE 100K 5% 3W F (HDX275: E3, AUS)	
△ R905	1-216-797-91	METAL CHIP 10 5% 1/10W	
△ R906	1-216-827-91	METAL CHIP 3.3K 5% 1/10W	
△ R907	1-216-833-91	METAL CHIP 10K 5% 1/10W	
△ R908	1-216-829-91	METAL CHIP 4.7K 5% 1/10W	
△ R909	1-216-845-91	METAL CHIP 100K 5% 1/10W	
△ R910	1-216-825-91	METAL CHIP 2.2K 5% 1/10W	
△ R911	1-216-813-91	METAL CHIP 220 5% 1/10W	
△ R912	1-216-361-61	METAL OXIDE 0.22 5% 2W F (EXCEPT HDX275: E3, AUS)	
△ R912	1-216-363-61	METAL OXIDE 0.33 5% 2W F (HDX275: E3, AUS)	
△ R913	1-216-361-61	METAL OXIDE 0.22 5% 2W F (EXCEPT HDX275: E3, AUS)	
△ R914	1-220-891-11	METAL 0.1 10% 5W F (HDX275: E3, AUS)	
△ R914	1-243-669-11	METAL 0.05 5% 5W F (EXCEPT HDX275: E3, AUS)	
△ R916	1-215-929-51	METAL OXIDE 100K 5% 3W F	
△ R917	1-216-829-91	METAL CHIP 4.7K 5% 1/10W	

Ref. No.	Part No.	Description	Remark
△ R919	1-216-837-91	METAL CHIP 22K 5% 1/10W	
R920	1-216-821-11	METAL CHIP 1K 5% 1/10W	
R921	1-216-833-11	METAL CHIP 10K 5% 1/10W	
△ R922	1-244-317-71	METAL 0.18 5% 2W F	
△ R923	1-218-879-91	METAL CHIP 22K 0.5% 1/10W	
△ R924	1-216-837-91	METAL CHIP 22K 5% 1/10W	
△ R925	1-216-797-91	METAL CHIP 10 5% 1/10W	
△ R926	1-218-895-91	METAL CHIP 100K 0.5% 1/10W	
△ R927	1-216-837-91	METAL CHIP 22K 5% 1/10W	
△ R928	1-216-845-91	METAL CHIP 100K 5% 1/10W	
△ R930	1-216-817-91	METAL CHIP 470 5% 1/10W	
R931	1-218-847-11	METAL CHIP 1K 0.5% 1/10W	
R932	1-218-879-11	METAL CHIP 22K 0.5% 1/10W	
R933	1-216-829-11	METAL CHIP 4.7K 5% 1/10W	
R934	1-216-821-11	METAL CHIP 1K 5% 1/10W	
R935	1-216-821-11	METAL CHIP 1K 5% 1/10W	
R936	1-216-853-11	METAL CHIP 470K 5% 1/10W	
R937	1-218-871-11	METAL CHIP 10K 0.5% 1/10W	
R938	1-218-847-11	METAL CHIP 1K 0.5% 1/10W	
R939	1-218-855-11	METAL CHIP 2.2K 0.5% 1/10W	
R940	1-218-871-11	METAL CHIP 10K 0.5% 1/10W	
R941	1-218-895-11	METAL CHIP 100K 0.5% 1/10W	
R942	1-218-871-11	METAL CHIP 10K 0.5% 1/10W	
R945	1-216-837-11	METAL CHIP 22K 5% 1/10W	
R946	1-216-827-11	METAL CHIP 3.3K 5% 1/10W	
R949	1-216-809-11	METAL CHIP 100 5% 1/10W	
R951	1-218-847-11	METAL CHIP 1K 0.5% 1/10W	
R952	1-216-821-11	METAL CHIP 1K 5% 1/10W	
R954	1-218-861-11	METAL CHIP 3.9K 0.5% 1/10W	
R955	1-216-821-11	METAL CHIP 1K 5% 1/10W	
R956	1-216-817-11	METAL CHIP 470 5% 1/10W	
R957	1-216-841-11	METAL CHIP 47K 5% 1/10W	
R958	1-216-821-11	METAL CHIP 1K 5% 1/10W	
R959	1-218-871-11	METAL CHIP 10K 0.5% 1/10W	
R960	1-216-817-11	METAL CHIP 470 5% 1/10W	
R963	1-218-839-11	METAL CHIP 470 0.5% 1/10W	
R965	1-218-863-11	METAL CHIP 4.7K 0.5% 1/10W	
R966	1-216-821-11	METAL CHIP 1K 5% 1/10W	
R967	1-216-821-11	METAL CHIP 1K 5% 1/10W	
R972	1-218-871-11	METAL CHIP 10K 0.5% 1/10W	
R974	1-216-827-11	METAL CHIP 3.3K 5% 1/10W	
△ R975	1-218-895-91	METAL CHIP 100K 0.5% 1/10W	
△ R976	1-218-903-91	METAL CHIP 220K 0.5% 1/10W	
△ R978	1-216-829-91	METAL CHIP 4.7K 5% 1/10W	
△ R992	1-216-793-91	METAL CHIP 4.7 5% 1/10W	
R993	1-216-833-11	METAL CHIP 10K 5% 1/10W	
R994	1-216-851-11	METAL CHIP 330K 5% 1/10W	
R995	1-216-845-11	METAL CHIP 100K 5% 1/10W	
R998	1-218-855-11	METAL CHIP 2.2K 0.5% 1/10W	
R999	1-218-871-11	METAL CHIP 10K 0.5% 1/10W	
		< TRANSFORMER >	
△ T901	1-443-649-11	TRANSFORMER, CONVERTER (EXCEPT HDX275: E3, AUS)	
△ T901	1-443-874-11	TRANSFORMER, CONVERTER (HDX275: E3, AUS)	
△ T903	1-445-320-11	TRANSFORMER, CONVERTER	
		< THERMISTOR >	
△ TH901	1-805-841-21	THERMISTOR, NTC (EXCEPT HDX275: E3, AUS)	

POWER PW-SW RELAY S-AIR CON S-AIR INC

Ref. No.	Part No.	Description	Remark
△ TH901	1-805-842-21	THERMISTOR, NTC (HDX275: E3, AUS)	
		< VARISTOR >	
△ VDR901	1-805-482-11	VARISTOR	

		PW-SW BOARD	

		< CAPACITOR >	
C175	1-162-927-11	CERAMIC CHIP 100PF 5% 50V	
		< SWITCH >	
S113	1-762-875-21	SWITCH, KEYBOARD (I/C)	

A-4750-232-A		RELAY BOARD, COMPLETE (Including ENCODER board)	

		< CAPACITOR >	
C701	1-126-786-11	ELECT 47uF 20% 16V	
C702	1-126-791-11	ELECT 10uF 20% 35V	
C761	1-162-306-11	CERAMIC 0.01uF 20% 16V	
C762	1-162-306-11	CERAMIC 0.01uF 20% 16V	
		< CONNECTOR >	
CN701	1-779-558-11	CONNECTOR, FFC (LIF (NON-ZIF)) 21P	
		< DIODE >	
D701	8-719-921-40	DIODE MTZJ-4.7C	
D711	8-719-982-10	DIODE MTZJ-4.3A	
		< IC >	
IC701	8-759-598-69	IC BA6956AN	
IC711	8-759-598-69	IC BA6956AN	
		< TRANSISTOR >	
Q751	8-729-119-78	TRANSISTOR 2SC2785-HFE	
		< RESISTOR >	
R701	1-249-415-11	CARBON 680 5% 1/4W	
R702	1-247-807-31	CARBON 100 5% 1/4W	
R711	1-249-415-11	CARBON 680 5% 1/4W	
R712	1-247-807-31	CARBON 100 5% 1/4W	
R751	1-247-806-11	CARBON 91 5% 1/4W	
R752	1-249-429-11	CARBON 10K 5% 1/4W	
R753	1-249-429-11	CARBON 10K 5% 1/4W	
R754	1-249-430-11	CARBON 12K 5% 1/4W	
R755	1-249-429-11	CARBON 10K 5% 1/4W	

A-1438-875-A		S-AIR CON BOARD, COMPLETE (HDX275/HDX475/HDX675)	

		< CONNECTOR >	
* CN110	1-564-720-11	PIN, CONNECTOR (SMALL TYPE) 4P	
* CN111	1-564-517-11	PLUG, CONNECTOR 2P	

Ref. No.	Part No.	Description	Remark
CN112	1-779-554-21	CONNECTOR, FFC (LIF (NON-ZIF)) 17P	
CN113	1-821-744-11	CONNECTOR, CARD EDGE 30P	
		< TRANSISTOR >	
Q120	8-729-038-28	TRANSISTOR RT1N441C-TP-1	
Q121	6-550-363-01	TRANSISTOR 2SB1690KT146	
		< RESISTOR >	
R193	1-216-817-11	METAL CHIP 470 5% 1/10W	
R194	1-216-817-11	METAL CHIP 470 5% 1/10W	
R195	1-216-841-11	METAL CHIP 47K 5% 1/10W	
R196	1-216-817-11	METAL CHIP 470 5% 1/10W	
R197	1-216-833-11	METAL CHIP 10K 5% 1/10W	
R198	1-216-833-11	METAL CHIP 10K 5% 1/10W	
R199	1-216-833-11	METAL CHIP 10K 5% 1/10W	
R200	1-216-833-11	METAL CHIP 10K 5% 1/10W	

A-1436-297-A		S-AIR INC BOARD, COMPLETE (HDX277WC/HDX279W/HDX576WF)	

		< CAPACITOR >	
C800	1-162-970-11	CERAMIC CHIP 0.01uF 10% 25V	
C801	1-107-826-11	CERAMIC CHIP 0.1uF 10% 16V	
C802	1-162-917-11	CERAMIC CHIP 15PF 5% 50V	
C803	1-126-926-11	ELECT 1000uF 20% 10V	
C804	1-107-826-11	CERAMIC CHIP 0.1uF 10% 16V	
C805	1-126-964-11	ELECT 10uF 20% 50V	
C806	1-162-970-11	CERAMIC CHIP 0.01uF 10% 25V	
C807	1-162-918-11	CERAMIC CHIP 18PF 5% 50V	
C808	1-162-970-11	CERAMIC CHIP 0.01uF 10% 25V	
C809	1-126-925-91	ELECT 470uF 20% 10V	
C814	1-162-927-11	CERAMIC CHIP 100PF 5% 50V	
C817	1-162-927-11	CERAMIC CHIP 100PF 5% 50V	
C818	1-107-826-11	CERAMIC CHIP 0.1uF 10% 16V	
C819	1-107-826-11	CERAMIC CHIP 0.1uF 10% 16V	
C820	1-107-826-11	CERAMIC CHIP 0.1uF 10% 16V	
C821	1-107-826-11	CERAMIC CHIP 0.1uF 10% 16V	
C822	1-107-826-11	CERAMIC CHIP 0.1uF 10% 16V	
C823	1-107-826-11	CERAMIC CHIP 0.1uF 10% 16V	
C824	1-107-826-11	CERAMIC CHIP 0.1uF 10% 16V	
C825	1-126-964-11	ELECT 10uF 20% 50V	
C826	1-126-964-11	ELECT 10uF 20% 50V	
C827	1-165-989-11	CERAMIC CHIP 10uF 10% 6.3V	
C828	1-165-989-11	CERAMIC CHIP 10uF 10% 6.3V	
C829	1-165-989-11	CERAMIC CHIP 10uF 10% 6.3V	
C830	1-107-826-11	CERAMIC CHIP 0.1uF 10% 16V	
C833	1-162-923-11	CERAMIC CHIP 47PF 5% 50V	
C834	1-162-923-11	CERAMIC CHIP 47PF 5% 50V	
C835	1-162-923-11	CERAMIC CHIP 47PF 5% 50V	
C836	1-162-923-11	CERAMIC CHIP 47PF 5% 50V	
C839	1-137-649-31	ELECT 220uF 20% 10V	
C840	1-165-908-11	CERAMIC CHIP 1uF 10% 10V	
C841	1-165-908-11	CERAMIC CHIP 1uF 10% 10V	
C843	1-164-315-11	CERAMIC CHIP 470PF 5% 50V	
C844	1-165-908-11	CERAMIC CHIP 1uF 10% 10V	
C845	1-165-908-11	CERAMIC CHIP 1uF 10% 10V	
C846	1-165-989-11	CERAMIC CHIP 10uF 10% 6.3V	
C882	1-162-927-11	CERAMIC CHIP 100PF 5% 50V	
C885	1-162-927-11	CERAMIC CHIP 100PF 5% 50V	

HCD-HDX275/HDX277WC/HDX279W/HDX475/HDX576WF/HDX675

S-AIR INC SENSOR SERIPARA

Ref. No.	Part No.	Description	Remark
C886	1-162-927-11	CERAMIC CHIP 100PF 5%	50V
C888	1-126-926-11	ELECT 1000uF 20%	10V
< CONNECTOR >			
CN800	1-820-116-41	CONNECTOR, FFC/FPC 17P	
CN803	1-821-747-11	CONNECTOR, CARD EDGE 20P (L)	
CN804	1-564-706-11	PIN, CONNECTOR (SMALL TYPE) 4P	
< DIODE >			
D800	6-501-579-01	DIODE MC2837	
< FERRITE BEAD >			
FB801	1-543-949-22	BEAD, FERRITE (CHIP) (1608)	
< IC >			
IC800	6-712-613-01	IC SI-3010KM-TLS	
IC801	6-711-418-01	IC TC74VHC157FK (EL, K)	
IC802	6-709-888-01	IC TC7WHU04FK (T5RSOYF)	
IC803	6-707-800-01	IC SRC4182	
IC804	6-707-800-01	IC SRC4182	
IC805	6-710-554-01	IC PCM1808PWR	
IC806	6-705-312-01	IC S-T111B33MC-OGSTFG	
< COIL >			
L800	1-469-525-91	INDUCTOR 10uH	
L801	1-469-525-91	INDUCTOR 10uH	
L802	1-469-525-91	INDUCTOR 10uH	
L803	1-469-525-91	INDUCTOR 10uH	
L805	1-414-398-11	INDUCTOR 10uH	
< RESISTOR >			
R800	1-216-797-11	METAL CHIP 10 5%	1/10W
R801	1-216-797-11	METAL CHIP 10 5%	1/10W
R805	1-216-864-11	SHORT CHIP 0	
R806	1-216-821-11	METAL CHIP 1K 5%	1/10W
R807	1-216-821-11	METAL CHIP 1K 5%	1/10W
R808	1-216-809-11	METAL CHIP 100 5%	1/10W
R809	1-216-809-11	METAL CHIP 100 5%	1/10W
R810	1-216-809-11	METAL CHIP 100 5%	1/10W
R811	1-216-809-11	METAL CHIP 100 5%	1/10W
R812	1-216-813-11	METAL CHIP 220 5%	1/10W
R813	1-216-827-11	METAL CHIP 3.3K 5%	1/10W
R814	1-216-845-11	METAL CHIP 100K 5%	1/10W
R815	1-216-845-11	METAL CHIP 100K 5%	1/10W
R817	1-218-851-11	METAL CHIP 1.5K 0.5%	1/10W
R818	1-218-879-11	METAL CHIP 22K 0.5%	1/10W
R819	1-218-871-11	METAL CHIP 10K 0.5%	1/10W
R821	1-216-809-11	METAL CHIP 100 5%	1/10W
R822	1-216-809-11	METAL CHIP 100 5%	1/10W
R824	1-216-809-11	METAL CHIP 100 5%	1/10W
R826	1-216-805-11	METAL CHIP 47 5%	1/10W
R827	1-216-805-11	METAL CHIP 47 5%	1/10W
R828	1-216-805-11	METAL CHIP 47 5%	1/10W
R829	1-216-809-11	METAL CHIP 100 5%	1/10W
R830	1-216-809-11	METAL CHIP 100 5%	1/10W
R831	1-216-809-11	METAL CHIP 100 5%	1/10W
R832	1-216-809-11	METAL CHIP 100 5%	1/10W
R834	1-216-809-11	METAL CHIP 100 5%	1/10W
R835	1-216-809-11	METAL CHIP 100 5%	1/10W
R836	1-216-809-11	METAL CHIP 100 5%	1/10W

Ref. No.	Part No.	Description	Remark
R837	1-216-813-11	METAL CHIP 220 5%	1/10W
R838	1-216-809-11	METAL CHIP 100 5%	1/10W
R839	1-216-809-11	METAL CHIP 100 5%	1/10W
R840	1-216-809-11	METAL CHIP 100 5%	1/10W
R841	1-216-809-11	METAL CHIP 100 5%	1/10W
R842	1-216-809-11	METAL CHIP 100 5%	1/10W
R843	1-216-809-11	METAL CHIP 100 5%	1/10W
R844	1-216-809-11	METAL CHIP 100 5%	1/10W
R845	1-216-864-11	SHORT CHIP 0	
R846	1-216-809-11	METAL CHIP 100 5%	1/10W
R847	1-216-809-11	METAL CHIP 100 5%	1/10W
R848	1-216-809-11	METAL CHIP 100 5%	1/10W
R849	1-216-864-11	SHORT CHIP 0	
R850	1-216-864-11	SHORT CHIP 0	
R851	1-216-864-11	SHORT CHIP 0	
R852	1-216-864-11	SHORT CHIP 0	
R855	1-216-809-11	METAL CHIP 100 5%	1/10W
R856	1-216-864-11	SHORT CHIP 0	
R858	1-216-809-11	METAL CHIP 100 5%	1/10W
R859	1-216-809-11	METAL CHIP 100 5%	1/10W
R860	1-216-813-11	METAL CHIP 220 5%	1/10W
R861	1-216-809-11	METAL CHIP 100 5%	1/10W
R862	1-216-809-11	METAL CHIP 100 5%	1/10W
R863	1-216-813-11	METAL CHIP 220 5%	1/10W
R864	1-216-813-11	METAL CHIP 220 5%	1/10W
R865	1-216-813-11	METAL CHIP 220 5%	1/10W
R872	1-216-833-11	METAL CHIP 10K 5%	1/10W
R873	1-216-833-11	METAL CHIP 10K 5%	1/10W
R874	1-216-809-11	METAL CHIP 100 5%	1/10W
R876	1-216-809-11	METAL CHIP 100 5%	1/10W
R877	1-216-833-11	METAL CHIP 10K 5%	1/10W
R878	1-216-833-11	METAL CHIP 10K 5%	1/10W
R879	1-216-833-11	METAL CHIP 10K 5%	1/10W
R880	1-216-797-11	METAL CHIP 10 5%	1/10W
R881	1-216-797-11	METAL CHIP 10 5%	1/10W
R889	1-216-864-11	SHORT CHIP 0	
R895	1-216-827-11	METAL CHIP 3.3K 5%	1/10W
R896	1-216-864-11	SHORT CHIP 0	
R898	1-216-864-11	SHORT CHIP 0	
R904	1-216-864-11	SHORT CHIP 0	
< VIBRATOR >			
X800	1-795-843-11	VIBRATOR, CRYSTAL (12.288MHZ)	

SENSOR BOARD			

< IC >			
IC751	8-759-989-76	IC RPR-359F	

A-1436-213-A	SERIPARA BOARD, COMPLETE		

< CAPACITOR >			
C650	1-124-584-00	ELECT 100uF 20%	6.3V
C651	1-126-933-11	ELECT 100uF 20%	16V
C652	1-107-826-11	CERAMIC CHIP 0.1uF 10%	16V
C653	1-107-826-11	CERAMIC CHIP 0.1uF 10%	16V
C654	1-162-964-11	CERAMIC CHIP 0.001uF 10%	50V

SERIPARA SPEAKER SW (1) SW (2)

Ref. No.	Part No.	Description	Remark
C655	1-107-826-11	CERAMIC CHIP 0.1uF 10%	16V
C656	1-107-826-11	CERAMIC CHIP 0.1uF 10%	16V
< CONNECTOR >			
CN650	1-764-865-41	CONNECTOR, BOARD TO BOARD 13P	
CN651	1-779-558-11	CONNECTOR, FFC (LIF (NON-ZIF)) 21P	
CN653	1-779-544-21	CONNECTOR, FFC (LIF (NON-ZIF)) 7P	
< IC >			
IC650	6-707-095-01	IC BH2210FV-E2	
IC651	6-707-095-01	IC BH2210FV-E2	
< RESISTOR >			
R652	1-216-813-11	METAL CHIP 220 5%	1/10W
R653	1-216-809-11	METAL CHIP 100 5%	1/10W
R654	1-216-813-11	METAL CHIP 220 5%	1/10W
R655	1-216-809-11	METAL CHIP 100 5%	1/10W
R656	1-216-813-11	METAL CHIP 220 5%	1/10W
R657	1-216-813-11	METAL CHIP 220 5%	1/10W
R658	1-216-833-11	METAL CHIP 10K 5%	1/10W
R659	1-216-809-11	METAL CHIP 100 5%	1/10W
R660	1-216-809-11	METAL CHIP 100 5%	1/10W
R661	1-216-809-11	METAL CHIP 100 5%	1/10W
R664	1-216-813-11	METAL CHIP 220 5%	1/10W
R665	1-216-809-11	METAL CHIP 100 5%	1/10W
R666	1-216-809-11	METAL CHIP 100 5%	1/10W
R667	1-216-809-11	METAL CHIP 100 5%	1/10W
R668	1-216-809-11	METAL CHIP 100 5%	1/10W
R670	1-216-809-11	METAL CHIP 100 5%	1/10W
R671	1-216-809-11	METAL CHIP 100 5%	1/10W
R672	1-216-809-11	METAL CHIP 100 5%	1/10W
R673	1-216-809-11	METAL CHIP 100 5%	1/10W
R674	1-216-809-11	METAL CHIP 100 5%	1/10W
R675	1-216-809-11	METAL CHIP 100 5%	1/10W
R676	1-216-809-11	METAL CHIP 100 5%	1/10W
R677	1-216-809-11	METAL CHIP 100 5%	1/10W
R678	1-216-809-11	METAL CHIP 100 5%	1/10W
R679	1-216-809-11	METAL CHIP 100 5%	1/10W
R680	1-216-809-11	METAL CHIP 100 5%	1/10W
R681	1-216-809-11	METAL CHIP 100 5%	1/10W
R682	1-216-809-11	METAL CHIP 100 5%	1/10W
R683	1-216-809-11	METAL CHIP 100 5%	1/10W
R684	1-216-809-11	METAL CHIP 100 5%	1/10W
R685	1-216-809-11	METAL CHIP 100 5%	1/10W
R686	1-216-809-11	METAL CHIP 100 5%	1/10W
R687	1-216-809-11	METAL CHIP 100 5%	1/10W
R688	1-216-809-11	METAL CHIP 100 5%	1/10W
R689	1-216-809-11	METAL CHIP 100 5%	1/10W
R690	1-216-809-11	METAL CHIP 100 5%	1/10W
R691	1-216-809-11	METAL CHIP 100 5%	1/10W
R692	1-216-809-11	METAL CHIP 100 5%	1/10W

SPEAKER BOARD

< CAPACITOR >

C178	1-163-021-91	CERAMIC CHIP 0.01uF 10%	50V (HDX275/HDX277WC/HDX475/HDX675)
C179	1-162-964-11	CERAMIC CHIP 0.001uF 10%	50V

Ref. No.	Part No.	Description	Remark
(HDX275/HDX277WC/HDX475/HDX675)R			
C180	1-163-021-91	CERAMIC CHIP 0.01uF 10%	50V
(HDX275/HDX277WC/HDX475/HDX675)			
C181	1-162-964-11	CERAMIC CHIP 0.001uF 10%	50V
(HDX275/HDX277WC/HDX475/HDX675)			
C182	1-163-021-91	CERAMIC CHIP 0.01uF 10%	50V
C183	1-162-964-11	CERAMIC CHIP 0.001uF 10%	50V
C184	1-163-021-91	CERAMIC CHIP 0.01uF 10%	50V
C185	1-162-964-11	CERAMIC CHIP 0.001uF 10%	50V
C186	1-163-021-91	CERAMIC CHIP 0.01uF 10%	50V
C187	1-162-964-11	CERAMIC CHIP 0.001uF 10%	50V
C188	1-163-021-91	CERAMIC CHIP 0.01uF 10%	50V
C189	1-162-964-11	CERAMIC CHIP 0.001uF 10%	50V
C190	1-163-021-91	CERAMIC CHIP 0.01uF 10%	50V
(HDX275/HDX277WC/HDX475/HDX675)			
C191	1-162-964-11	CERAMIC CHIP 0.001uF 10%	50V
(HDX275/HDX277WC/HDX475/HDX675)			
C192	1-163-021-91	CERAMIC CHIP 0.01uF 10%	50V
(HDX275/HDX277WC/HDX475/HDX675)			
C193	1-162-964-11	CERAMIC CHIP 0.001uF 10%	50V
(HDX275/HDX277WC/HDX475/HDX675)			
< CONNECTOR >			
* CN114	1-564-523-11	PLUG, CONNECTOR 8P	
(HDX275/HDX277WC/HDX475/HDX675)			
* CN115	1-564-519-11	PLUG, CONNECTOR 4P	(HDX279W/HDX576WF)
< TERMINAL >			
TB100	1-780-454-11	TERMINAL BOARD (SPEAKER) 4P	
(SPEAKER FRONT R/L SUR R/L)			
(HDX275/HDX277WC/HDX475/HDX675)			
TB101	1-780-576-11	TAMINAL BOARD (SPEAKER) 2P	
(SPEAKER FRONT R/L) (HDX279W/HDX576WF)			

SW (1) BOARD

< SWITCH >

S721 1-786-084-11 SWITCH, DETECTION (MAIN TRAY IN/OUT)

SW (2) BOARD

< SWITCH >

S731 1-786-382-11 SWITCH, PUSH (1 KEY) (SUB TRAY IN)

HCD-HDX275/HDX277WC/HDX279W/HDX475/HDX576WF/HDX675

Ref. No.	Part No.	Description	Remark
		MISCELLANEOUS *****	
6	1-828-290-11	WIRE (FLAT TYPE) (5 CORE)	
7	1-828-310-11	WIRE (FLAT TYPE) (9 CORE)	
8	1-828-301-11	WIRE (FLAT TYPE) (7 CORE)	
9	1-828-347-11	WIRE (FLAT TYPE) (17 CORE)	
11	1-693-761-11	TUNER (FM/AM) (E3, AUS)	
11	1-693-762-11	TUNER (FM/AM) (US, CND)	
12	1-828-955-11	WIRE (FLAT TYPE) (9 CORE)	
14	1-828-352-11	WIRE (FLAT TYPE) (17 CORE) (HDX277WC/HDX279W/HDX576WF)	
△ 17	1-834-966-21	CORD, POWER (E3)	
△ 17	1-834-967-21	CORD, POWER (AUS)	
△ 17	1-834-978-11	CORD, POWER (US, CND)	
21	1-828-350-11	WIRE (FLAT TYPE) (17 CORE) (HDX275/HDX475/HDX675)	
62	1-828-306-11	WIRE (FLAT TYPE) (9 CORE)	
63	1-828-374-11	WIRE (FLAT TYPE) (21 CORE)	
101	1-828-369-11	WIRE (FLAT TYPE) (21 CORE)	
△ 302	8-820-291-02	OPTICAL PICK-UP BLOCK (KHM-310CAB/C2RP) (including sled motor, spindle motor)	
△ 302	8-820-322-04	OPTICAL PICK-UP BLOCK (KHM-313CAB/C2RP) (including sled motor, spindle motor)	
306	1-828-774-51	WIRE (FLAT TYPE) (24 CORE)	
△ F901	1-533-311-12	FUSE, GLASS CYLINDRICAL (DIA.5) (8A/125V) (HDX275: US/HDX277WC/HDX279W/HDX475/ HDX576WF/HDX675)	
△ F901	1-576-233-51	FUSE (H.B.C.) (T6.3AH/125V) (HDX275: E3, AUS)	
M3000	1-787-396-11	D.C. FAN (50 SQUARE)	
M761	A-4713-174-A	MOTOR (81) ASSY (LOADING/STOCKER)	
M762	A-4713-174-A	MOTOR (81) ASSY (BU UP/DOWN)	
S771	1-478-552-11	ENCODER, ROTARY (MD)	
S781	1-478-551-11	ENCODER, ROTARY (STOCKER UP/DOWN)	

Note 1: If wire (flat type) is replaced, install it after bending it in the same form as that before replacement.

Note 2: Refer to the Servicing Notes "HOW TO IDENTIFY OPTICAL PICK-UP BLOCK" (page 7), if replacing the Ref. No. 302.

MEMO

QQ 376315150

892498299

TEL 13942296513 QQ 376315150 892498299

TEL 13942296513 QQ 376315150 892498299

"无奇不有" 电路图网
www.xiaoyu163.com

"无奇不有" 电路图网
www.xiaoyu163.com

"无奇不有" 电路图网
www.xiaoyu163.com

TEL 13942296513
"无奇不有" 电路图网
www.xiaoyu163.com

QQ 376315150
"无奇不有" 电路图网
www.xiaoyu163.com

892498299
"无奇不有" 电路图网
www.xiaoyu163.com

"无奇不有" 电路图网
www.xiaoyu163.com

"无奇不有" 电路图网
www.xiaoyu163.com

"无奇不有" 电路图网
www.xiaoyu163.com

www.xiaoyu163.com

