



PROPRIETARY NOTE

THIS SPECIFICATION IS THE PROPERTY OF HYDIS AND SHALL NOT BE REPRODUCED OR COPIED WITHOUT THE WRITTEN PERMISSION OF HYDIS AND MUST BE RETURNED TO HYDIS UPON ITS REQUEST

TITLE : HV121WX4-120

Product Specification for Customer

Rev. A

HYDIS Technologies

SPEC. NUMBER

PRODUCT GROUP
TFT-LCD PRODUCTS

REV.
A

ISSUE DATE

PAGE
1 OF 30



PRODUCT GROUP

REV

ISSUE DATE

TFT-LCD PRODUCT

A

Contents

| No | Item | Page |
|------|---|------|
| 1.0 | General Description .. | 4 |
| 2.0 | Absolute Maximum ratings..... | 6 |
| 3.0 | Electrical specifications | 7 |
| 4.0 | Optical specifications | 8 |
| 5.0 | Interface Connection | 10 |
| 6.0 | Signal Timing Specification | 12 |
| 7.0 | Signal Timing waveforms of interface signal (DE mode) | 14 |
| 8.0 | Input Signals, Display Colors & Gray Scale of Colors | 15 |
| 9.0 | Power Sequence | 16 |
| 10.0 | Mechanical Characteristics | 17 |
| 11.0 | Reliability Test | 18 |
| 12.0 | Handling & Cautions | 19 |
| 13.0 | Packing | 20 |
| 14.0 | Environment & Safety..... | 21 |
| 15.0 | Appendix | 23 |

SPEC. NUMBER

SPEC. TITLE

HV121WX4-120 Product Specification for Customer

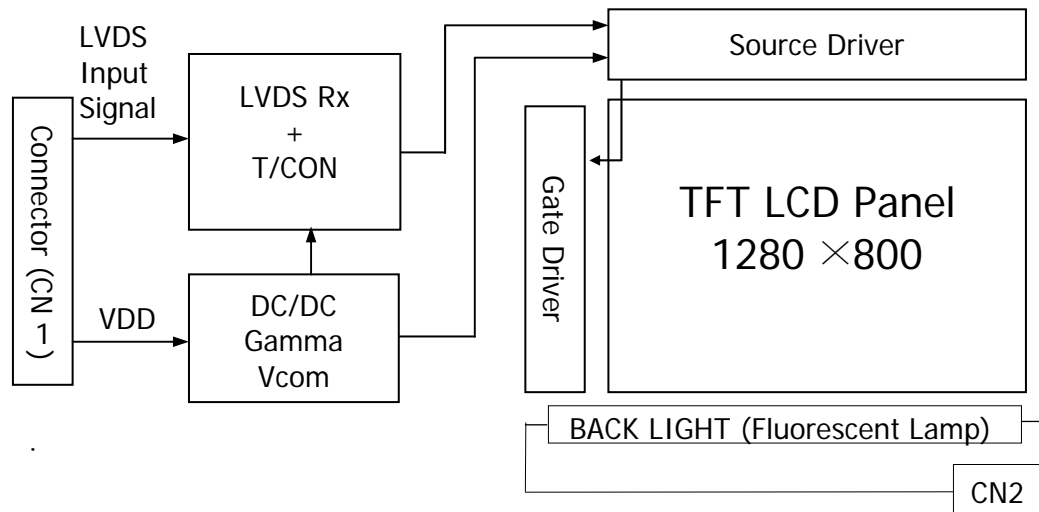
PAGE

3 OF 26

1.0 GENERAL DESCRIPTION

1.1 Introduction

HV121WX4-120 is a color active matrix TFT LCD module using amorphous silicon TFT's (Thin Film Transistors) as an active switching devices. This module has a 12.1 inch diagonally measured active area with WXGA resolutions (1280 horizontal by 800 vertical pixel array). Each pixel is divided into RED, GREEN, BLUE dots which are arranged in vertical stripe and this module can display 262,144 colors. The TFT-LCD panel used for this module is a low reflection and higher color type.



1.2 Features

- Thin and light weight
- 3.3 V power supply
- Low driving voltage and low power consumption
- 1 Channel LVDS Interface
- Single CCFL (Bottom side/Horizontal Direction)
- 262,144 colors
- Data enable signal mode
- Side Mounting Frame
- On Board EDID chip
- RoHS Product
- VESA V2 Compatible except for thickness
- **AG150T polarizer product**



PRODUCT GROUP

REV

ISSUE DATE

TFT-LCD PRODUCT

A

1.3 Application

- Tablet PC

1.4 General Specifications

<Table 1. General Specifications>

| Parameter | Specification | Unit | Remarks |
|---------------------|---|-------------------|------------|
| Active area | 261.12 (H) × 163.20 (V) | mm | |
| Number of pixels | 1280 (H) × 800 (V) | pixels | |
| Pixel pitch | 0.204 (H) × 0.204 (V) | mm | |
| Pixel arrangement | RGB Vertical stripe | | |
| Display colors | 262,144 | colors | |
| Display mode | Normally Black | | |
| Dimensional outline | 275.8±0.5(W) × 178.0±0.5(V) × 6.4 Typ D (6.7 Max) | mm | |
| Luminance of White | 200 (Typ.) | Cd/m ² | at 5points |
| Weight | 290 (Typ.) / 300 (Max.) | g | |
| EBL | 3.0 (Typ.) | W | At 60nit |
| Back-light | CCFL, Horizontal-lamp type | | Note 1 |

Note 1: CCFL (Cold Cathode Fluorescent Lamp)

SPEC. NUMBER

SPEC. TITLE
HV121WX4-120 Product Specification for Customer

PAGE

5 OF 26

2.0 ABSOLUTE MAXIMUM RATINGS

The followings are maximum values which, if exceed, may cause faulty operation or damage to the unit.

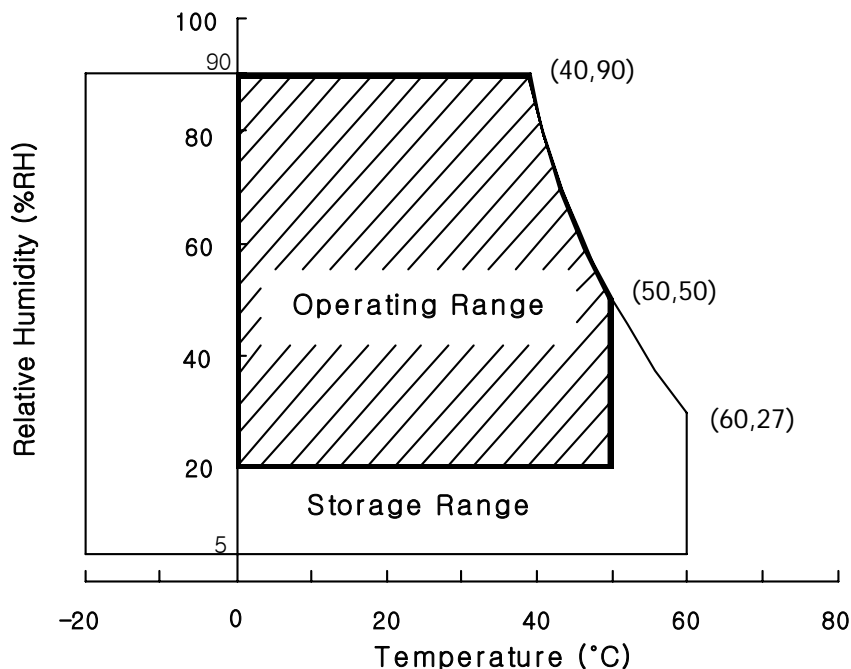
< Table 2. Absolute Maximum Ratings >

| Parameter | Symbol | Min. | Max. | Unit | Remarks |
|-------------------------|----------|---------|--------------|------|----------------|
| Logic Power Supply | V_{DD} | VSS-0.3 | 4.0 | V | Ta = 25 ± 2 °C |
| Logic Input Voltage | V_{IN} | VSS-0.3 | $V_{DD}+0.3$ | V | |
| Back-light Lamp Current | IBL | 2.0 | 7.0 | mA | |
| Back-light Frequency | FBL | 45 | 80 | KHz | |
| Operating Temperature | T_{OP} | 0 | +50 | °C | Note 1 |
| Storage Temperature | T_{SP} | -20 | +60 | °C | |

Note 1. Temperature and relative humidity range are shown in the figure below.

* 90 [%] RH Max. ($40^{\circ}\text{C} \geq T_a$)

* Maximum wet-bulb temperature at 39 °C or less. ($T_a > 40^{\circ}\text{C}$) No condensation





PRODUCT GROUP

REV

ISSUE DATE

TFT-LCD PRODUCT

A

3.0 ELECTRICAL SPECIFICATIONS

3.1 Electrical Specifications

< Table 3. Electrical specifications >

[Ta = 25±2°C]

| Parameter | | Min. | Typ. | Max. | Unit | Remarks |
|--|--------------------|--------|--------|------|------------------|------------------------------|
| Power Supply Voltage | V _{DD} | 3.0 | 3.3 | 3.6 | V | Note1 |
| Power Supply Current | I _{DD} | | 330 | | mA | Note1 |
| CCFL Ignition Time | t | | | 1 | sec | |
| High Level Differential Input Signal Voltage | V _{IH} | | - | +100 | mV | |
| Low Level Differential Input Signal Voltage | V _{IL} | -100 | - | | mV | |
| Back-light Lamp Voltage | V _{BL} | 760 | 580 | 540 | V _{rms} | Note2 |
| Back-light Lamp Current | I _{BL} | 2.0 | 6.0 | 7.0 | mA | |
| Back-light Lamp operating Frequency | F _L | 45 | | 80 | KHz | One Lamp, Note3 |
| Lamp Start Voltage | | 1,120 | | | V _{rms} | At Ta=25°C, Note4 |
| | | 1,350 | | | V _{rms} | At Ta=0°C, Note4 |
| Lamp Life | | 10,000 | 15,000 | | Hrs | I _{BL} = 7mA, Note5 |
| Extended Battery Life | P _D | | 1.0 | | W | At Mosaic pattern |
| | P _{BL} | | 2.0 | | W | At 60nit |
| | P _{total} | | 3.0 | | W | |
| Power Consumption | P _D | | 1.1 | | W | Note1 |
| | P _{BL} | | 3.5 | 3.85 | W | I _{BL} = 6mA, Note6 |
| | P _{total} | | 4.6 | | W | |

- Notes :
- The supply voltage is measured and specified at the interface connector of LCM.
The current draw and power consumption specified is for 3.3V at 25°C.
a) Typ: Windows XP desktop Pattern b) Max: V2 Skip Pattern
 - Reference value, which is measured with Samsung Electric SIC-180 Inverter.
(VBL Min is value at IBL Min and VBL Max is value at IBL Max)
 - The lamp frequency should be selected as different as possible from the horizontal synchronous frequency and its harmonics to avoid interference which may cause line flow on the display.
 - For starting the backlight unit, the output voltage of DC/AC's transformer should be larger than the minimum lamp starting voltage.(1,120 Vrms at 25 °C & 1,350 Vrms at 0 °C)
If an inverter has shutdown function it should keep its output for more than 1 second even if the lamp connector open. Otherwise the lamps may not to be turned on.
 - End of Life shall be determined by the time when any of the following is satisfied under continuous lighting at 25°C and IBL = 7.0[mA].
 - Intensity drops to 50% of the Initial Value.
 - Calculated value for reference (VBL × IBL)

SPEC. NUMBER

SPEC. TITLE

HV121WX4-120 Product Specification for Customer

PAGE

7 OF 26



PRODUCT GROUP

REV

ISSUE DATE

TFT-LCD PRODUCT

A

4.0 OPTICAL SPECIFICATION

4.1 Overview

The test of Optical specifications shall be measured in a dark room (ambient luminance ≤ 1 lux and temperature = $25 \pm 2^\circ\text{C}$) with the equipment of Luminance meter system (Goniometer system and TOPCONE BM-5) and test unit shall be located at an approximate distance 50cm from the LCD surface at a viewing angle of Θ and Φ equal to 0° . We refer to $\Theta_{\theta=0}$ ($= \Theta_3$) as the 3 o'clock direction (the "right"), $\Theta_{\theta=90}$ ($= \Theta_{12}$) as the 12 o'clock direction ("upward"), $\Theta_{\theta=180}$ ($= \Theta_9$) as the 9 o'clock direction ("left") and $\Theta_{\theta=270}$ ($= \Theta_6$) as the 6 o'clock direction ("bottom"). While scanning Θ and/or Φ , the center of the measuring spot on the Display surface shall stay fixed. The backlight should be operating for 30 minutes prior to measurement... VDD shall be $3.3 \pm 0.3\text{V}$ at 25°C . Optimum viewing angle direction is 6 o'clock.

4.2 Optical Specifications

<Table 4. Optical Specifications>

| Parameter | | Symbol | Condition | Min. | Typ. | Max. | Unit | Remark |
|----------------------------|------------|---------------|--|-------|-------|-------|-------------------|--------|
| Viewing Angle range | Horizontal | Θ_3 | CR > 10 | | 89 | 90 | Deg. | Note 1 |
| | | Θ_9 | | | 89 | 90 | Deg. | |
| | Vertical | Θ_{12} | | | 89 | 90 | Deg. | |
| | | Θ_6 | | | 89 | 90 | Deg. | |
| Luminance Contrast ratio | | CR | $\Theta = 0^\circ$ | 400 | 500 | | | Note 2 |
| Luminance of White | 5 Points | Y_w | $\Theta = 0^\circ$ IBL = 6mA | 170 | 200 | | cd/m ² | |
| White Luminance uniformity | 5 Points | $\Delta Y5$ | | 80 | 85 | | % | Note 3 |
| | 13 Points | $\Delta Y13$ | | 65 | 75 | | | |
| White Chromaticity | | x_w | $\Theta = 0^\circ$ | 0.273 | 0.303 | 0.333 | | Note 4 |
| | | y_w | | 0.298 | 0.328 | 0.358 | | |
| Reproduction Of color | Red | x_R | $\Theta = 0^\circ$ | 0.554 | 0.584 | 0.614 | | |
| | | y_R | | 0.310 | 0.340 | 0.370 | | |
| | Green | x_G | | 0.272 | 0.302 | 0.332 | | |
| | | y_G | | 0.523 | 0.553 | 0.583 | | |
| | Blue | x_B | | 0.116 | 0.146 | 0.176 | | |
| | | y_B | | 0.111 | 0.141 | 0.171 | | |
| Response Time | Rise | T_r | Ta= 25°C $\Theta = 0^\circ$ | | 28 | | ms | Note 5 |
| | Decay | T_d | | | | | | |
| Cross Talk | | CT | $\Theta = 0^\circ$ | | | 2.0 | % | Note 6 |

SPEC. NUMBER

SPEC. TITLE

HV121WX4-120 Product Specification for Customer

PAGE

8 OF 26



HYDIS

PRODUCT GROUP

REV

ISSUE DATE

TFT-LCD PRODUCT

A

Note :

1. Viewing angle is the angle at which the contrast ratio is greater than 10. The viewing are determined for the horizontal or 3, 9 o'clock direction and the vertical or 6, 12 o'clock direction with respect to the optical axis which is normal to the LCD surface (see FIGURE 1 shown in Appendix).
2. Contrast measurements shall be made at viewing angle of $\Theta = 0^\circ$ and at the center of the LCD surface. Luminance shall be measured with all pixels in the view field set first to white, then to the dark (black) state. (See FIGURE 1 shown in Appendix) Luminance Contrast Ratio (CR) is defined mathematically.

$$CR = \frac{\text{Luminance when displaying a white raster}}{\text{Luminance when displaying a black raster}}$$

3. The White luminance uniformity on LCD surface is then expressed. (See FIGURE 2 shown in Appendix).

$$\text{Uniformity } \Delta Y = \frac{\text{Minimum Luminance of 5(or 13) points}}{\text{Maximum Luminance of 5(or 13) points}} \times 100 (\%)$$

4. The color chromaticity coordinates specified in Table 4 shall be calculated from the spectral data measured with all pixels first in red, green, blue and white. Measurements shall be made at the center of the panel.
5. The electro-optical response time measurements shall be made as FIGURE 3 shown in Appendix by switching the "data" input signal OFF and ON. The times needed for the luminance to change from 10% to 90% is Tr, and 90% to 10% is Td.
6. Cross-Talk of one area of the LCD surface by another shall be measured by comparing the luminance (YA) of a 25mm diameter area, with all display pixels set to a gray level, to the luminance (YB) of that same area when any adjacent area is driven dark. (See FIGURE 4 shown in Appendix).

SPEC. NUMBER

SPEC. TITLE

HV121WX4-120 Product Specification for Customer

PAGE

9 OF 26

5.0 INTERFACE CONNECTION.

5.1 Electrical Interface Connection

<Table 5. Pin Assignments for the Interface Connector>

| | | |
|-----|---------------------|------------------------------------|
| CN1 | Interface connector | Hirose/DF19KR-20P-1H or equivalent |
| | User side connector | Hirose/DF19G-20S-1C or equivalent |

| Pin No | Symbol | Function | Remark |
|--------|----------|--------------------------------|-------------|
| 1 | VSS | Ground | |
| 2 | VDD1 | Power Supply: +3.3V | |
| 3 | VDD2 | Power Supply: +3.3V | |
| 4 | Vdd_EDID | EDID +3.3V | |
| 5 | NC | Reserved | |
| 6 | Clk_EDID | EDID Clk | |
| 7 | Clk_Data | EDID Data | |
| 8 | RIN0- | LVDS Negative data signal (-) | Tx pin # 48 |
| 9 | RIN0+ | LVDS Positive data signal (+) | Tx pin # 47 |
| 10 | VSS | Ground | |
| 11 | RIN1- | LVDS Negative data signal (-) | Tx pin # 46 |
| 12 | RIN1+ | LVDS Positive data signal (+) | Tx pin # 45 |
| 13 | VSS | Ground | |
| 14 | RIN2- | LVDS Negative data signal (-) | Tx pin # 42 |
| 15 | RIN2+ | LVDS Positive data signal (+) | Tx pin # 41 |
| 16 | VSS | Ground | |
| 17 | RCLKIN- | LVDS Negative clock signal (-) | Tx pin # 40 |
| 18 | RCLKIN+ | LVDS Positive clock signal (+) | Tx pin # 39 |
| 19 | VSS | Ground | |
| 20 | VSS | Ground | |



PRODUCT GROUP

REV

ISSUE DATE

TFT-LCD PRODUCT

A

5.2. Back-light Interface

| | | |
|-----|---------------------|------------------------------------|
| CN2 | Interface Connector | •: BHSR-02VS-1 (JST) or equivalent |
|-----|---------------------|------------------------------------|

| Pin No | INPUT | Function | Remarks |
|--------|-------|--------------|---------|
| 1 | HOT | High voltage | Pink |
| 2 | COLD | Ground | Black |

5.3. LVDS Interface

LVDS Transmitter: THC63LVDM83A or equivalent.

| Input signal | Transmitter | | Interface | | DF19KR-20P-1H | Remark |
|--------------|-------------|----------|----------------|--------------|---------------|--------|
| | Pin No | Pin No | System (Tx) | TFT-LCD (Rx) | Pin No. | |
| R0 | 51 | 48 47 | OUT0- OUT0+ | IN0- IN0+ | 5 6 | |
| R1 | 52 | | | | | |
| R2 | 54 | | | | | |
| R3 | 55 | | | | | |
| R4 | 56 | | | | | |
| R5 | 3 | | | | | |
| G0 | 4 | 46 45 | OUT1- OUT1+ | IN1- IN1+ | 8 9 | |
| G1 | 6 | | | | | |
| G2 | 7 | | | | | |
| G3 | 11 | | | | | |
| G4 | 12 | | | | | |
| G5 | 14 | | | | | |
| B0 | 15 | 42 41 | OUT2- OUT2+ | IN2- IN2+ | 11 12 | |
| B1 | 19 | | | | | |
| B2 | 20 | | | | | |
| B3 | 22 | | | | | |
| B4 | 23 | | | | | |
| B5 | 24 | | | | | |
| HSYNC | 27 | 40 | CLKOUT- | CLKIN- | 14 | |
| VSYNC | 28 | | | | | |
| DE | 30 | | | | | |
| MCLK | 31 | 39 | CLKOUT+ | CLKIN+ | 15 | |

SPEC. NUMBER

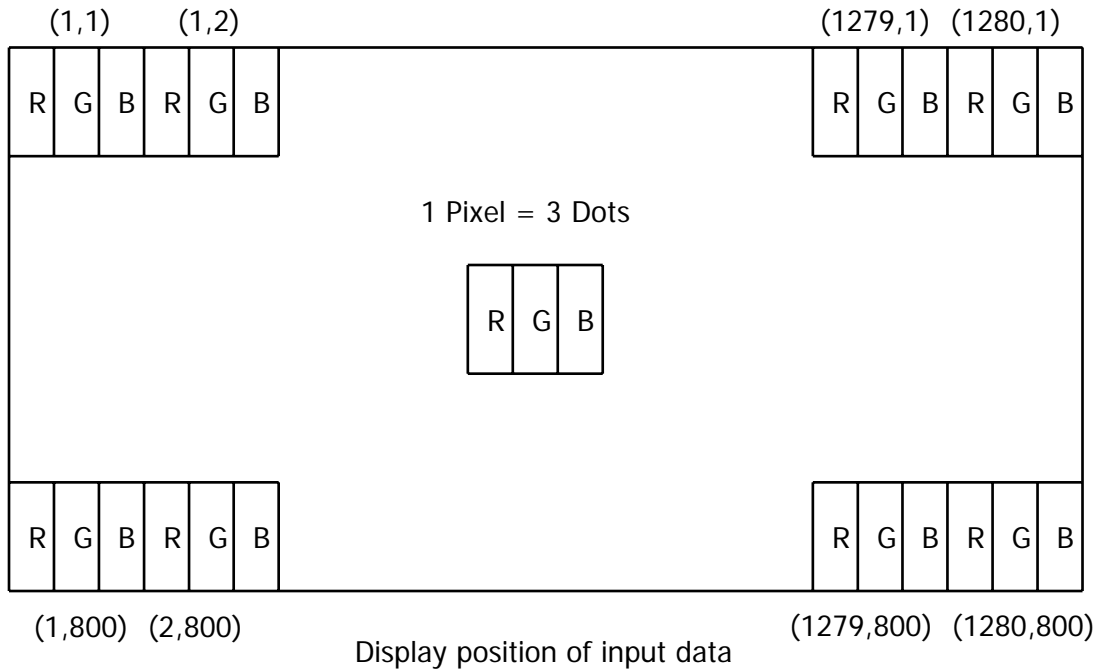
SPEC. TITLE

HV121WX4-120 Product Specification for Customer

PAGE

11 OF 26

5.4. Data Input Format



6.0. SIGNAL TIMING SPECIFICATIONS

6.1 HV121WX4-100 is operated by the only DE (Data enable) mode (LVDS Transmitter Input)

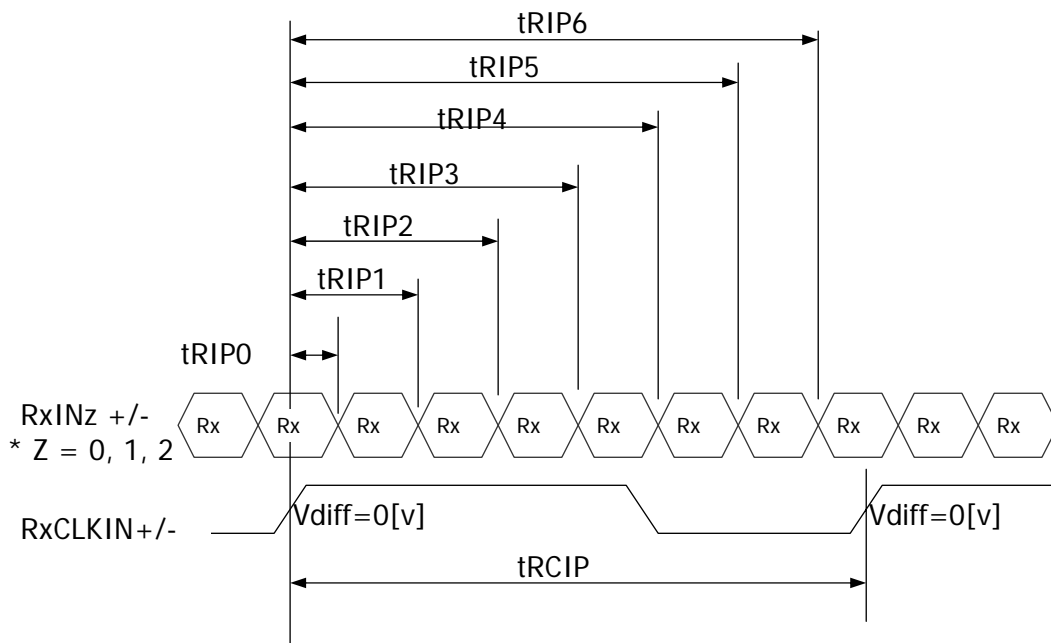
| Item | Symbols | Min | Typ | Max | Unit |
|---------------------------|---------|------|-------|-----|--------|
| Frame Period | T1 | 804 | 823 | - | lines |
| Vertical Display Period | T2 | - | 800 | - | lines |
| One Line Scanning Period | T3 | 1350 | 1440 | - | clocks |
| Horizontal Display Period | T4 | - | 1280 | - | clocks |
| Clock Frequency | 1/T5 | - | 71.11 | - | MHz |

6.2. LVDS Rx interface timing parameter

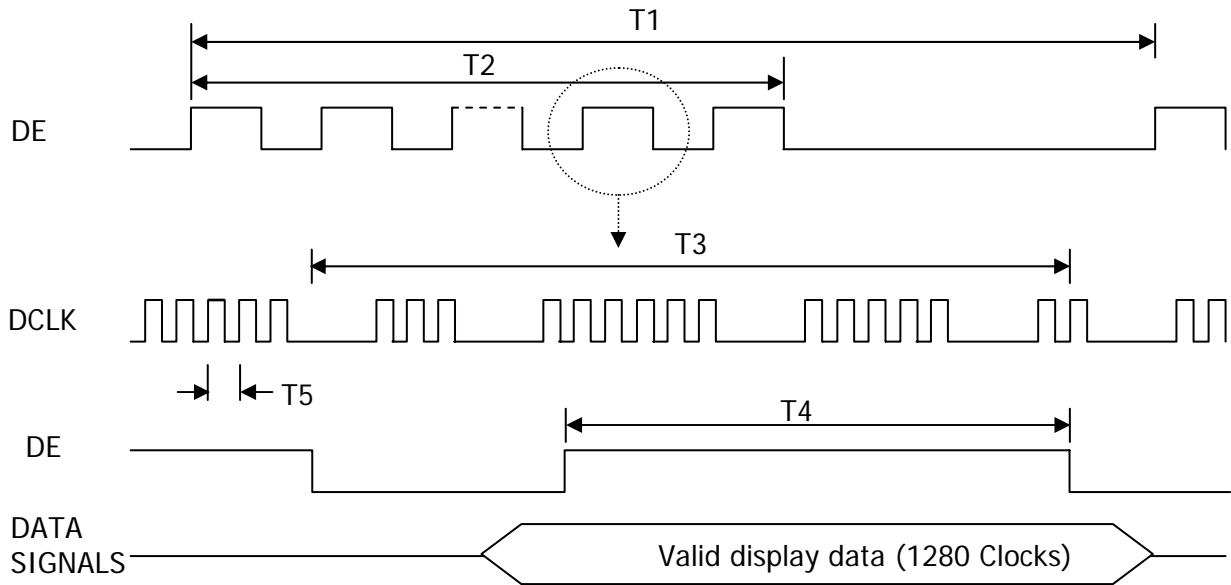
The specification of the LVDS Rx interface timing parameter

<LVDS Rx Interface Timing Specification>

| Item | Symbol | Min | Typ | Max | Unit | Remark |
|--------------|--------|-----------------|-------------|-----------------|------|--------|
| CLKIN Period | tRCIP | 12.5 | 14.06 | 25.00 | nsec | |
| Input Data 0 | tRIP0 | -0.4 | 0.0 | +0.4 | nsec | |
| Input Data 1 | tRIP1 | tRCIP/7-0.4 | tRCIP/7 | tRCIP/7+0.4 | nsec | |
| Input Data 2 | tRIP2 | 2 × tRCIP/7-0.4 | 2 × tRCIP/7 | 2 × tRCIP/7+0.4 | nsec | |
| Input Data 3 | tRIP3 | 3 × tRCIP/7-0.4 | 3 × tRCIP/7 | 3 × tRCIP/7+0.4 | nsec | |
| Input Data 4 | tRIP4 | 4 × tRCIP/7-0.4 | 4 × tRCIP/7 | 4 × tRCIP/7+0.4 | nsec | |
| Input Data 5 | tRIP5 | 5 × tRCIP/7-0.4 | 5 × tRCIP/7 | 5 × tRCIP/7+0.4 | nsec | |
| Input Data 6 | tRIP6 | 6 × tRCIP/7-0.4 | 6 × tRCIP/7 | 6 × tRCIP/7+0.4 | nsec | |



* Vdiff = (RINz+)-(RINz-), (RCLKIN+)-(RCLKIN-)

7.0 SIGNAL TIMING WAVEFORMS OF INTERFACE SIGNAL (DE MODE)
7.1 Timing Waveforms of Interface Signal




PRODUCT GROUP

REV

ISSUE DATE

TFT-LCD PRODUCT

A

8.0 INPUT SIGNALS, BASIC DISPLAY COLORS & GRAY SCALE OF COLORS

Each color is displayed in sixty-four gray scales from a 6 bit data signal input. A total of 262,144 colors are derived from the resultant 18 bit data.

| Colors & Gray Scale | | Red Data | | | | | | Green Data | | | | | | Blue Data | | | | | |
|-----------------------------|----------|----------|----|----|----|----|----|------------|----|----|----|----|----|-----------|----|----|----|----|----|
| | | R5 | R4 | R3 | R2 | R1 | R0 | G5 | G4 | G3 | G2 | G1 | G0 | B5 | B4 | B3 | B2 | B1 | B0 |
| Basic Colors | Black | 0 | 0 | 0 | 0 | 0 | 0 | 0 | 0 | 0 | 0 | 0 | 0 | 0 | 0 | 0 | 0 | 0 | 0 |
| | Blue | 0 | 0 | 0 | 0 | 0 | 0 | 0 | 0 | 0 | 0 | 0 | 0 | 1 | 1 | 1 | 1 | 1 | 1 |
| | Green | 0 | 0 | 0 | 0 | 0 | 0 | 1 | 1 | 1 | 1 | 1 | 1 | 0 | 0 | 0 | 0 | 0 | 0 |
| | Cyan | 0 | 0 | 0 | 0 | 0 | 0 | 1 | 1 | 1 | 1 | 1 | 1 | 1 | 1 | 1 | 1 | 1 | 1 |
| | Red | 1 | 1 | 1 | 1 | 1 | 1 | 0 | 0 | 0 | 0 | 0 | 0 | 0 | 0 | 0 | 0 | 0 | 0 |
| | Magenta | 1 | 1 | 1 | 1 | 1 | 1 | 0 | 0 | 0 | 0 | 0 | 0 | 1 | 1 | 1 | 1 | 1 | 1 |
| | Yellow | 1 | 1 | 1 | 1 | 1 | 1 | 1 | 1 | 1 | 1 | 1 | 1 | 0 | 0 | 0 | 0 | 0 | 0 |
| | White | 1 | 1 | 1 | 1 | 1 | 1 | 1 | 1 | 1 | 1 | 1 | 1 | 1 | 1 | 1 | 1 | 1 | 1 |
| Gray Scale Of Red | Black | 0 | 0 | 0 | 0 | 0 | 0 | 0 | 0 | 0 | 0 | 0 | 0 | 0 | 0 | 0 | 0 | 0 | 0 |
| | △ | 0 | 0 | 0 | 0 | 0 | 1 | 0 | 0 | 0 | 0 | 0 | 0 | 0 | 0 | 0 | 0 | 0 | 0 |
| | Darker | 0 | 0 | 0 | 0 | 1 | 0 | 0 | 0 | 0 | 0 | 0 | 0 | 0 | 0 | 0 | 0 | 0 | 0 |
| | △ | ↓ | | | | | | ↓ | | | | | | ↓ | | | | | |
| | ▽ | ↓ | | | | | | ↓ | | | | | | ↓ | | | | | |
| | Brighter | 1 | 1 | 1 | 1 | 0 | 1 | 0 | 0 | 0 | 0 | 0 | 0 | 0 | 0 | 0 | 0 | 0 | 0 |
| | ▽ | 1 | 1 | 1 | 1 | 1 | 0 | 0 | 0 | 0 | 0 | 0 | 0 | 0 | 0 | 0 | 0 | 0 | 0 |
| | Red | 1 | 1 | 1 | 1 | 1 | 1 | 0 | 0 | 0 | 0 | 0 | 0 | 0 | 0 | 0 | 0 | 0 | 0 |
| Gray Scale Of Green | Black | 0 | 0 | 0 | 0 | 0 | 0 | 0 | 0 | 0 | 0 | 0 | 0 | 0 | 0 | 0 | 0 | 0 | 0 |
| | △ | 0 | 0 | 0 | 0 | 0 | 0 | 0 | 0 | 0 | 0 | 0 | 1 | 0 | 0 | 0 | 0 | 0 | 0 |
| | Darker | 0 | 0 | 0 | 0 | 0 | 0 | 0 | 0 | 0 | 0 | 1 | 0 | 0 | 0 | 0 | 0 | 0 | 0 |
| | △ | ↓ | | | | | | ↓ | | | | | | ↓ | | | | | |
| | ▽ | ↓ | | | | | | ↓ | | | | | | ↓ | | | | | |
| | Brighter | 0 | 0 | 0 | 0 | 0 | 0 | 1 | 1 | 1 | 1 | 0 | 1 | 0 | 0 | 0 | 0 | 0 | 0 |
| | ▽ | 0 | 0 | 0 | 0 | 0 | 0 | 1 | 1 | 1 | 1 | 1 | 0 | 0 | 0 | 0 | 0 | 0 | 0 |
| | Green | 0 | 0 | 0 | 0 | 0 | 0 | 1 | 1 | 1 | 1 | 1 | 1 | 0 | 0 | 0 | 0 | 0 | 0 |
| Gray Scale Of Blue | Black | 0 | 0 | 0 | 0 | 0 | 0 | 0 | 0 | 0 | 0 | 0 | 0 | 0 | 0 | 0 | 0 | 0 | 0 |
| | △ | 0 | 0 | 0 | 0 | 0 | 0 | 0 | 0 | 0 | 0 | 0 | 0 | 0 | 0 | 0 | 0 | 0 | 1 |
| | Darker | 0 | 0 | 0 | 0 | 0 | 0 | 0 | 0 | 0 | 0 | 0 | 0 | 0 | 0 | 0 | 0 | 1 | 0 |
| | △ | ↓ | | | | | | ↓ | | | | | | ↓ | | | | | |
| | ▽ | ↓ | | | | | | ↓ | | | | | | ↓ | | | | | |
| | Brighter | 0 | 0 | 0 | 0 | 0 | 0 | 0 | 0 | 0 | 0 | 0 | 0 | 1 | 1 | 1 | 1 | 0 | 1 |
| | ▽ | 0 | 0 | 0 | 0 | 0 | 0 | 0 | 0 | 0 | 0 | 0 | 0 | 1 | 1 | 1 | 1 | 1 | 0 |
| | Blue | 0 | 0 | 0 | 0 | 0 | 0 | 0 | 0 | 0 | 0 | 0 | 0 | 1 | 1 | 1 | 1 | 1 | 1 |
| Gray Scale Of White & Black | Black | 0 | 0 | 0 | 0 | 0 | 0 | 0 | 0 | 0 | 0 | 0 | 0 | 0 | 0 | 0 | 0 | 0 | 0 |
| | △ | 0 | 0 | 0 | 0 | 0 | 1 | 0 | 0 | 0 | 0 | 0 | 1 | 0 | 0 | 0 | 0 | 0 | 1 |
| | Darker | 0 | 0 | 0 | 0 | 1 | 0 | 0 | 0 | 0 | 0 | 1 | 0 | 0 | 0 | 0 | 0 | 1 | 0 |
| | △ | ↓ | | | | | | ↓ | | | | | | ↓ | | | | | |
| | ▽ | ↓ | | | | | | ↓ | | | | | | ↓ | | | | | |
| | Brighter | 1 | 1 | 1 | 1 | 0 | 1 | 1 | 1 | 1 | 1 | 0 | 1 | 1 | 1 | 1 | 1 | 0 | 1 |
| | ▽ | 1 | 1 | 1 | 1 | 1 | 0 | 1 | 1 | 1 | 1 | 1 | 0 | 1 | 1 | 1 | 1 | 1 | 0 |
| | White | 1 | 1 | 1 | 1 | 1 | 1 | 1 | 1 | 1 | 1 | 1 | 1 | 1 | 1 | 1 | 1 | 1 | 1 |

SPEC. NUMBER

SPEC. TITLE

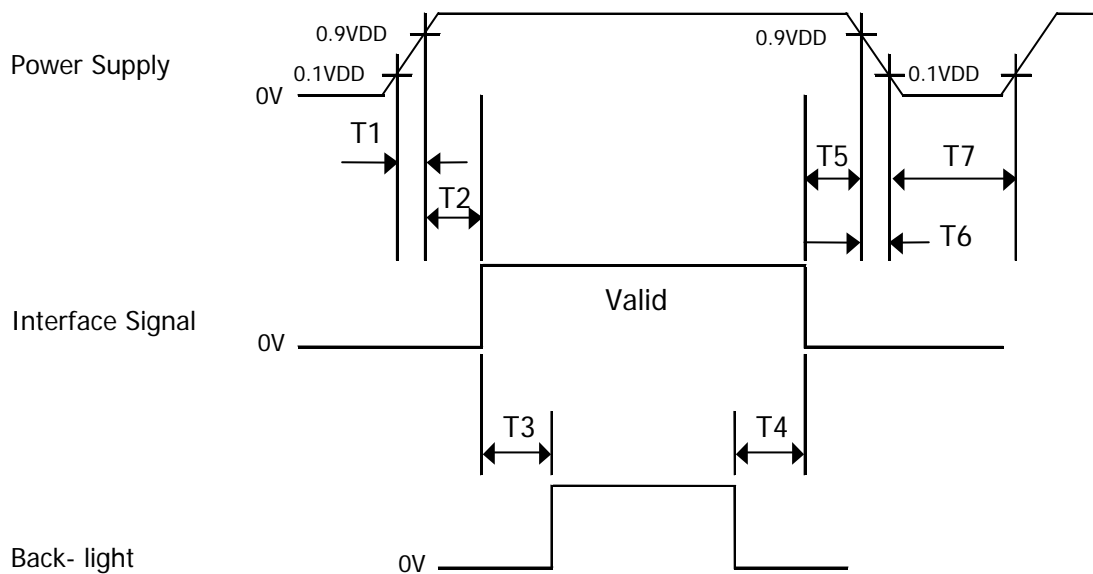
HV121WX4-120 Product Specification for Customer

PAGE

15 OF 26

9.0 POWER SEQUENCE

To prevent a latch-up or DC operation of the LCD module, the power on/off sequence shall be as shown in below



- $0 < T1 \leq 10 \text{ ms}$
- $0 < T2 \leq 50 \text{ ms}$
- $200 \text{ ms} \leq T3$
- $200 \text{ ms} \leq T4$
- $0 \leq T5 \leq 50 \text{ ms}$
- $0 \leq T6 \leq 10 \text{ ms}$
- $500 \text{ ms} \leq T7$

Notes:

1. When the power supply VDD is 0V, Keep the level of input signals on the low or keep high impedance.
2. Do not keep the interface signal high impedance when power is on.
3. Back Light must be turn on after power for logic and interface signal are valid.

10.0 MECHANICAL CHARACTERISTICS

10.1 Dimensional Requirements

FIGURE 5, 6 shown in appendix shows mechanical outlines for the model.

| Parameter | Specification | Unit |
|---------------------|---|--------|
| Active area | 261.12 (H) × 163.20 (V) | mm |
| Number of pixels | 1280(H) × 800(V) | pixels |
| | (1 pixel = R + G + B dots) | |
| Pixel pitch | 0.204(H) × 0.204(V) | mm |
| Pixel arrangement | RGB Vertical stripe | |
| Display colors | 262,144 | colors |
| Display mode | Normally Black | |
| Dimensional outline | 275.8±0.5(W) × 178.0±0.5(V) × 6.4 Typ D (6.7 Max) | mm |
| Weight | 290 (Typ.) / 300 (Max.) | g |
| Back-light | CCFL, Horizontal-lamp type | |

10.2 Mounting

See FIGURE 5. (shown in Appendix)

10.3 AG150T Polarizer.

The surface of the LCD has an anti-glare coating to minimize reflection

10.4 Light Leakage

There shall not be visible light from the back-lighting system around the edges of the screen as seen from a distance 50 cm from the screen with an overhead light level of 150lux. The manufacture shall furnish limit samples of the panel showing the light leakage acceptable.



PRODUCT GROUP

REV

ISSUE DATE

TFT-LCD PRODUCT

A

11.0 RELIABILITY TEST

| No | Test Items | Conditions |
|----|---|---|
| 1 | High temperature storage test | Ta = 60 °C, 240 hrs |
| 2 | Low temperature storage test | Ta = -20 °C, 240 hrs |
| 3 | High temperature & high humidity operation test | Ta = 50 °C, 80%RH, 240hrs |
| 4 | High temperature operation test | Ta = 50 °C, 240 hrs |
| 5 | Low temperature operation test | Ta = 0 °C, 240 hrs |
| 6 | Thermal shock | Ta = -20 °C ↔ 60 °C (30 min), 100 cycle |
| 7 | Vibration test (non-operating) | Frequency : 10~500Hz Gravity/AMP : 1.5G Period : X,Y,Z 30min |
| 8 | Shock test (non-operating) | Gravity : 220G Pulse width : 2ms, half sine wave ±X, ±Y, ±Z Once for each direction |
| 9 | Electro-Static Discharge Test (non-operating) | Air : 150pF, 330ohm, 15KV Contact : 150pF, 330ohm, 8KV |

SPEC. NUMBER

SPEC. TITLE

HV121WX4-120 Product Specification for Customer

PAGE

18 OF 26



12.0 HANDLING & CAUTIONS

12.1 Cautions when taking out the module

- Pick the pouch only, when taking out module from a shipping package.

12.2 Cautions for handling the module

- As the electrostatic discharges may break the LCD module, handle the LCD module with care. Peel a protection sheet off from the LCD panel surface as slowly as possible.
- As the LCD panel and backlight element are made from fragile glass material, impulse and pressure to the LCD module should be avoided.
- As the surface of the polarizer is very soft and easily scratched, use a soft dry cloth without chemicals for cleaning.
- Do not pull the interface connector in or out while the LCD module is operating.
- Put the module display side down on a flat horizontal plane.
- Handle connectors and cables with care.

12.3 Cautions for the operation

- When the module is operating, do not lose MCLK, DE signals. If any one of these signals were lost, the LCD panel would be damaged.
- Obey the supply voltage sequence. If wrong sequence were applied, the module would be damaged.

12.4 Cautions for the atmosphere

- Dewdrop atmosphere should be avoided.
- Do not store and/or operate the LCD module in a high temperature and/or humidity atmosphere. Storage in an electro-conductive polymer-packing pouch and under relatively low temperature atmosphere is recommended.

12.5 Cautions for the module characteristics

- Do not apply fixed pattern data signal to the LCD module at product aging.
- Applying fixed pattern for a long time may cause image sticking.

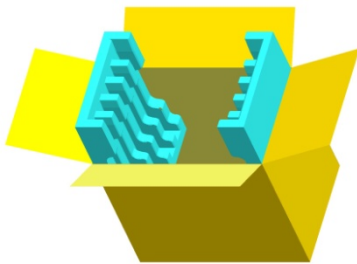
12.6 Other cautions

- Do not disassemble and/or re-assemble LCD module.
- Do not re-adjust variable resistor or switch etc.
- When returning the module for repair or etc, please pack the module not to be broken.
We recommend using the original shipping packages.

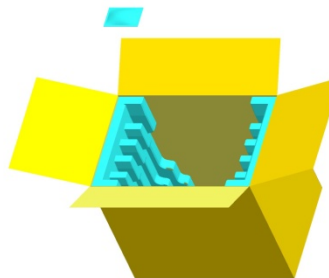
13.0 PACKING

13.1 Packing Order

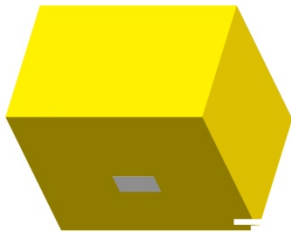
Put Pad into the box.



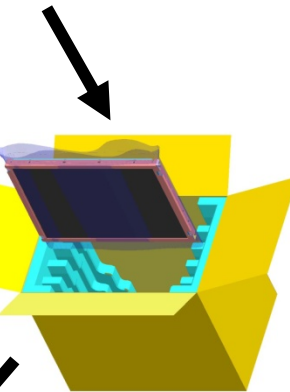
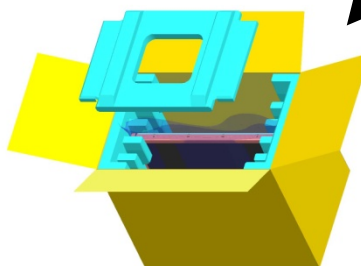
Put silica gels in the box.



After sealing the box, attach Packing Label on the attach position sign area of the box.



Place a cover on the top of the box.



As shown in the figure, place the Modules bundled by shielding bag in the box.

Notes

- Box Dimension: 261mm(W) X 349mm(D) X 311mm(H)
- Package Quantity in one Box: 10pcs



PRODUCT GROUP

REV

ISSUE DATE

TFT-LCD PRODUCT

A

14.0 Environment & Safety

14.1 Packing Label

Label Size: 108 mm (L) × 56 mm (W)

Contents

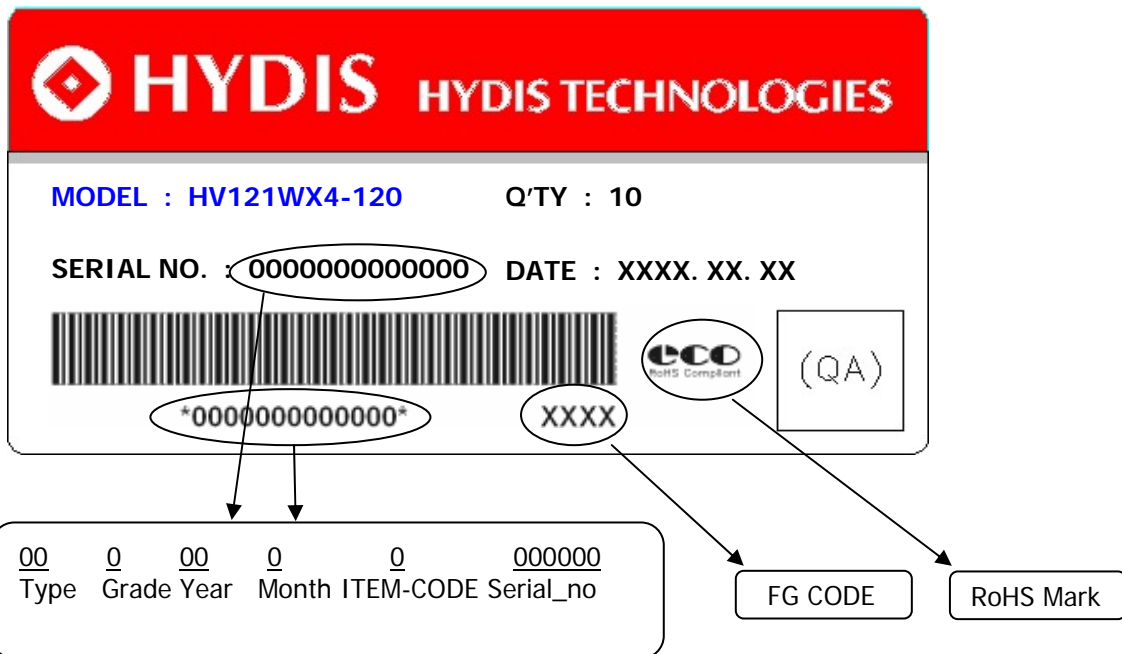
Model: HV121WX4-120

Q`ty: Module Q`ty in one box

Serial No.: Box Serial No. See next figure for detail description.

Date: Packing Date

FG Code: FG Code of Product



14.2 Mercury disposal & High voltage caution

| | | |
|--|--|--|
| | HIGH VOLTAGE CAUTION | COLD CATHODE FLUORESCENT LAMP IN LCD PANEL CONTAINS A SMALL AMOUNT OF MERCURY. PLEASE FOLLOW LOCAL ORDINANCES OR REGULATIONS FOR DISPOSAL. |
| | RISK OF ELECTRIC SHOCK. DISCONNECT THE ELECTRIC POWER BEFORE SERVICING | |

SPEC. NUMBER

SPEC. TITLE
HV121WX4-120 Product Specification for Customer

PAGE
21 OF 26



PRODUCT GROUP

REV

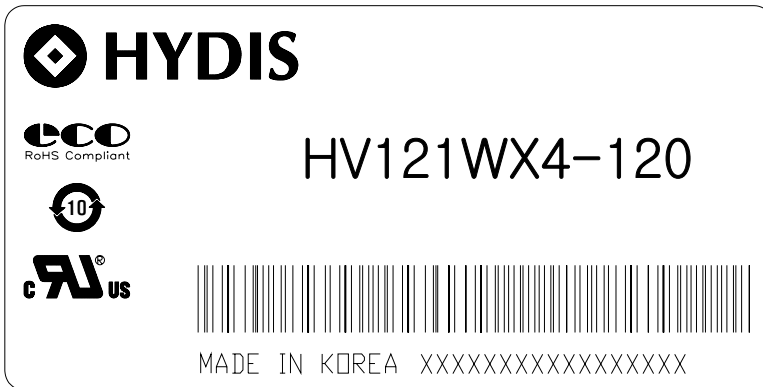
ISSUE DATE

TFT-LCD PRODUCT

A

14.3 Product Label

(1) Product label



1 2 3 4 5 6 7

| | | | | | | | | | | | | | | | | |
|---|---|---|---|---|---|---|---|---|---|---|---|---|---|---|---|---|
| X | X | X | X | X | X | 1 | 0 | 0 | X | X | X | X | X | X | X | X |
|---|---|---|---|---|---|---|---|---|---|---|---|---|---|---|---|---|

Type designation

No 1. Control Number

No 2. Rank / Grade

No 3. Company (H:HYDIS)

No 4. Year (5 : 2005, 6: 2006, ...)

No 5. Month (1, 2, 3, ..., 9, X, Y, Z)

No 6. Product Identification (FG)

No 7. Serial Number

SPEC. NUMBER

SPEC. TITLE

HV121WX4-120 Product Specification for Customer

PAGE

22 OF 26

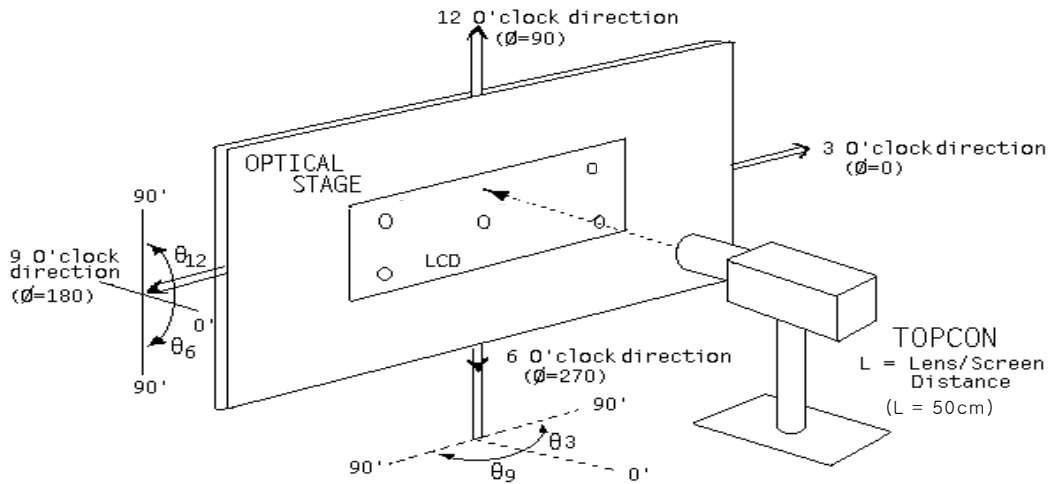
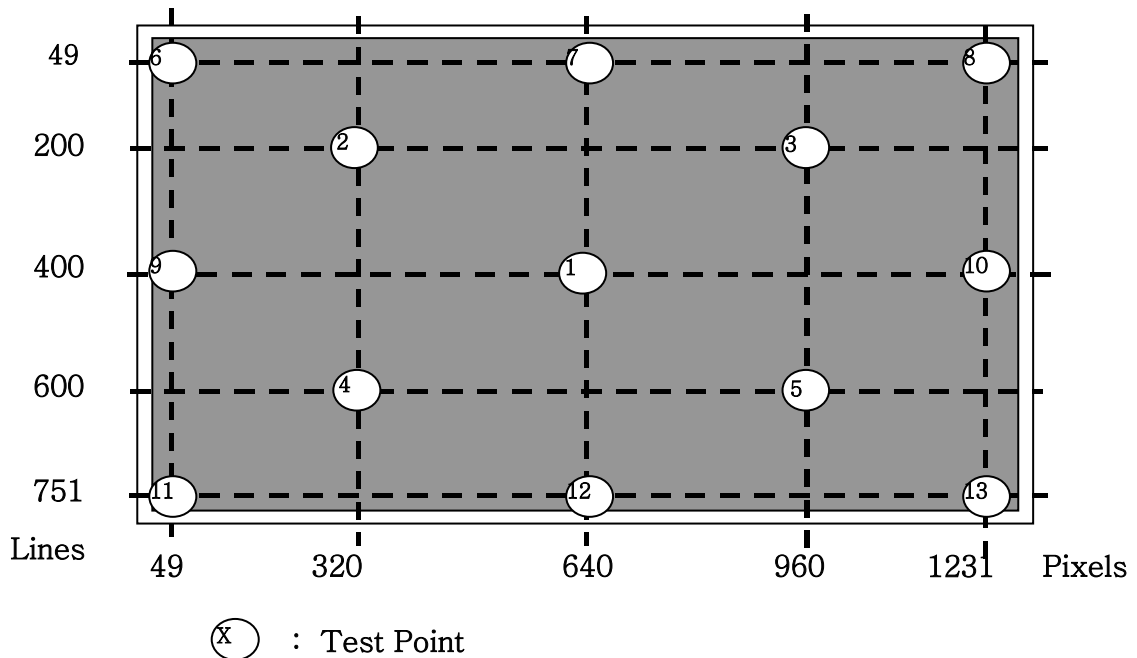
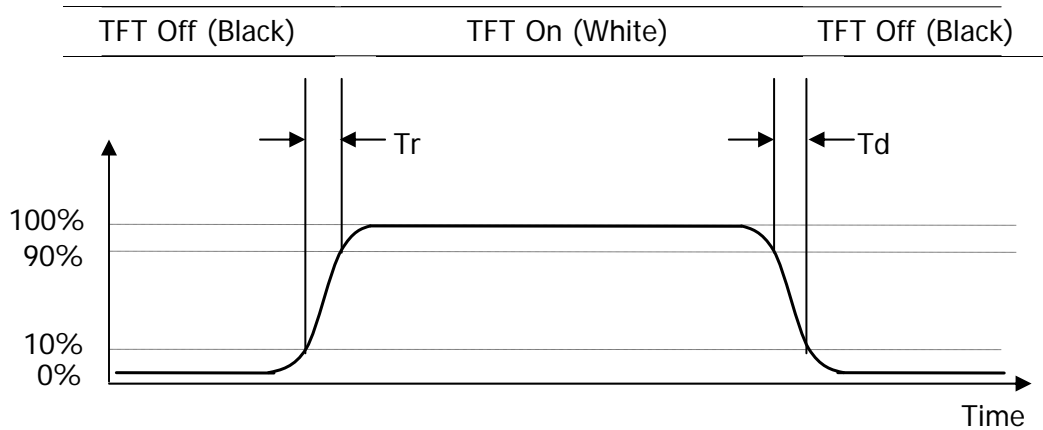
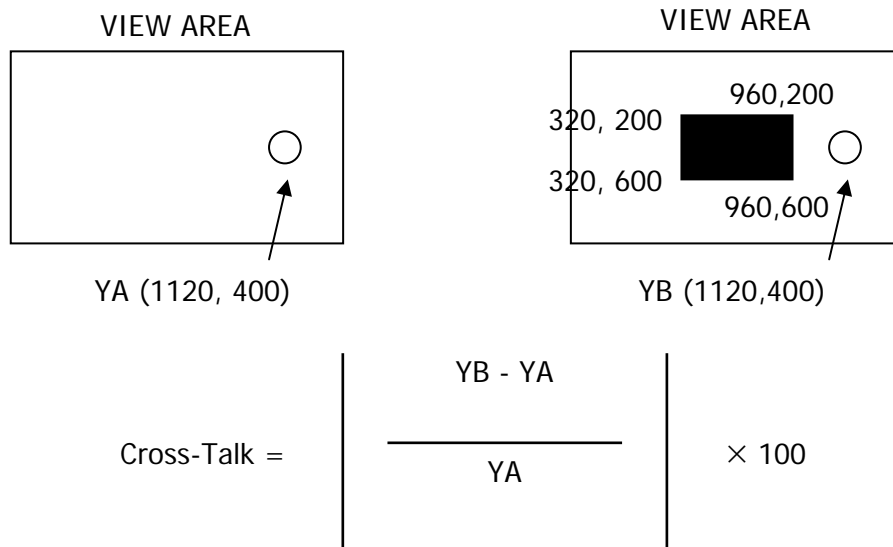
15.0 APPENDIX
Figure 1. Measurement Set Up

Figure 2. Average Luminance Measurement Locations & Uniformity Measurement Locations


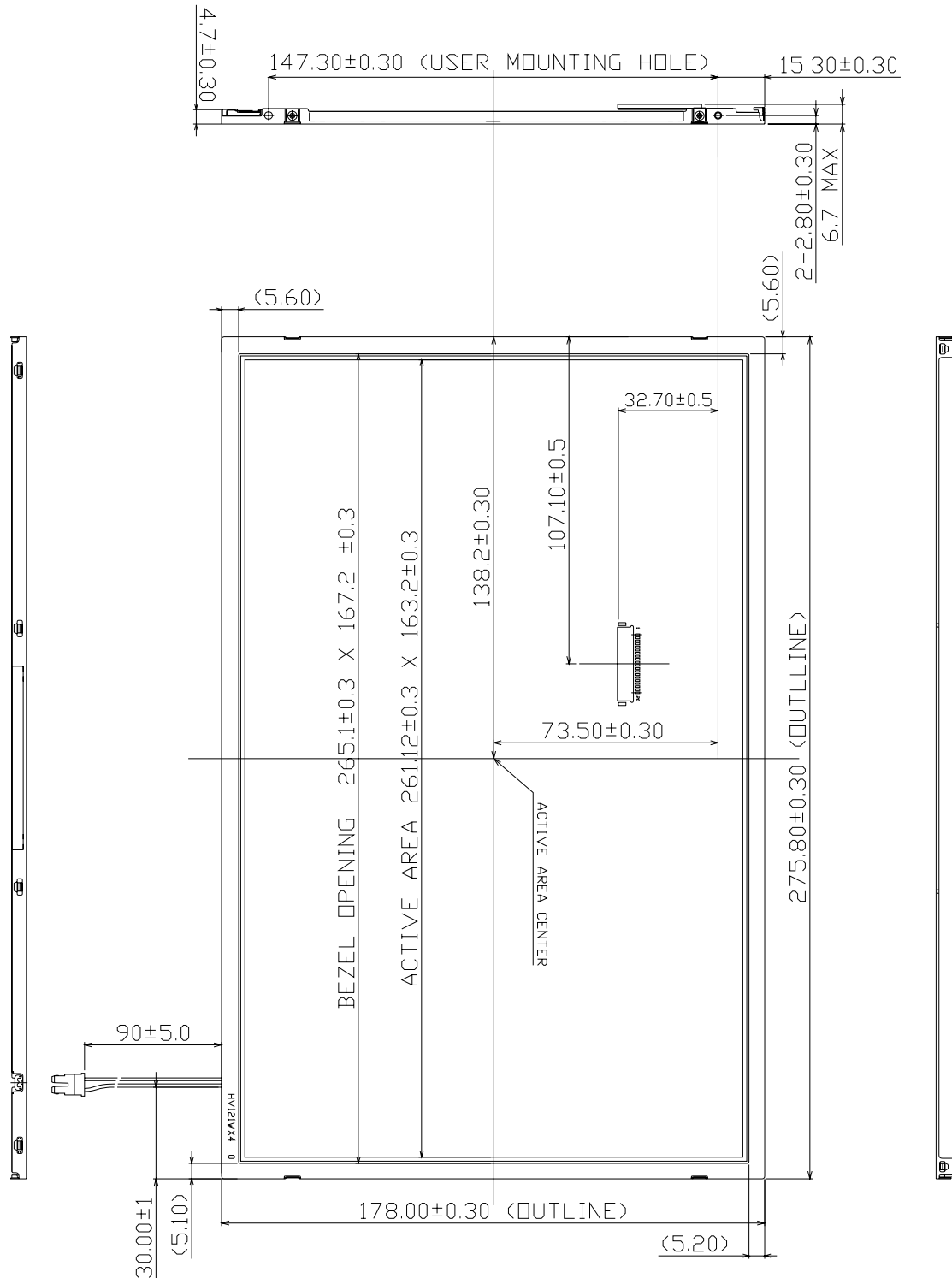
Figure 3. Response Time Testing

Figure 4. Cross Modulation Test Description


Where:

 Y_A = Initial luminance of measured area (cd/m²)

 Y_B = Subsequent luminance of measured area (cd/m²)

The location measured will be exactly the same in both patterns.

Figure 5. TFT-LCD Module Outline Dimensions (Front view)


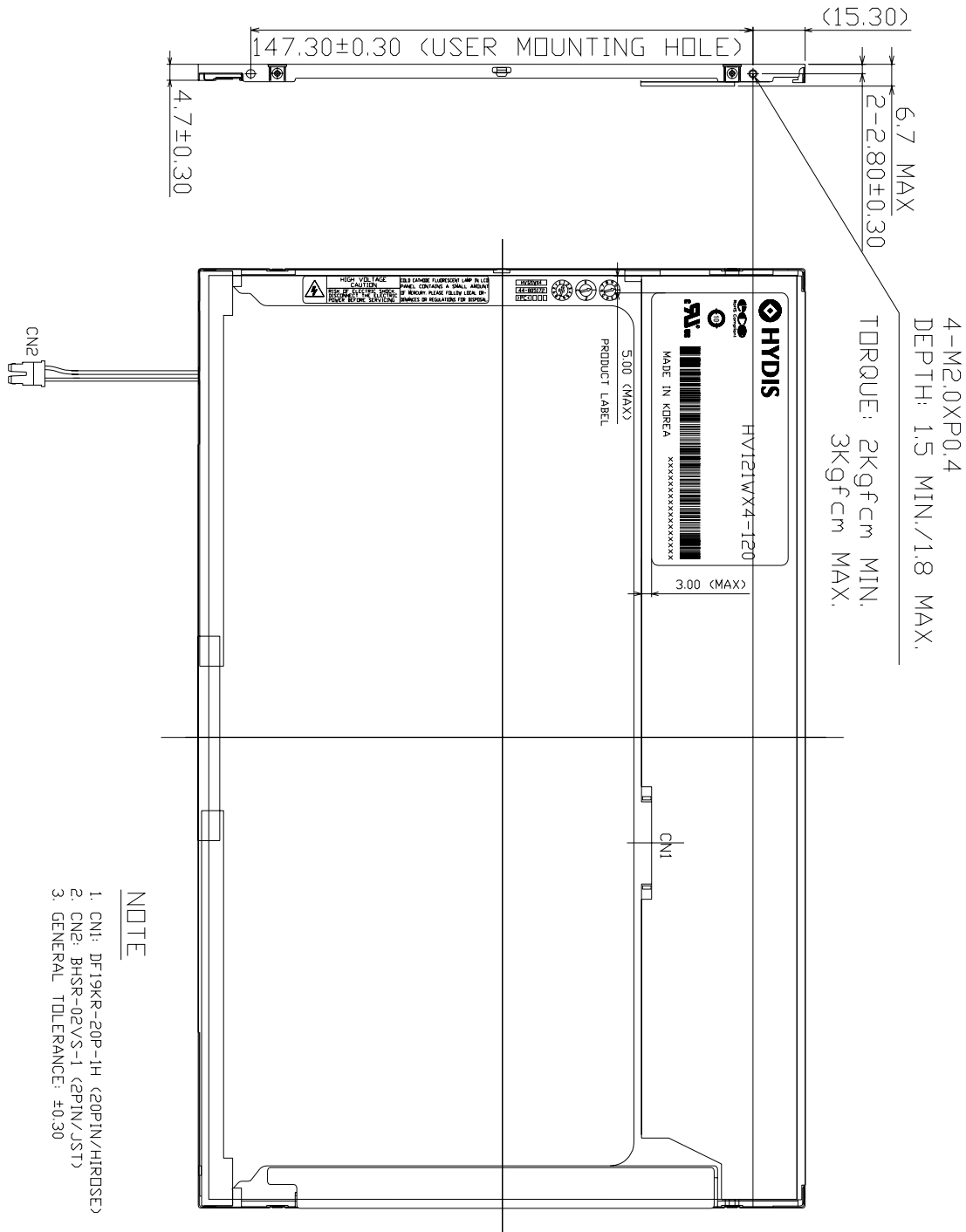
SPEC. NUMBER

SPEC. TITLE

HV121WX4-120 Product Specification for Customer

PAGE

25 OF 26

Figure 6. TFT-LCD Module Outline Dimensions (Rear view)


SPEC. NUMBER

 SPEC. TITLE
 HV121WX4-120 Product Specification for Customer

 PAGE
 26 OF 26