

Rotary Hybrid Stepping Motor 1.8°

SIZE
23
2.25"
DIA

Conventional



EADmotors Size 23 hybrid DC stepping motors are precision bi-directional devices with position accuracy of ±3% non-cumulative.

Motors are totally enclosed with permanently lubricated ball bearings.

Standard motors have 4 or 6 leads. Motors with 5 or 8 leads can be furnished to meet existing applications. These motors are also available in 5 and 7.5 degree step angles.

EADmotors specializes in meeting the individual requirements of each application and offers engineering assistance for your design requirements.

Electrical Ratings

Model Number	Number of Leads	Unipolar Connection					Bipolar Connection					Rotor Inertia (oz-in-sec ²)	Weight (ounces)
		Phase Voltage (VDC)	Phase Current (amps)	Phase Resistance (ohms)	Phase Inductance (mH)	Holding Torque (oz-in)	Phase Voltage (VDC)	Phase Current (amps)	Phase Resistance (ohms)	Phase Inductance (mH)	Holding Torque (oz-in)		
LA23GCK-209	6	1.40	5.90	0.235	0.3	38.5	1.98	4.18	0.47	1.0	48	0.00081	14
LA23GCK-210	6	4.00	1.54	2.60	3.2	38.5	5.70	1.10	5.20	12.7	48		
LA23GCK-211	6	6.00	1.20	5.00	5.4	38.5	8.50	0.85	10.00	21.6	48		
LA23GCK-212	6	12.00	0.60	20.00	21.6	38.5	17.00	0.42	40.00	86.4	48		
LA23GCK-213	6	24.00	0.30	80.00	81.2	38.5	34.00	0.21	160.00	324.6	48		
LA23GCK-M100	4						6.0	1.00	5.90	16.9	48		
LA23GCK-M200	4						3.0	2.00	1.50	4.2	48		
LA23GCK-M300	4						2.0	3.00	0.66	1.9	48		
LA23GCK-M400	4						1.5	4.00	0.37	1.1	48		
LA23ECK-3	6	1.40	3.89	0.36	0.6	57.5	2.00	2.78	0.72	2.4	72		
LA23ECK-6	6	3.40	1.55	2.20	4.1	57.5	4.80	1.09	4.40	16.2	72		
LA23ECK-4	6	5.10	1.00	5.10	9.7	57.5	7.20	0.71	10.20	38.9	72		
LA23ECK-11	6	6.00	0.97	6.20	10.6	57.5	8.50	0.68	12.40	42.4	72		
LA23ECK-12	6	12.00	0.48	25.00	41.19	57.5	17.00	0.34	50.00	164.76	72		
LA23ECK-13	6	24.00	0.25	96.00	131.40	57.5	34.00	0.18	192.00	525.60	72		
LA23ECK-M100	4						5.6	1.00	5.6	25.6	72		
LA23ECK-M200	4						2.8	2.00	1.4	6.4	72		
LA23ECK-M300	4						1.9	3.00	0.62	2.8	72		
LA23ECK-M400	4						1.4	4.00	0.35	1.6	72		
LA23BCK-9	6	1.70	4.59	0.37	0.8	120	2.40	3.25	0.74	3.0	150	0.00331	32
LA23BCK-10	6	4.30	1.79	2.40	5.3	120	6.10	1.27	4.80	21.3	150		
LA23BCK-11	6	5.40	1.54	3.50	7.8	120	7.60	1.09	7.00	31.2	150		
LA23BCK-47	6	6.00	1.25	4.80	11.4	120	8.50	0.88	9.60	45.6	150		
LA23BCK-40	6	12.00	0.66	18.20	41.2	120	17.00	0.47	36.40	164.6	150		
LA23BCK-41	6	24.00	0.36	66.00	143.3	120	34.00	0.26	132.00	573.2	150		
LA23BCK-M100	4						7.6	1.00	7.6	35.2	150		
LA23BCK-M200	4						3.8	2.00	1.9	8.8	150		
LA23BCK-M300	4						2.5	3.00	0.84	3.9	150		
LA23BCK-M400	4						1.9	4.00	0.48	2.2	150		
LA23DGK-1	6	2.20	4.58	0.48	1.1	168	3.10	3.23	0.96	4.4	210	0.00497	47
LA23DGK-2	6	3.40	2.83	1.20	2.9	168	4.80	2.00	2.40	11.4	210		
LA23DGK-23	6	6.00	1.76	3.40	8.4	168	8.50	1.25	6.80	33.4	210		
LA23DGK-24	6	12.00	0.75	16.00	39.0	168	17.00	0.53	32.00	156.0	210		
LA23DGK-25	6	24.00	0.44	55.00	117.1	168	34.00	0.31	110.00	468.0	210		
LA23DGK-M200	4						5.3	2.00	2.65	13.2	210		
LA23DGK-M300	4						3.54	3.00	1.18	5.88	210		
LA23DGK-M400	4						2.65	4.00	0.66	3.3	210		

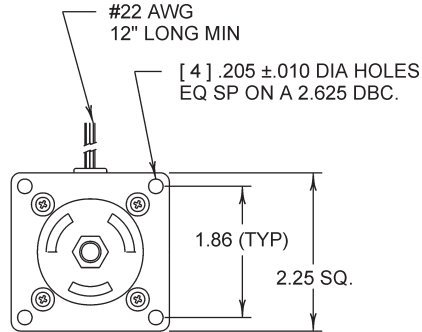
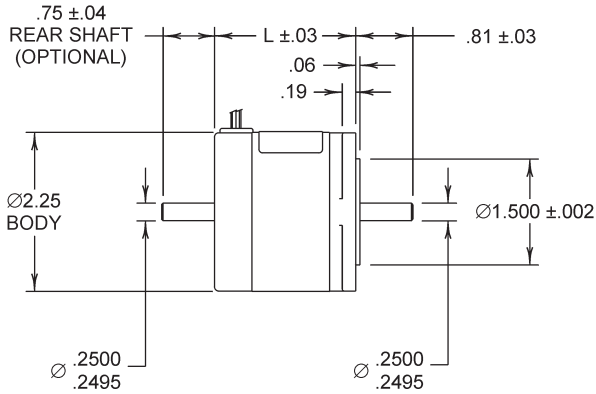
Solutions in motion



Rotary Hybrid Stepping Motor 1.8°

Conventional

SIZE
23
2.25"
DIA



Size 23

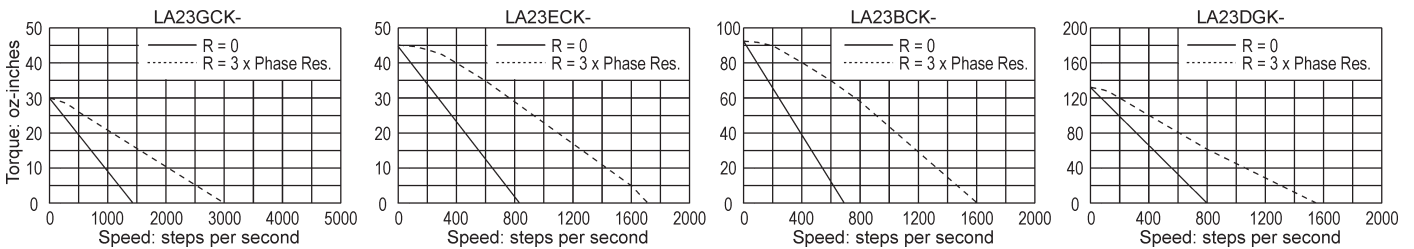
Model Series	Dimension "L" (inches)
LA23GCK	1.60
LA23ECK	2.00
LA23BCK	3.00
LA23DGK	4.00

See page 38 for Connection Diagrams.

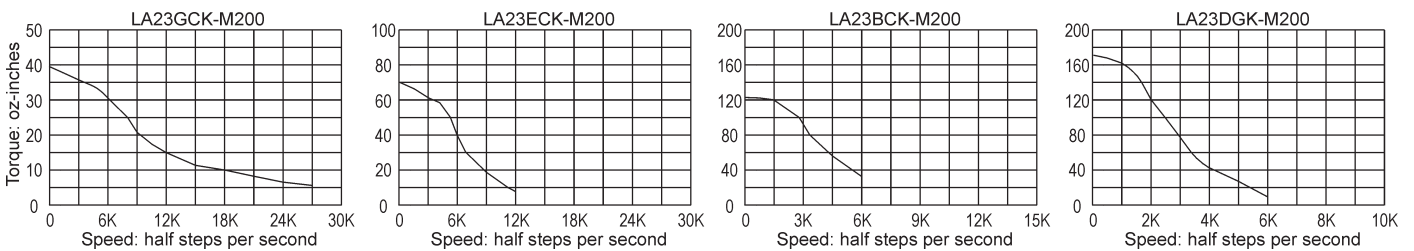
For the rear shaft option, use the suffix "R" (for example, LA23GCK-209R).

Pullout Torque Speed Curves

Typical Unipolar Performance (6 Lead Motor): Constant Voltage Drive (L/R), 2 Phase On



Typical Bipolar Performance: 40 VDC Power Supply, 2 Amps



Solutions in motion

