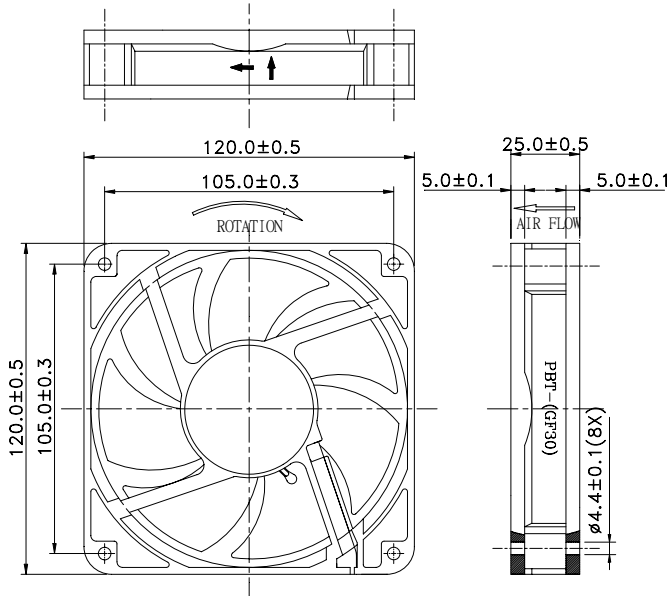




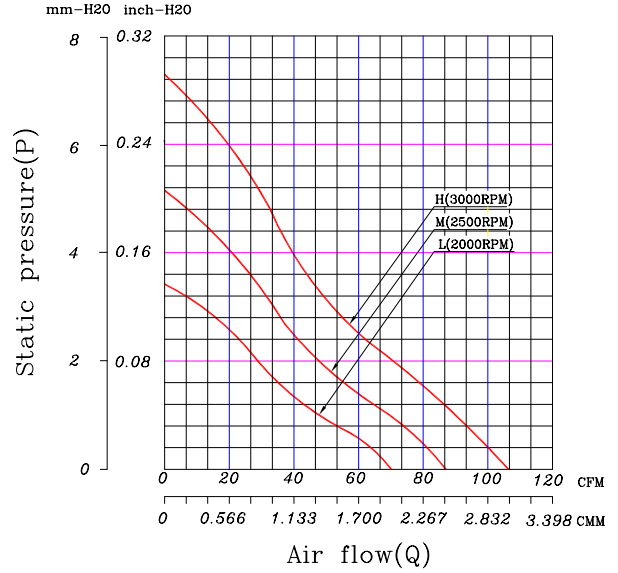
**120 x 120 x 25 mm Series**

**Rev I**

**Dimensions**



**Performance Curves**



Air exhaust over struts. Rotational direction CCW looking at rotor

Brushless DC Motor	Bearing Type
Housing: PBT 94V0	● CeraDyna A
Impeller: PBT 94V0	○ CeraDyna C
Weight: 188 g	● 2-Ball
Impedance protected	○ 1-Ball-1-Sleeve
Lead wire UL 1095 AWG 28	● Sleeve

Function options	
● Frequency Generator	● Auto Restart
● Temperature Control	● Rotation Detection
○ PWM Control	

\* Safety Approval: CE, UL, TUV

\*All fans are with electronic protection against reverse polarity. The fan only operates when the polarity is correct.

**Specifications**

Model	Rated Voltage (VDC)	Rated Current (Amp)	Input Power (Watts)	Nominal Speed (RPM)	Airflow (CFM)	Static Pressure (inch-H <sub>2</sub> O)	Noise Level (dBA)
FD1212-A10XXE	12	0.42	5.04	3000	106.37	0.29	51.00
FD1212-A20XXE	12	0.27	3.24	2500	87.02	0.20	46.00
FD1212-A30XXE	12	0.16	1.92	2000	70.14	0.13	39.00
FD2412-A10XXE	24	0.23	5.52	3000	106.37	0.29	51.00
FD2412-A20XXE	24	0.15	3.60	2500	87.02	0.20	46.00
FD2412-A30XXE	24	0.12	2.88	2000	70.14	0.13	39.00
FD4812-A10XXE	48	0.16	7.68	3000	106.37	0.29	51.00
FD4812-A20XXE	48	0.13	6.24	2500	87.02	0.20	46.00
FD4812-A30XXE	48	0.10	4.80	2000	70.14	0.13	39.00

\*All readings are typical value at rated voltage.

\*Please refer to **PART NUMBER SYSTEM** for bearing type and part number "XX" designation.

\*Specifications are subject to change without prior notice.

\*Please specify revision number when ordering.