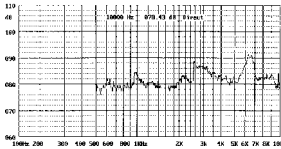


SMT Transducer

SMT-8030series SMT Transducer

Model No	SMT-8030B	SMT-8030C	SMT-8030S
Rated Voltage	3.6V	3.6V	3.6V
Operating Voltage	2.0-5.0V	2.5-4.5V	3.0-5.0V
Max. Rated Current	90mA	80mA	90mA
Min. Sound Pressure Level	85dB/10cm	88dB/10cm	85dB/10cm
Coil Resistance (DC)	16 j A 3 j	16 j A 3 j	20 j A 3 j
Resonant Frequency	2670Hz	2700Hz	2650Hz
Operating Temperature	-30~+70jæ	-30~+70jæ	-25~+70jæ
Weight	1 g	1 g	1 g

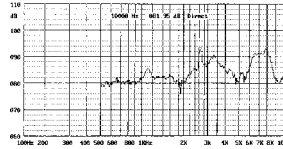
FREQUENCYRESPONSE
[actual curve of type]



applied voltage: 3.6V. 1/2 duty, square wave
distance for measurement: 10cm

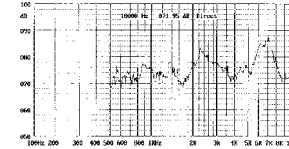
* Value applying at rated voltage

FREQUENCYRESPONSE
[actual curve of type]

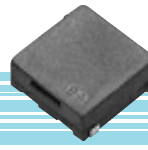


applied voltage: 3.6V. 1/2 duty, square wave
distance for measurement: 10cm

FREQUENCYRESPONSE
[actual curve of type]

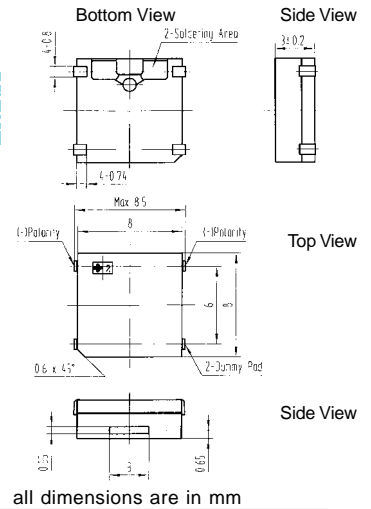


applied voltage: 3.6V. 1/2 duty, square wave
distance for measurement: 10cm



color Black
PPS Housing Material
SMT Terminal

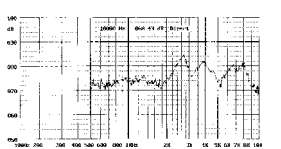
DIMENSIONS



SMT-8540 series SMT Transducer

Model No	SMT-8540A	SMT-8540B	SMT-8540C
Rated Voltage	3.6V	3.6V	3.6V
Operating Voltage	2.0-5.0V	3.0-4.2V	2.5-4.5V
Max. Rated Current	90mA	100mA	80mA
Min. Sound Pressure Level	85dB/10cm	90dB/10cm	88dB/10cm
Coil Resistance (DC)	16 j A 3 j	16 j A 3 j	16 j A 3 j
Resonant Frequency	2400Hz	3000Hz	2700Hz
Operating Temperature	-30~+70jæ	-20~+60jæ	-30~+70jæ
Weight	1 g	1 g	1 g

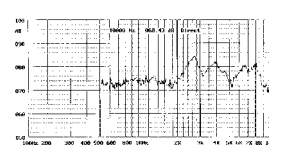
FREQUENCYRESPONSE
[actual curve of type]



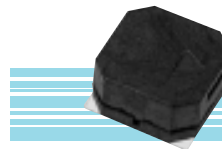
applied voltage: 3.6V. 1/2 duty, square wave
distance for measurement: 10cm

* Value applying at rated voltage

FREQUENCYRESPONSE
[actual curve of type]

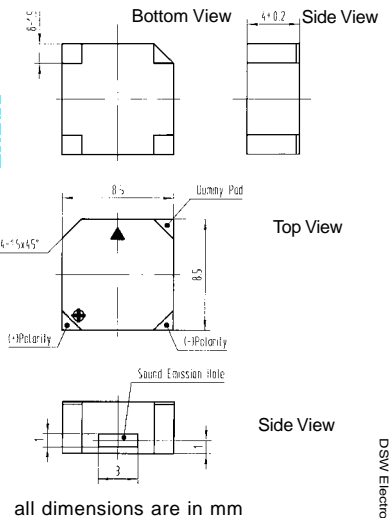


applied voltage: 3.6V. 1/2 duty, square wave
distance for measurement: 10cm



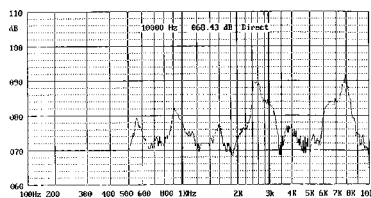
color Black
PPS Housing Material
SMT Terminal

DIMENSIONS



SMT-9050R Magnetic Buzzer

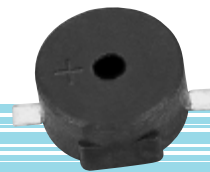
FREQUENCYRESPONSE
[actual curve of type]



applied voltage: 3.6V. 1/2 duty, square wave distance for measurement: 10cm

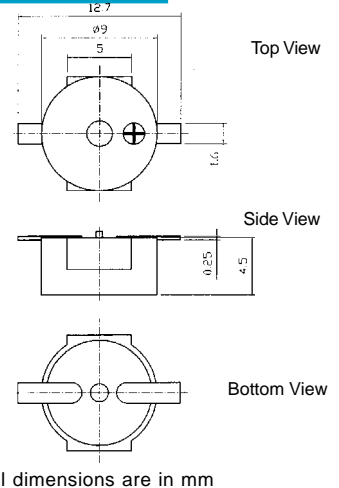
Model No	SMT-9050R
Rated Voltage	3V
Operating Voltage	2.0-4.0V
Max. Rated Current	90mA
Min. Sound Pressure Level	88dB/10cm
Coil Resistance	15 j A 3 j
Resonant Frequency	2650Hz
Operating Temperature	-20 ~ +60jæ
Weight	1 g

* Value applying at rated voltage



color Black
PPS Housing Material
SMT Terminal

DIMENSIONS



The information contained herein is believed to be correct, but no guarantee for accuracy, completeness DSW Electronics Ltd. reserves the right to make changes without notification.