



TO : China general

DATE : Oct, 11, 2011

SAMSUNG TFT-LCD
MODEL NO. : LTN140AT21-W

NOTE : Extension code [- Wxx]
→ LTN140AT21-Wxx
Surface type [Anti-**Glare**]

Any modification of Spec is not allowed without SEC's permission

Application engineering part, Mobile Division
Samsung Electronics Co., Ltd.

Samsung Secret

GENERAL DESCRIPTION

DESCRIPTION

LTN140AT21 is a color active matrix TFT (Thin Film Transistor) liquid crystal display (LCD) that uses amorphous silicon TFT as switching devices.

This model is composed of a TFT LCD panel, a driver circuit and a backlight unit.

The resolution of a 14.0" contains 1366 x 768 pixels and can display up to 262,144 colors. 6 O'clock direction is the optimum viewing angle.

FEATURES

- High contrast ratio
- HD(1366 x 768 pixels) resolution
- Fast Response
- LED Back Light with embedded LED Driver
- DE (Data enable) only mode
- 3.3V LVDS Interface
- Onboard EEDID chip

APPLICATIONS

- Notebook PC
- If the usage of this product is not for PC application, but for others, please contact SEC

GENERAL INFORMATION

Item	Specification	Unit	Note
Display area	309.399 (H) x 173.952 (V) (14.0"diagonal)	mm	
Driver element	a-Si TFT active matrix		
Display colors	262,144		
Number of pixel	1366 * 768	pixel	16:9
Pixel arrangement	RGB vertical stripe		
Pixel pitch	0.2265(H) x 0.2265(V)	mm	
Display Mode	Normally white		
Surface treatment	Haze 25%, Hardness 3H		A/G

Samsung Secret

Mechanical Information

Item		Min.	Typ.	Max.	Unit	Note
Module size	Horizontal (H)	323.0	323.5	324.0	mm	
	Vertical (V)	191.4	191.9	192.4	mm	
	Depth (D)	-	-	4.0	mm	PCB Area
Weight		-	-	355	g	

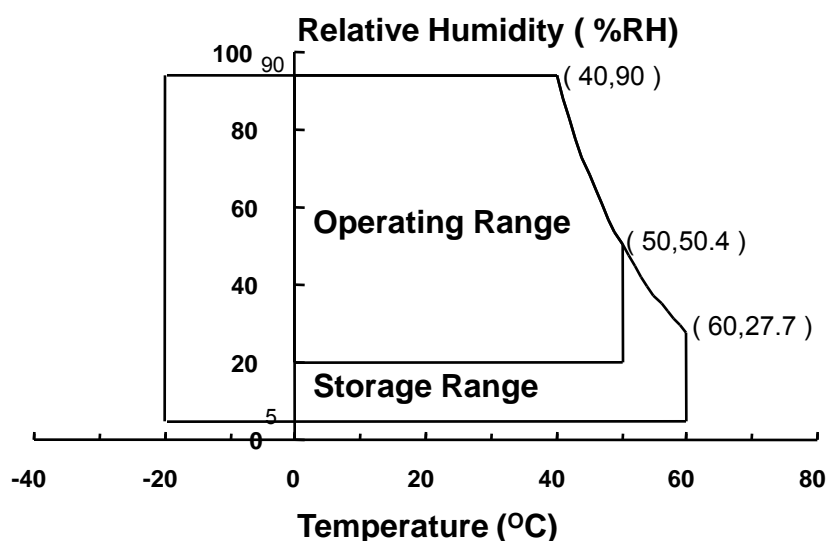
Note (1) Measurement condition of outline dimension
 . Equipment : Bernier Calipers
 . Push Force : 500g · f (minimum)

1. ABSOLUTE MAXIMUM RATINGS

1.1 ENVIRONMENTAL ABSOLUTE RATINGS

Item	Symbol	Min.	Max.	Unit	Note
Storage temperate	TSTG	-20	60	°C	(1)
Operating temperate (Temperature of glass surface)	TOPR	0	50	°C	(1)
Shock (non-operating)	Snop	-	240	G	(2),(4)
Vibration (non-operating)	Vnop	-	2.41	G	(3),(4)

Note (1) Temperature and relative humidity range are shown in the figure below.
 95 % RH Max. ($40\text{ °C} \geq T_a$)
 Maximum wet - bulb temperature at 39 °C or less. ($T_a > 40\text{ °C}$) No condensation



- (2) 2ms, half sine wave, one time for $\pm X$, $\pm Y$, $\pm Z$.
 (3) 5 - 500 Hz, random vibration, 30min for X, Y, Z.
 (4) At testing Vibration and Shock, the fixture in holding the Module to be tested have to be hard and rigid enough so that the Module would not be twisted or bent by the fixture.

Samsung Secret

1.2 ELECTRICAL ABSOLUTE RATINGS

(1) TFT LCD MODULE

 $V_{DD} = 3.3V$, $V_{SS} = GND = 0V$

Item	Symbol	Min.	Max.	Unit	Note
Power Supply Voltage	V_{DD}	$V_{DD} - 0.3$	$V_{DD} + 0.3$	V	(1)
Logic Input Voltage	V_{IN}	$V_{DD} - 0.3$	$V_{DD} + 0.3$	V	(1)

Note (1) Within T_a ($25 \pm 2 \text{ }^\circ\text{C}$)

(2) BACK-LIGHT UNIT

 $T_a = 25 \pm 2 \text{ }^\circ\text{C}$

Item	Symbol	Min.	Typ.	Max.	Unit	Note
LED Current	I_L	-	22	-	mArms	(1)
LED Voltage	V_L	-	3.2	-	V	(1)

Note 1) Permanent damage to the device may occur if maximum values are exceeded
 Functional operation should be restricted to the conditions described under normal operating conditions.

2. OPTICAL CHARACTERISTICS

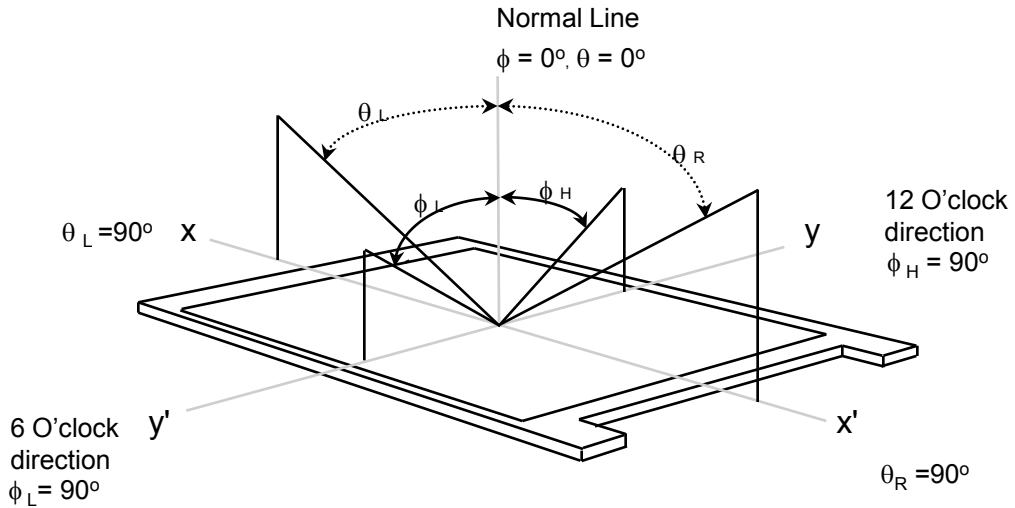
The following items are measured under stable conditions. The optical characteristics should be measured in a dark room or equivalent state with the methods shown in Note (5).
Measuring equipment : TOPCON SR-3

* Ta = 25 ± 2 °C, V_{DD}=3.3V, fv= 60Hz, fd_{CLK} = 70.7MHz, IF = 100% duty

Item	Symbol	Condition	Min.	Typ.	Max	Unit	Note	
Contrast Ratio (5 Points)	CR	Normal Viewing Angle $\phi = 0$ $\theta = 0$	300	-	-	-	(1), (2), (5)	
Response Time at Ta (Rising + Falling)	T _{RT}		-	16	25	msec	(1), (3)	
Average Luminance of White (5 Points)	Y _{L,AVE}		200	220	-	cd/m ²	IF=100% duty (1), (4)	
Color Chromaticity (CIE)	Red		R _X	Typ- 0.03	0.565	Typ +0.03	-	(1), (5) SR-3
			R _Y		0.350			
	Green		G _X		0.340			
			G _Y		0.565			
	Blue		B _X		0.155			
			B _Y		0.120			
	White		W _X		0.313			
		W _Y	0.329					
Viewing Angle	Hor.	θ_L	CR ≥ 10 At center	40	-	-	Degrees	
		θ_H		40	-	-		
	Ver.	ϕ_H		15	-	-		
		ϕ_L		30	-	-		
Color Gamut	CG	-	45	-	%			
13 Points White Variation	δ_L	-	-	2.0	-	(6)		

Samsung Secret

Note 1) Definition of Viewing Angle : Viewing angle range($10 \leq C/R$)

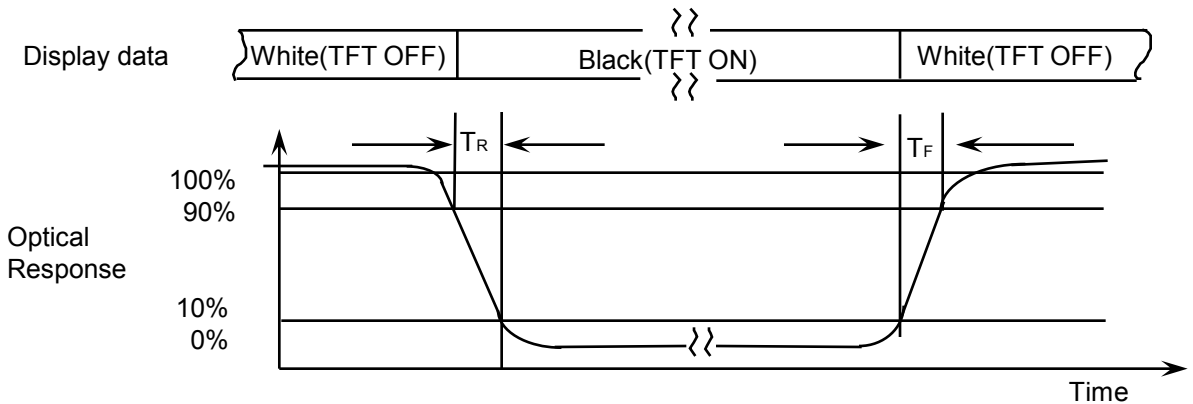


Note 2) Definition of Contrast Ratio (CR) : Ratio of gray max (Gmax), gray min (Gmin) at 5 points(4, 5, 7, 9, 10)

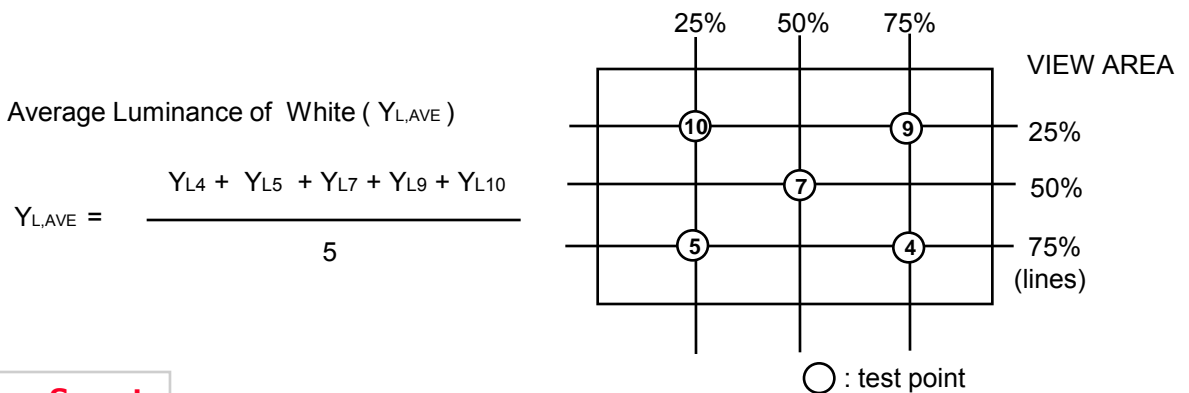
$$CR = \frac{CR(4) + CR(5) + CR(7) + CR(9) + CR(10)}{5}$$

Points : (4), (5), (7), (9), (10) at the figure of Note (6).

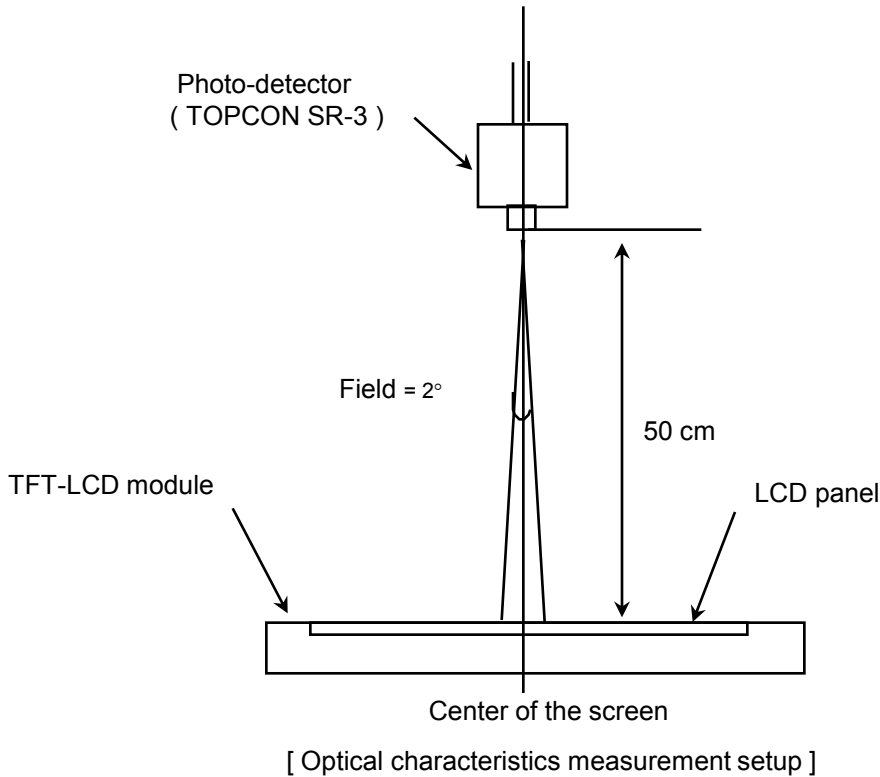
Note 3) Definition of Response time :



Note 4) Definition of Average Luminance of White : measure the luminance of white at 5 points.

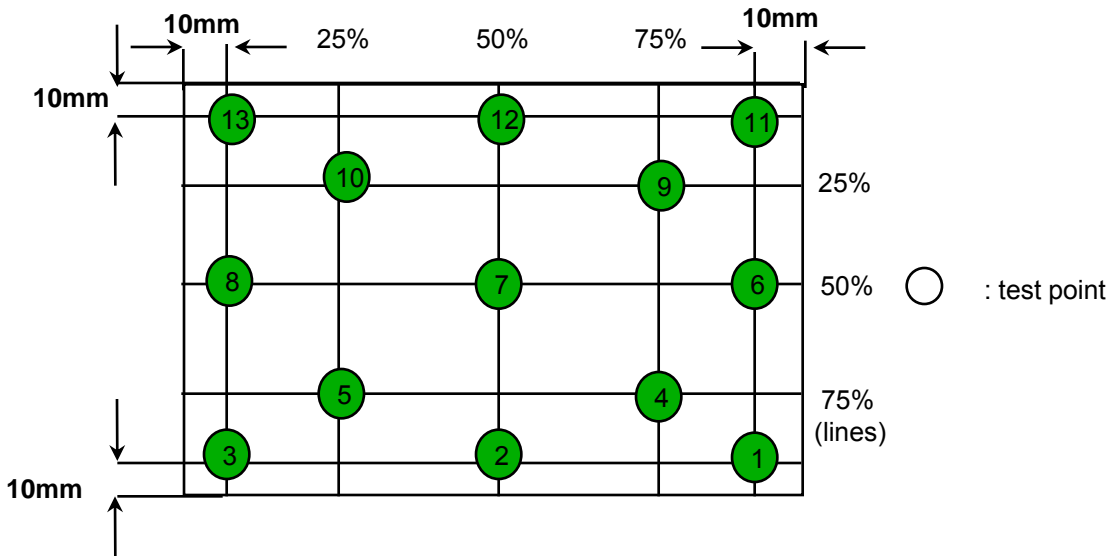


Note 5) After stabilizing and leaving the panel alone at a given temperature for 30 min , the measurement should be executed. Measurement should be executed in a stable, windless, and dark room. 30 min after lighting the backlight. This should be measured in the center of screen.
 IF current : 22mA
 Environment condition : Ta = 25 ± 2 °C



Note 6) Definition of 13 points white variation (δL), CR variation(C_{VER}) [① ~ ⑬]

$$\delta L = \frac{\text{Maximum luminance of 13 points}}{\text{Minimum luminance of 13 points}}$$



Samsung Secret

3. ELECTRICAL CHARACTERISTICS

Approval

3.1 TFT LCD MODULE

Ta= 25 ± 2°C

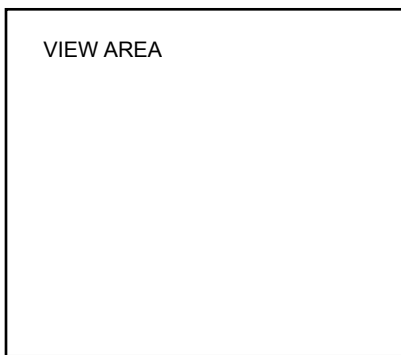
Item	Symbol	Min.	Typ.	Max.	Unit	Note	
Voltage of Power Supply	V _{DD}	3.0	3.3	3.6	V		
Differential Input Voltage for LVDS Receiver Threshold	High	V _{IH}	-	-	+100	mV	V _{CM} = +1.2V
	Low	V _{IL}	-100	-	-	mV	
Vsync Frequency	f _v	-	60	-	Hz		
Main Frequency	f _{DCLK}	67.39	70.7	105.84	MHz	-	
Rush Current	I _{RUSH}	-	-	1.5	A	(4)	
Current of Power Supply	White	IDD	-	200	-	mA	*a),b),c)
	Mosaic		-	200	250	mA	
	V.stripe		-	300	350	mA	

Note (1) Display data pins and timing signal pins should be connected.(GND = 0V)

(2) f_v = 60Hz, f_{DCLK} = 70.7MHz, V_{DD} = 3.3V , DC Current.

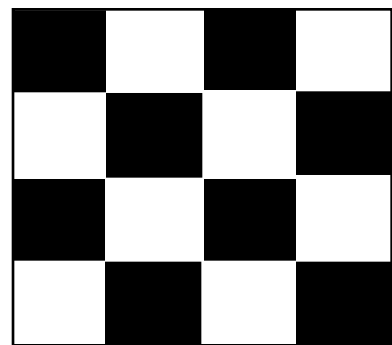
(3) Power dissipation pattern

*a) White Pattern



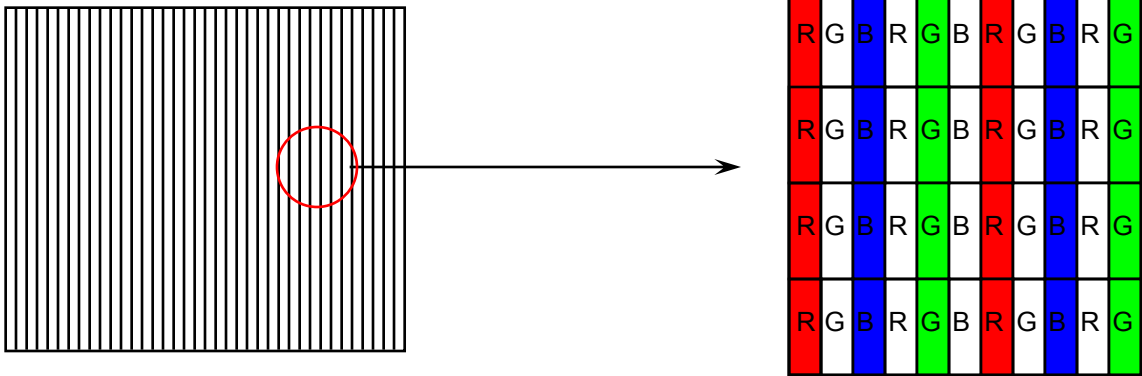
*b) Mosaic Pattern

Display Brightest Gray Level →
 Display Darkest Gray Level →

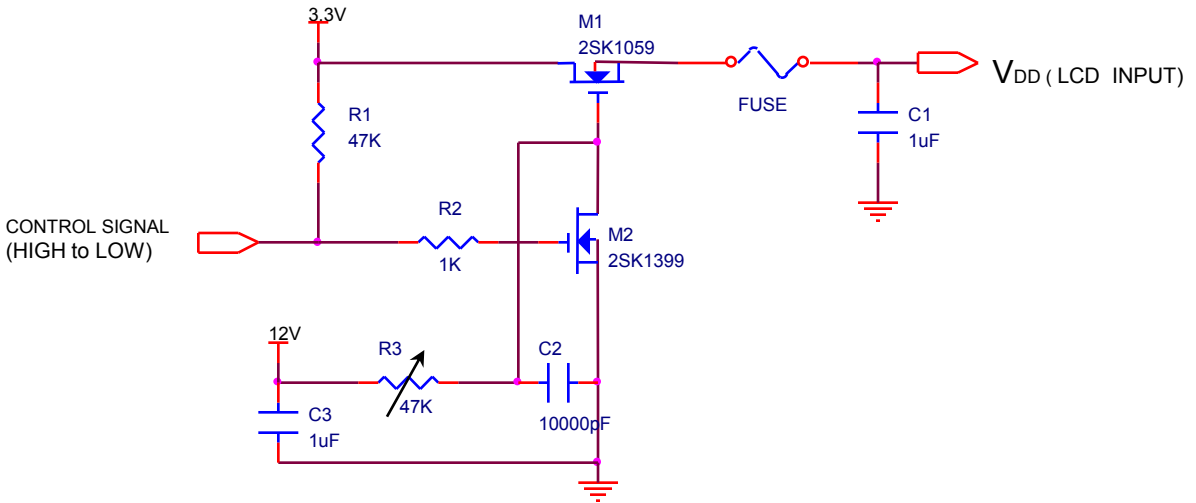


Samsung Secret

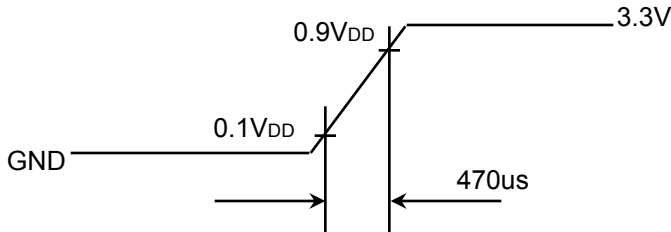
*c) 1dot Vertical stripe pattern



4) Rush current measurement condition



V_{DD} rising time is 470us



Samsung Secret

3.2 LED Driver

- On board LED Driver (Intersil)

Ta= 25 ± 2 °C

Item-	Symbol	Min.	Typ.	Max.	Unit	Note
Input Voltage	V _{in}	7	12	20	V	-
Input Current	I	-	250	-	mA	-
Power Consumption	P	-	0.7	-	W	@ 60nit
		-	3.0	3.5	W	@ Max
EN control level	ON	2.0	-	-	V	
	OFF	-	-	0.8	V	
PWM control level	ON	2.0	-	-	V	
	OFF	-	-	0.8	V	
PWM Control Duty Ratio	D	5	-	100	%	PWM freq : 200Hz~10KHz
		10	-	100		PWM freq : 1KHz~10KHz
External PWM Dimming Control Frequency (BLIM)	F _{BLIM}	0.2	1	10	kHz	
Operating Life Time	Hr	10,000	-	-	Hour	

Note (1) Life time (Hr) of LEDs can be defined as the time in which it continues to operate under the condition Ta= 25 ± 2 °C and IF = 22 mArms until one of the following event occurs.
When the brightness becomes 50% or lower than the original.

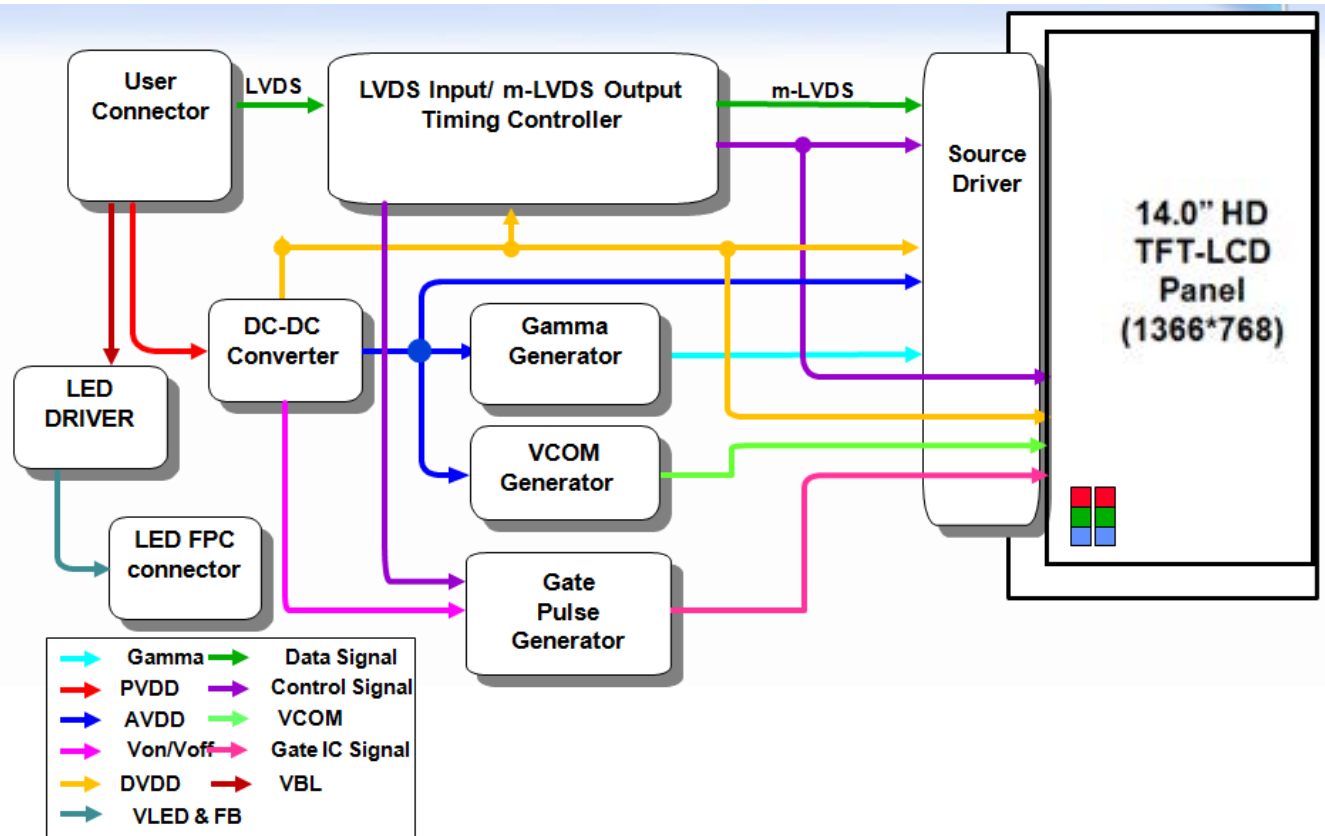
3.3 BACK-LIGHT UNIT

Ta= 25 ± 2 °C

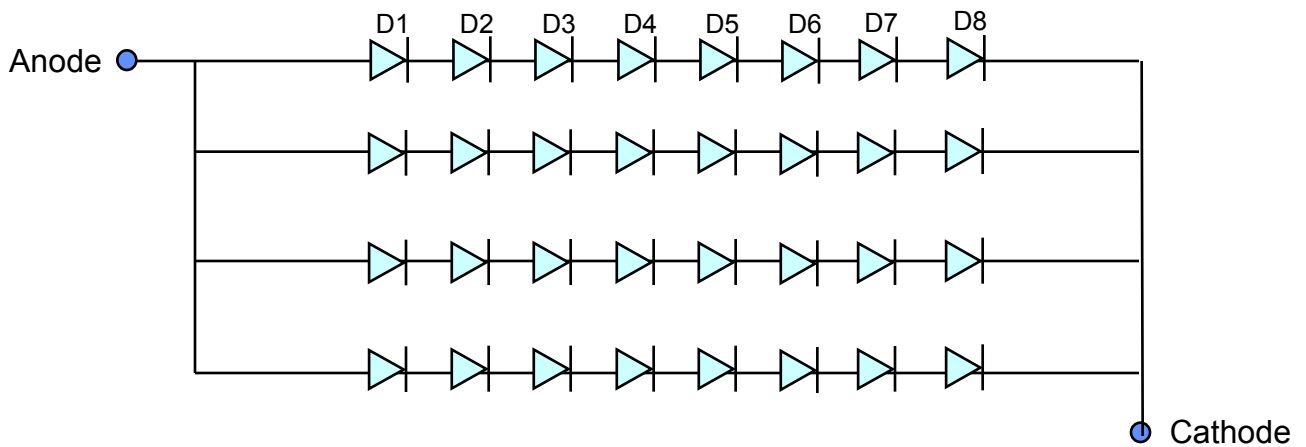
Item	Symbol	Min.	Typ.	Max.	Unit	Note
LED Forward Current	IF	-	22	-	mA	
LED Forward Voltage	VF	3.0	3.2	3.4	V	
LED Array Voltage	VP	-	25.6	-	V	VF X 8 LEDs

4. BLOCK DIAGRAM

4.1 TFT LCD Module



4.2 LED placement structure



Samsung Secret

5. INPUT TERMINAL PIN ASSIGNMENT

Approval

5.1. Input Signal & Power (LVDS, Connector : Molex 104062's or equivalent)

No.	Symbol	Function	Polarity	Remarks
1	NC	No Connection (Reserved for supplier)		
2	AVDD	Power Supply 3.3V (typical)		
3	AVDD	Power Supply 3.3V (typical)		
4	DVDD	DDC 3.3V power		
5	NC	No Connection		
6	SCL	DDC Clock		
7	SDA	DDC data		
8	RIN0-	-LVDS differential data input (R0-R5, G0)	Negative	
9	RIN0+	+LVDS differential data input (R0-R5, G0)	Positive	
10	GND	Ground		
11	RIN1-	-LVDS differential data input (G1-G5, B0-B1)	Negative	
12	RIN1+	+LVDS differential data input (G1-G5, B0-B1)	Positive	
13	GND	Ground		
14	RIN2-	-LVDS differential data input (B2-B5, HS, VS, DE)	Negative	
15	RIN2+	+LVDS differential data input (B2-B5, HS, VS, DE)	Positive	
16	GND	Ground		
17	CLK-	-LVDS differential clock input	Negative	
18	CLK+	+LVDS differential clock input	Positive	
19	GND	Ground		
20	NC	No connection		
21	NC	No connection		
22	GND	Ground		
23	NC	No connection		
24	NC	No connection		
25	GND	Ground		
26	NC	No connection		
27	NC	No connection		
28	GND	Ground		
29	NC	No Connect		
30	NC	No Connect		

Samsung Secret

No.	Symbol	Function	Polarity	Remarks
31	VSSLED	Ground – LED		
32	VSSLED	Ground – LED		
33	VSSLED	Ground – LED		
34	NC	No Connect		
35	PWM	System PWM Signal Input (+3.3V Swing)		
36	LED_EN	LED enable pin (+3.3V Input)		
37	NC	No Connect		
38	VDDLED	LED power		
39	VDDLED	LED power		
40	VDDLED	LED power		

Samsung Secret

5.2 LVDS Interface

5.2.1 LVDS DC Input

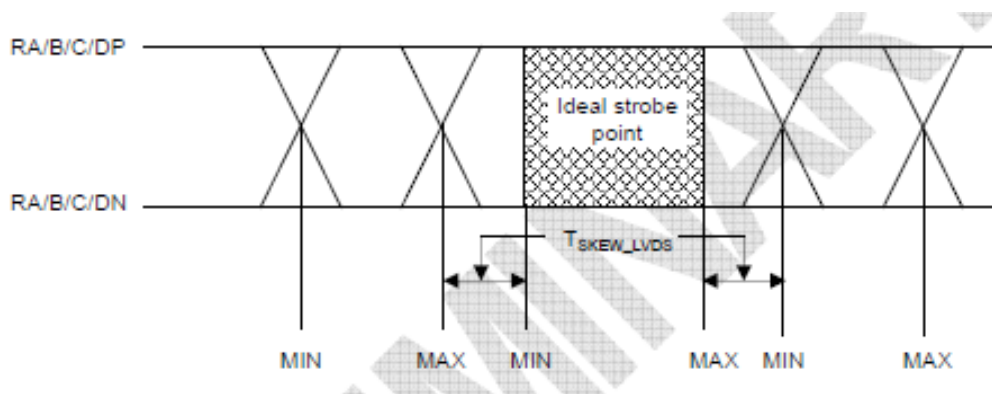
ITEM	SYMBOL	MIN.	TYP.	MAX.	UNIT	NOTE
LVDS Differential Voltage	VID	200	-	600	mV	
Input Common Mode Voltage	V _{CM}	0.4	1.2	1.7	V	



5.2.1 LVDS AC Input

ITEM	SYMBOL	MIN.	TYP.	MAX.	UNIT	NOTE	
LVDS input Clock Frequency	F _{CLK_LVDS}	30		100	Mhz		
LVDS RX skew Right margin	100MHz	T _{RSRM}	-	-	270	ps	(1),(2)
	50MHz		-	-	700	ps	(1),(2)
LVDS RX skew Left margin	100MHz		-270	-	-	ps	(1),(2)
	50MHz		-700	-	-	ps	(1),(2)
Maximum deviation of LVDS input clock during SSCG	F _{CLK_DEV}	-	-	± 3	%	(3)	
Modulating frequency of LVDS input clock during SSCG	F _{CLK_MOD}	30	-	300	KHz	(3)	

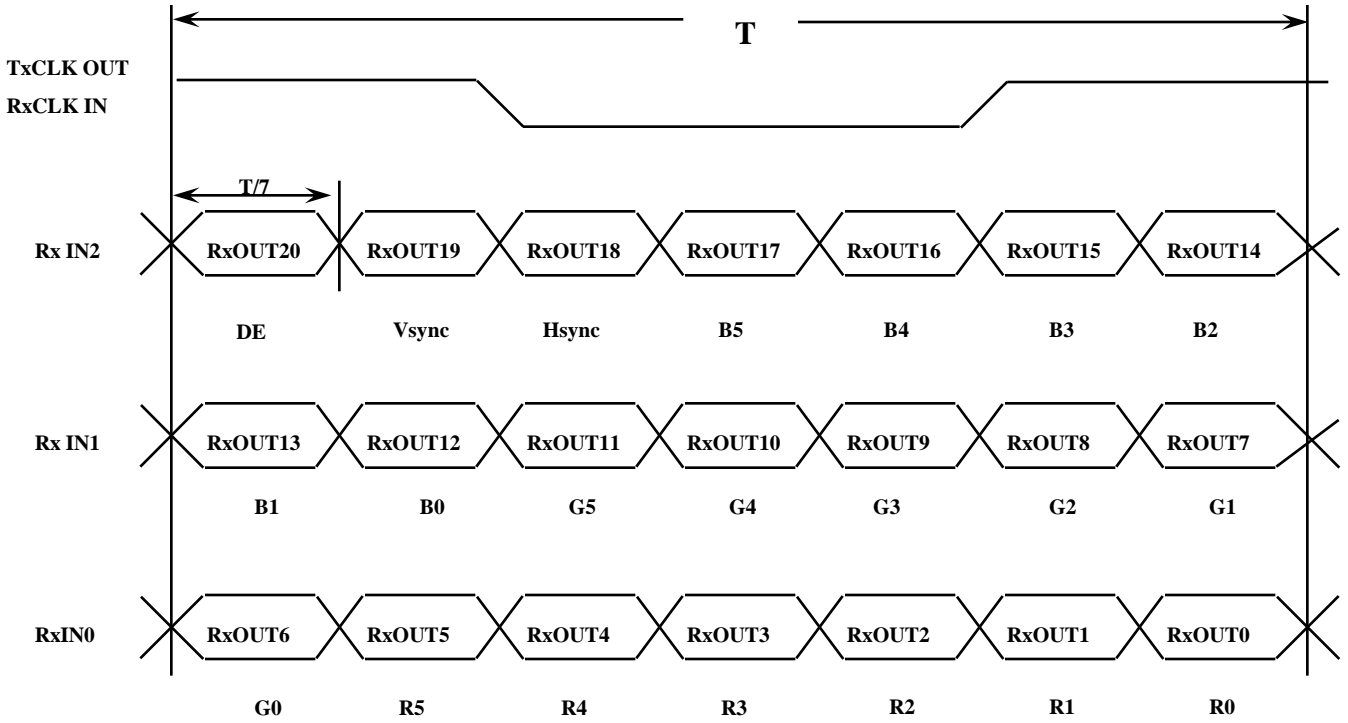
Note (1) : LVDS Receiver Skew (Strobe) Margin



Samsung Secret

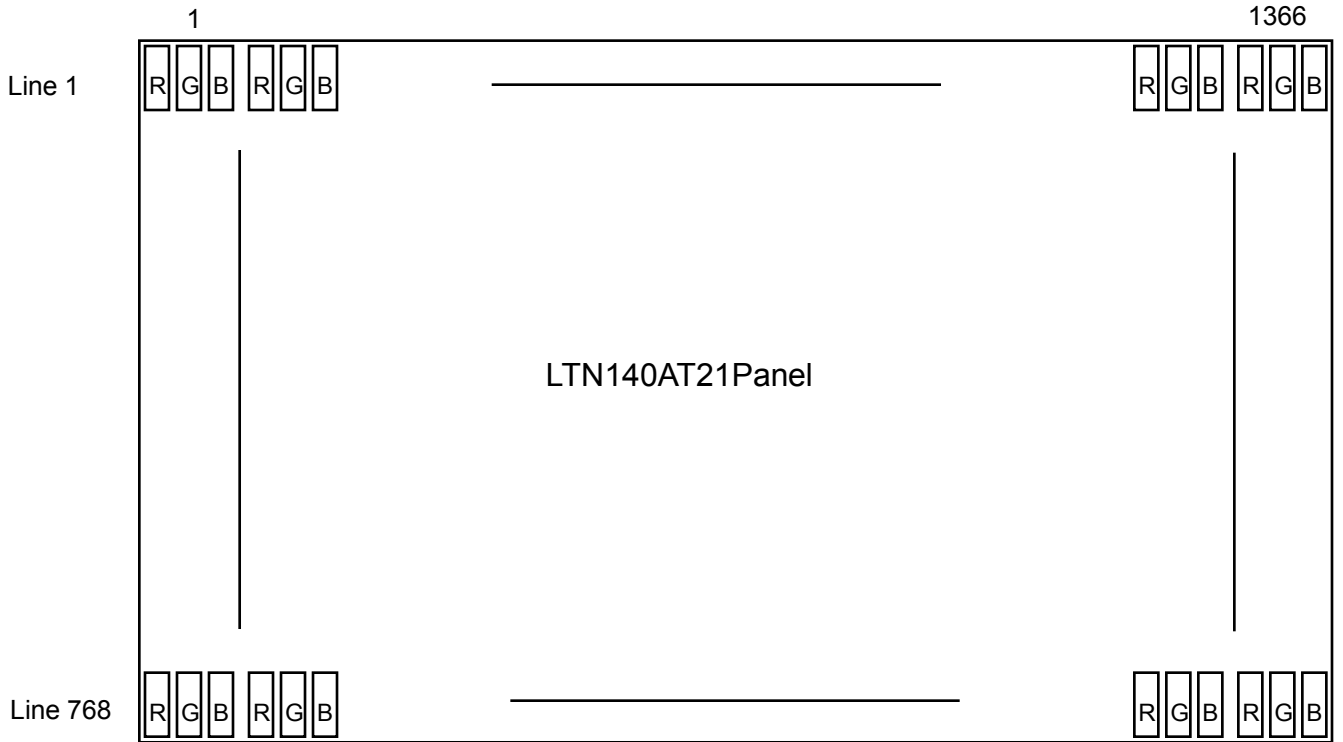
5.3 Timing Diagrams of LVDS For Transmission

LVDS Receiver : Integrated T-con



Samsung Secret

5.4 Pixel Format in the display



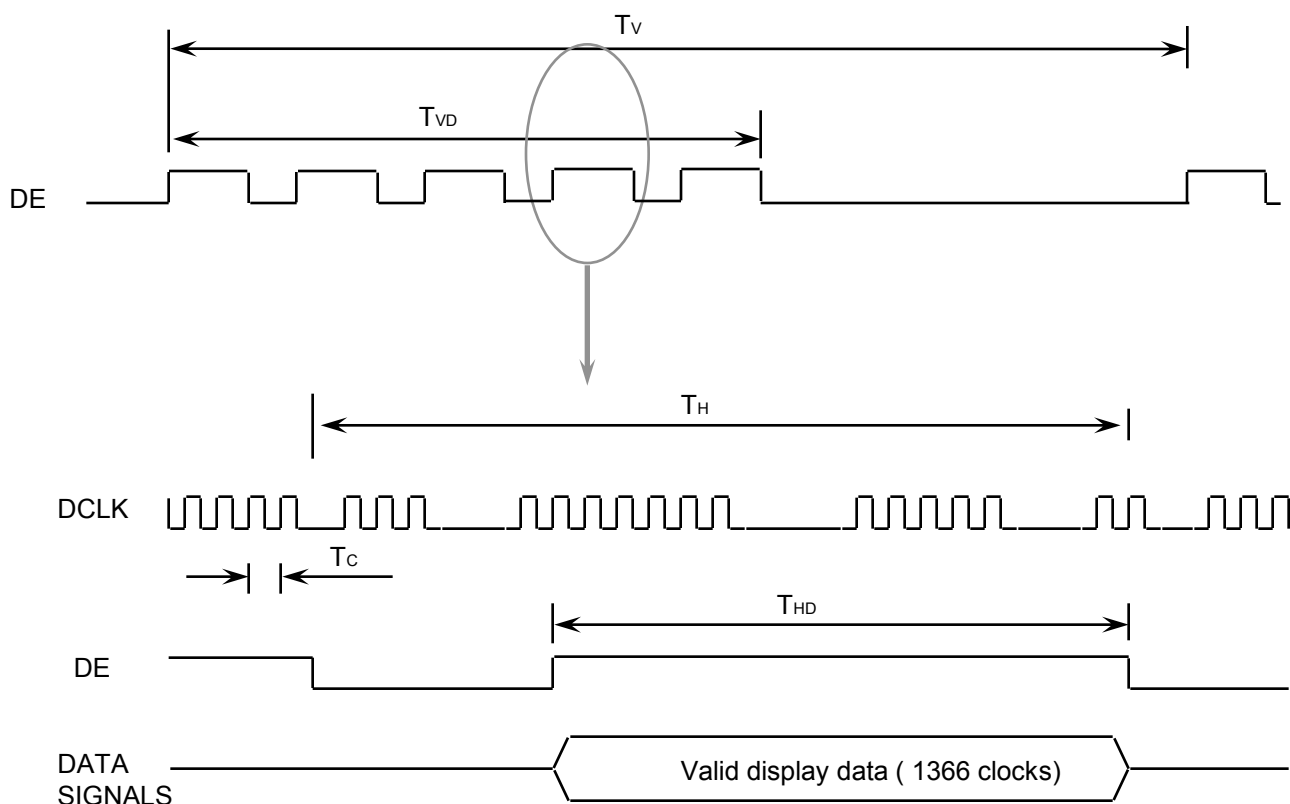
Samsung Secret

6. INTERFACE TIMING

6.1 Timing Parameters

Signal	Item	Symbol	Min.	Typ.	Max.	Unit	Note
Frame Frequency	Cycle	TV	780	790	980	Lines	
Vertical Active Display Term	Display Period	TVD	-	768	-	Lines	
One Line Scanning Time	Cycle	TH	1440	1526	1800	Clocks	
Horizontal Active Display Term	Display Period	THD	-	1366	-	Clocks	

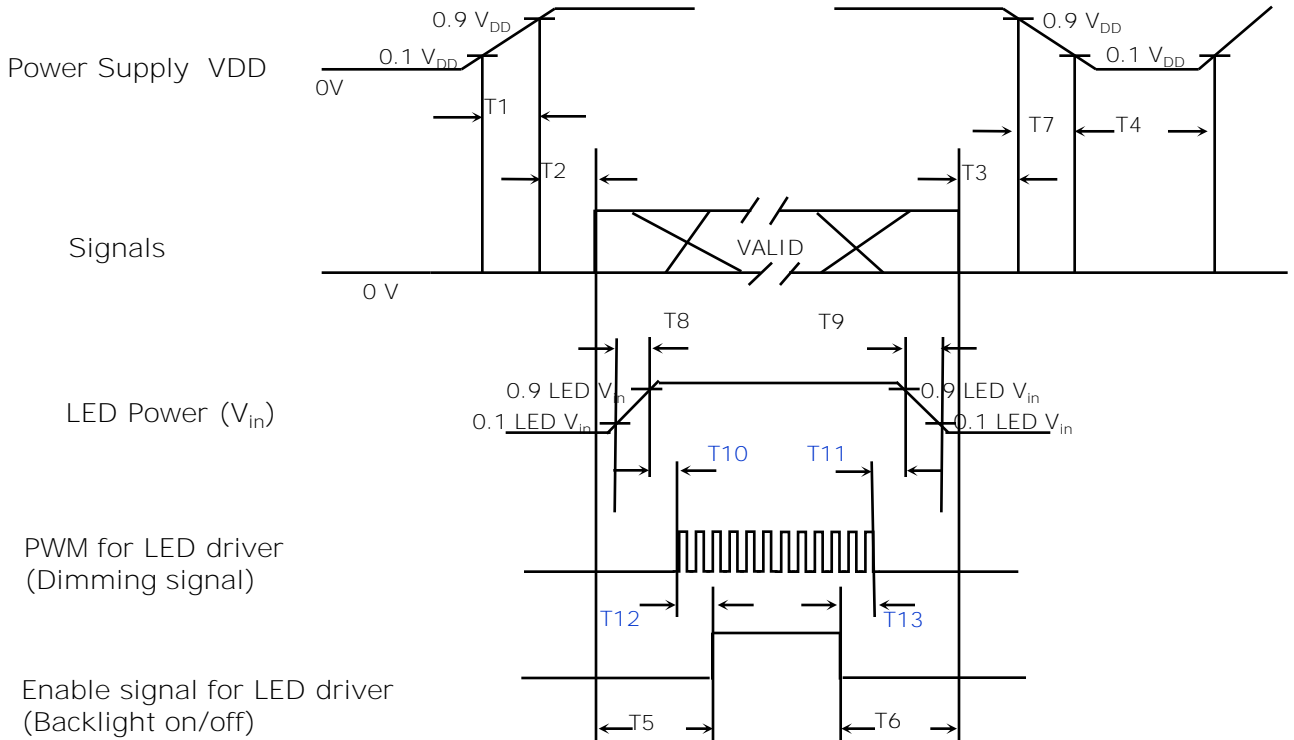
6.2 Timing diagrams of interface signal



Samsung Secret

6.3 Power ON/OFF Sequence

: To prevent a latch-up or DC operation of the LCD module, the power on/off sequence should be as the diagram below.



Power ON/OFF Sequence

Timing (ms)	Remarks
$0.5 < T1 \leq 10$	V _{DD} rising time from 10% to 90%
$0 < T2 \leq 50$	Delay from V _{DD} to valid data at power ON
$0 < T3 \leq 50$	Delay from valid data OFF to V _{DD} OFF at power Off
$500 \leq T4$	V _{DD} OFF time for Windows restart
$300 \leq T5$	Delay from valid data to B/L enable at power ON
$200 \leq T6$	Delay from valid data off to B/L disable at power Off
$0 < T7 \leq 10$	V _{DD} falling time from 90% to 10%
$0.5 < T8 \leq 10$	LED V _{in} rising time from 10% to 90%
$0.5 < T9 \leq 10$	LED V _{in} falling time from 90% to 10%
$0 \leq T10$	Delay from LED driver Vin rising time 90% to PWM ON
$0 \leq T11$	Delay from PWM Off to LED driver Vin falling time 10%, Must Keep rule
$0 \leq T12$	Delay from PWM ON to B/L Enable ON, Must Keep rule
$0 \leq T13$	Delay from B/L Enable Off to PWM Off

Power Sequence & Timing Parameters

Samsung Secret

NOTE.

- (1) The supply voltage of the external system for the module input should be the same as the definition of V_{DD} .
- (2) Apply the lamp voltage within the LCD operation range. When the back-light turns on before the LCD operation or the LCD turns off before the back-light turns off, the display may momentarily become white.
- (3) In case of $V_{DD} = \text{off level}$, please keep the level of input signals on the low or keep a high impedance.
- (4) T_4 should be measured after the module has been fully discharged between power off and on period.
- (5) Interface signal shall not be kept at high impedance when the power is on.

7. Mechanical Outline Dimension

Approval

Refer to the next page

Samsung Secret

Doc.No.

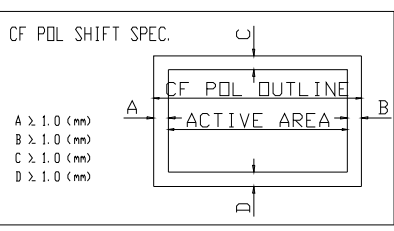
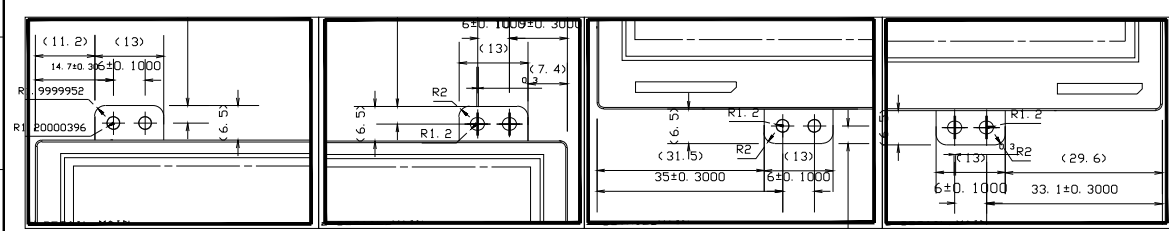
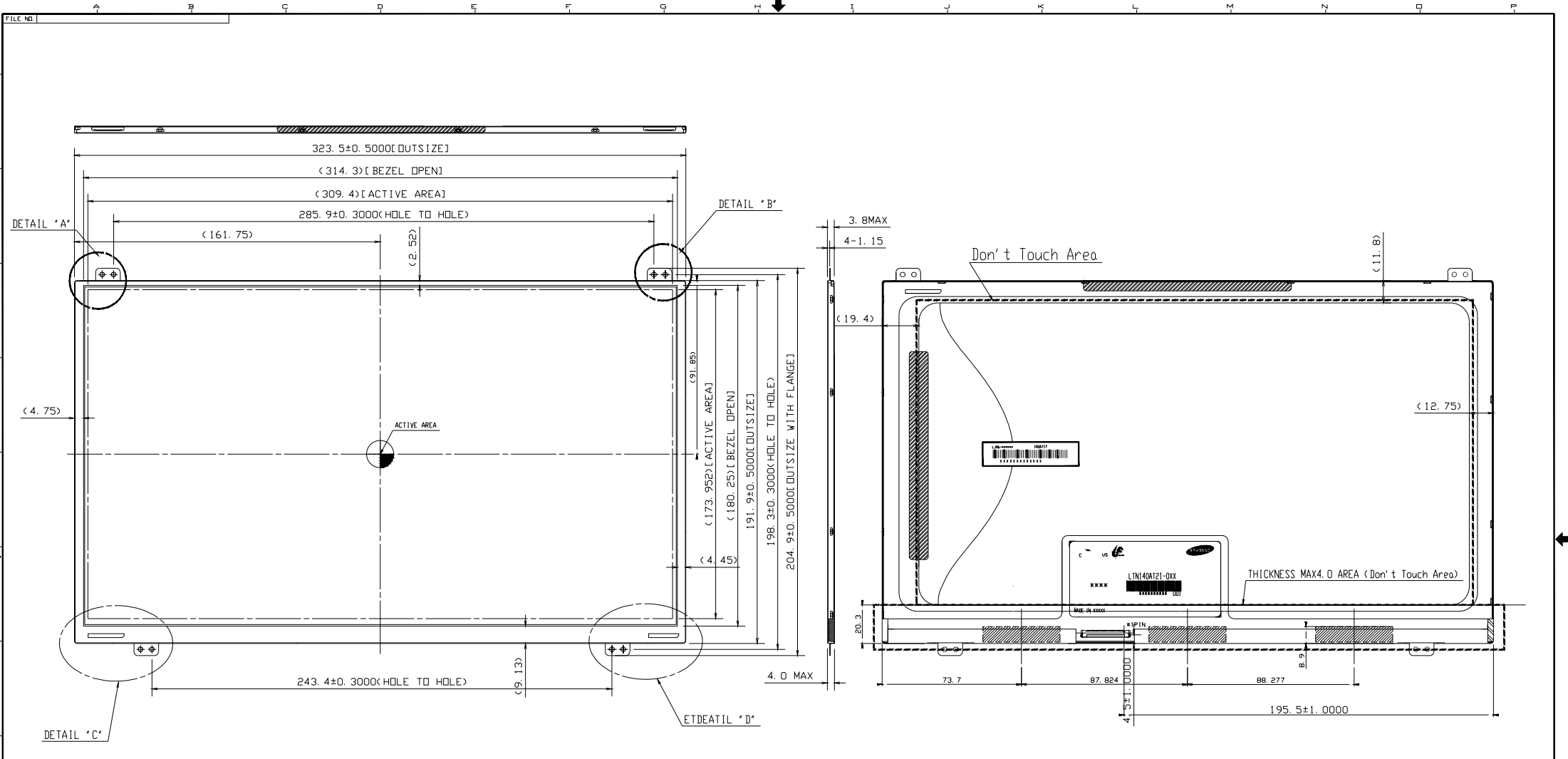
LTN140AT21-W

Rev.No

04-A00-G-111011

Page

22 / 31



* NOTE

- SIGNAL INTERFACE CONNECTOR TO BE SPECIFIED AS BELOW.
 - PART NO./MAKER : 20455-040E-02R / I-PEX
- THICKNESS MEASURING FORCE : 750gf
- WEIGHT : 355g MAX
- In order to avoid IC damage, it is not allow that overlapping of cables or antennas, camera, WLAN, WWAN over these CDF location

REV	STEP	GENERAL TOLERANCE			REV	DATE	DESCRIPTION OF REVISION				REASON	CHG'D BY
		LEVEL 1	LEVEL 2	LEVEL 3			UNIT	BRN'N BY	DES'D BY	CHK'D BY		
1	0-3 & 4	±0.2	±0.1	±0.05								
2	4 & 5 & 10	±0.08	±0.05	±0.03								
3	10 & 9 & 14	±0.12	±0.05	±0.03								
4	14 & 3 & 20	±0.25	±0.1	±0.05								
GENERAL TOLERANCE					20.5	09.08.04						
SAMSUNG ELECTRONICS							SPEC. NO.					
										PART/SHEET NAME	LTN140AT21-601/T01	SHEET 1/1
										CODE NO.	VER. 000	

8. PACKING

1. CARTON(Internal Package)

(1) Packing Form

Corrugated fiberboard box and corrupad form as shock absorber

(2) Packing Method



- Note 1) Total Weight : Approximately 15.4 kg
 2) Acceptance number of piling : 36 sets
 3) Carton size : 373(W) × 410(D) × 239(H)

Samsung Secret

(3)Packing Material

No	Part name	Quantity
1	Static electric protective sack	36
2	Trap (inner Box)	9
3	Rib	10
4	Carton	1 set

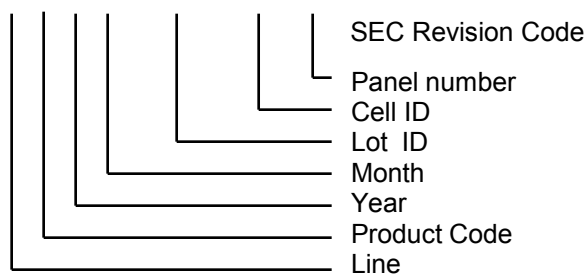
9. MARKINGS & OTHERS

A nameplate bearing followed by is affixed to a shipped product at the specified location on each product.

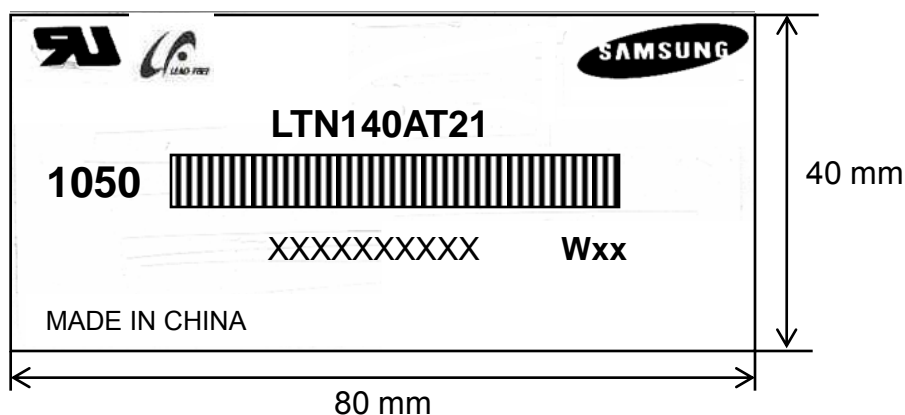
(1)Parts number : LTN140AT21

(2)Revision code : 3 letters

(3)Lot number : X X X X XXX XX X **Wxx**



(5) Nameplate Indication



Parts name : LTN140AT21
 Lot number : XXXXXXXXXXX
 Inspected work week : 1050(2010 year, 50nd week)

Samsung Secret

10. GENERAL PRECAUTIONS

Approval

1. Handling

- (a) When the module is assembled, It should be attached to the system firmly using every mounting holes. Be careful not to twist and bend the modules.
- (b) Refrain from strong mechanical shock and / or any force to the module. In addition to damage, this may cause improper operation or damage to the module and CCFT back-light.
- (c) Note that polarizers are very fragile and could be easily damaged. Do not press or scratch the surface harder than a HB pencil lead.
- (d) Wipe off water droplets or oil immediately. If you leave the droplets for a long time, Staining and discoloration may occur.
- (e) If the surface of the polarizer is dirty, clean it using some absorbent cotton or soft cloth.
- (f) The desirable cleaners are water, IPA (Isopropyl Alcohol) or Hexane. Do not use Ketone type materials(ex. Acetone), Ethyl alcohol, Toluene, Ethyl acid or Methyl chloride. It might permanent damage to the polarizer due to chemical reaction.
- (g) If the liquid crystal material leaks from the panel, it should be kept away from the eyes or mouth . In case of contact with hands, legs or clothes, it must be washed away thoroughly with soap.
- (h) Protect the module from static , it may cause damage to the C-MOS Gate Array IC.
- (i) Use fingerstalls with soft gloves in order to keep display clean during the incoming inspection and assembly process.
- (j) Do not disassemble the module.
- (k) Do not pull or fold the lamp wire.
- (l) Do not adjust the variable resistor which is located on the back side.
- (m) Protection film for polarizer on the module shall be slowly peeled off just before use so that the electrostatic charge can be minimized.
- (n) Pins of I/F connector shall not be touched directly with bare hands.

Samsung Secret

2. STORAGE

- (a) Do not leave the module in high temperature, and high humidity for a long time. It is highly recommended to store the module with temperature from 5 to 40 °C and relative humidity of less than 70%.
- (b) Do not store the TFT-LCD module under the direct sunlight.
- (c) The module shall be stored in a dark place. It is prohibited to apply sunlight or fluorescent light during storage.
- (d) Storage period is recommended not to exceed 1 year.

3. OPERATION

- (a) Do not connect,disconnect the module in the “ Power On” condition.
- (b) Power supply should always be turned on/off by following item 6.3 “ Power on/off sequence “.
- (c) Module has high frequency circuits. Sufficient suppression to the electromagnetic interference shall be done by system manufacturers. Grounding and shielding methods may be important to minimize the interference.
- (d) The standard limited warranty is only applicable when the module is used for general notebook applications. If used for purposes other than as specified, SEC is not to be held reliable for the defective operations. It is strongly recommended to contact SEC to find out fitness for a particular purpose.

4. OTHERS

- (a) Ultra-violet ray filter is necessary for outdoor operation.
- (b) Avoid condensation of water. It may result in improper operation or disconnection of electrode.
- (c) Do not exceed the absolute maximum rating value. (the supply voltage variation, input voltage variation, variation in part contents and environmental temperature, so on) Otherwise the module may be damaged.
- (d) If the module displays the same pattern continuously for a long period of time,it can be the situation when the image “sticks” to the screen.
- (e) This module has its circuitry PCB's on the rear side and should be handled carefully in order not to be stressed.

Samsung Secret

11. EDID

Approval

Address (HEX)	FUNCTION	Value	BIN	DEC	ASCII or Data	Notes
		HEX				
00	Header	00	00000000	0		EDID Header
01		FF	11111111	255		
02		FF	11111111	255		
03		FF	11111111	255		
04		FF	11111111	255		
05		FF	11111111	255		
06		FF	11111111	255		
07		00	00000000	0		
08	ID Manufacturer Name	4C	01001100	76	S	3 character ID
09		A3	10100011	163	E C	"SEC"
0A	ID Product Code	49	01001001	73	[I]	
0B		36	00110110	54	[6]	
0C	32-bit serial no.	00	00000000	0		
0D		00	00000000	0		
0E		00	00000000	0		
0F		00	00000000	0		
10	Week of manufacture	00	00000000	0		
11	Year of manufacture	15	00010101	21	2011	2011
12	EDID Structure Ver.	01	00000001	1	1	EDID Ver. 1.0
13	EDID revision #	03	00000011	3	3	EDID Rev. 3
14	Video input definition	80	10000000	128		
15	Max H image size	1F	00011111	31	31	31 cm(approx)
16	Max V image size	11	00010001	17	17	17 cm(approx)
17	Display Gamma	78	01111000	120	2.2	Gamma 2.2
18	Feature support	0A	00001010	10		
19	Red/green low bits	E3	11100011	227		10000111
1A	Blue/white low bits	F5	11110101	245		11111110
1B	Red x/ high bits	90	10010000	144	0.565	Red x 0.615= 1001010010
1C	Red y	59	01011001	89	0.350	Red y 0.325= 0101011100
1D	Green x	57	01010111	87	0.340	Green x 0.300= 0100111101
1E	Green y	90	10010000	144	0.565	Green y 0.570= 1000110011
1F	Blue x	27	00100111	39	0.155	Blue x 0.145= 0010011111
20	Blue y	1E	00011110	30	0.120	Blue y 0.080= 0010011111
21	White x	50	01010000	80	0.313	White x 0.313= 0101000001
22	White y	54	01010100	84	0.329	White y 0.329= 0101010001
23	Established timing 1	00	00000000	0		
24	Established timing 2	00	00000000	0		
25	Established timing 3	00	00000000	0		
26	Standard timing #1	01	00000001	1		not used
27		01	00000001	1		
28	Standard timing #2	01	00000001	1		not used
29		01	00000001	1		

Samsung Secret

2A	Standard timing #3	01	00000001	1		not used
2B		01	00000001	1		
2C	Standard timing #4	01	00000001	1		not used
2D		01	00000001	1		
2E	Standard timing #5	01	00000001	1		not used
2F		01	00000001	1		
30	Standard timing #6	01	00000001	1		not used
31		01	00000001	1		
32	Standard timing #7	01	00000001	1		not used
33		01	00000001	1		
34	Standard timing #8	01	00000001	1		not used
35		01	00000001	1		
36	Detailed timing/monitor descriptor #1	9E	10011110	158	70.7	Main clock= 70.44 MHz
37		1B	00011011	27		
38		56	01010110	86	1366	Hor active=1366 pixels
39		78	01111000	120	120	Hor blanking=160 pixels
3A		50	01010000	80		4bit : 4bit
3B		00	00000000	0	768	Vertical active=768 lines
3C		18	00011000	24	24	Vertical blanking=22 lines
3D		30	00110000	48		4bit : 4bit
3E		30	00110000	48	48	
3F		20	00100000	32	32	H sync. Width=32 pixels
40		25	00100101	37	2	V sync. Offset=2 lines
					5	V sync. Width=5 lines
41		00	00000000	0		2bit : 2bit :2bit :2bit
42		35	00110101	53	309	H image size= 309 mm(approx)
43		AE	10101110	174	174	V image size = 173 mm(approx)
44		10	00010000	16		
45		00	00000000	0		No Horizontal Border
46		00	00000000	0		No Vertical Border
47		19	00011001	25		
48		00	00000000	0		Manufacturer Specified (Timing)
49	00	00000000	0			
4A	00	00000000	0			
4B	0F	00001111	15			
4C	00	00000000	0			
4D	00	00000000	0		Value=HSPWmin / 2	
4E	00	00000000	0		Value=HSPWmax / 2	
4F	00	00000000	0		Value=Thbpmin / 2	
50	00	00000000	0		Value=Thbpmax / 2	
51	00	00000000	0		Value=VSPWmin / 2	
52	00	00000000	0		Value=VSPWmax / 2	
53	00	00000000	0		Value=Tvbpmin / 2	
54	00	00000000	0		Value=Tvbpmax / 2	
55	1E	00011110	30		Thpmin=value*2 + HA pixelclks	
56	B4	10110100	180		Thpmax=value*2 + HA pixelclks	
57	02	00000010	2		Tvpmin=value*2 + VA lines	
58	74	01110100	116		Tvpmax=value*2 + VA lines	
59	00	00000000	0		Module revision	

Samsung Secret

5A	Detailed timing/monitor descriptor #3	00	00000000	0		ASCII Data String Tag		
5B		00	00000000	0				
5C		00	00000000	0				
5D		FE	11111110	254				
5E		00	00000000	0				
5F		53	01010011	83	[S]			
60		41	01000001	65	[A]			
61		4D	01001101	77	[M]			
62		53	01010011	83	[S]			
63		55	01010101	85	[U]			
64		4E	01001110	78	[N]			
65		47	01000111	71	[G]			
66		0A	00001010	10	[*]			
67		20	00100000	32	[]			
68		20	00100000	32	[]			
69		20	00100000	32	[]			
6A		20	00100000	32	[]			
6B		20	00100000	32	[]			
6C		Detailed timing/monitor descriptor #4	00	00000000	0			Monitor Name Tag (ASCII)
6D			00	00000000	0			
6E	00		00000000	0				
6F	FE		11111110	254				
70	00		00000000	0				
71	4C		01001100	76	[L]			
72	54		01010100	84	[T]			
73	4E		01001110	78	[N]			
74	31		00110001	49	[1]			
75	34		00110100	52	[4]			
76	30		00110000	48	[0]			
77	41		01000001	65	[A]			
78	54		01010100	84	[T]			
79	32		00110010	50	[2]			
7A	31		00110001	49	[1]			
7B	30		00110000	48	[0]			
7C	0A	00001010	10	[*]				
7D	20	00100000	32	[*]				
7E	Extension Flag	00	00000000	0				
7F	Checksum	1C	00011100	28				