

# W66881CF



## VFD CONTROLLER/DRIVER

### GENERAL DESCRIPTION

The W66881CF is a VFD (Vacuum Fluorescent Display) controller/driver. It has two operation configurations: (1) 8x16 Configuration which replaces the W66880CF without the necessity of changing the original driver program for W66880CF, and (2) 8x20 Configuration which provides more segment drivers, and can be programmed to drive a VFD from 4 grids by 20 segments to 8 grids by 18 segments.

The W66881CF also includes a 24-key key scan circuit, four LED ports and four general purpose input ports. Data communication with the W66881CF is via a serial interface.

### FEATURES

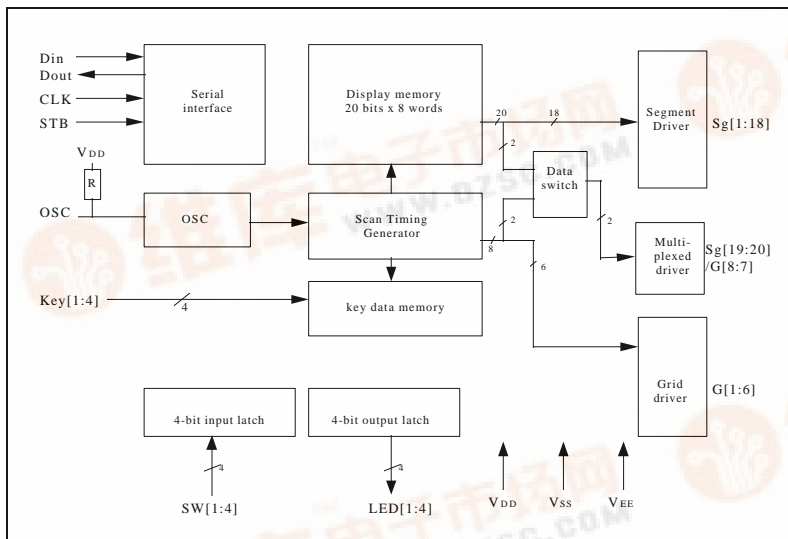
- Flexible display modes (4 to 8 grids)
  - 4 grids x 20 segments to 8 grids x 18 segments
- 6 x 4 matrix key scanning

- 8 steps dimming circuit
- High voltage output ( $V_{DD} - V_{EE} = 30V \text{ max}$ )
- Four 15 mA LED ports
- Four general-purpose input port
- Internal driver output pull-down resistors
- Only one external resistor is needed for the on chip oscillator
- Simple serial interface
- Driver program compatible with W66880CF's (8x16 only)
- 48-pin PQFP

### APPLICATIONS

- VFD display driving and panel function control
- Applicable to FUTABA Standardized VFD Panel
  - Part#: 6-BT-265GK and 6-BT-267GK, both 6 grids x 16 segments, for VCD Player
  - Part#: 25u48109BAN, 6 grids x 19 segments, for DVD Player

### Functional Block (8x20 configuration)



### Pin Configuration

