

## 2M218 SERIES

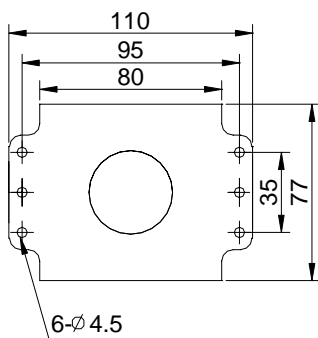
### 1. ELECTRICAL CHARACTERISTICS

Peak anode voltage (ebm)	4.0kV
Average anode current (Ib)	300mA <sub>dc</sub>
Average output power (Po)	900W
Frequency (fo)	2458MHz
Filament voltage(Ef)	3.3V
Weight	760g
Typical oven power by IEC method	600~800W

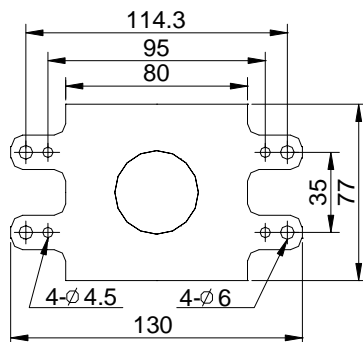


### 2. VARIATION OF MOUNTING YOKE FOR FITTING INTO MICROWAVE OVEN

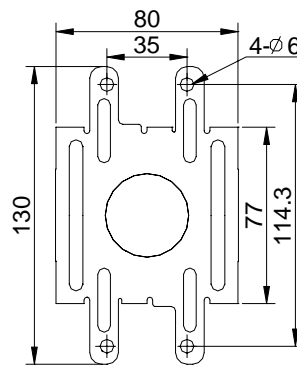
720



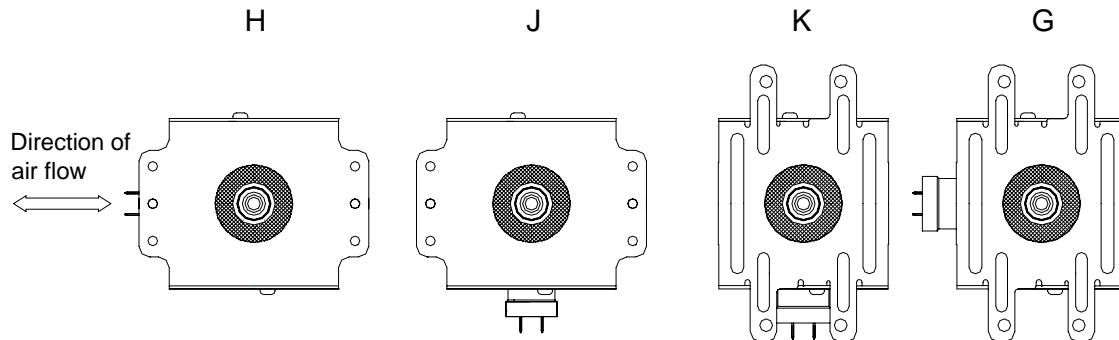
730



740

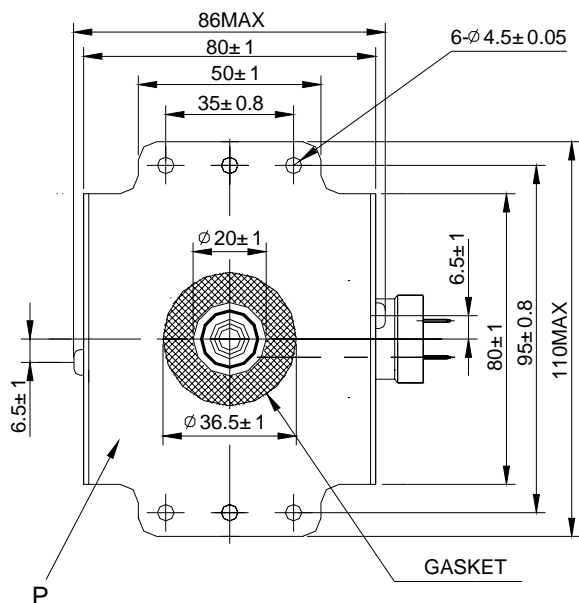


### 3. OPTIONS(Mounting plate and direction of filament terminal)

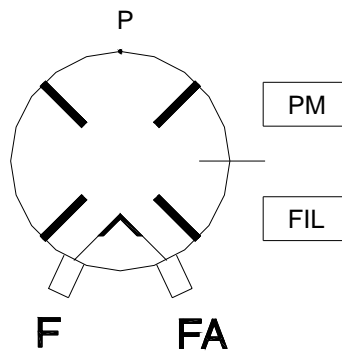


## 2M218 SERIES

### DIMENSIONAL OUTLINE



UNIT : mm



Note ( 1 ) Temperature to be measured at the outlet side of airflow

